



US00D626178S

(12) **United States Design Patent**
Hsu et al.

(10) **Patent No.:** **US D626,178 S**

(45) **Date of Patent:** **** Oct. 26, 2010**

(54) **BOOK SUPPORT DEVICE**

(76) Inventors: **Shih-Hsiang Hsu**, Fl. 3, No. 145,
Zong-Her Street, Hualien (TW); **Eric C. Luo**, 6833 Saint Lawrence St., Plano, TX
(US) 75024

(**) Term: **14 Years**

(21) Appl. No.: **29/303,540**

(22) Filed: **Feb. 11, 2008**

(51) **LOC (9) Cl.** **19-02**

(52) **U.S. Cl.** **D19/91**

(58) **Field of Classification Search** D6/310,
D6/419, 429; D19/86, 90, 91, 92; 211/42,
211/43; 248/441.1, 444, 445, 448, 451, 452,
248/453, 454, 455, 460, 463, 464; 281/45

See application file for complete search history.

(56) **References Cited**

U.S. PATENT DOCUMENTS

2,834,149	A *	5/1958	Hunter et al.	248/445
3,863,882	A *	2/1975	Hatcher	248/453
3,952,989	A *	4/1976	Bannister Hatcher	248/453
D251,648	S *	4/1979	Graviner	D6/574
4,470,571	A *	9/1984	Hartman	248/452
4,531,642	A *	7/1985	Racich	211/42
5,651,524	A *	7/1997	Calfee	248/442.2
5,720,465	A *	2/1998	Peltzer et al.	248/453
5,829,787	A *	11/1998	Newhouse, Jr.	281/46
6,015,129	A *	1/2000	Harrigan	248/444
6,513,779	B2 *	2/2003	Halpin	248/451
D520,566	S *	5/2006	Chang	D19/91

D533,597 S * 12/2006 Linyear et al. D19/91

* cited by examiner

Primary Examiner—Elizabeth A Albert

(74) *Attorney, Agent, or Firm*—Winstead PC

(57) **CLAIM**

The ornamental design for the book support device, as shown and described.

DESCRIPTION

FIG. 1 is a perspective view from above of a book support device in accordance with our design;

FIG. 2 is a front view of the book support device in accordance with our design;

FIG. 3 is a rear view of the book support device in accordance with our design;

FIG. 4 is a top plan view of the book support device in accordance with our design;

FIG. 5 is a bottom plan view of the book support device in accordance with our design;

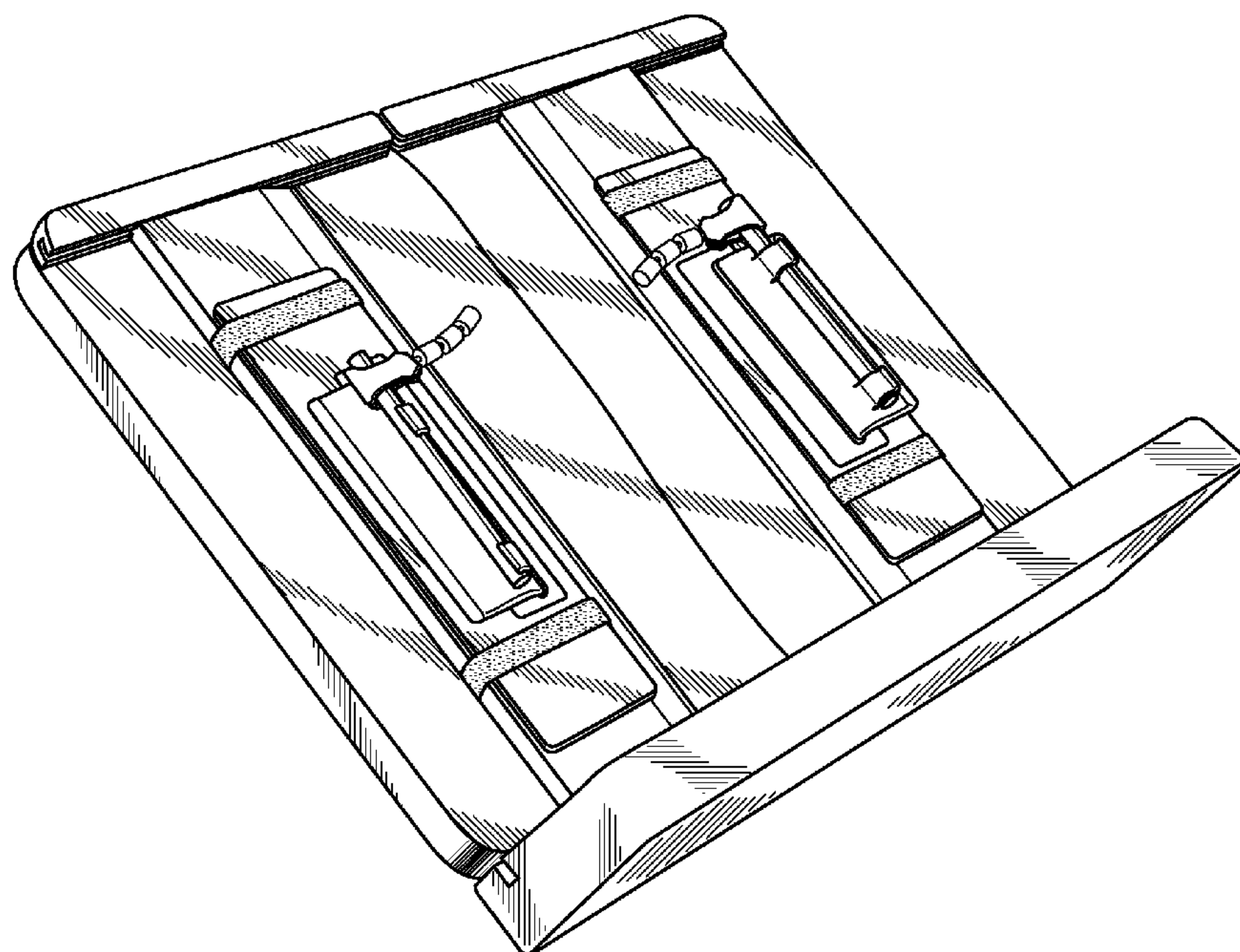
FIG. 6 is a side view of the book support device in accordance with our design; and,

FIG. 7 is an opposite side view of the book support device from that shown in FIG. 6 in accordance with our design.

The broken lines showing features on the bottom are included for the purpose of illustrating environment and form no part of the claimed design.

The stippling shown on the bands in FIGS. 1, 4, 6, and 7 represents a surface texture and is part of the claimed design.

1 Claim, 2 Drawing Sheets



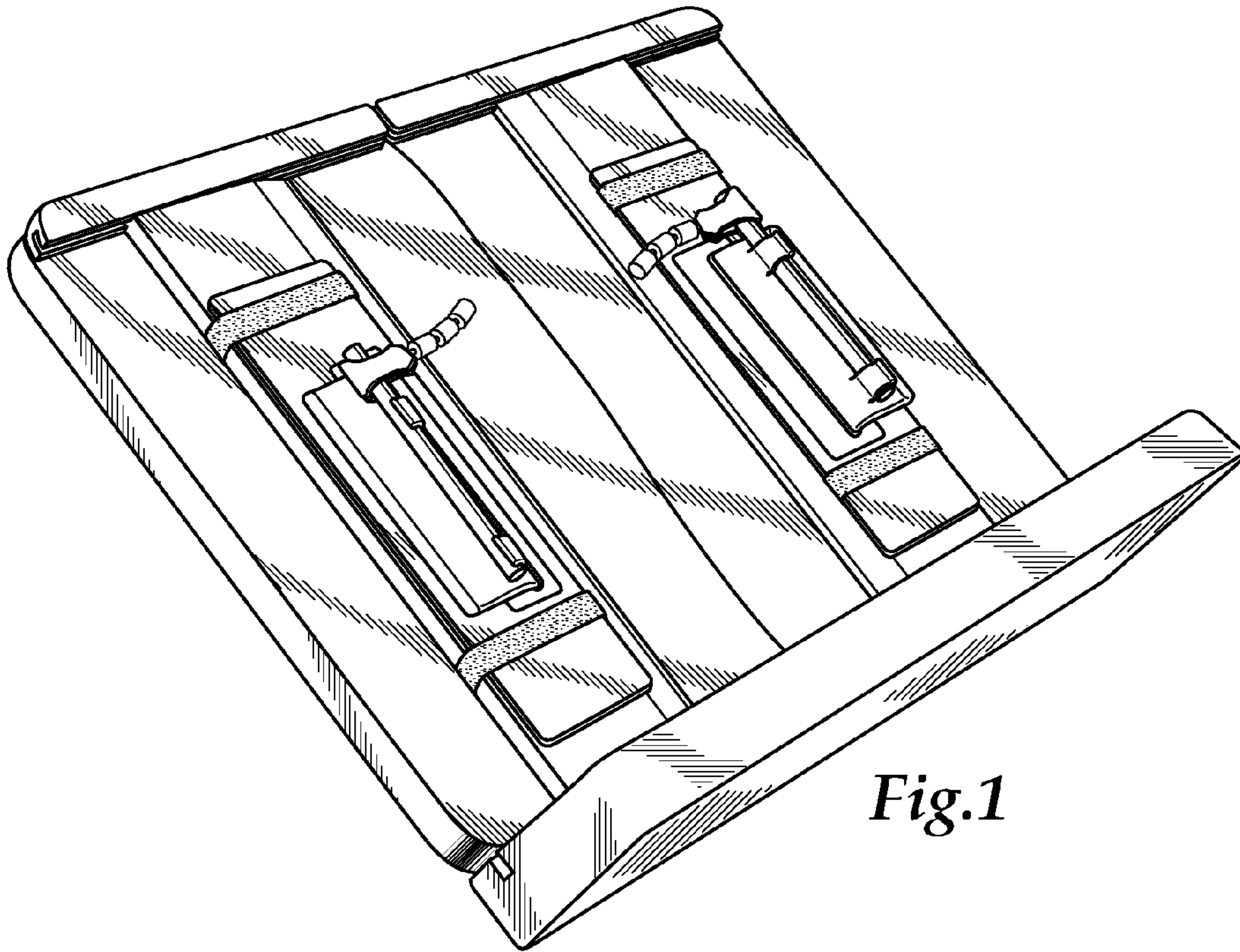


Fig.1

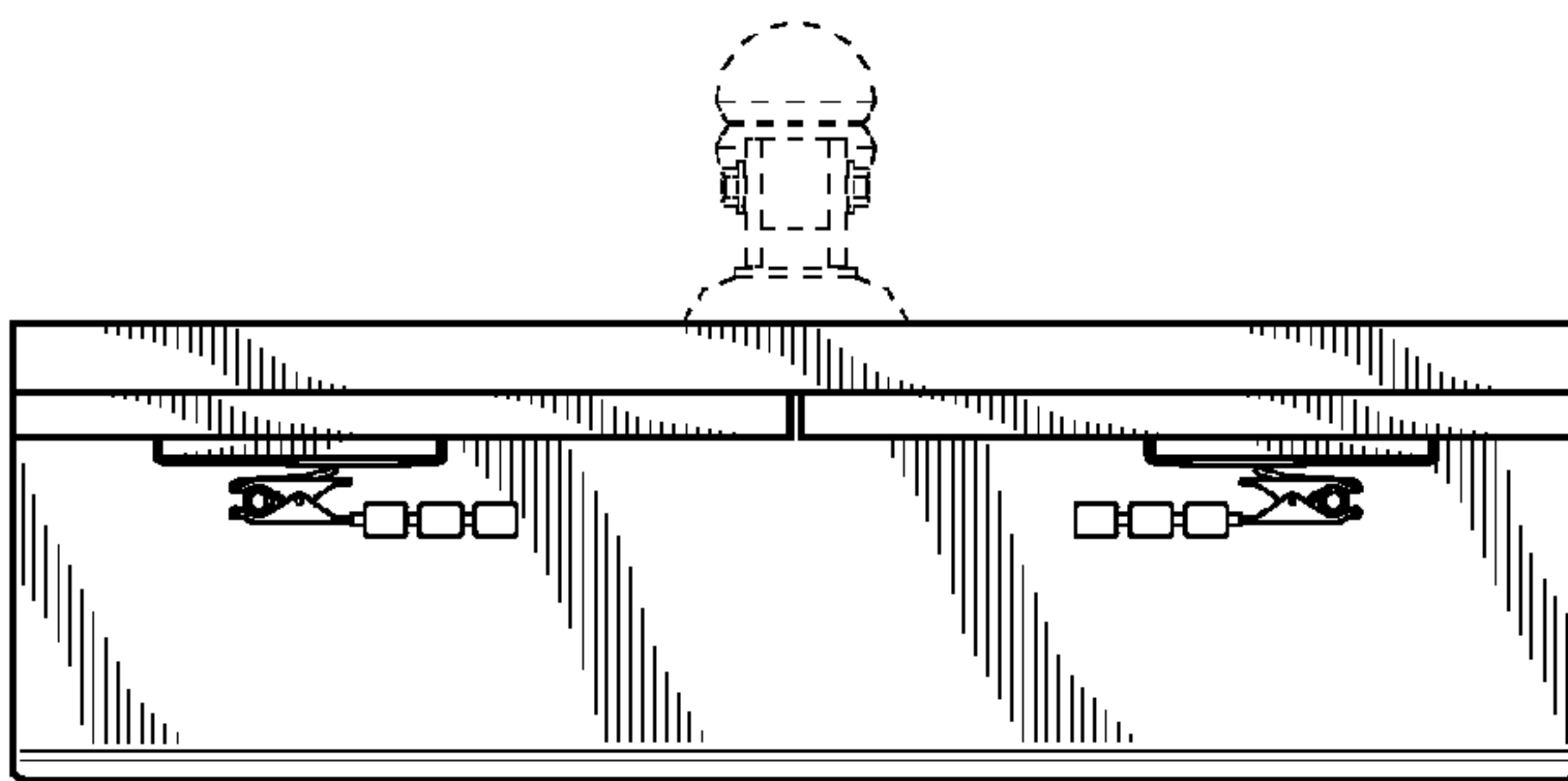


Fig.2

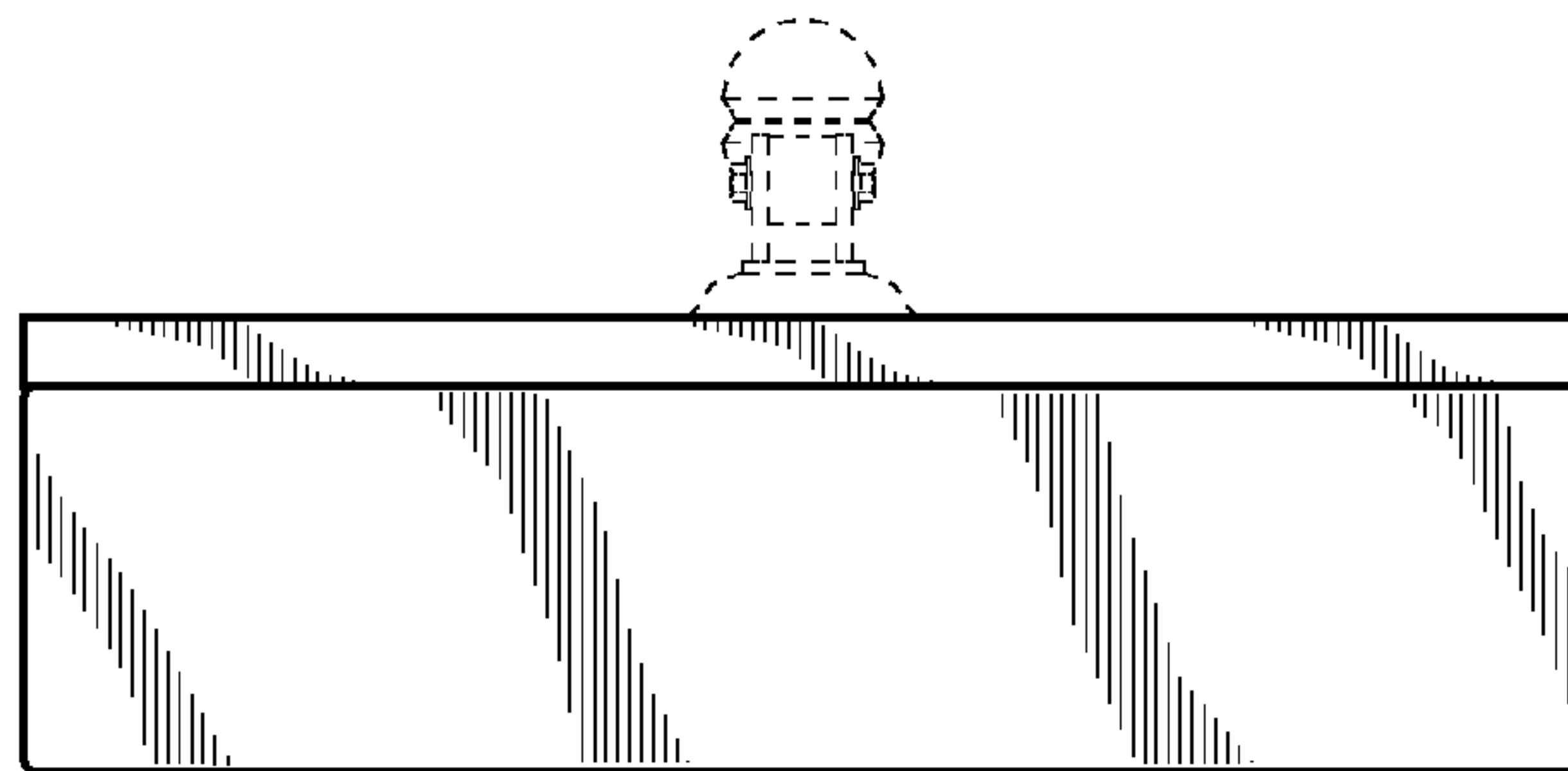


Fig.3

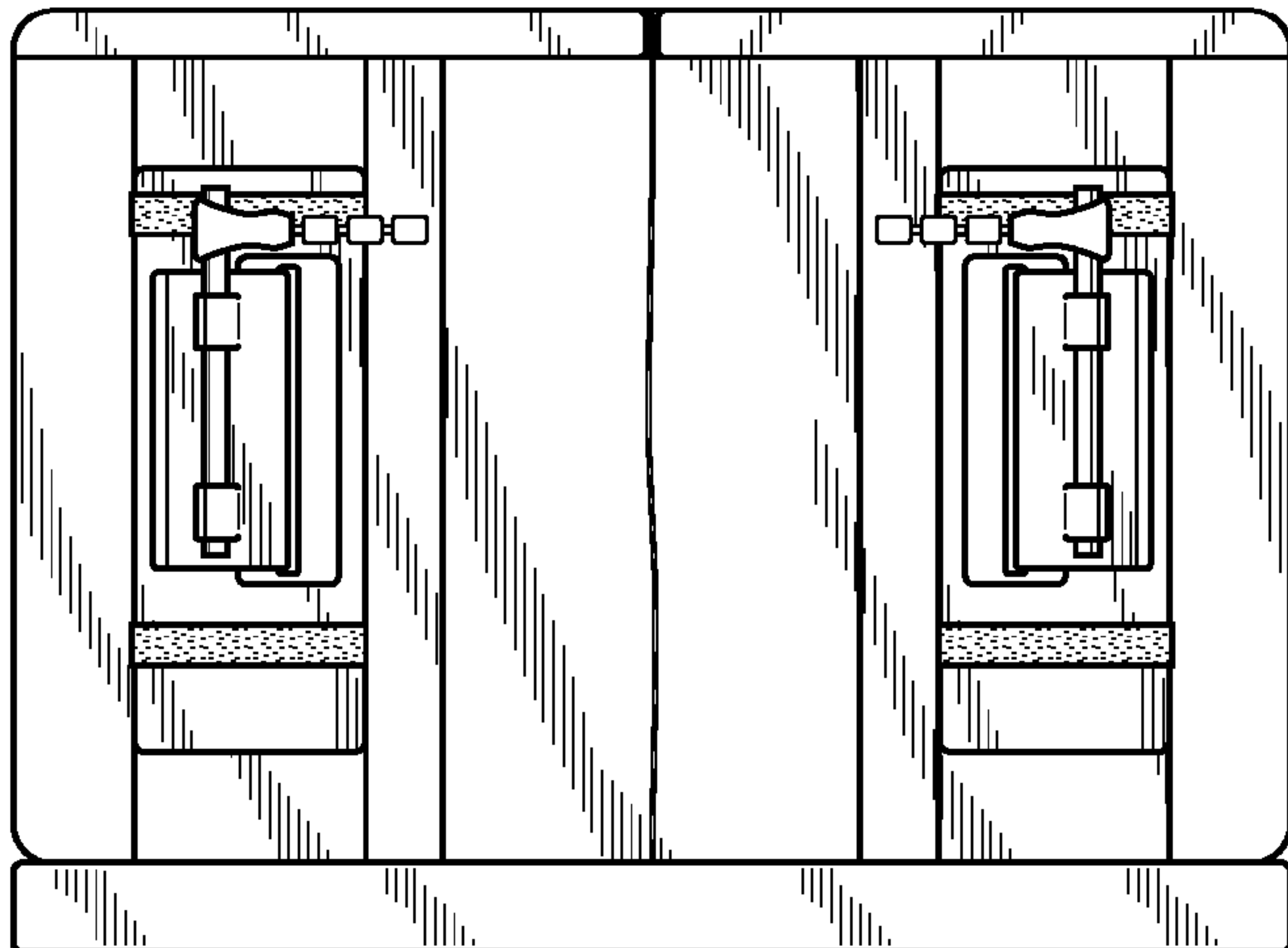


Fig.4

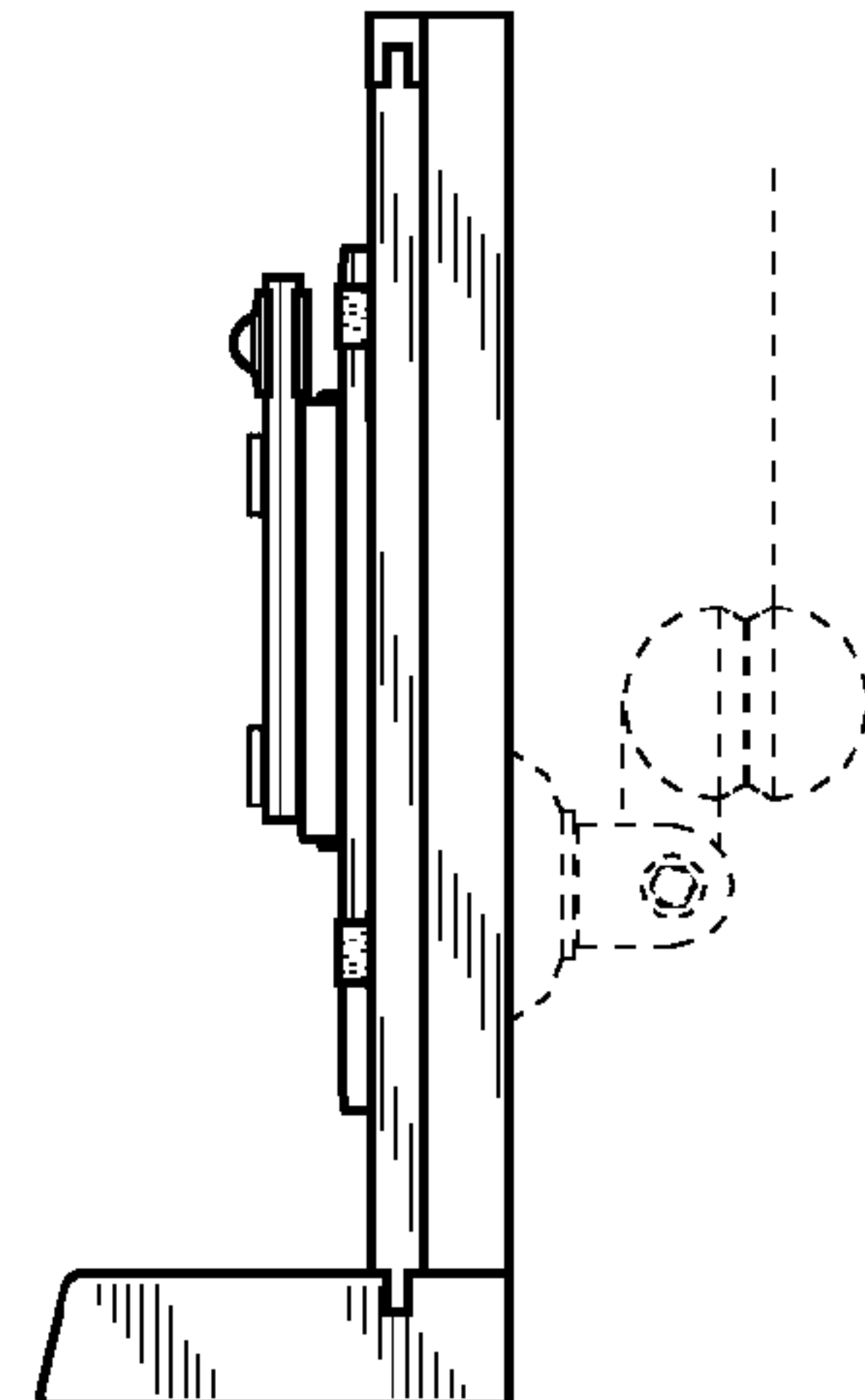


Fig.6

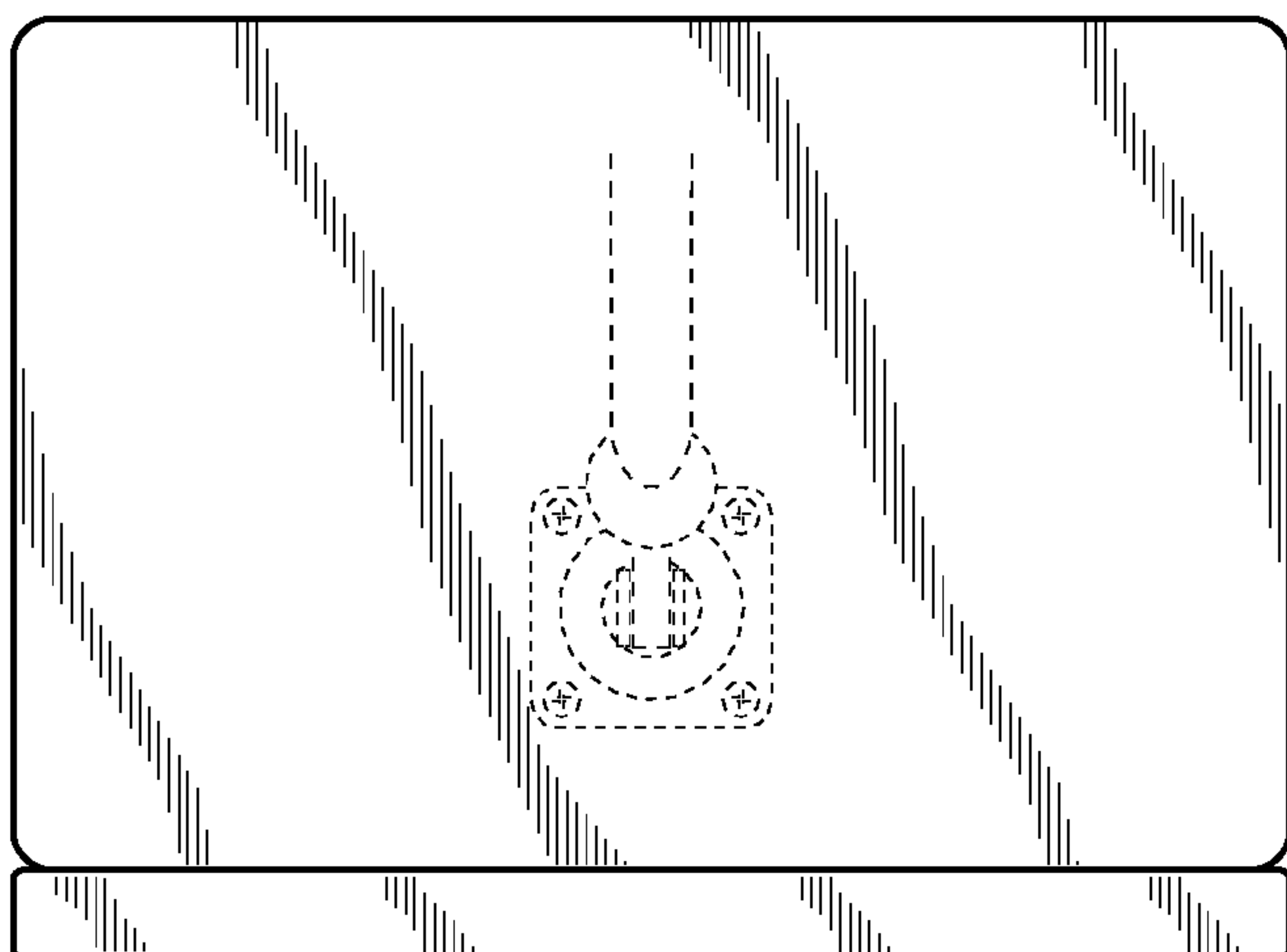


Fig.5

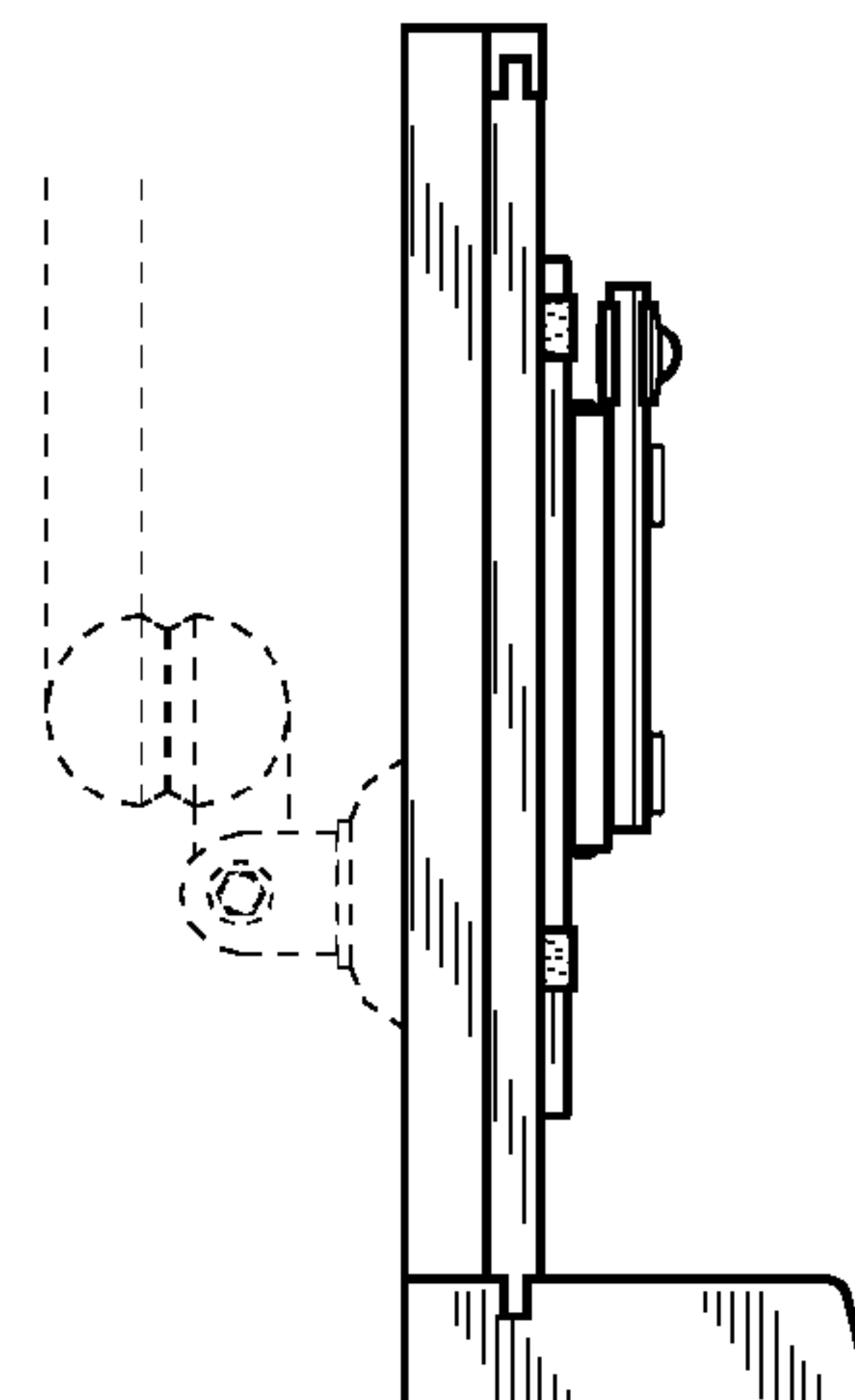


Fig.7