



US00D626172S

(12) **United States Design Patent**
Meyer

(10) **Patent No.:** **US D626,172 S**

(45) **Date of Patent:** **** Oct. 26, 2010**

(54) **TONER CONTAINER**

(75) Inventor: **Daniel E. Meyer**, Minneapolis, MN
(US)

(73) Assignee: **Katun Corporation**, Minneapolis, MN
(US)

(**) Term: **14 Years**

(21) Appl. No.: **29/356,521**

(22) Filed: **Feb. 26, 2010**

(51) **LOC (9) Cl.** **16-03**

(52) **U.S. Cl.** **D18/43**

(58) **Field of Classification Search** D14/462,
D14/471, 474, 475; D18/12, 36, 40, 43,
D18/44, 56; 222/DIG. 1; 347/197, 214,
347/222; 399/24-28, 107-112, 119, 121,
399/122, 222-224

See application file for complete search history.

(56) **References Cited**

U.S. PATENT DOCUMENTS

D330,215 S * 10/1992 Saito et al. D18/43
D403,348 S * 12/1998 Matsuoka et al. D18/43
D450,081 S * 11/2001 Tsuji et al. D18/43

D458,301 S * 6/2002 Wang et al. D18/43
D458,960 S * 6/2002 Wang et al. D18/43
D615,584 S * 5/2010 Jimba et al. D18/43
7,729,644 B2 * 6/2010 Thornton et al. 399/262
2002/0028081 A1 * 3/2002 Ito et al. 399/27

* cited by examiner

Primary Examiner—Garth Rademaker

(74) *Attorney, Agent, or Firm*—Schwegman Lundberg &
Woessner, P.A.

(57) **CLAIM**

The ornamental design for a toner container, as shown and described.

DESCRIPTION

FIG. 1 is a perspective view of a toner container, showing the new design;

FIG. 2 is a front view of the toner container of FIG. 1.

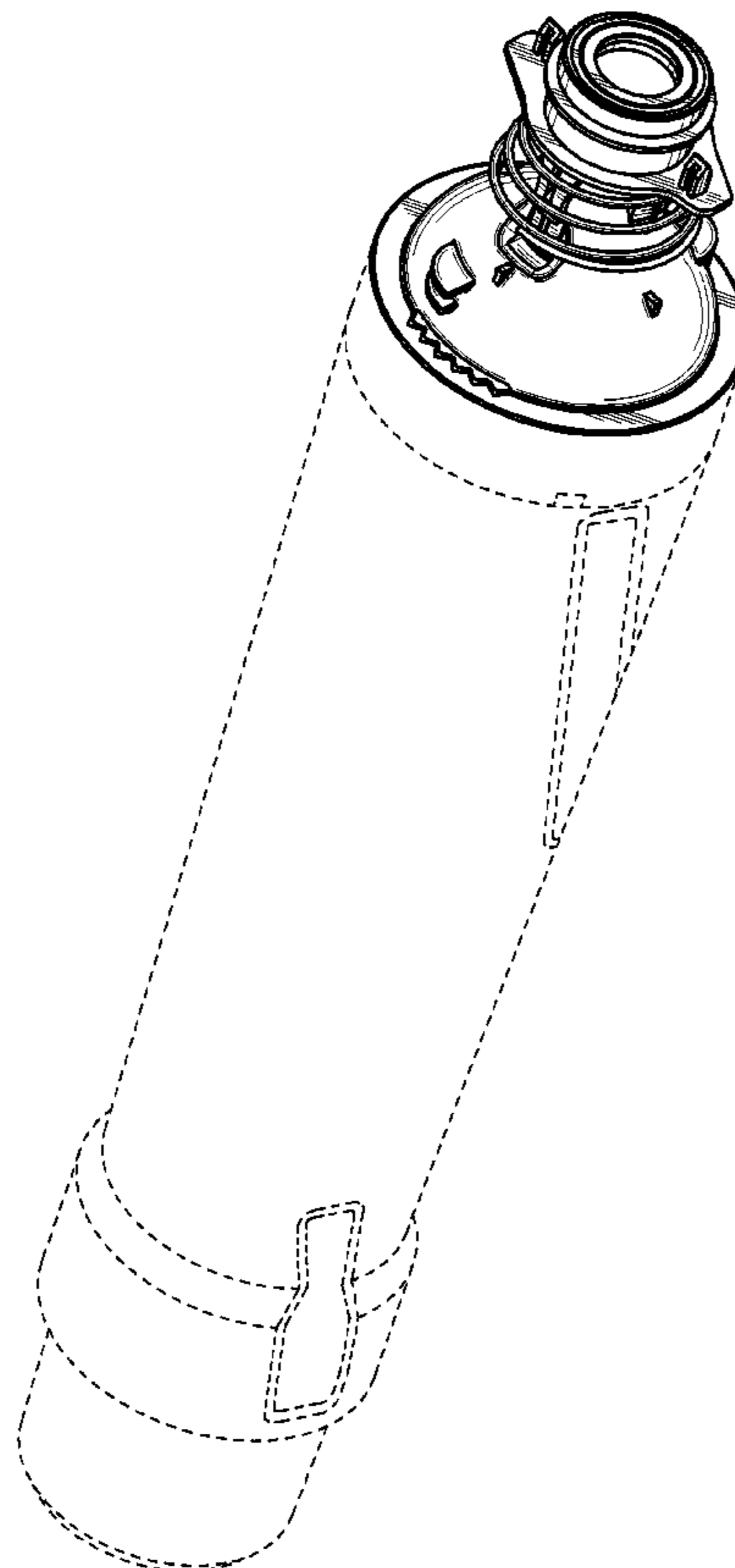
FIG. 3 is a side view of the toner container of FIG. 1.

FIG. 4 is a top view of the toner container of FIG. 1; and,

FIG. 5 is a bottom view of the toner container of FIG. 1.

The broken lines depict environmental subject matter only and form no part of the claimed design.

1 Claim, 4 Drawing Sheets



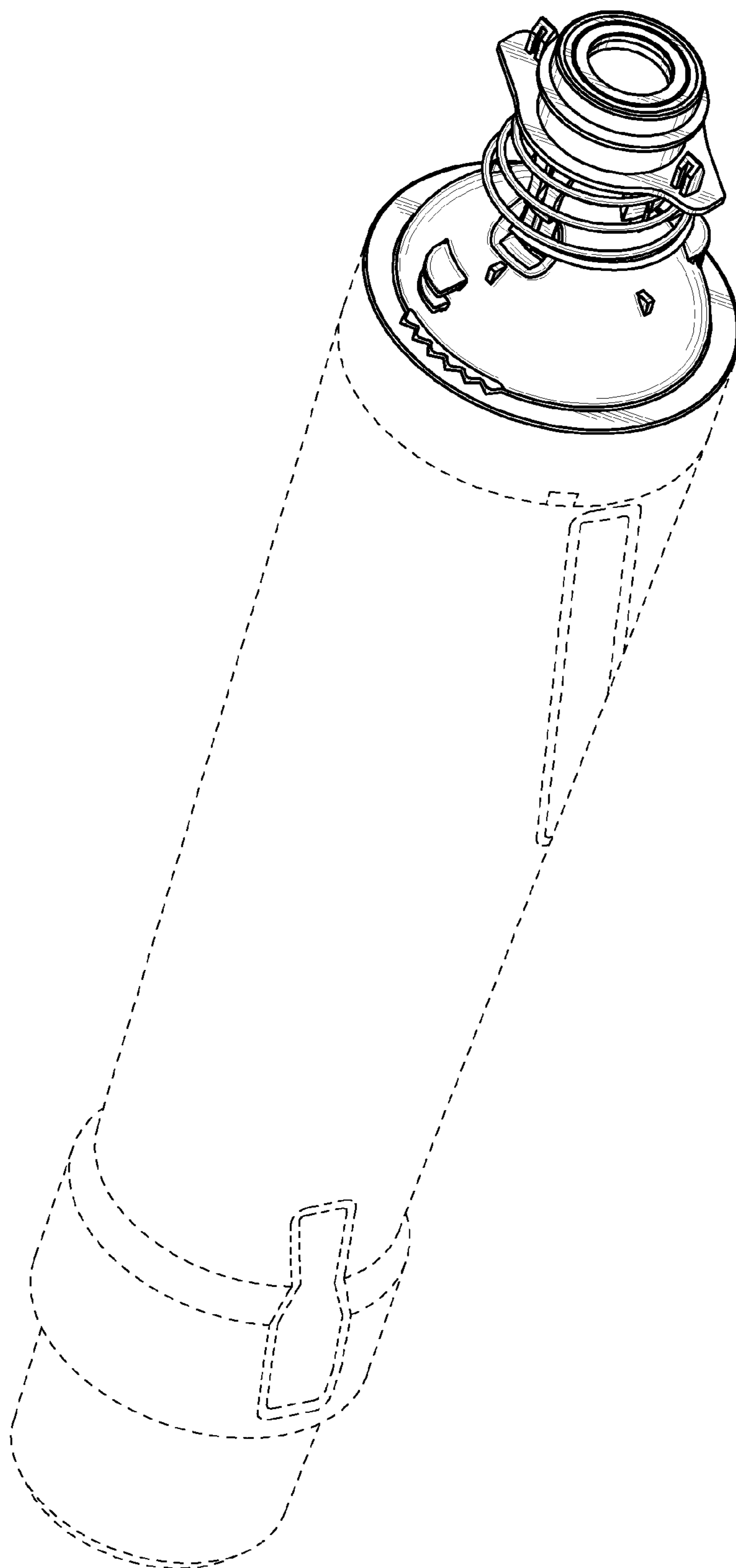


FIG. 1

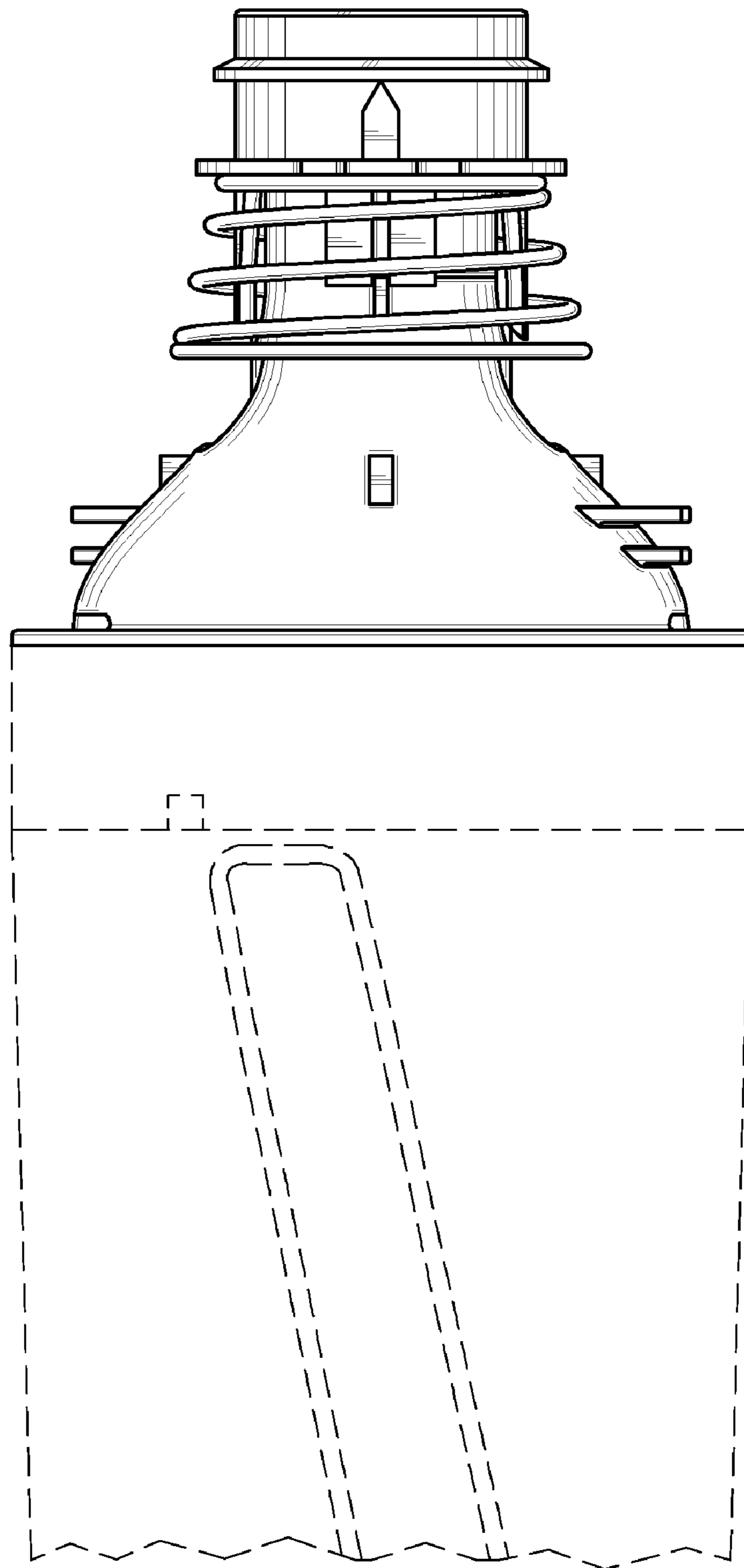


FIG. 2

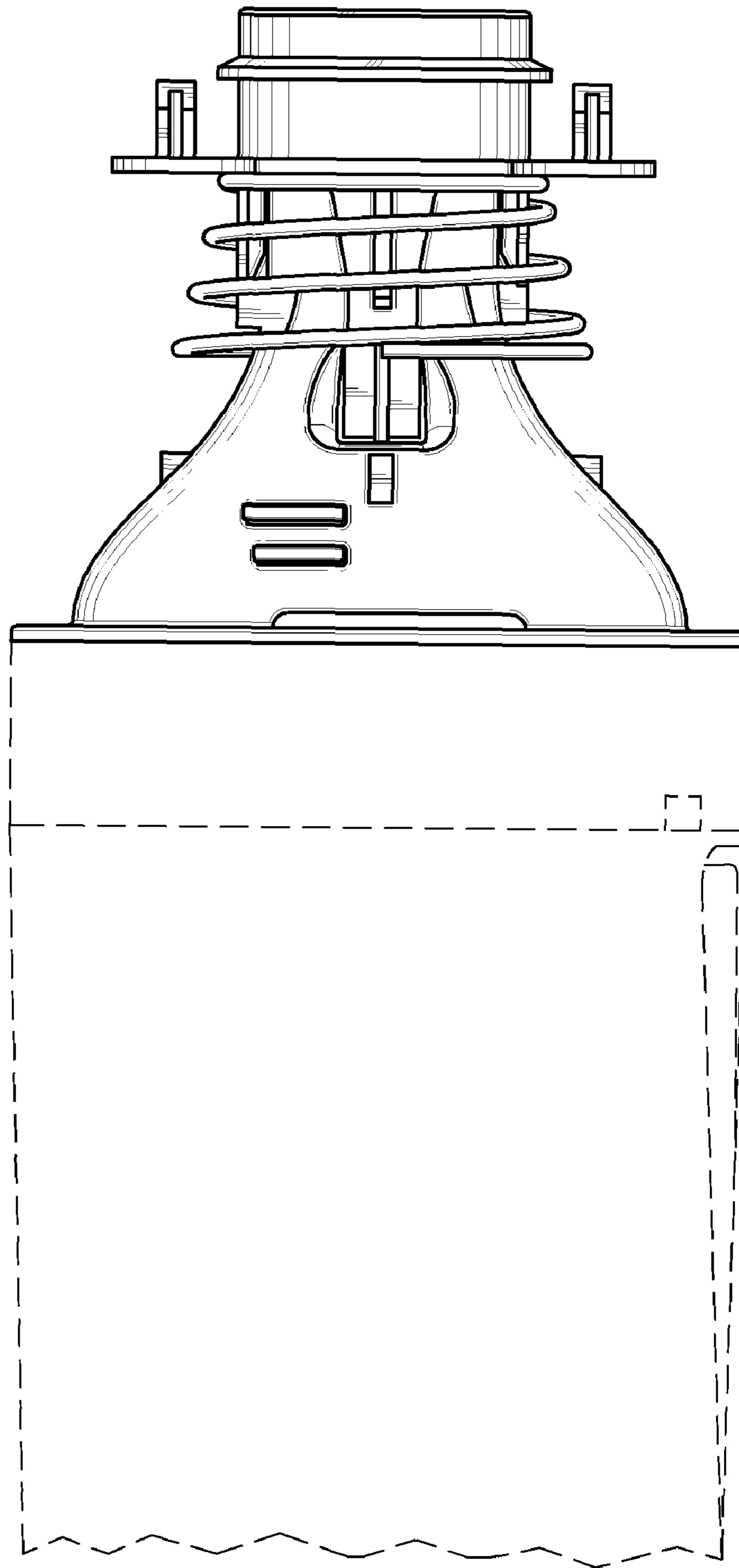


FIG. 3

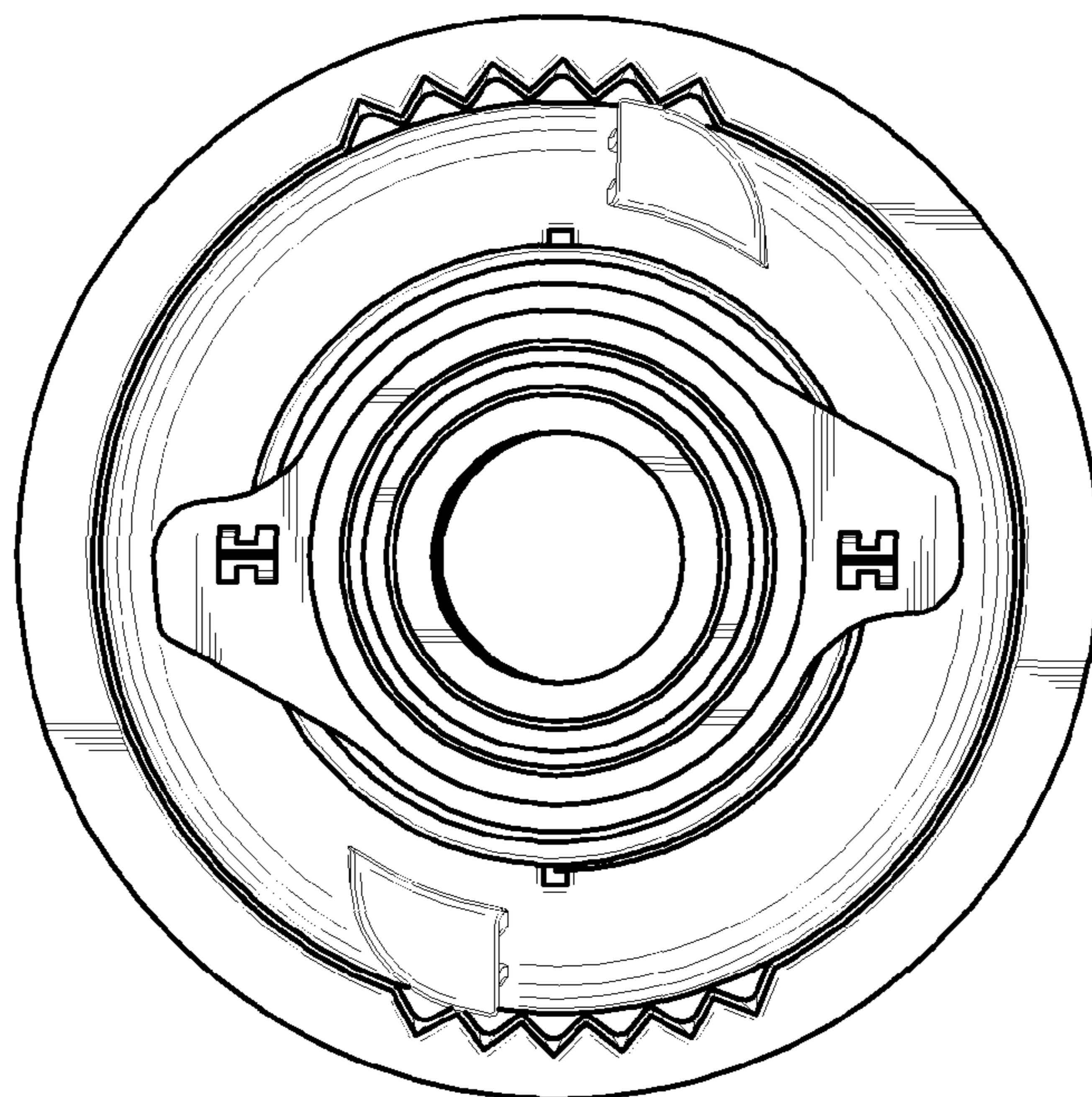


FIG. 4

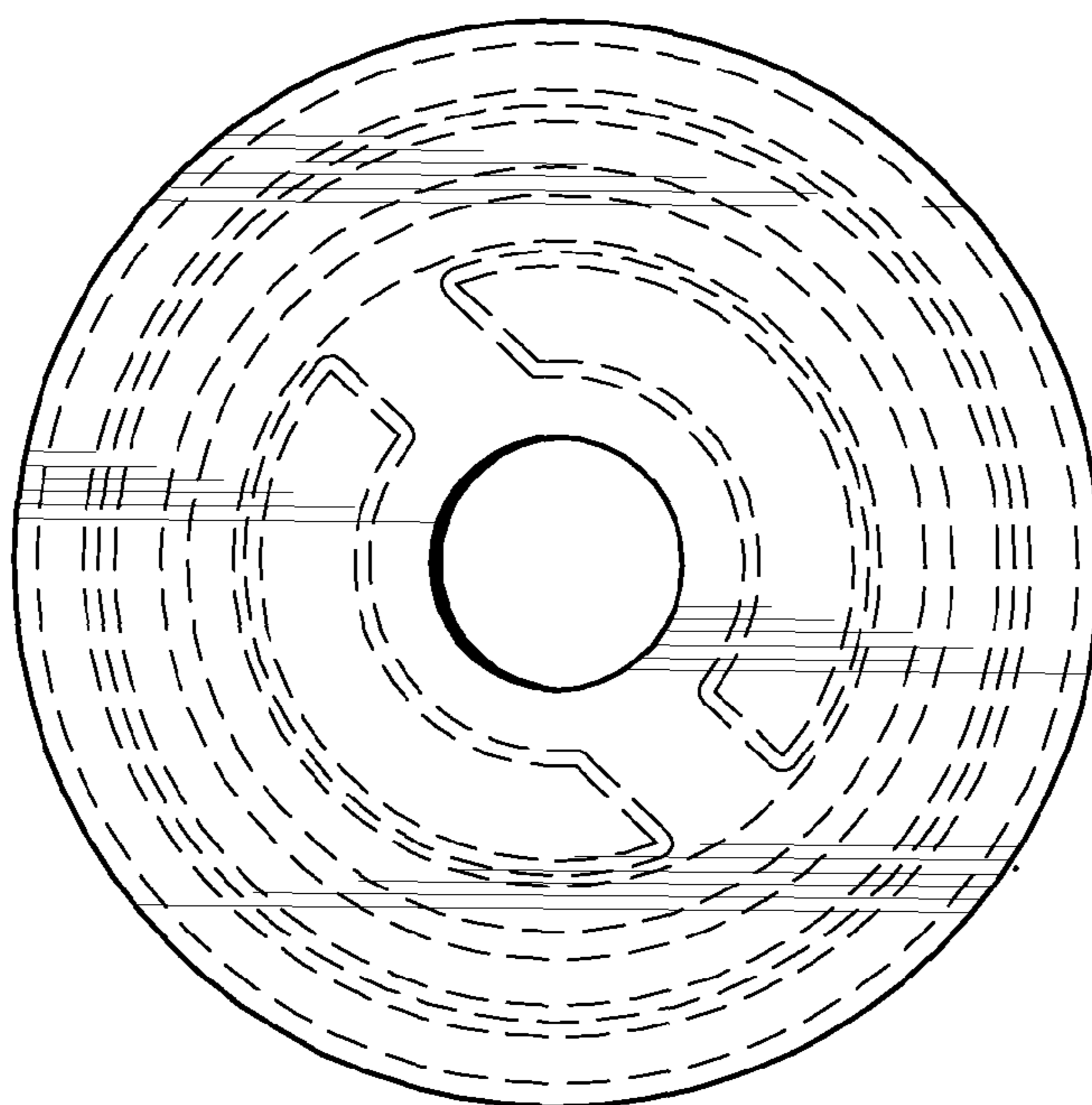


FIG. 5