



US00D626166S

(12) **United States Design Patent**  
**Yang**

(10) **Patent No.:** **US D626,166 S**

(45) **Date of Patent:** **\*\* Oct. 26, 2010**

(54) **EYEWEAR**

(75) Inventor: **Shun-Tien Yang**, Tainan Hsien (TW)

(73) Assignee: **All-Logic Int. Co., Ltd.**, Tainan Hsien (TW)

(\*\*) Term: **14 Years**

(21) Appl. No.: **29/357,066**

(22) Filed: **Mar. 5, 2010**

(30) **Foreign Application Priority Data**

Oct. 26, 2009 (TW) ..... 98305065

(51) **LOC (9) Cl.** ..... **16-06**

(52) **U.S. Cl.** ..... **D16/312**

(58) **Field of Classification Search** ..... D16/101,  
D16/300-342; D29/109-110; D24/110.2;  
351/41, 44, 51-52, 62, 158, 92, 103-123,  
351/140, 153, 45-46; 2/426-432, 447-449,  
2/441, 434-437, 13, 15; D21/483, 659-661  
See application file for complete search history.

(56) **References Cited**

**U.S. PATENT DOCUMENTS**

D364,181 S \* 11/1995 Arnette ..... D16/312

D428,906 S \* 8/2000 Bolle ..... D16/312  
D536,021 S \* 1/2007 Chou ..... D16/312  
D595,332 S \* 6/2009 Yang ..... D16/312  
D616,915 S \* 6/2010 Silveria et al. .... D16/312

\* cited by examiner

*Primary Examiner*—Raphael Barkai

(74) *Attorney, Agent, or Firm*—Marger Johnson & McCollom, P.C.

(57) **CLAIM**

The ornamental design for eyewear, as shown and described.

**DESCRIPTION**

FIG. 1 is a perspective view of eyewear showing my new design;

FIG. 2 is a front elevational view thereof;

FIG. 3 is a rear elevational view thereof;

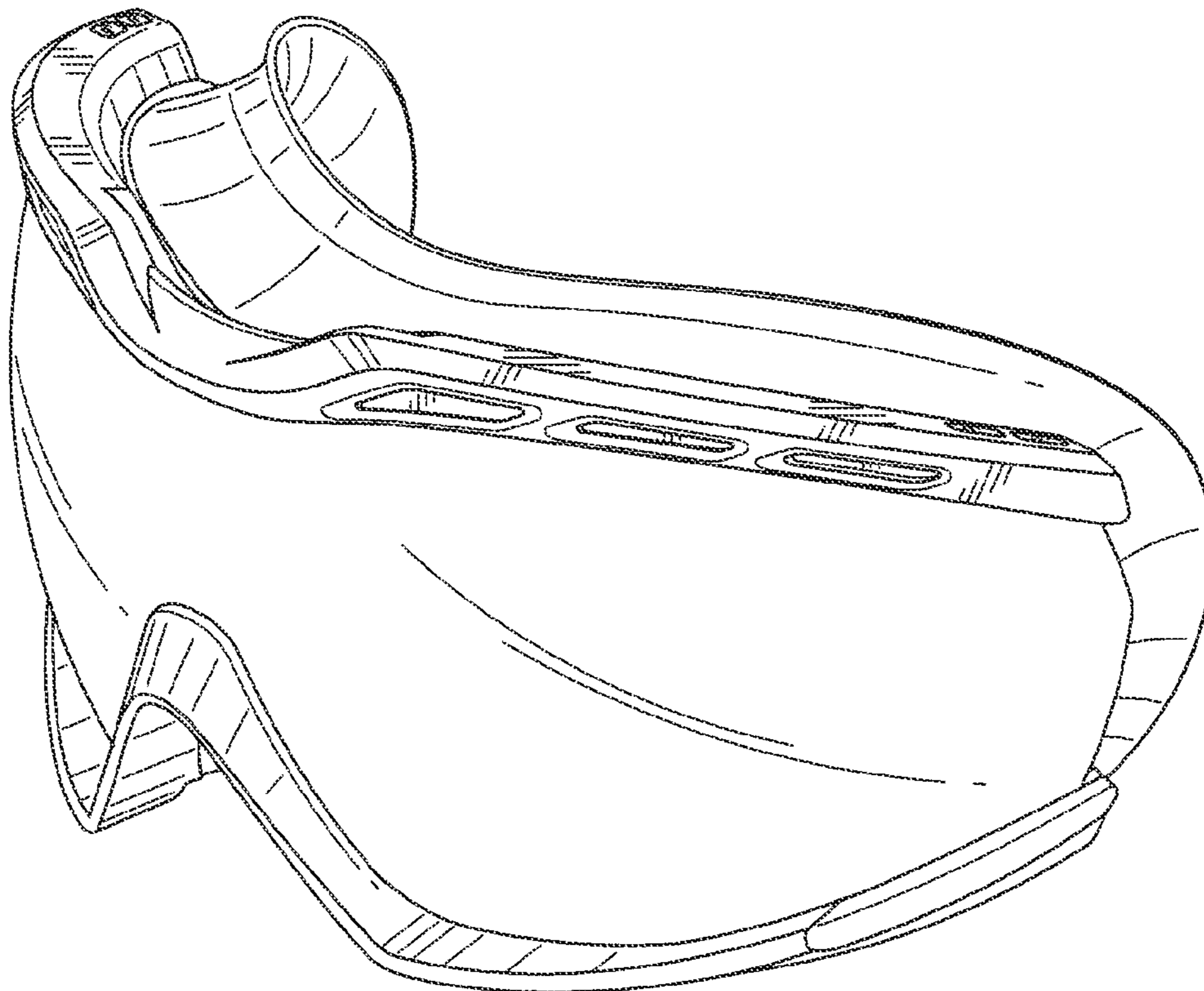
FIG. 4 is a right side elevational view thereof;

FIG. 5 is a left side elevational view thereof;

FIG. 6 is a top plan view thereof; and,

FIG. 7 is a bottom plan view thereof.

**1 Claim, 4 Drawing Sheets**



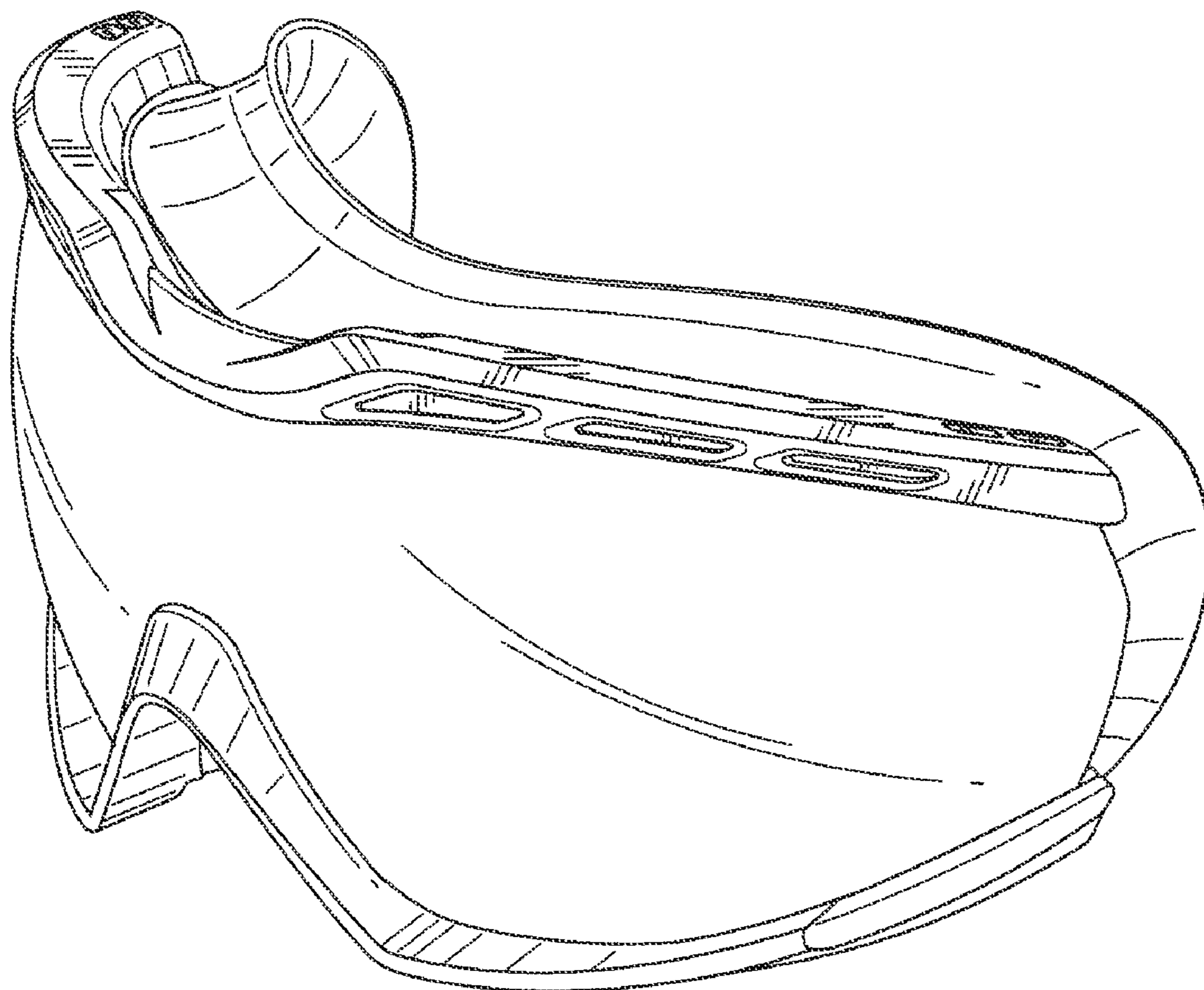


FIG. 1

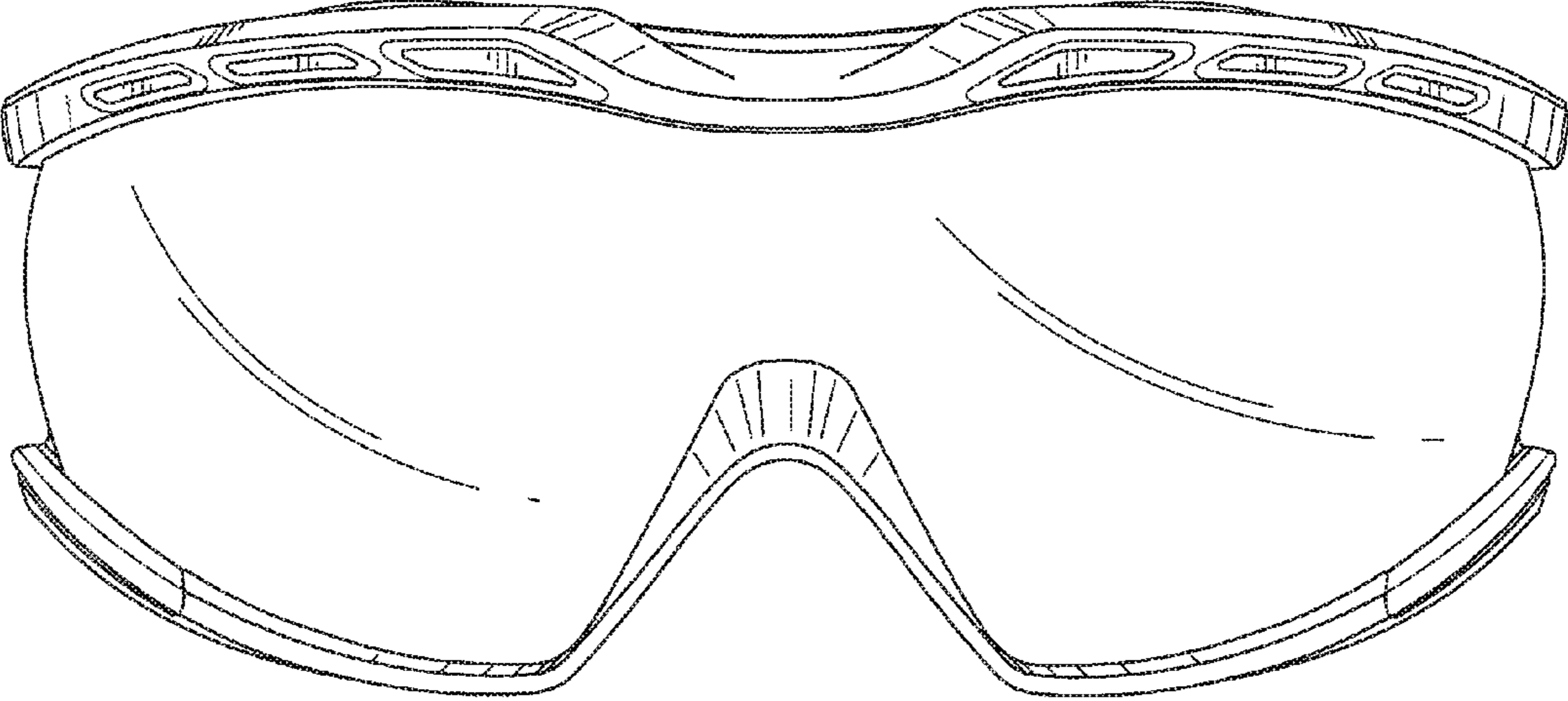


FIG. 2

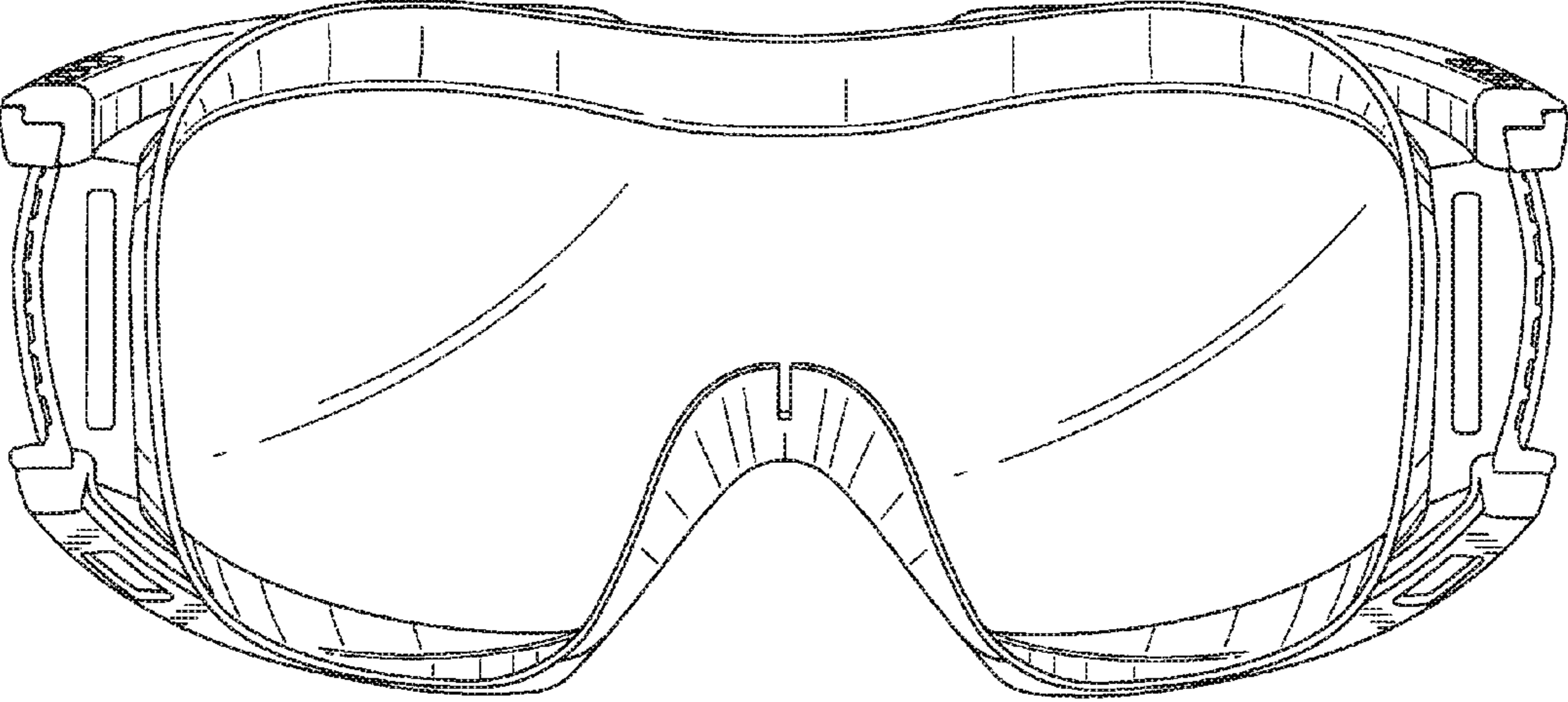


FIG. 3

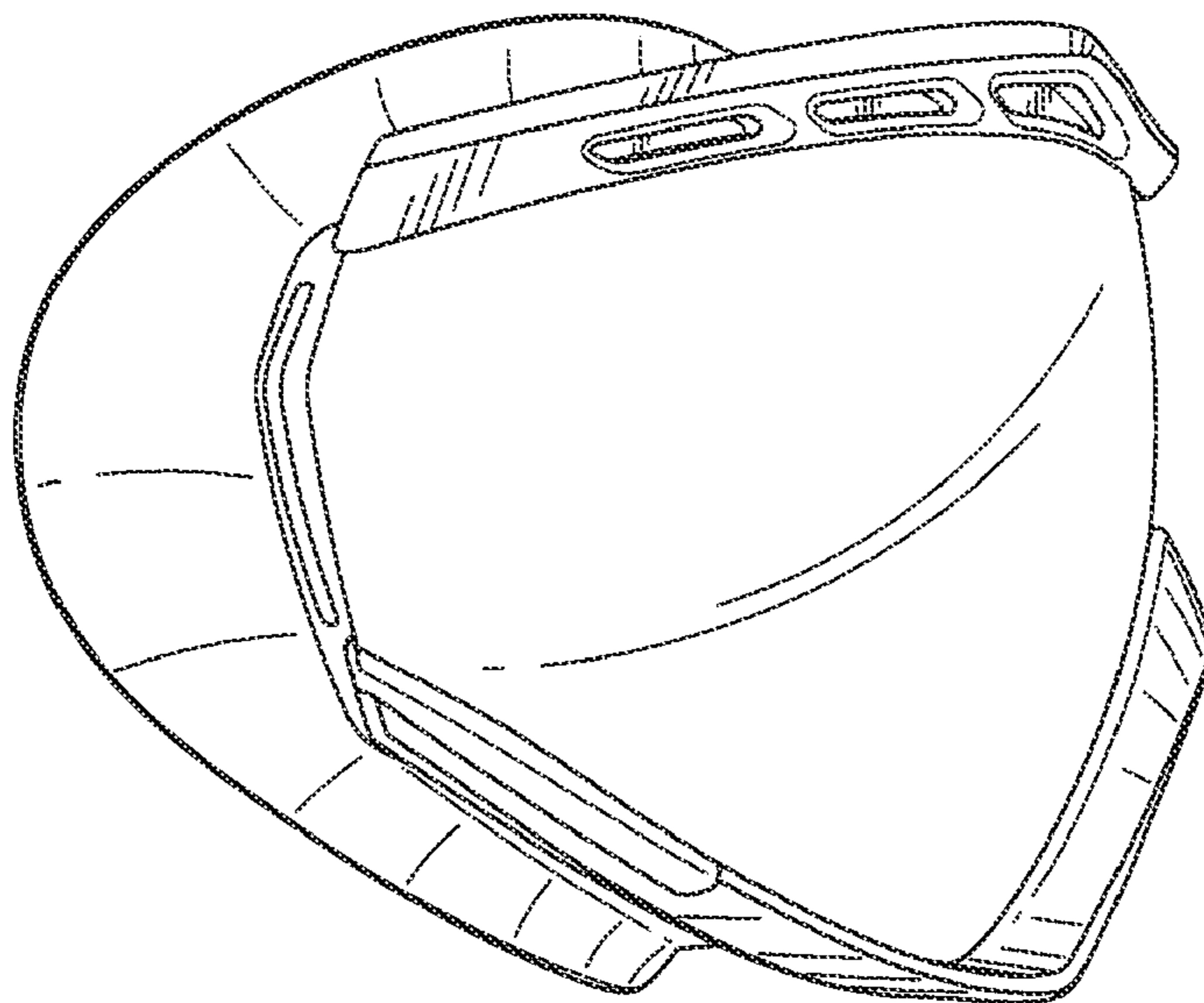


FIG. 4

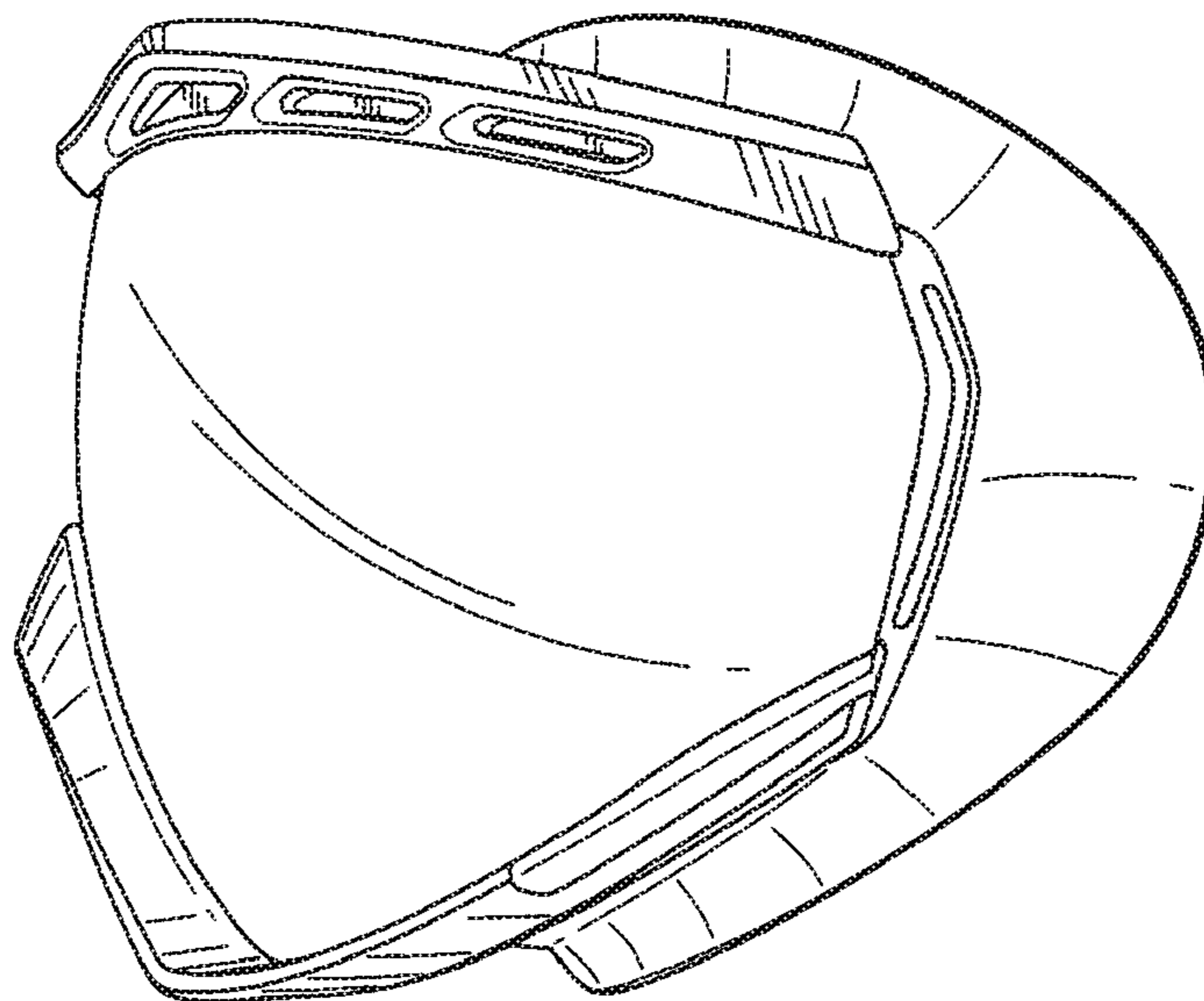


FIG. 5

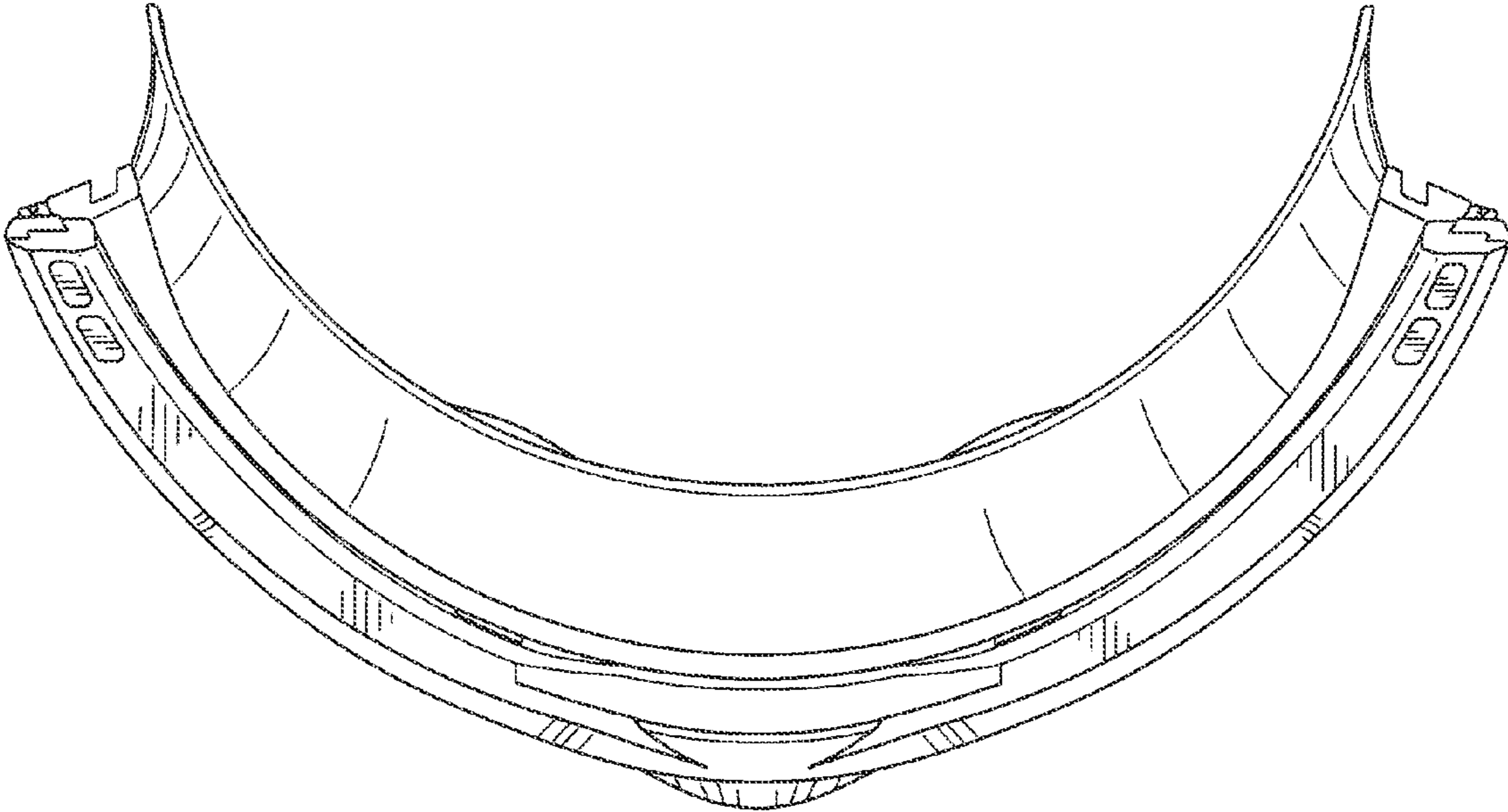


FIG. 6

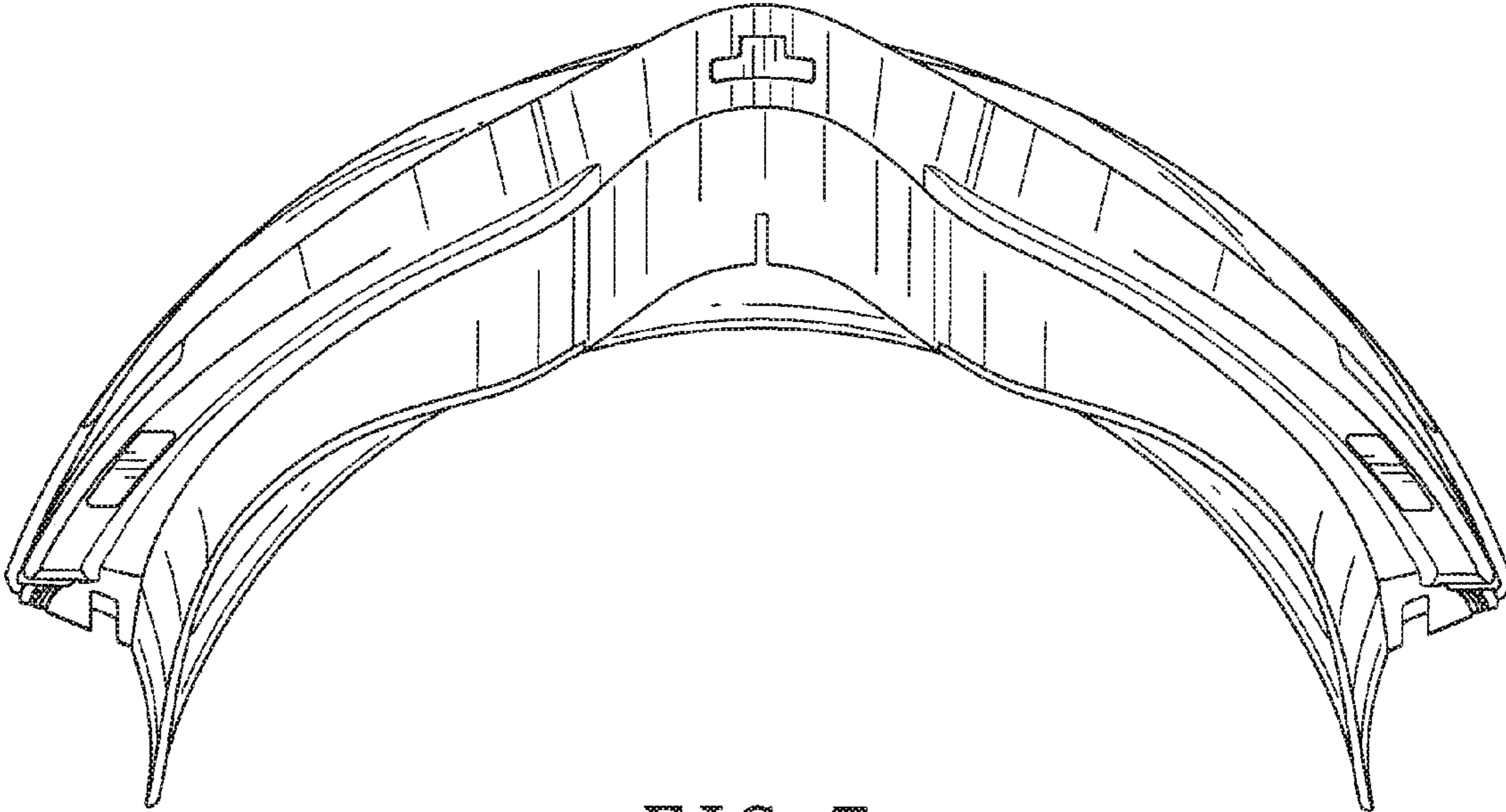


FIG. 7