



US00D626164S

(12) **United States Design Patent**
Kato et al.

(10) **Patent No.:** **US D626,164 S**
(45) **Date of Patent:** **** Oct. 26, 2010**

(54) **VISUAL PRESENTER**

(75) Inventors: **Tetsuro Kato**, Aichi (JP); **Shinsuke Ikeno**, Aichi (JP)

(73) Assignee: **Elmo Co., Ltd.**, Aichi (JP)

(**) Term: **14 Years**

(21) Appl. No.: **29/347,100**

(22) Filed: **Sep. 22, 2009**

(30) **Foreign Application Priority Data**

Mar. 23, 2009 (JP) 2009-006336

(51) **LOC (9) Cl.** **16-02**

(52) **U.S. Cl.** **D16/232; D14/423**

(58) **Field of Classification Search** D16/200,
D16/203, 208, 221, 225, 229, 232; D14/423;
353/119, 112, DIG. 3, DIG. 4, DIG. 6, 120;
348/373-376, 46

See application file for complete search history.

(56) **References Cited**

U.S. PATENT DOCUMENTS

D376,586	S *	12/1996	Shinano	D14/423
D397,709	S *	9/1998	Park et al.	D16/232
D401,953	S *	12/1998	Oh et al.	D16/232
D401,954	S *	12/1998	Oh et al.	D16/232
D425,098	S *	5/2000	Oh	D16/232
D476,008	S *	6/2003	Adachi et al.	D14/423
D498,782	S *	11/2004	Ooshima	D16/229
D569,890	S *	5/2008	Sukenari et al.	D16/232
D580,962	S	11/2008	Sukenari et al.		
7,525,595	B2 *	4/2009	Sukenari et al.	348/373
D603,889	S *	11/2009	Sukenari et al.	D16/232
D607,482	S *	1/2010	Inoue et al.	D16/232
2007/0146654	A1 *	6/2007	Sukenari et al.	353/120
2007/0165135	A1 *	7/2007	Sukenari et al.	348/373

FOREIGN PATENT DOCUMENTS

JP	S-1277223	7/2006
TW	D116554 S	4/2007
TW	D124650 S	9/2008

OTHER PUBLICATIONS

Notification of Reason(s) for Refusal mailed Jul. 3, 2009 from the Japan Patent Office for corresponding design patent application No. 2009-006336 (English translation enclosed).

Decision of Refusal mailed Oct. 2, 2009 from the Japan Patent Office for corresponding design patent application No. 2009-006336 (English translation enclosed).

Office Action dated Apr. 19, 2010 from the Taiwan Patent Office for corresponding design patent application No. 098304462.

* cited by examiner

Primary Examiner—Freda S Nunn

Assistant Examiner—Wan Laymon

(74) *Attorney, Agent, or Firm*—Posz Law Group, PLC

(57) **CLAIM**

The ornamental design for a visual presenter, as shown and described.

DESCRIPTION

FIG. 1 is a front view of a visual presenter showing our design.

FIG. 2 is a rear view of the visual presenter.

FIG. 3 is a top plan view of the visual presenter.

FIG. 4 is a bottom view of the visual presenter.

FIG. 5 is a right side view of the visual presenter.

FIG. 6 is a left side view of the visual presenter; and,

FIG. 7 is a front left perspective view of the visual presenter.

The broken lines showing portions of the visual presenter is included for the purpose of illustrating environmental structure and forms no part of the claimed design.

1 Claim, 7 Drawing Sheets

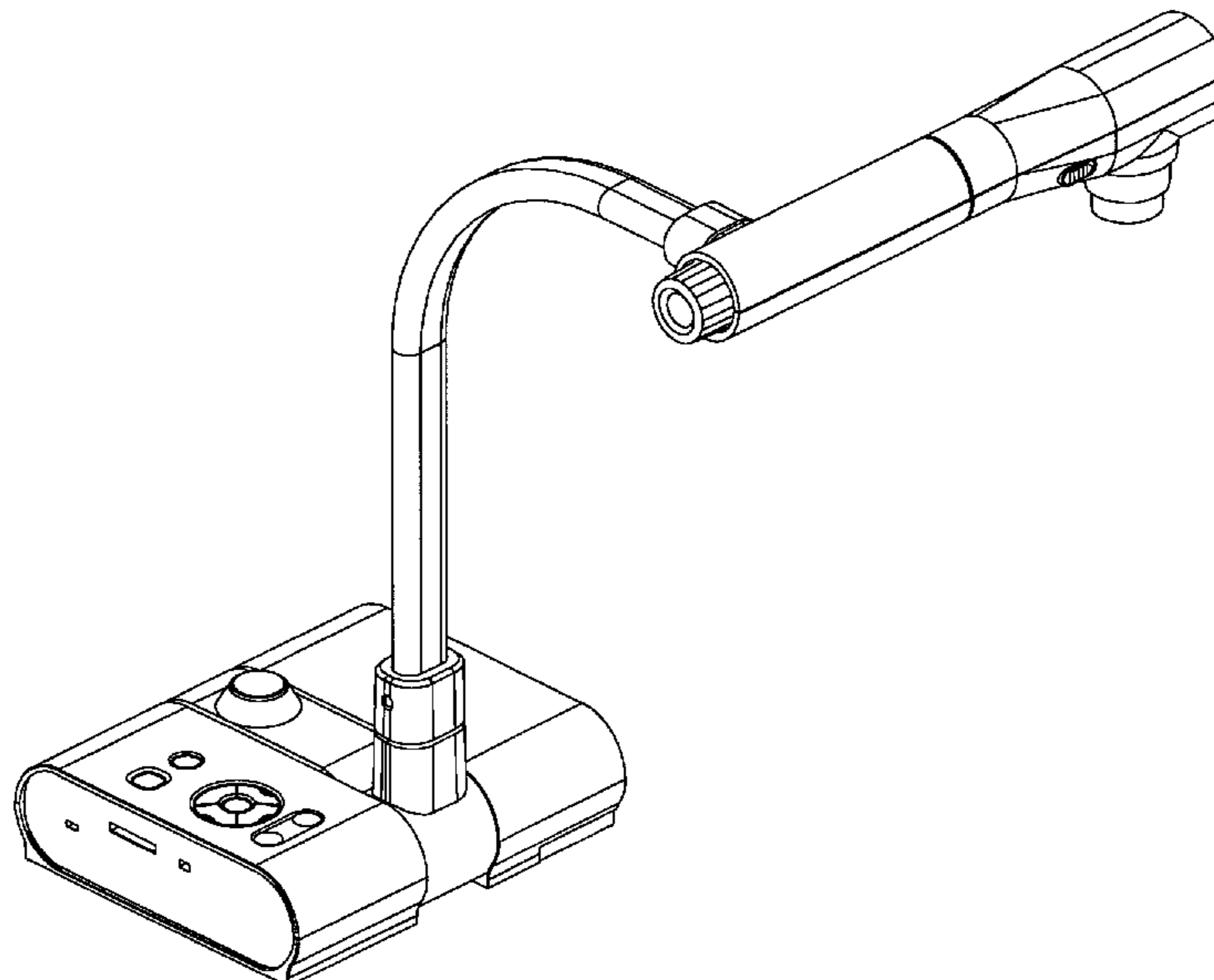


FIG. 1

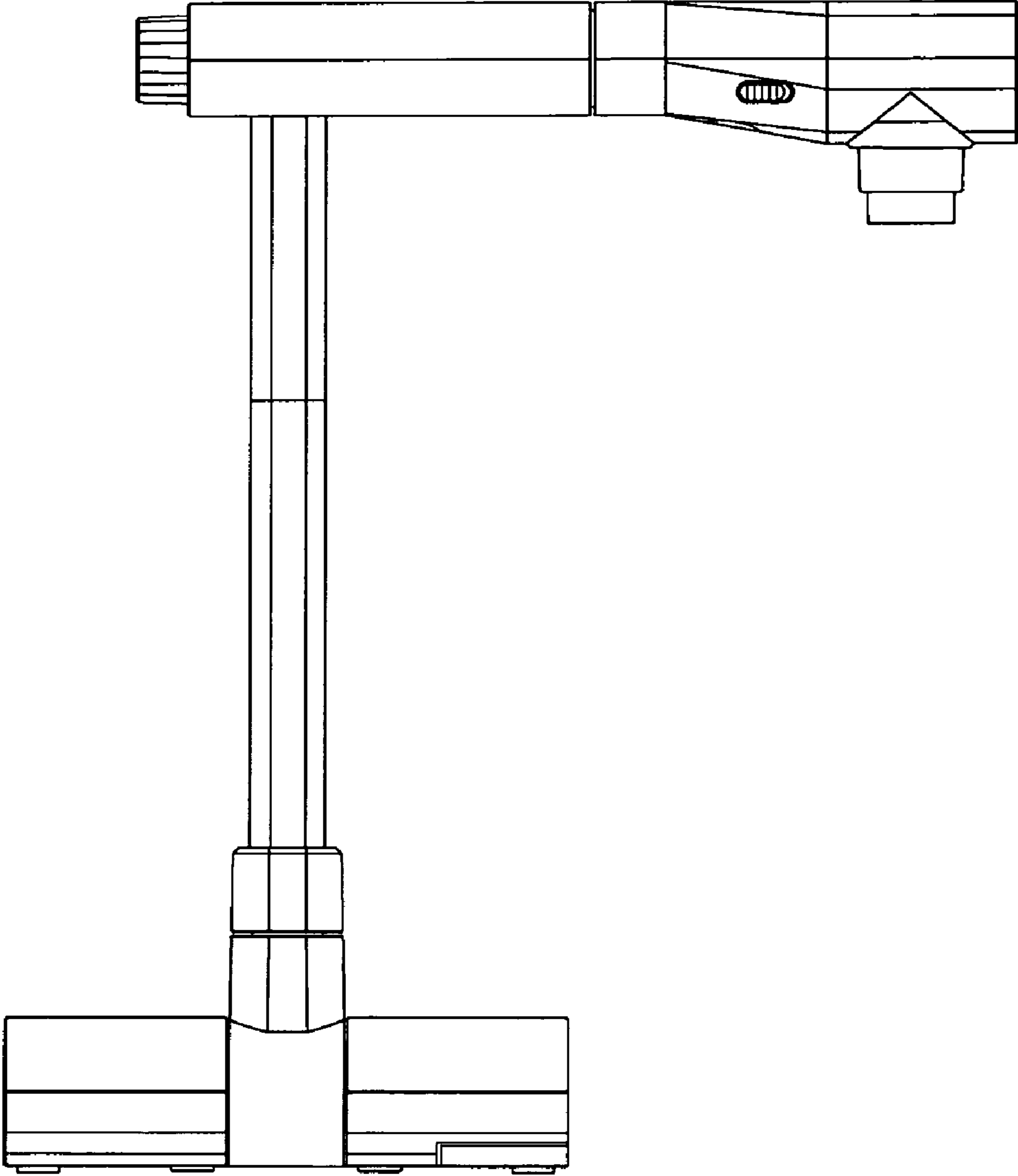


FIG. 2

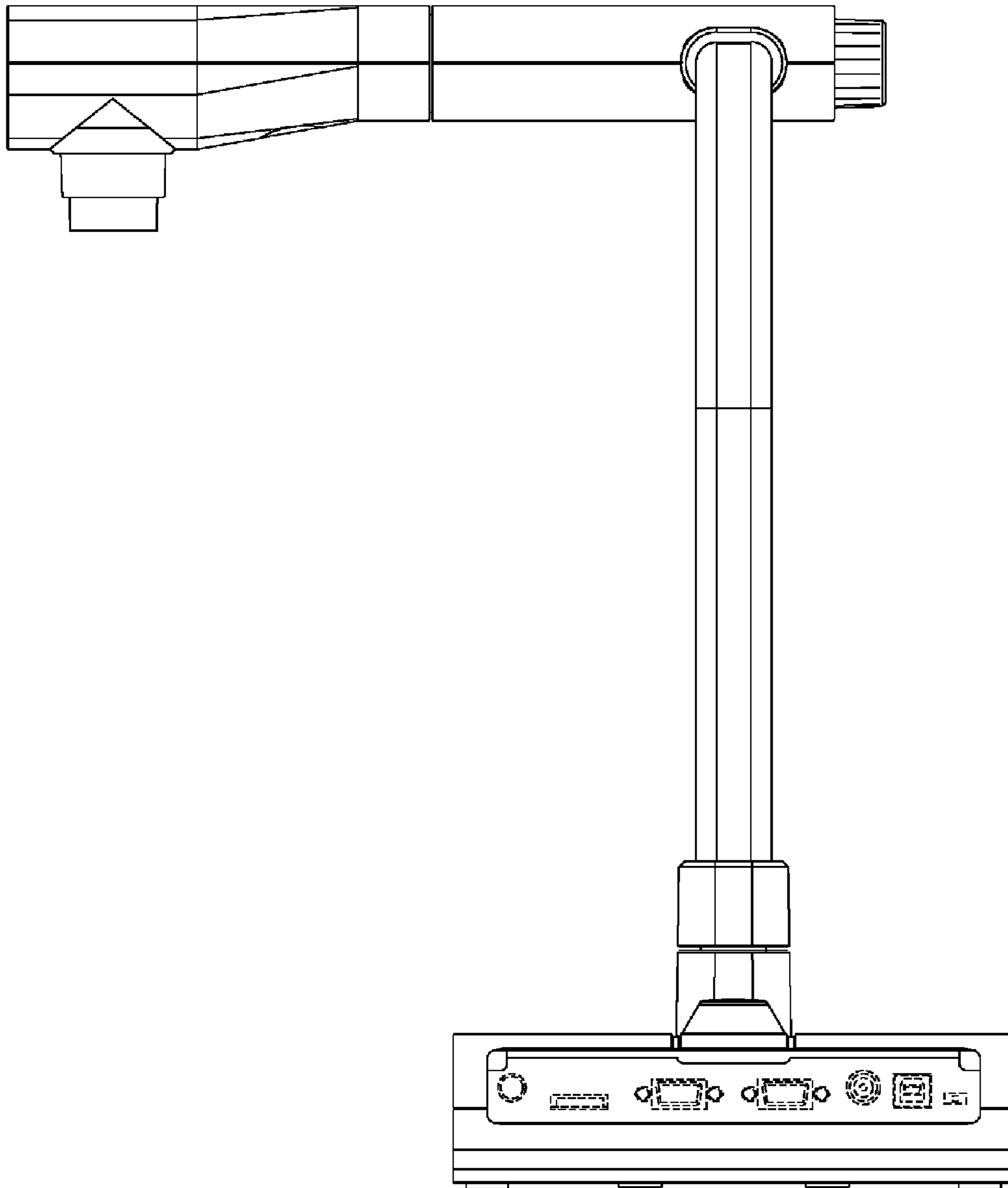


FIG. 3

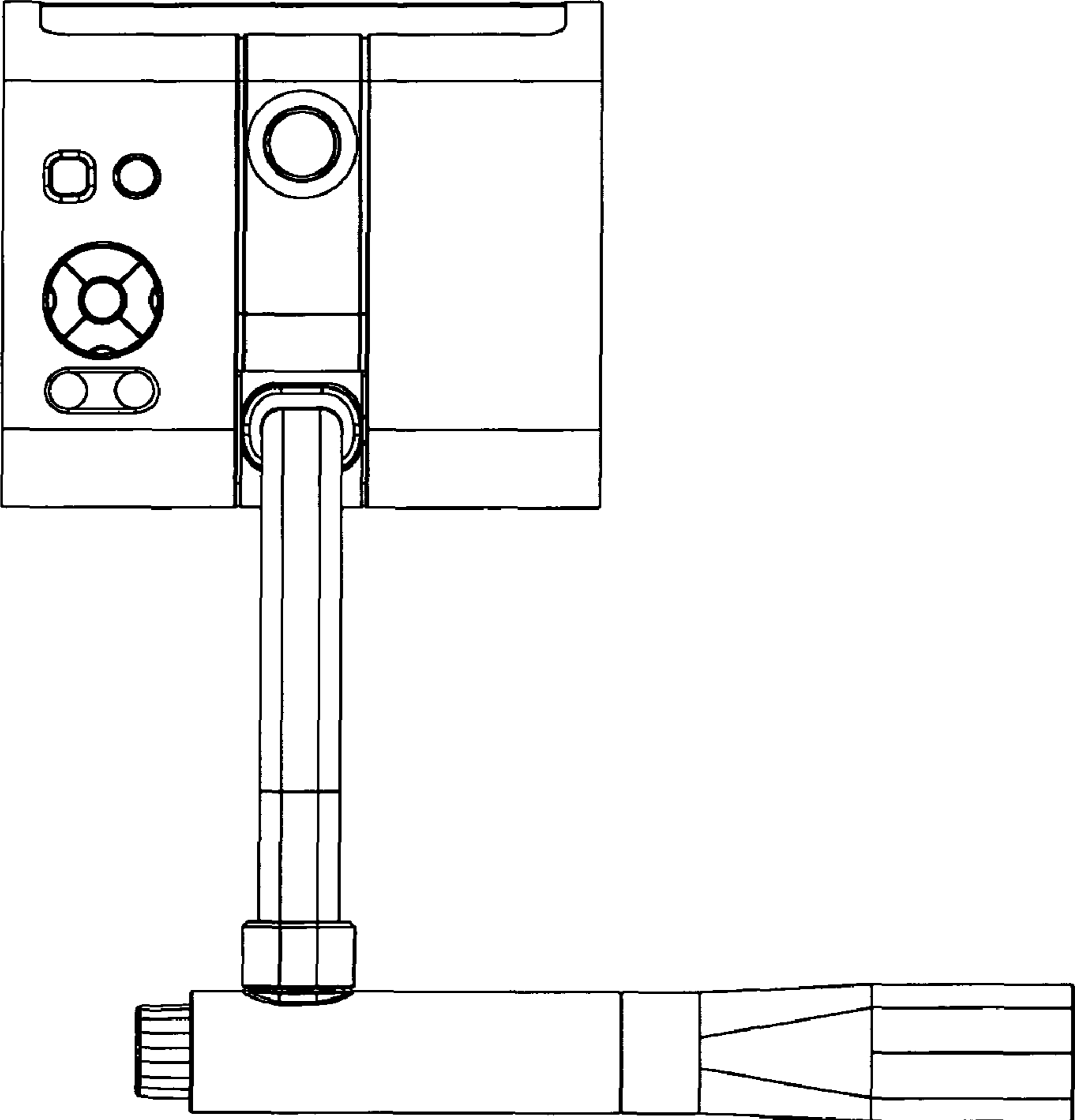


FIG. 4

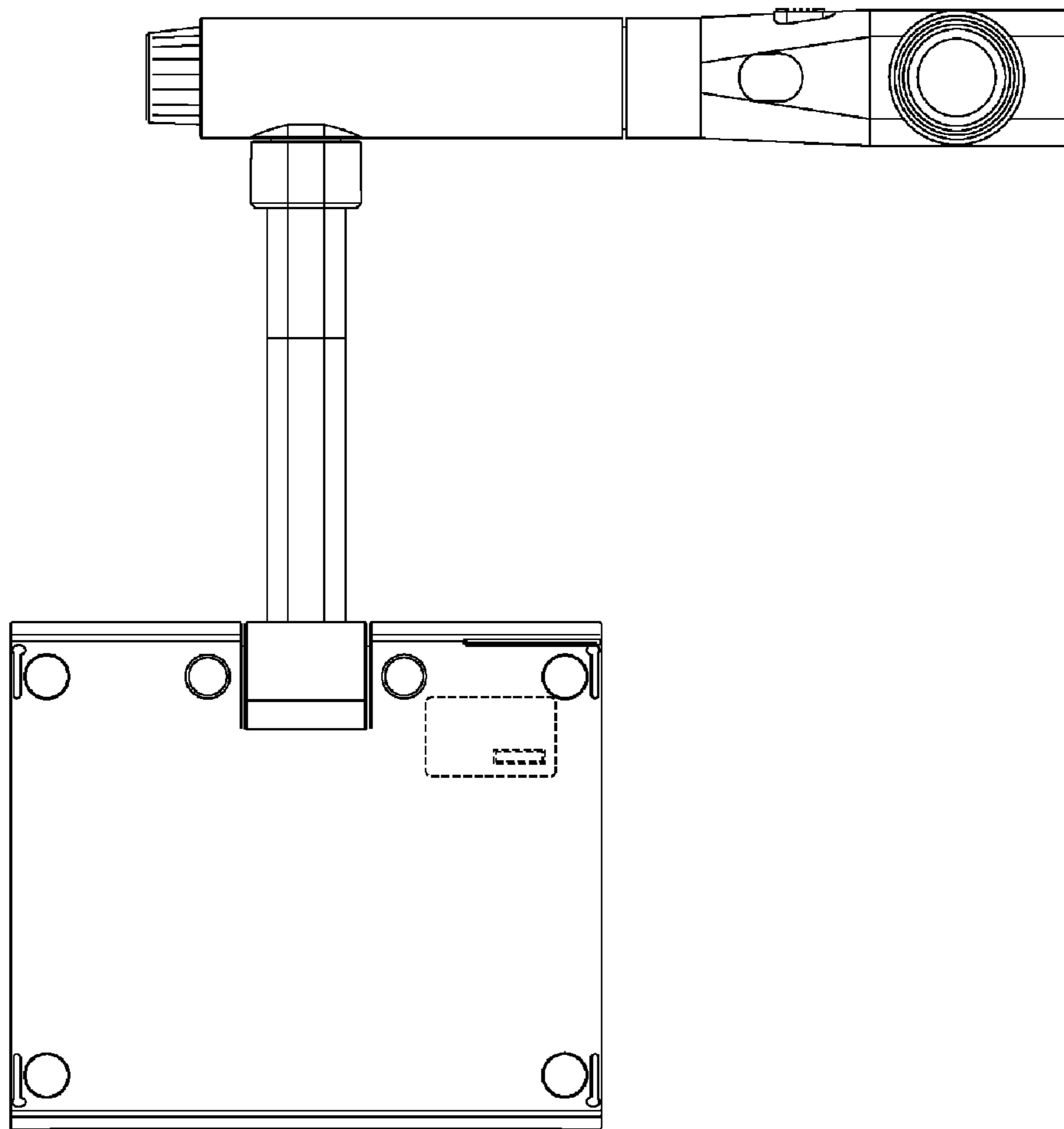


FIG. 5

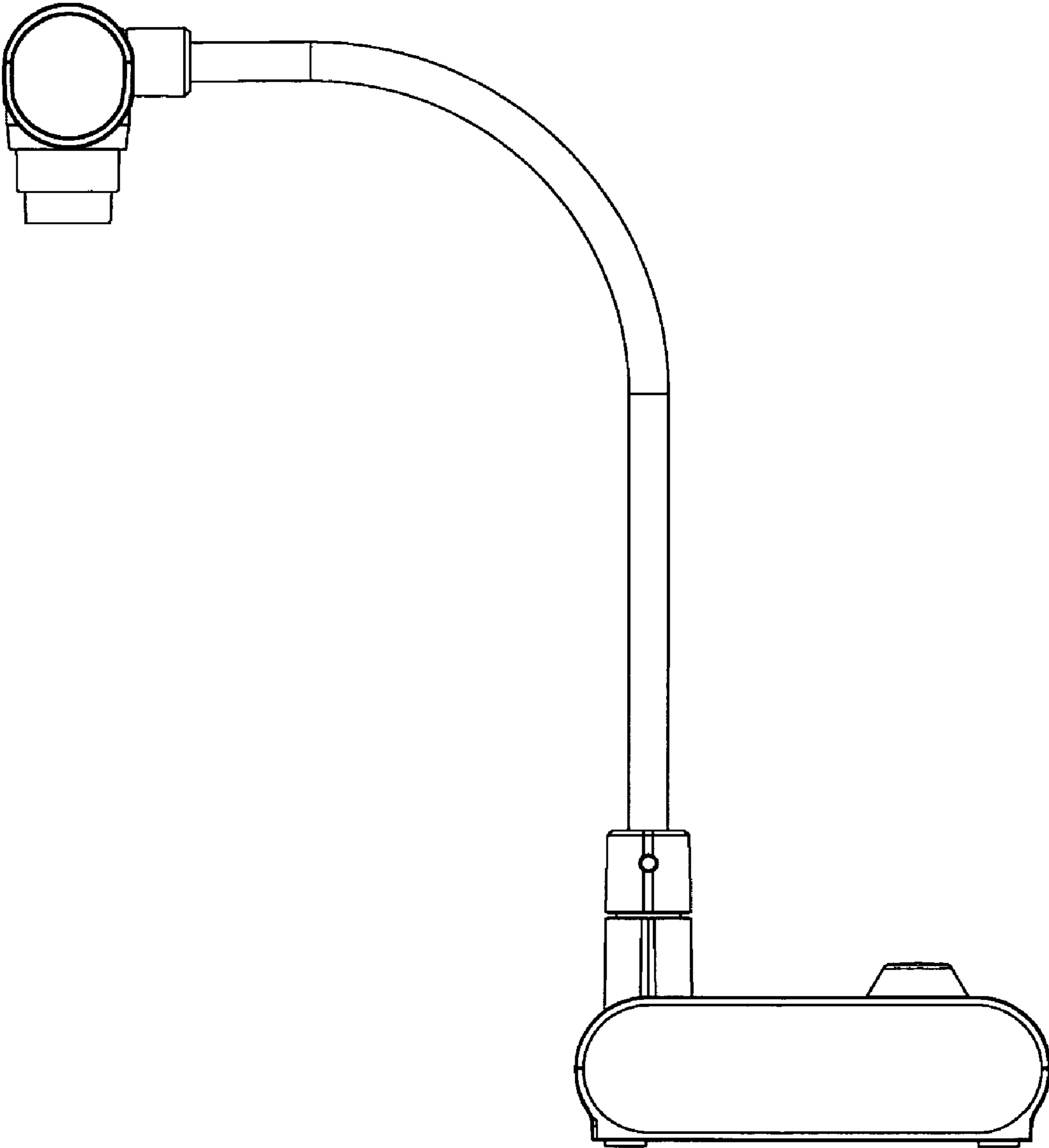


FIG. 6

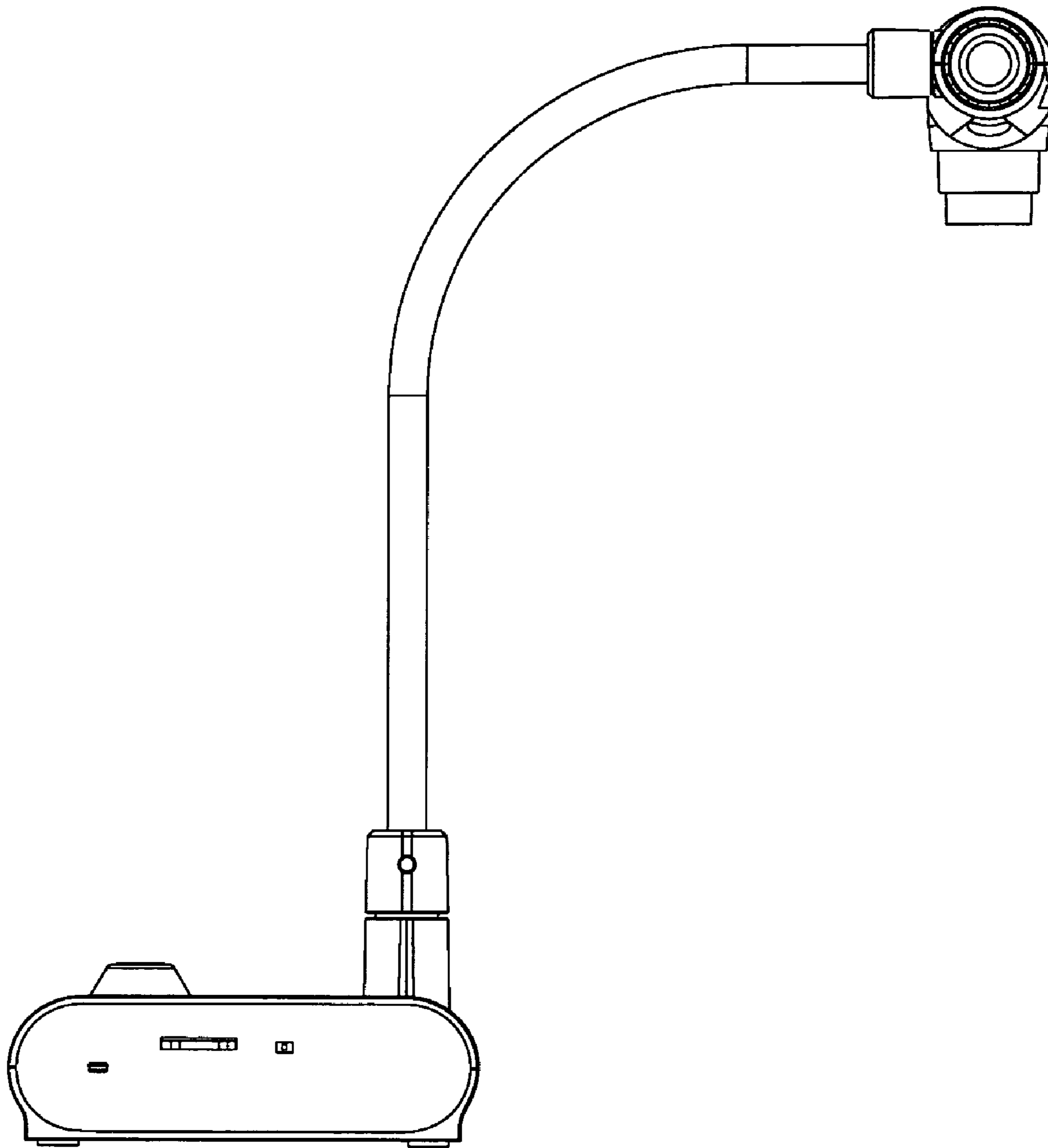


FIG. 7

