



US00D626163S

(12) **United States Design Patent**
Takano

(10) **Patent No.:** **US D626,163 S**

(45) **Date of Patent:** **** Oct. 26, 2010**

(54) **SURVEILLANCE SENSOR**

(75) Inventor: **Hiroshi Takano**, Otsu (JP)

(73) Assignee: **Optex Co., Ltd.**, Shiga (JP)

(**) Term: **14 Years**

(21) Appl. No.: **29/321,730**

(22) Filed: **Jul. 22, 2008**

(51) **LOC (9) Cl.** **16-01**

(52) **U.S. Cl.** **D16/203**

(58) **Field of Classification Search** D16/200–205,
D16/208, 218–219; 348/143, 151, 169, 373–375,
348/131, 163; 396/427, 535–541, 428, 419;
248/181.1, 181.2, 182.1, 183.2, 186.2, 185.1
See application file for complete search history.

(56) **References Cited**

U.S. PATENT DOCUMENTS

5,224,675	A *	7/1993	Ellenberger et al.	396/427
5,790,910	A *	8/1998	Haskin	396/427
6,686,952	B1 *	2/2004	Brazier	348/143
6,793,415	B2 *	9/2004	Arbuckle	348/373
6,894,724	B2 *	5/2005	Patel et al.	348/373
D550,740	S *	9/2007	Satoh et al.	D16/203
D555,691	S *	11/2007	Kato et al.	D16/203
D576,193	S *	9/2008	Su et al.	D16/203

D585,926	S *	2/2009	Su et al.	D16/203
2007/0152116	A1 *	7/2007	Madsen	248/181.1
2008/0121767	A1 *	5/2008	Wimberley	248/181.1

* cited by examiner

Primary Examiner—Ian Simmons

Assistant Examiner—Wan Laymon

(74) *Attorney, Agent, or Firm*—Sughrue Mion, PLLC

(57) **CLAIM**

The ornamental design for a surveillance sensor, as shown and described.

DESCRIPTION

FIG. 1 is a front elevational view of a surveillance sensor according to an embodiment of my new design;

FIG. 2 is a rear elevational view thereof;

FIG. 3 is a left side elevational view thereof;

FIG. 4 is a right side elevational view thereof;

FIG. 5 is a top plan view thereof;

FIG. 6 is a bottom plan view thereof; and,

FIG. 7 is a perspective view thereof.

The broken line showing portions of the surveillance sensor is included for illustrating environmental structure and forms no part of the claimed design.

1 Claim, 7 Drawing Sheets

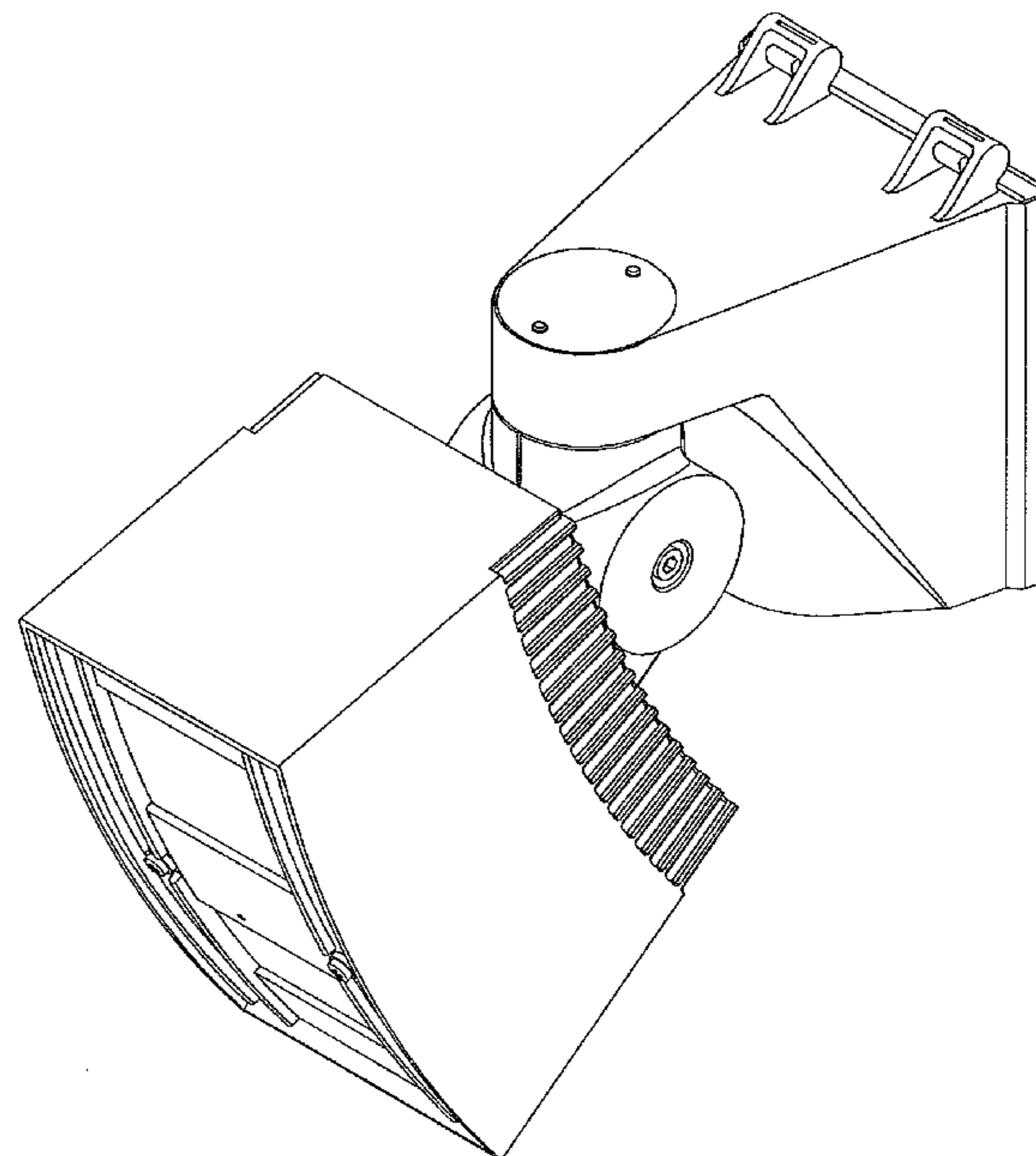
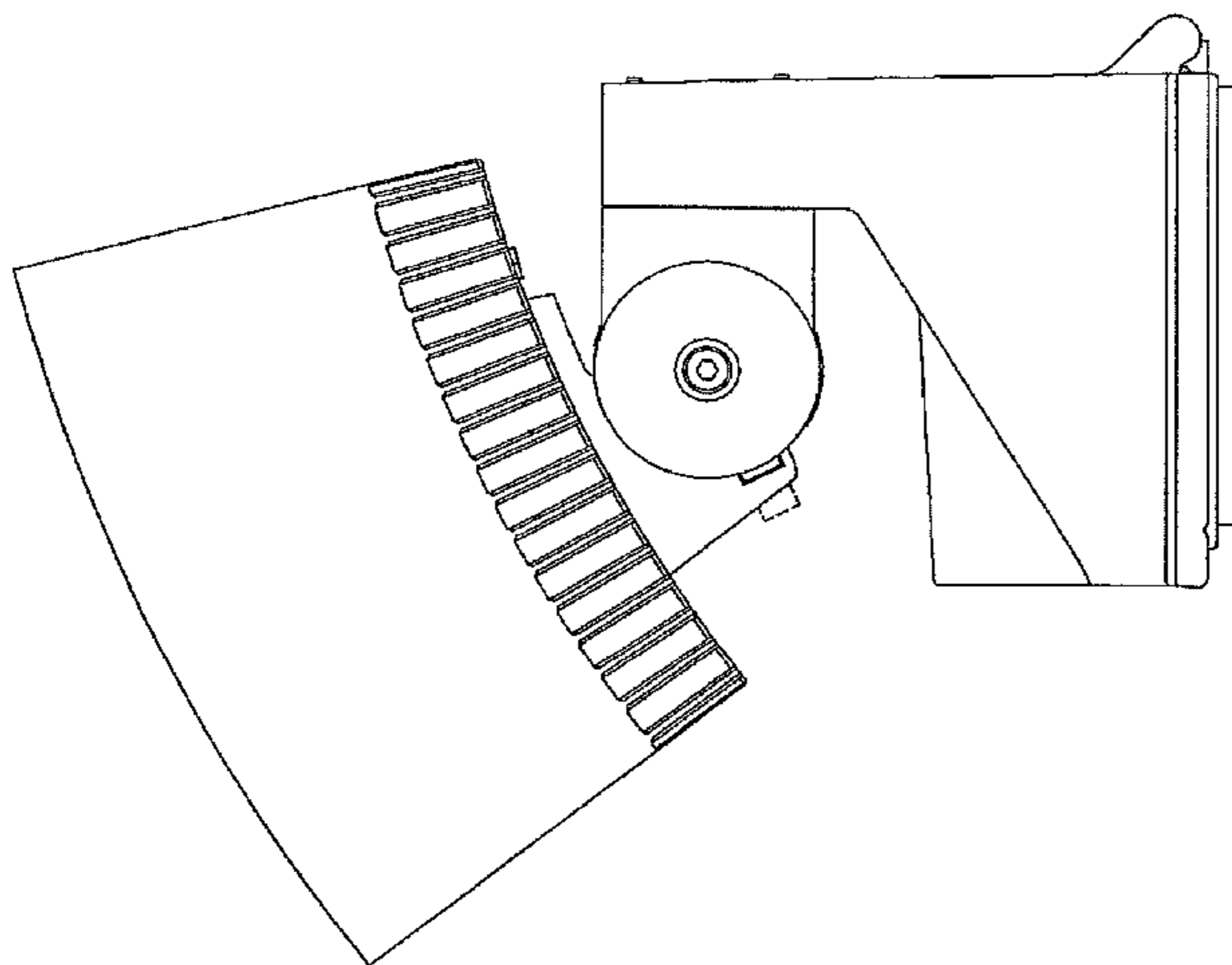


Fig. 1

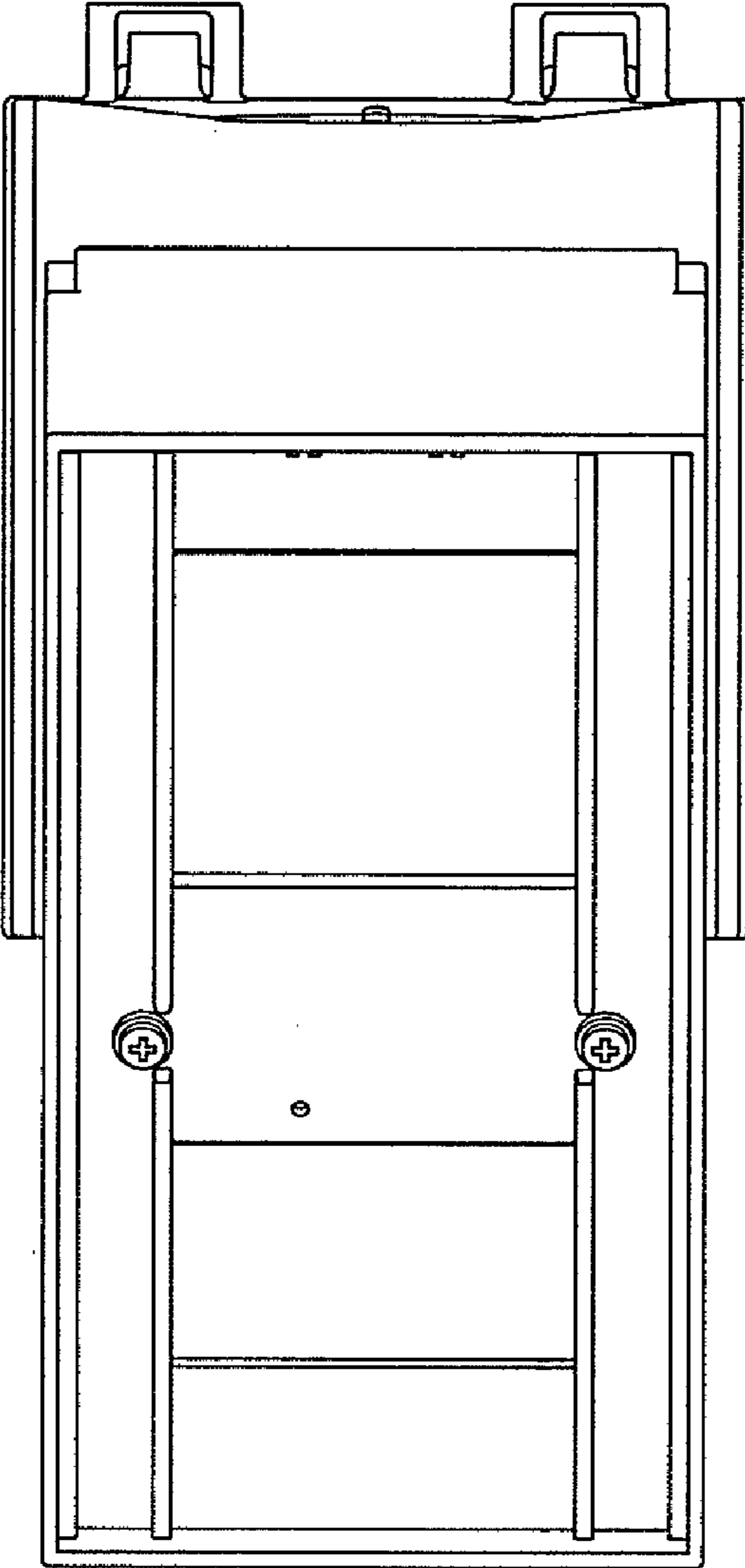


Fig. 2

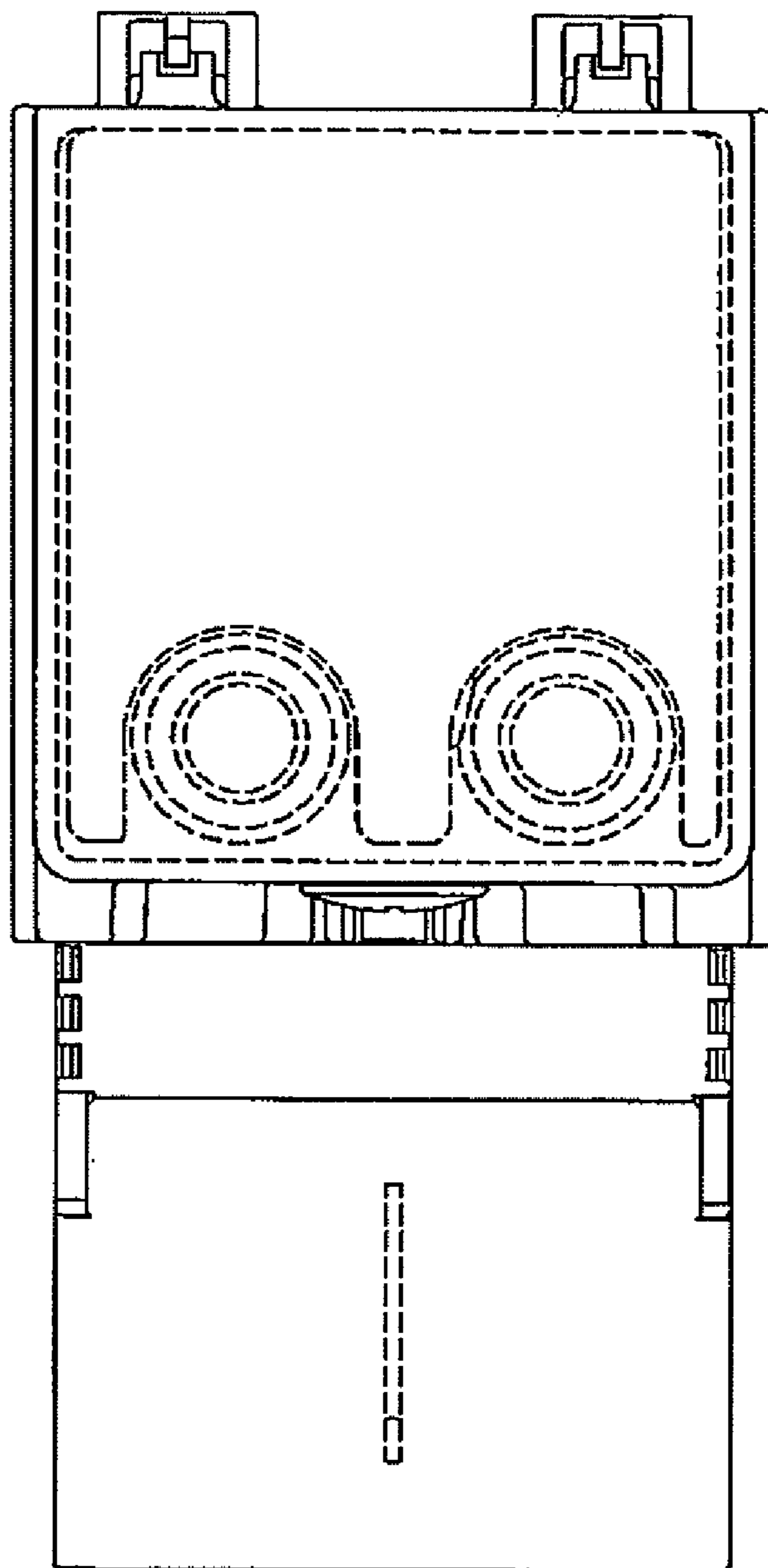


Fig. 3

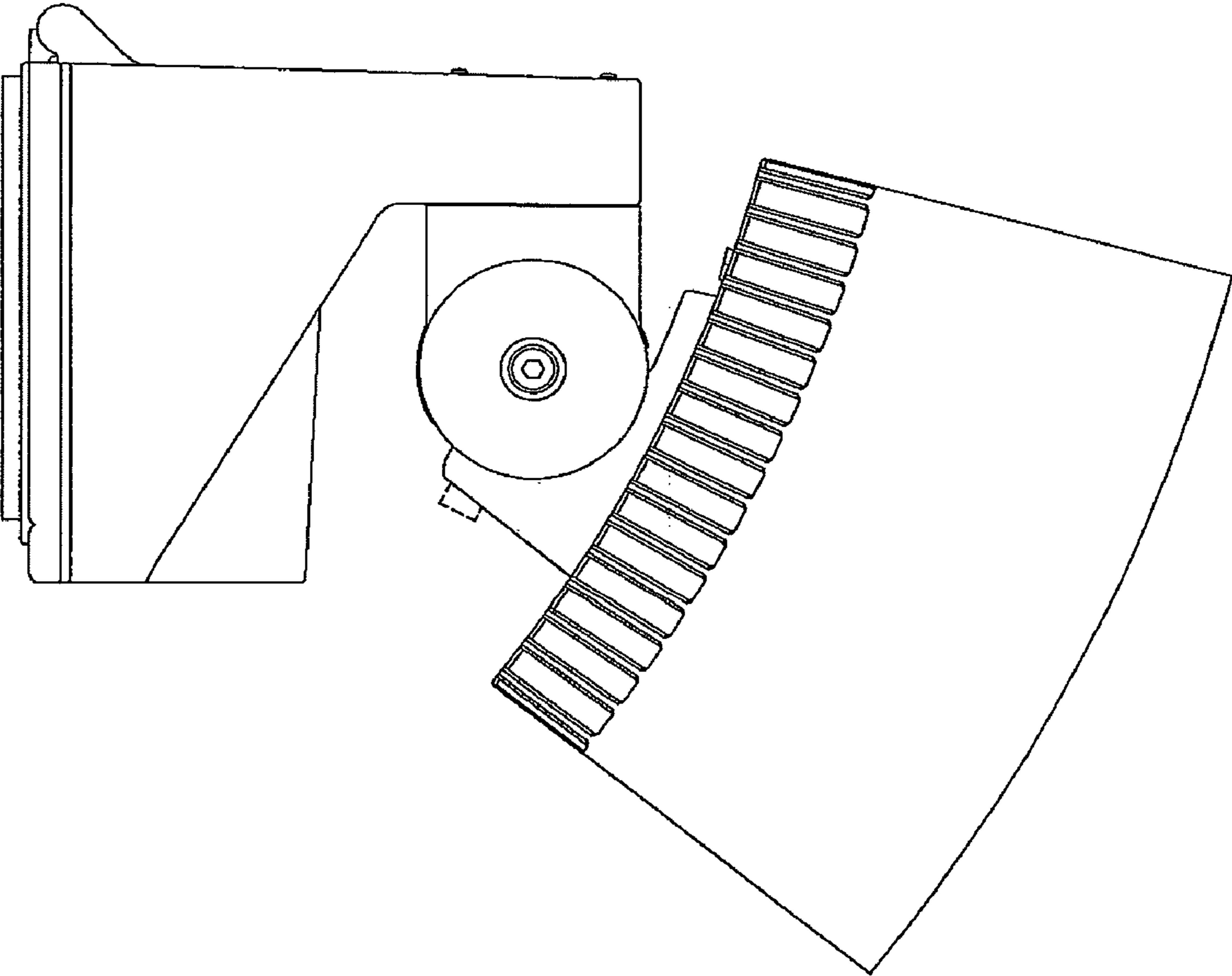


Fig. 4

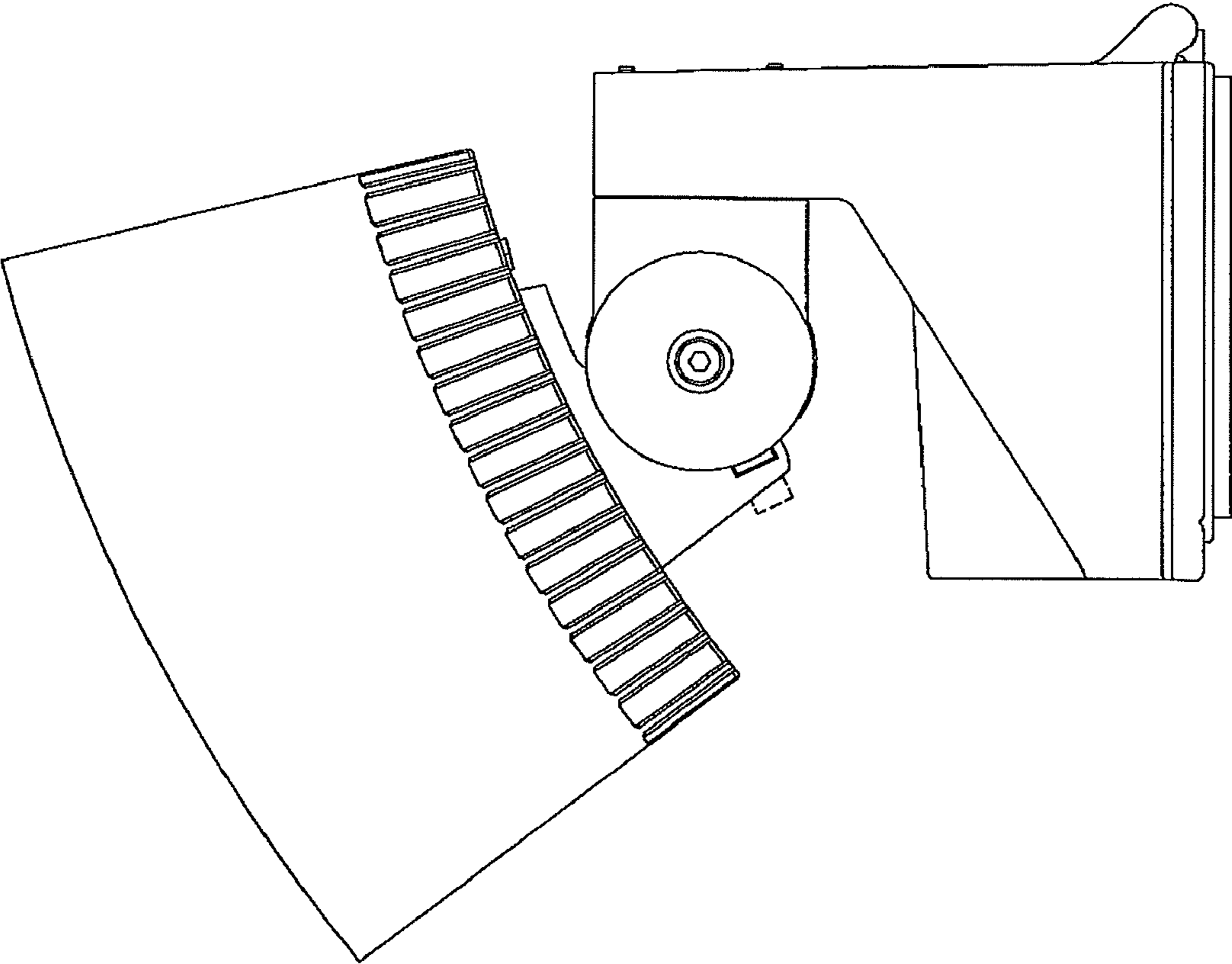


Fig. 5

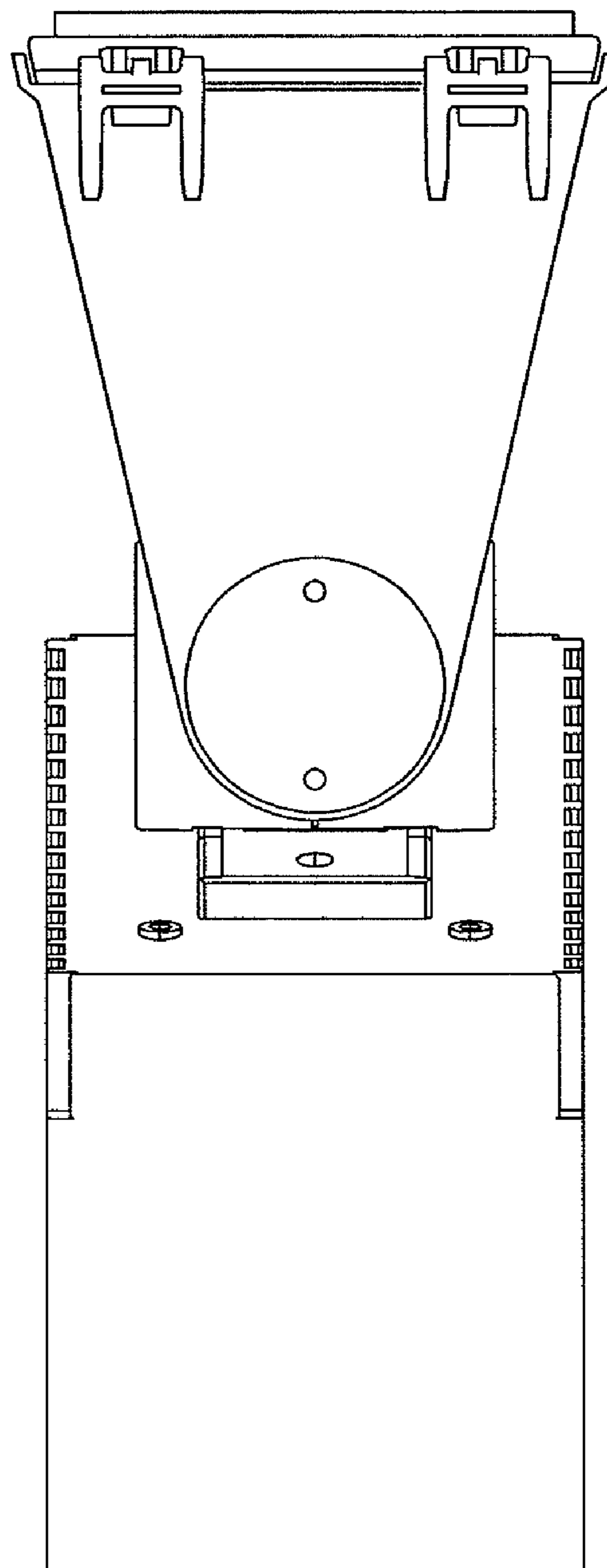


Fig. 6

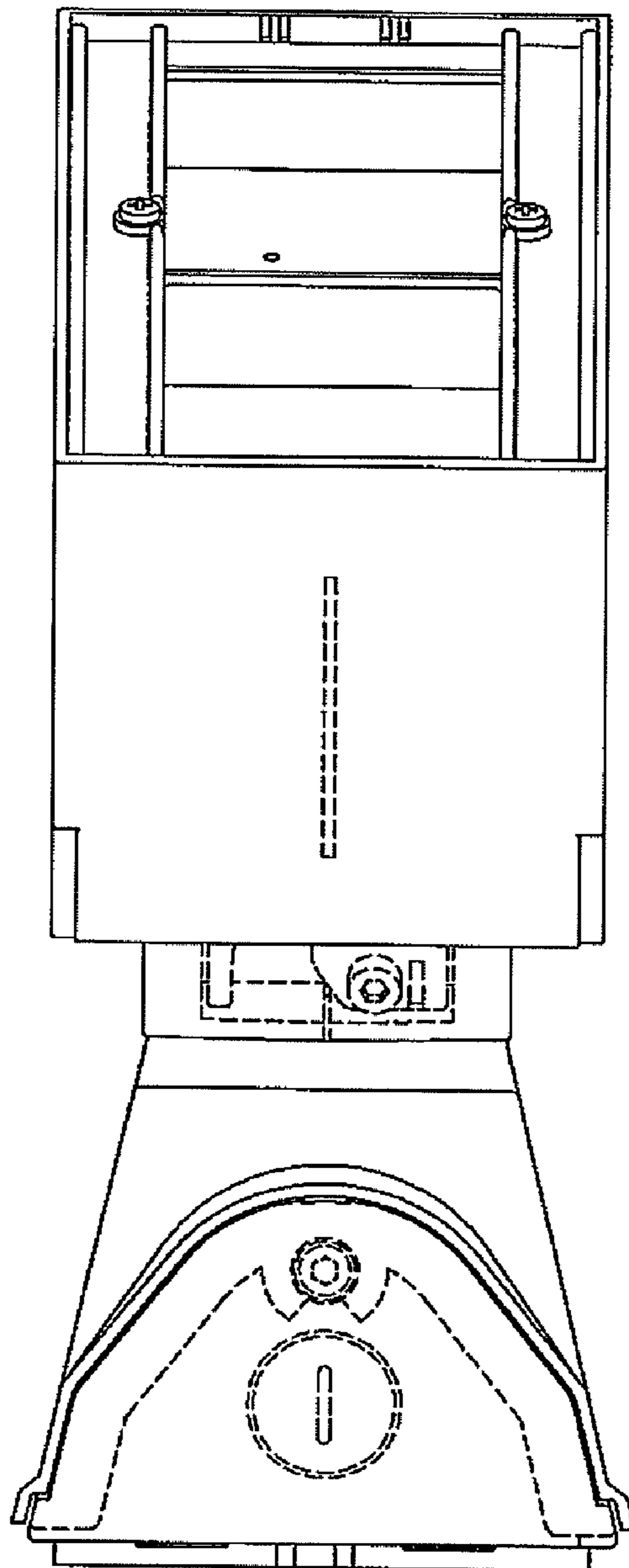


Fig. 7

