



US00D626162S

(12) **United States Design Patent**
Suzuki et al.

(10) **Patent No.:** **US D626,162 S**

(45) **Date of Patent:** **** Oct. 26, 2010**

(54) **MICROSCOPE BODY**

D507,006 S * 7/2005 Apotheloz et al. D16/131
D516,595 S * 3/2006 Apotheloz et al. D16/131

(75) Inventors: **Koji Suzuki**, Yokohama (JP); **Yoshihiro Hayashi**, Hachioji (JP); **Kenji Tajima**, Hachioji (JP); **Masayoshi Karasawa**, Hachioji (JP); **Keiji Shimizu**, Fussa (JP)

* cited by examiner

Primary Examiner—Paula Greene
(74) *Attorney, Agent, or Firm*—Scully, Scott, Murphy & Presser, P.C.

(73) Assignee: **Olympus Corporation**, Tokyo (JP)

(**) Term: **14 Years**

(57) **CLAIM**

(21) Appl. No.: **29/344,776**

The ornamental design for microscope body, as shown and described.

(22) Filed: **Oct. 5, 2009**

DESCRIPTION

(51) **LOC (9) Cl.** **16-06**

FIG. 1 is a top, front and left side perspective view of a microscope body showing our new design;

(52) **U.S. Cl.** **D16/131**

FIG. 2 is a right side view thereof, the left side view thereof being a mirror image of the right side view shown;

(58) **Field of Classification Search** D16/130,
D16/131, 136; 359/368, 376, 381, 382, 383,
359/384, 385, 388, 393, 390

FIG. 3 is a front view thereof;

See application file for complete search history.

FIG. 4 is a rear view thereof;

(56) **References Cited**

FIG. 5 is a top plan view thereof;

U.S. PATENT DOCUMENTS

FIG. 6 is a bottom plan view thereof;

D195,998 S *	8/1963	Aubock	D16/131
D252,276 S *	7/1979	Griffith	D16/131
4,168,881 A *	9/1979	Rosenberger	359/381
D260,402 S *	8/1981	Hodgson	D16/131
4,284,327 A *	8/1981	Kraft et al.	359/388
D291,702 S *	9/1987	Kahute	D16/131
D345,748 S *	4/1994	Holbl	D16/131
D400,548 S *	11/1998	Komatsuzaki	D16/131
D419,168 S *	1/2000	Franks et al.	D16/131
D429,265 S *	8/2000	Holbl et al.	D16/131
D444,159 S *	6/2001	Hoelbl et al.	D16/131
D445,813 S *	7/2001	Asaka et al.	D16/131
D464,068 S *	10/2002	Asaka et al.	D16/131
D465,799 S *	11/2002	Asaka et al.	D16/131
D498,247 S *	11/2004	Suzuki et al.	D16/131

FIG. 7 is a cross-sectional view thereof taken along X—X line of FIG. 3;

FIG. 8 is a cross-sectional view thereof taken along XI—XI line of FIG. 3;

FIG. 9 is a cross-sectional view thereof taken along XII—XII line of FIG. 5; and,

FIG. 10 is a top, front and left side perspective view of the microscope body. The microscope shown in broken lines form no part of the claimed design for the microscope body.

The broken lines in the figures form no part of the claimed design.

1 Claim, 5 Drawing Sheets

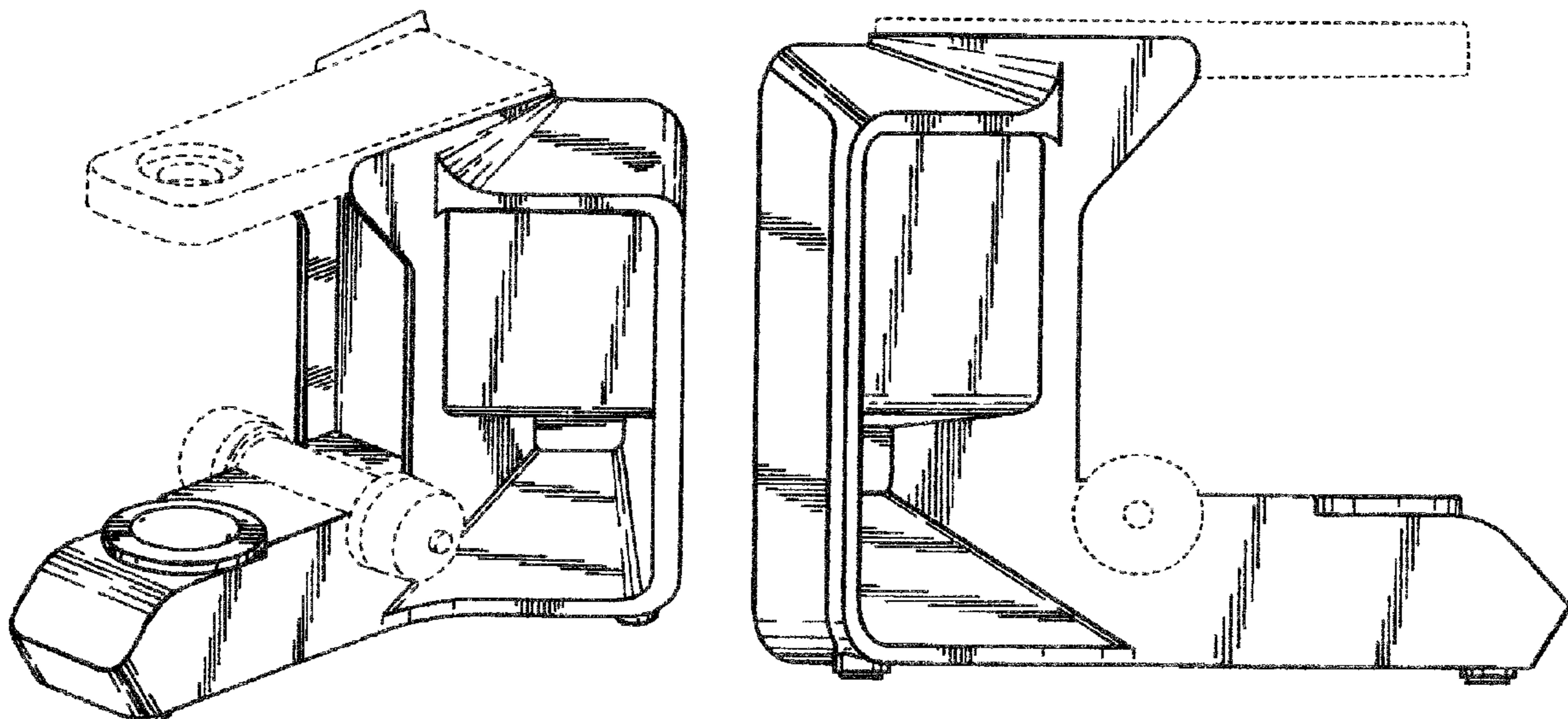


FIG. 1

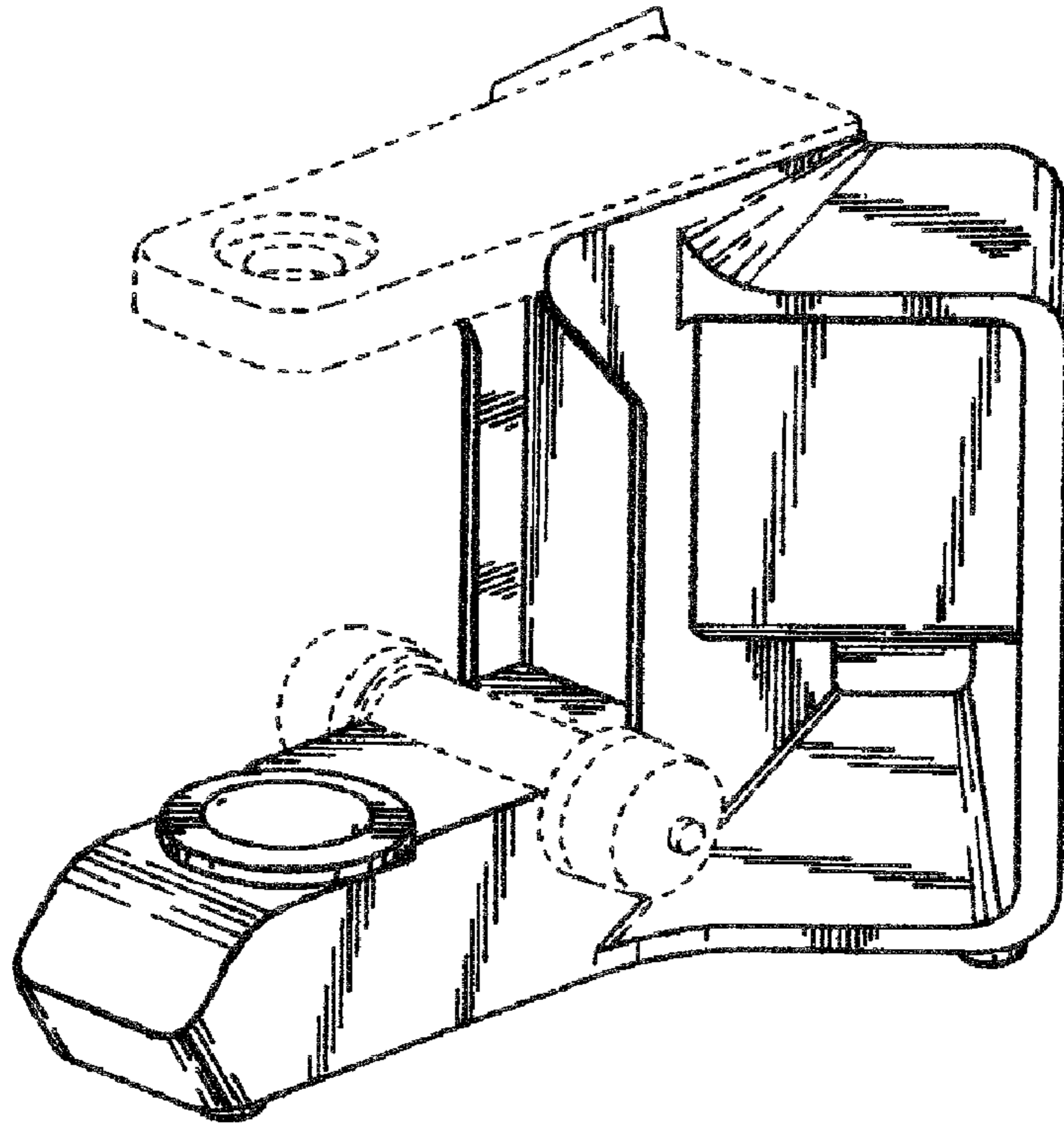


FIG. 2

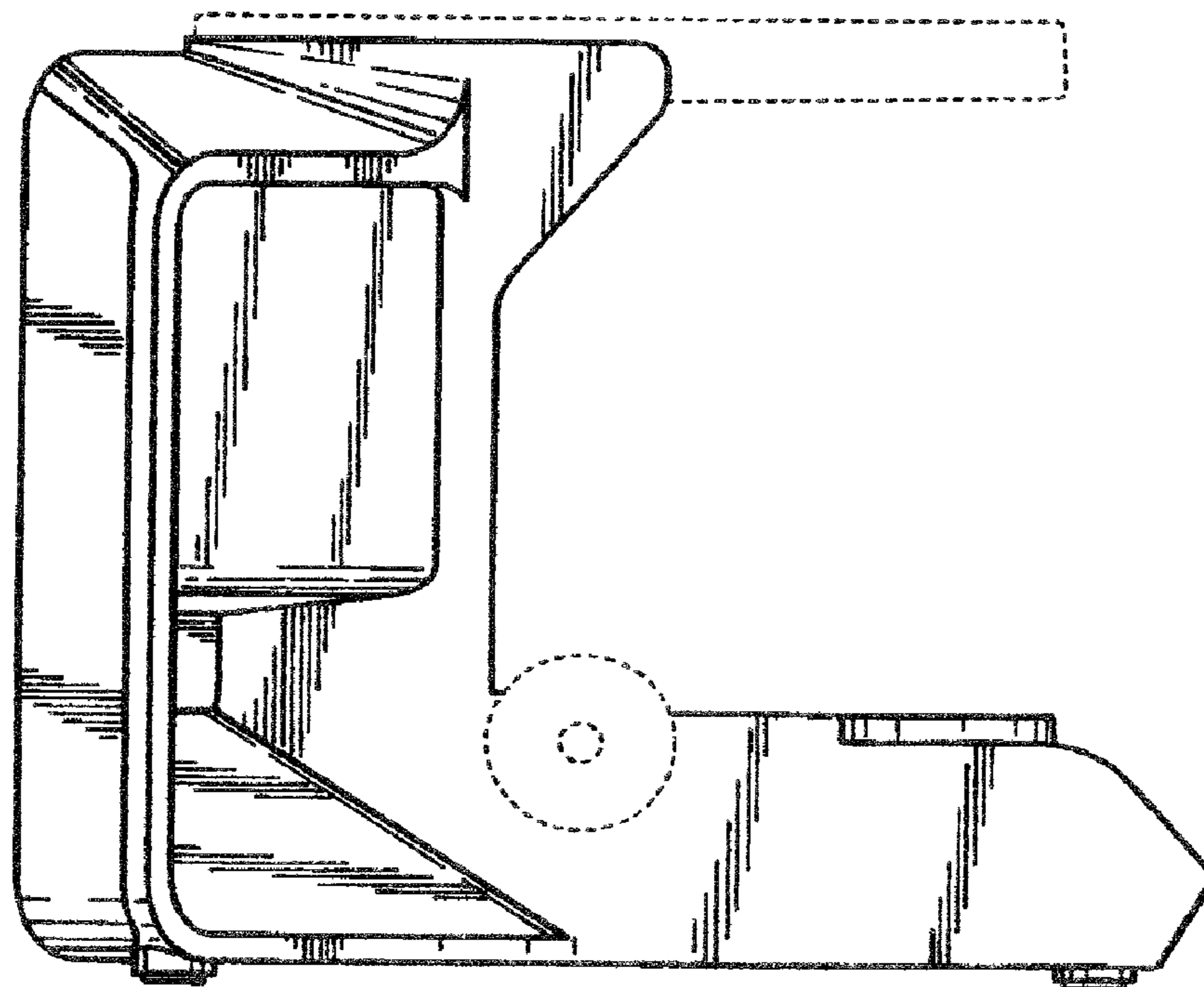


FIG. 3

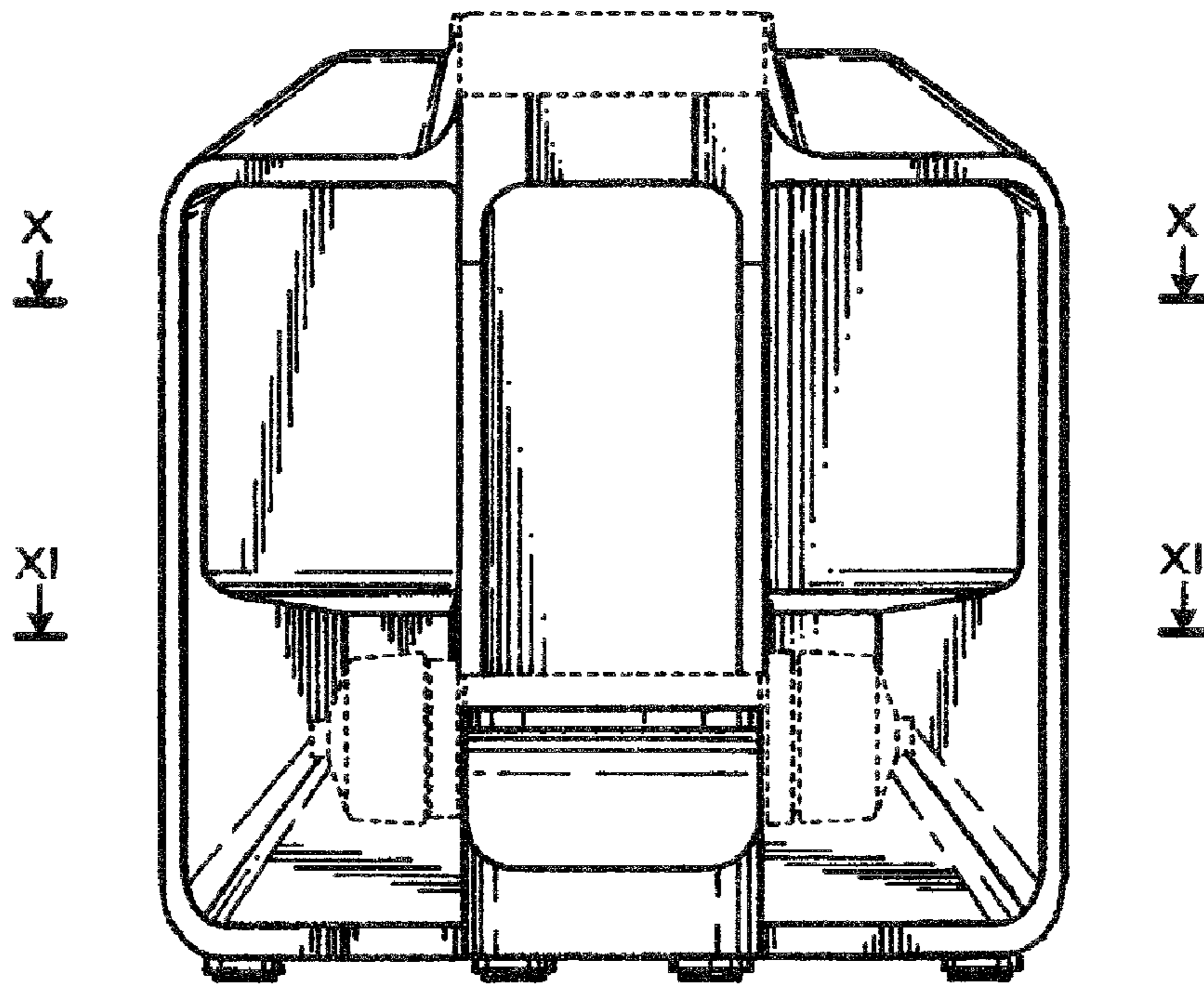


FIG. 4

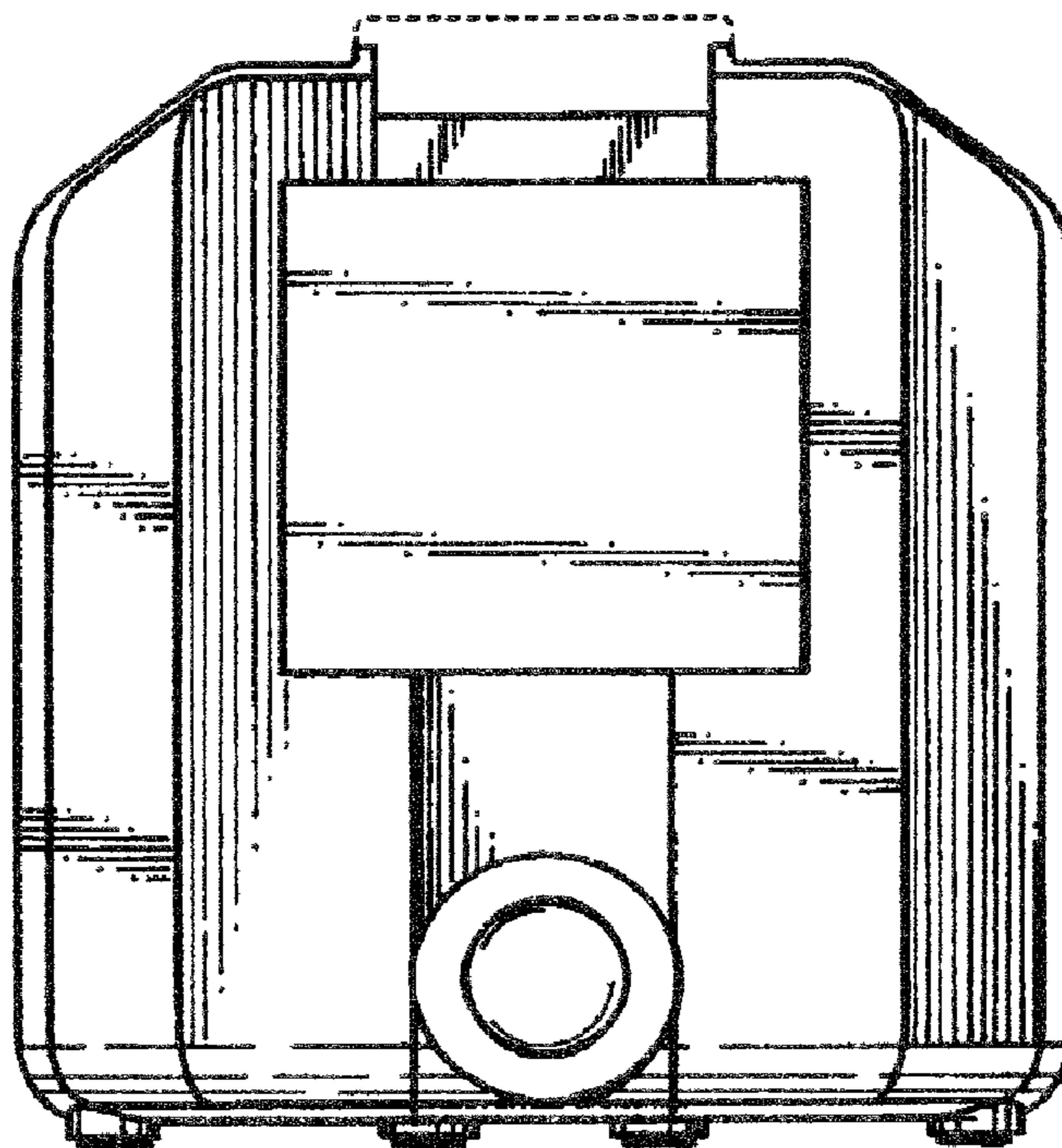


FIG. 5

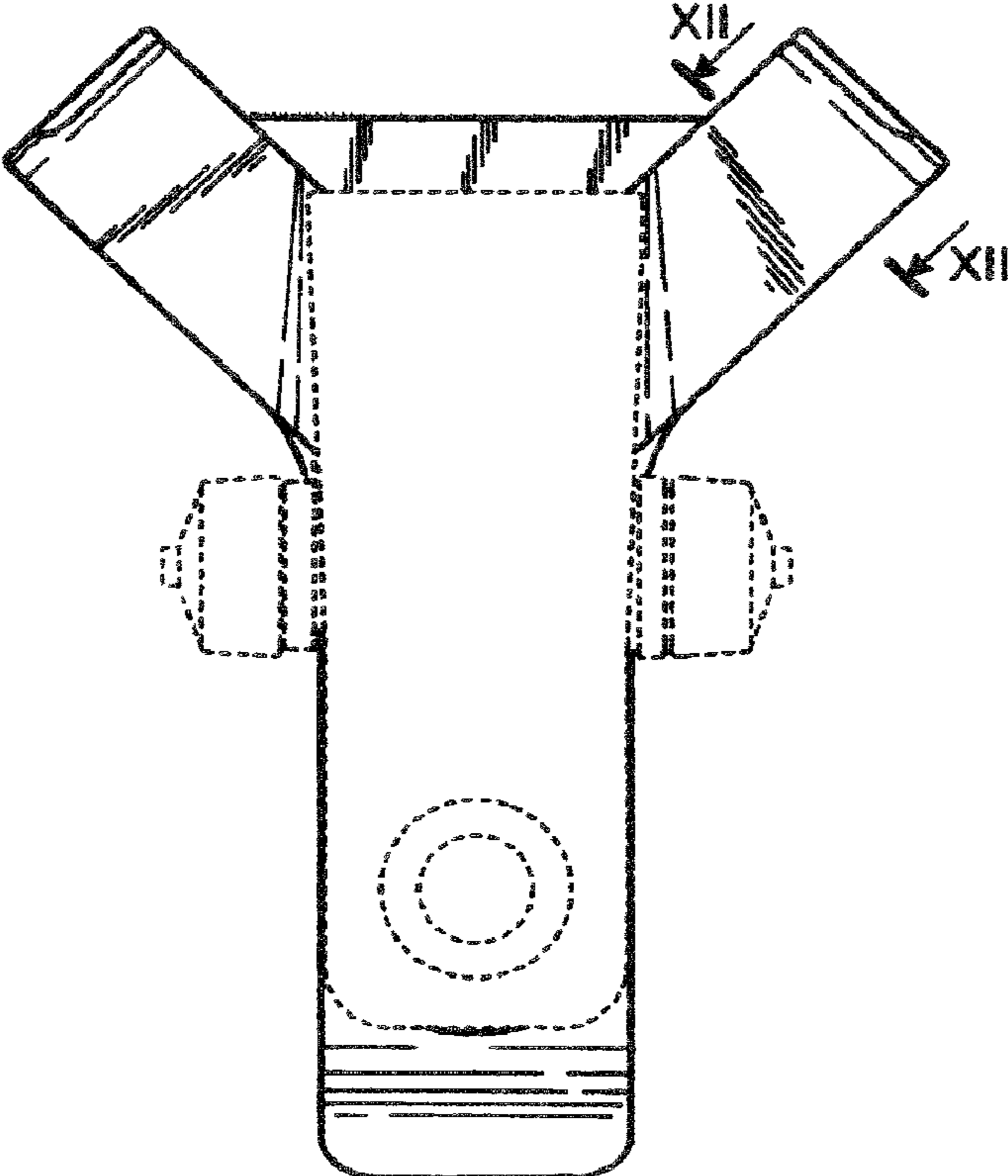


FIG. 6

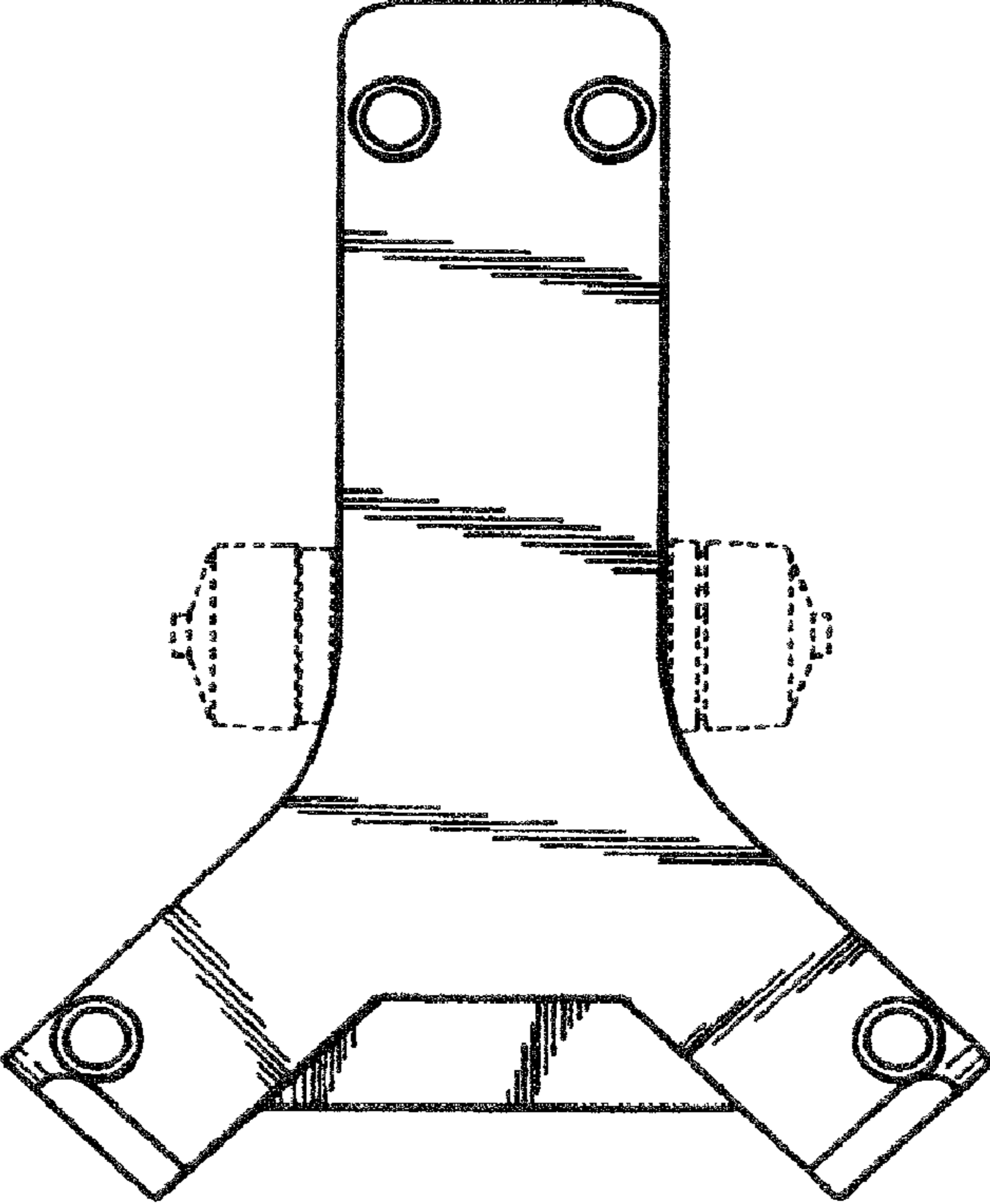


FIG. 7

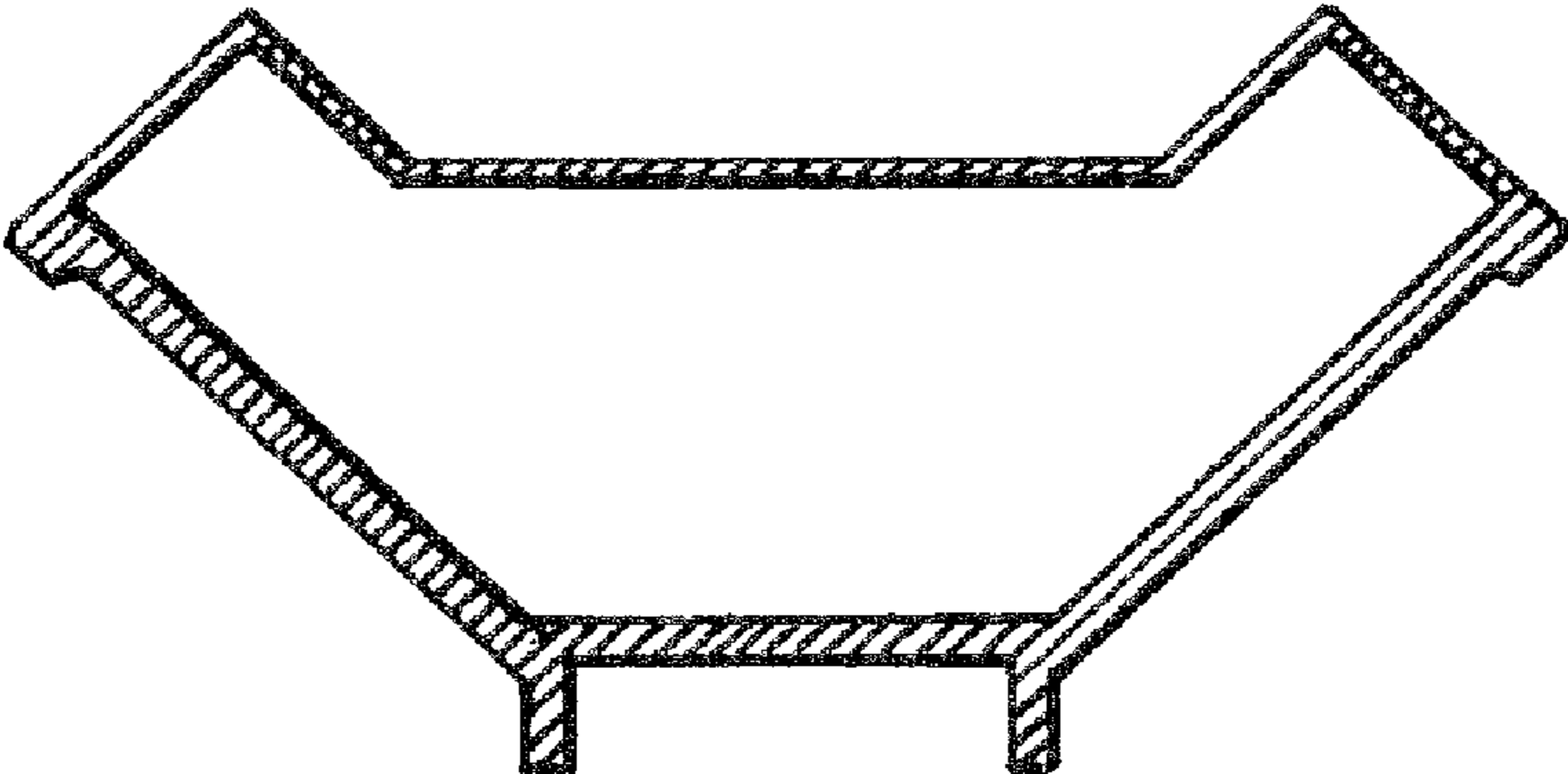


FIG. 8

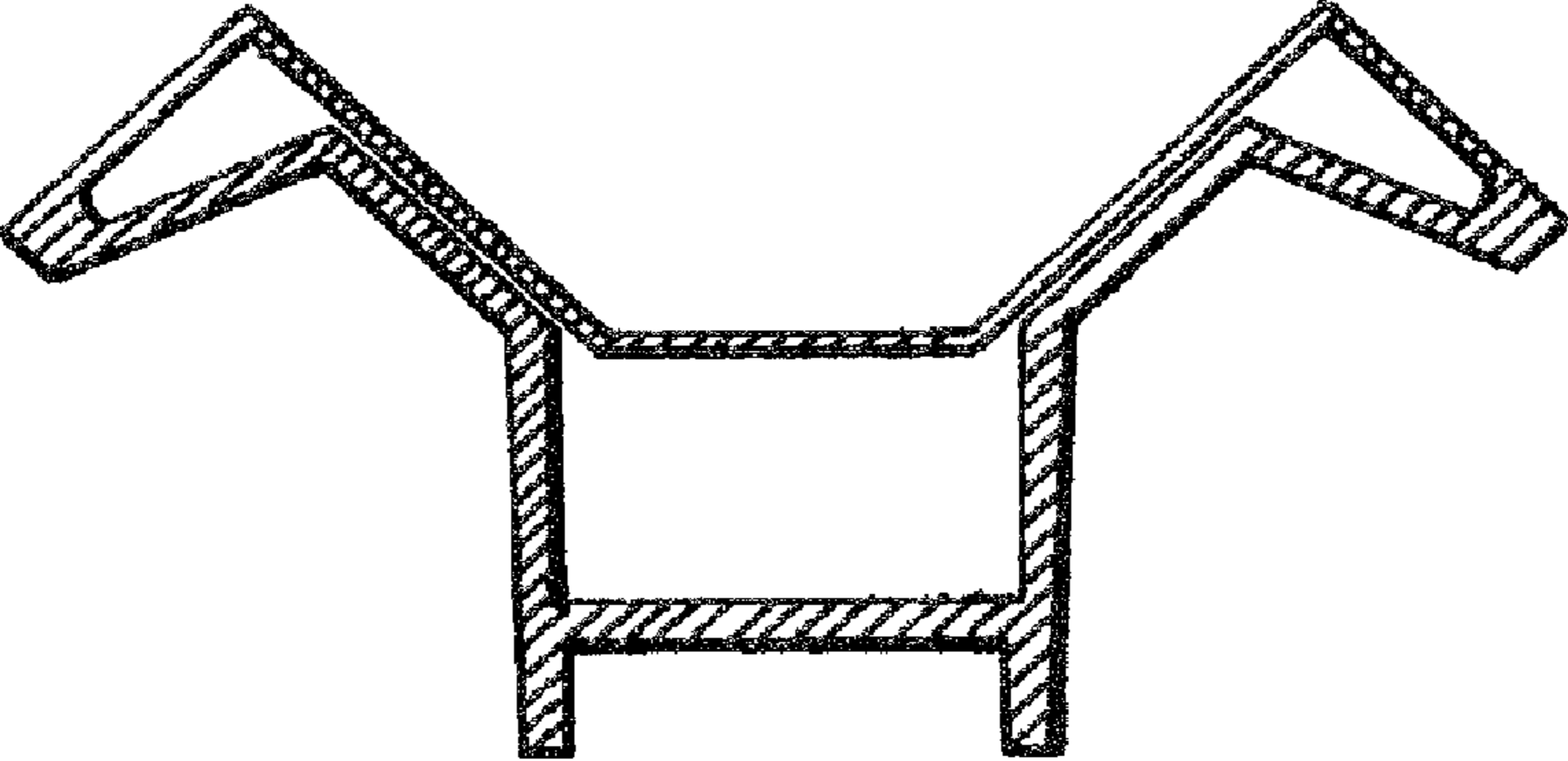


FIG. 9

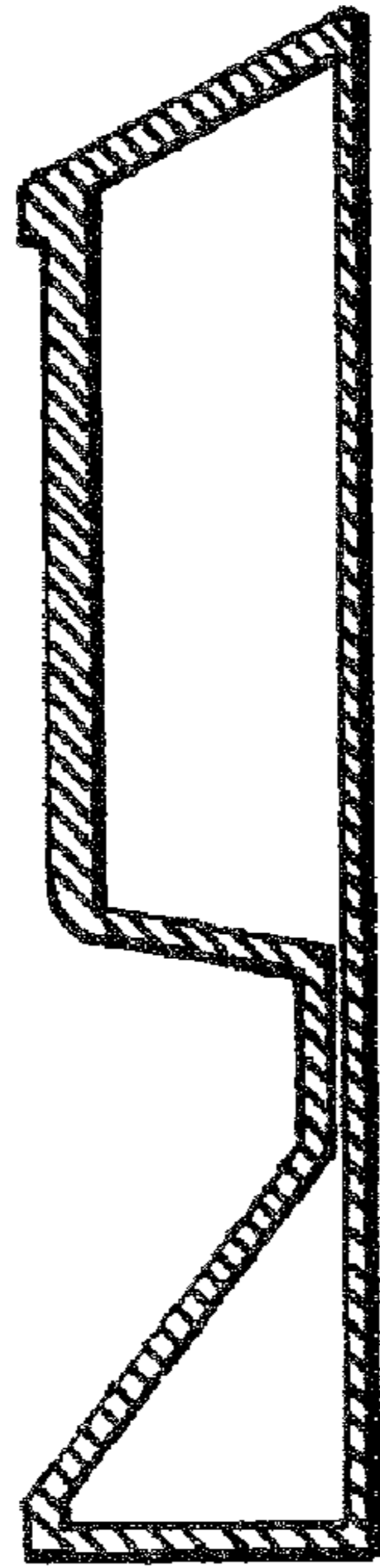


FIG. 10

