



US00D626161S

(12) **United States Design Patent**
Torre

(10) **Patent No.:** **US D626,161 S**
(45) **Date of Patent:** **** Oct. 26, 2010**

(54) **PACKAGING MACHINE**

(75) Inventor: **Fabio Torre**, Dalmine (IT)
(73) Assignee: **Minipack-Torre S.p.A.**, Dalmine (BG)
(IT)
(**) Term: **14 Years**
(21) Appl. No.: **29/344,242**
(22) Filed: **Sep. 25, 2009**

(51) **LOC (9) Cl.** **15-99**
(52) **U.S. Cl.** **D15/145**
(58) **Field of Classification Search** D15/122,
D15/125; D18/36, 39, 53, 55; 53/167, 202,
53/203, 266.1, 279, 284.5, 285, 370.7, 370.9,
53/381.1, 426, 558, 563, 565; 100/25, 26,
100/29, 32

See application file for complete search history.

(56) **References Cited**

U.S. PATENT DOCUMENTS

D126,083 S * 3/1941 Rosengren D15/145

(Continued)

Primary Examiner—Patricia Palasik

(74) *Attorney, Agent, or Firm*—David A. Farah; Sheldon Mak & Anderson PC

(57) **CLAIM**

The ornamental design of a packaging machine, as shown and described.

DESCRIPTION

FIG. 1 is a front-top-right side perspective view of a packaging machine according to a first embodiment of my new design;

FIG. 2 is a front perspective view of the packaging machine shown in FIG. 1;

FIG. 3 is a top perspective view of the packaging machine shown in FIG. 1;

FIG. 4 is a back perspective view of the packaging machine shown in FIG. 1;

FIG. 5 is a bottom perspective view of the packaging machine shown in FIG. 1;

FIG. 6 is a right side perspective view of the packaging machine shown in FIG. 1;

FIG. 7 is a left side perspective view of the packaging machine shown in FIG. 1 shown with the top lid raised;

FIG. 8 is a front-top-right side perspective view of a packaging machine according to a second embodiment of my new design;

FIG. 9 is a front perspective view of the packaging machine shown in FIG. 8;

FIG. 10 is a top perspective view of the packaging machine shown in FIG. 8;

FIG. 11 is a back perspective view of the packaging machine shown in FIG. 8;

FIG. 12 is a bottom perspective view of the packaging machine shown in FIG. 8;

FIG. 13 is a right side perspective view of the packaging machine shown in FIG. 8;

FIG. 14 is a left side perspective view of the packaging machine shown in FIG. 8 shown with the top lid raised;

FIG. 15 is a front-top-right side perspective view of a packaging machine according to a third embodiment of my new design;

FIG. 16 is a front perspective view of the packaging machine shown in FIG. 15;

FIG. 17 is a top perspective view of the packaging machine shown in FIG. 15;

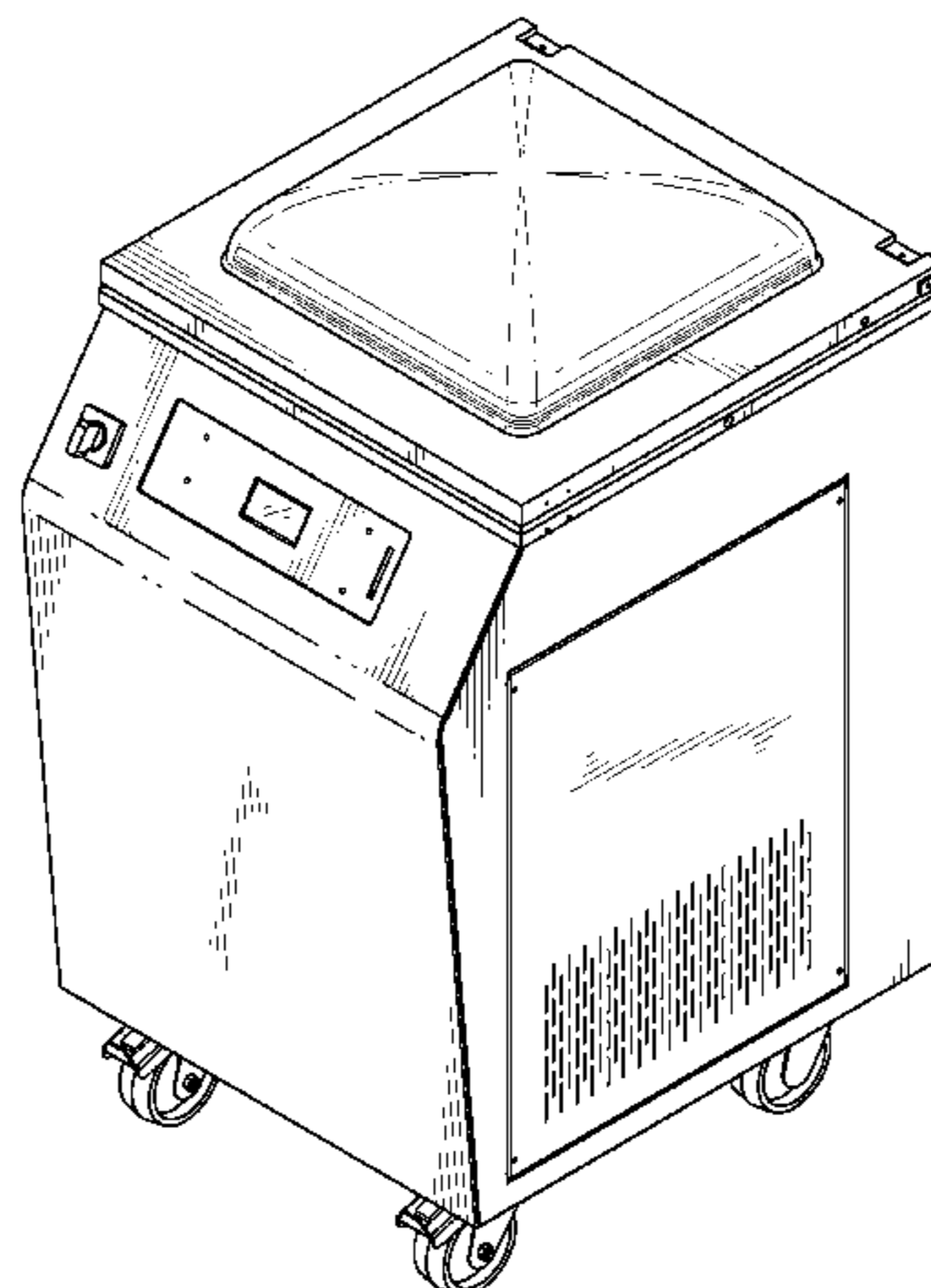
FIG. 18 is a back perspective view of the packaging machine shown in FIG. 15;

FIG. 19 is a bottom perspective view of the packaging machine shown in FIG. 15;

FIG. 20 is a right side perspective view of the packaging machine shown in FIG. 15; and,

FIG. 21 is a left side perspective view of the packaging machine shown in FIG. 15 shown with the top lid raised.

1 Claim, 21 Drawing Sheets



US D626,161 S

Page 2

U.S. PATENT DOCUMENTS

D197,276 S *	1/1964	Brower et al.	D15/122	D481,049 S *	10/2003	Limousin	D15/145
D201,391 S *	6/1965	Hollerith	D15/145	D494,988 S *	8/2004	Tanaka et al.	D15/199
D380,770 S *	7/1997	Muchenberger et al.	D18/51	D497,943 S *	11/2004	LaBarbera	D18/53
D382,893 S *	8/1997	Takenouchi	D18/39	D543,222 S *	5/2007	Pester et al.	D15/145
D412,933 S *	8/1999	Laidlaw	D18/55	D567,271 S *	4/2008	Vine	D15/145
D413,140 S *	8/1999	Ishida et al.	D18/53	D607,049 S *	12/2009	Sasaki et al.	D18/55
D447,768 S *	9/2001	Shiozaki et al.	D18/53	D607,507 S *	1/2010	Kimura et al.	D18/55
D478,117 S *	8/2003	Funato	D18/39	2006/0021299 A1 *	2/2006	Jones	53/461

* cited by examiner

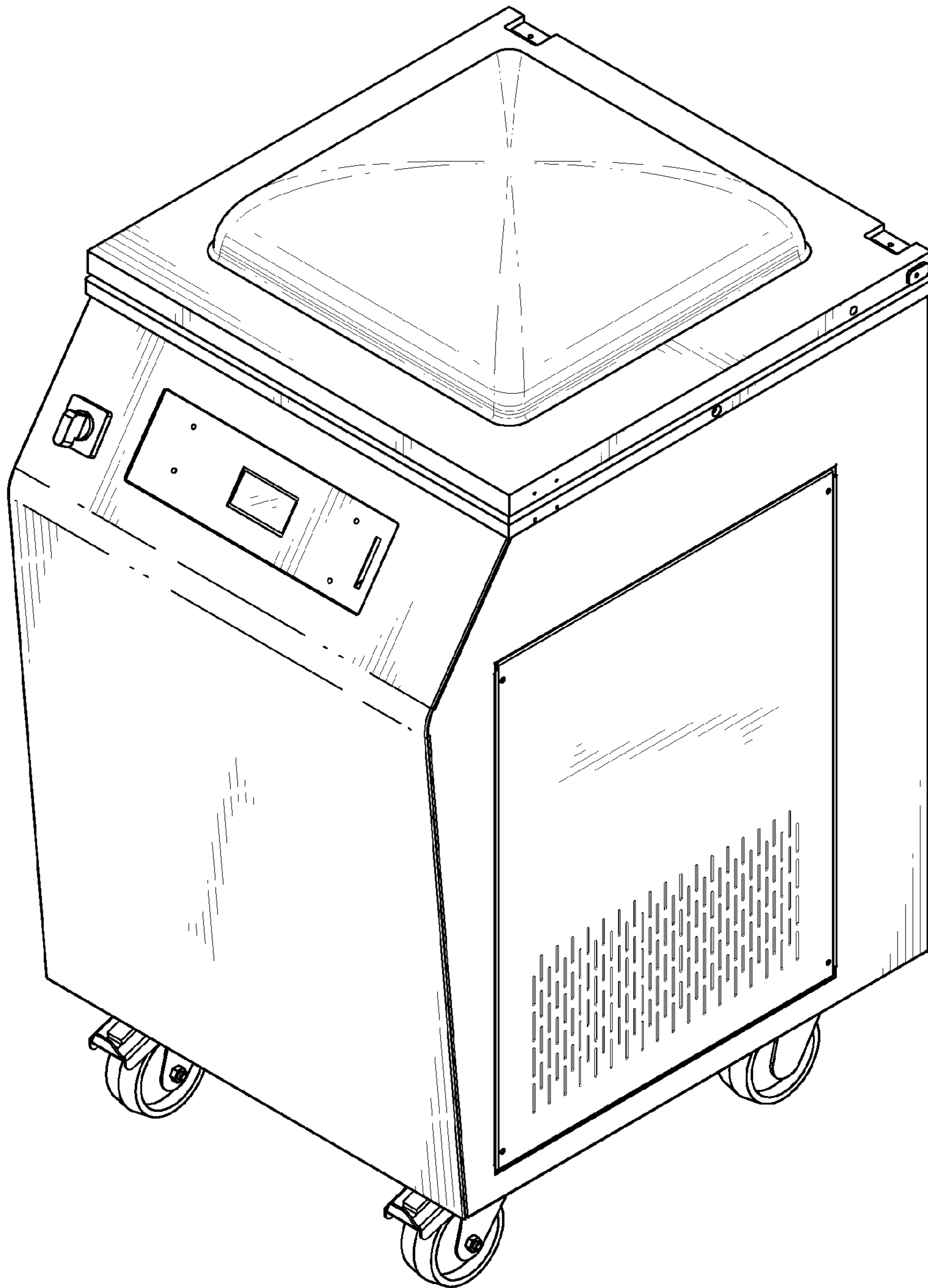


FIG. 1

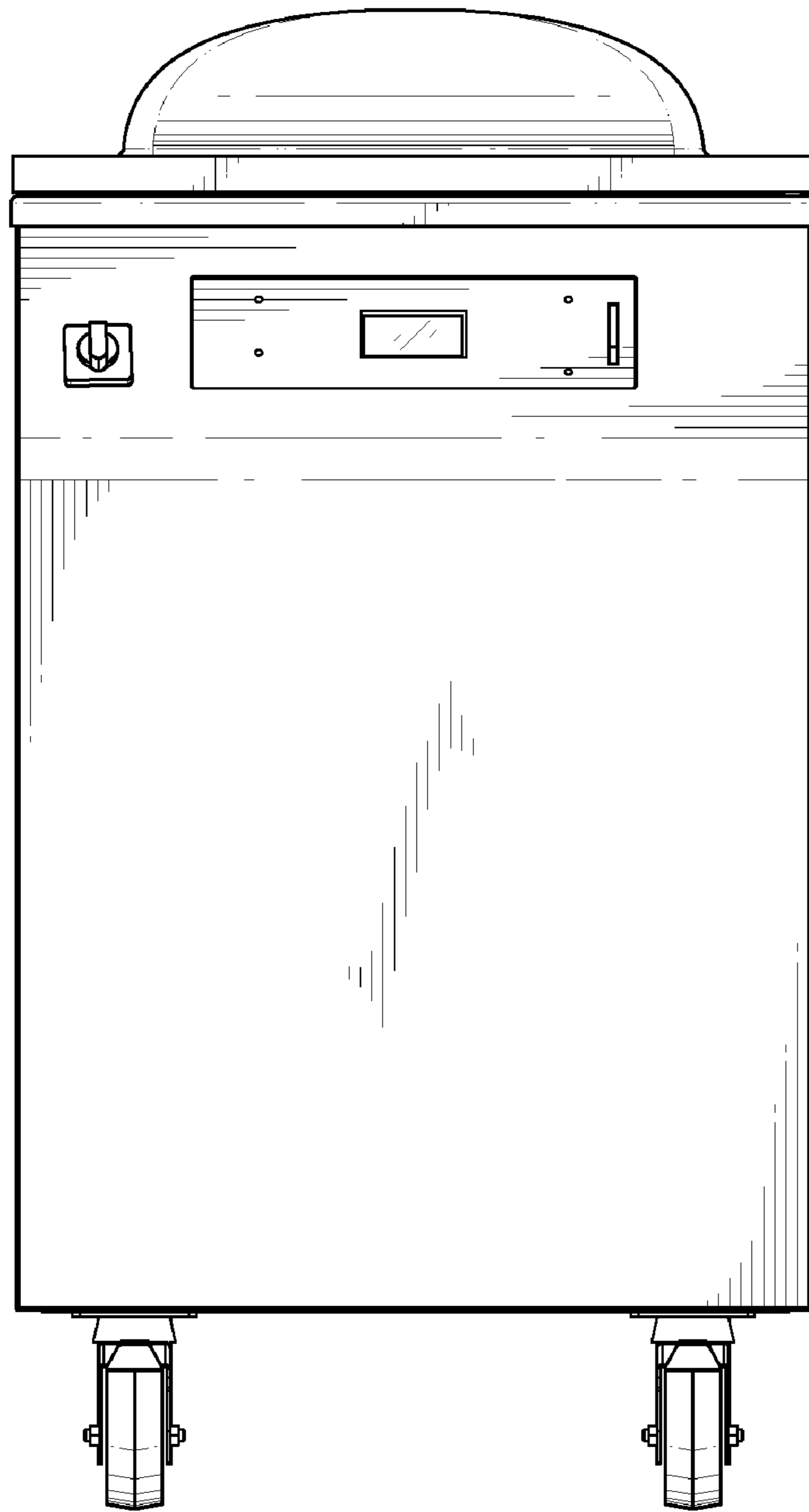


FIG. 2

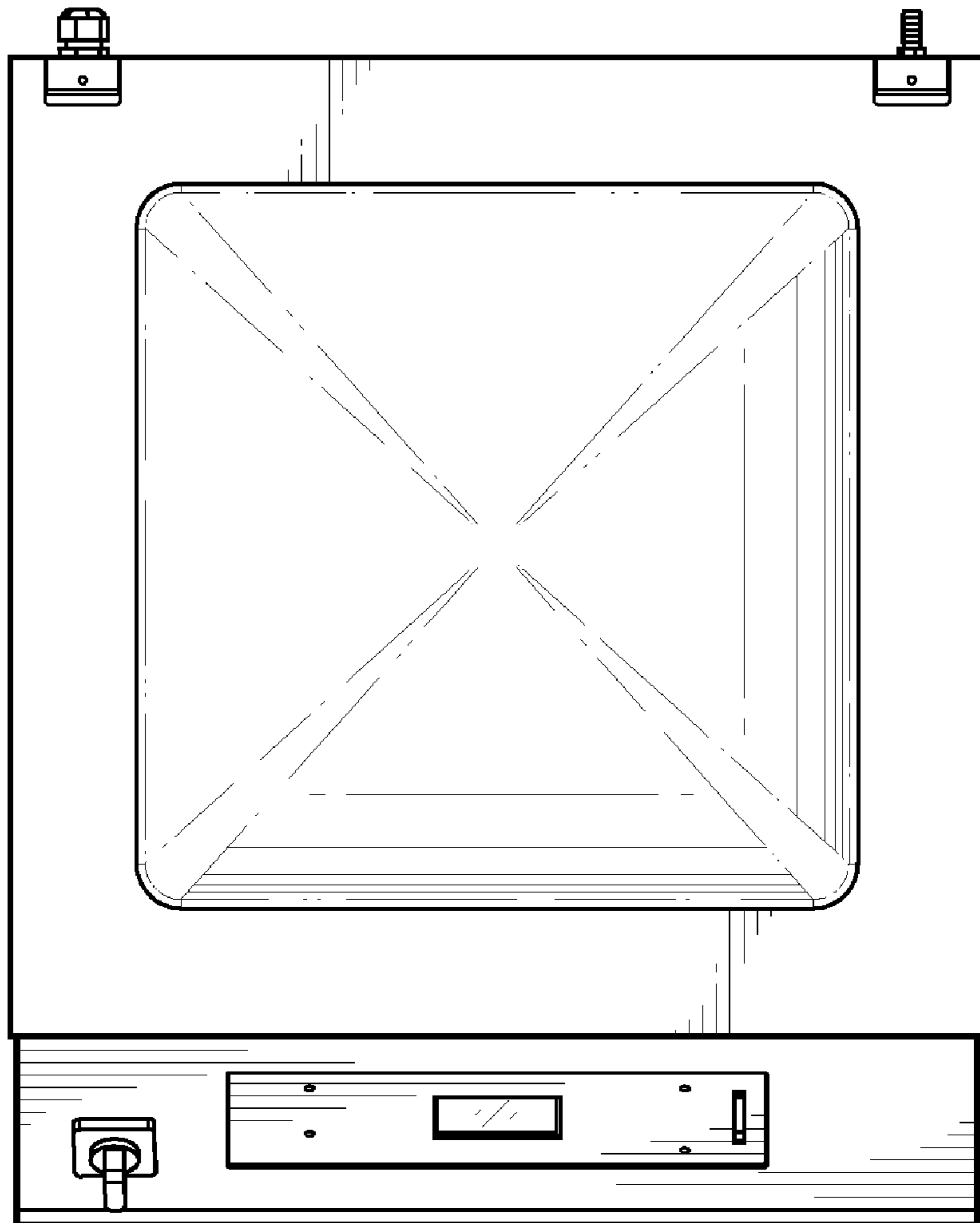


FIG. 3

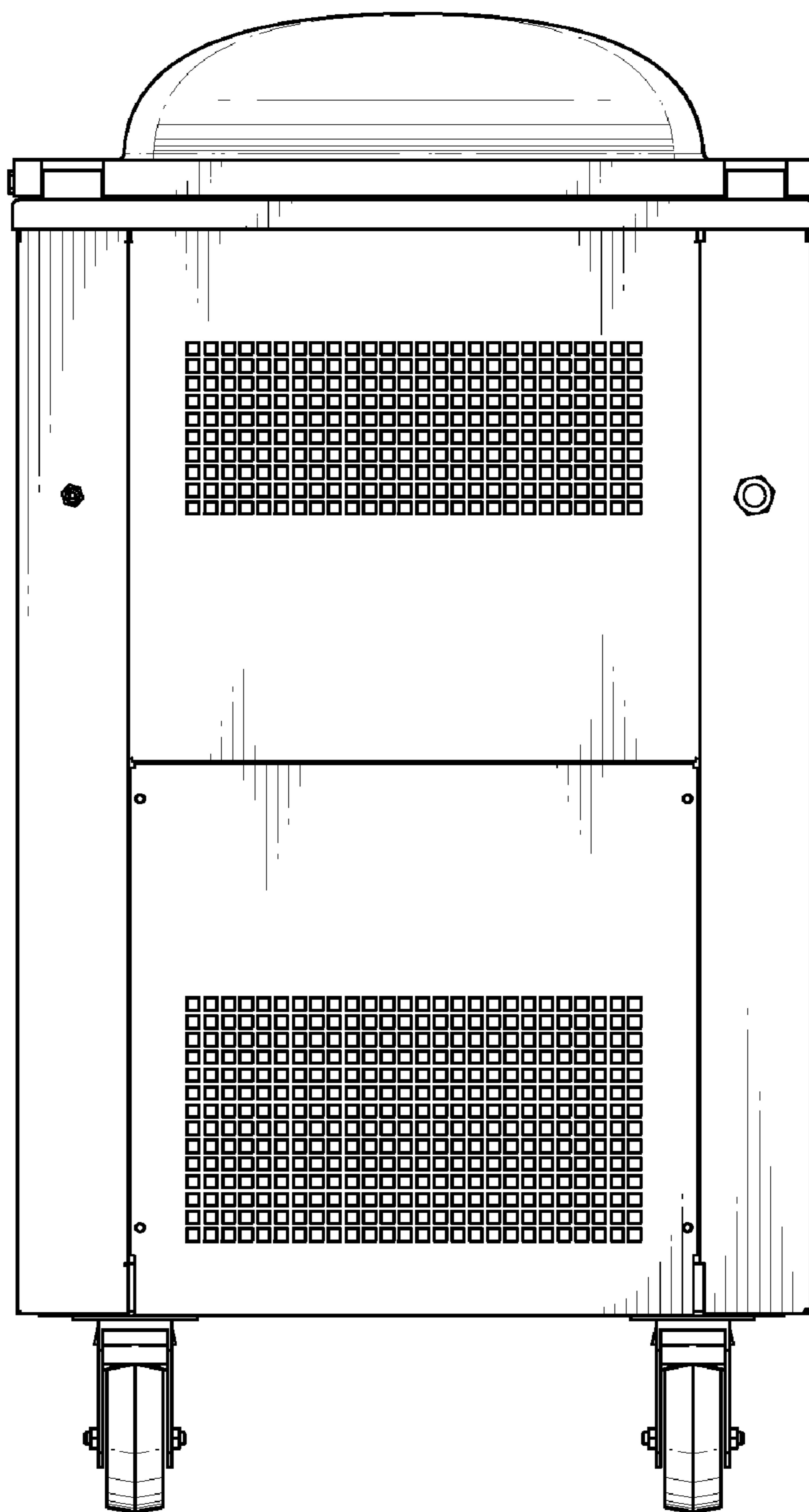


FIG. 4

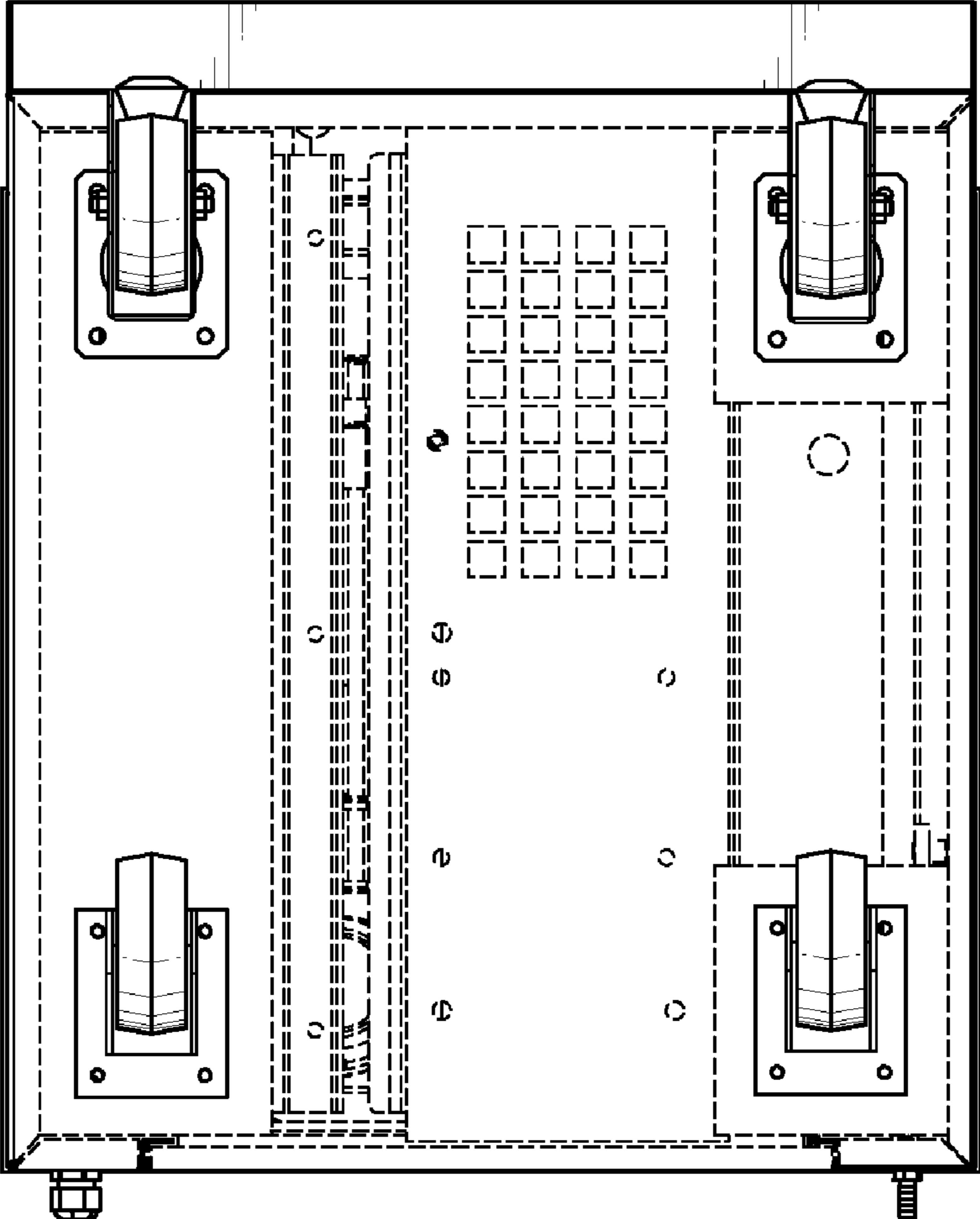


FIG. 5

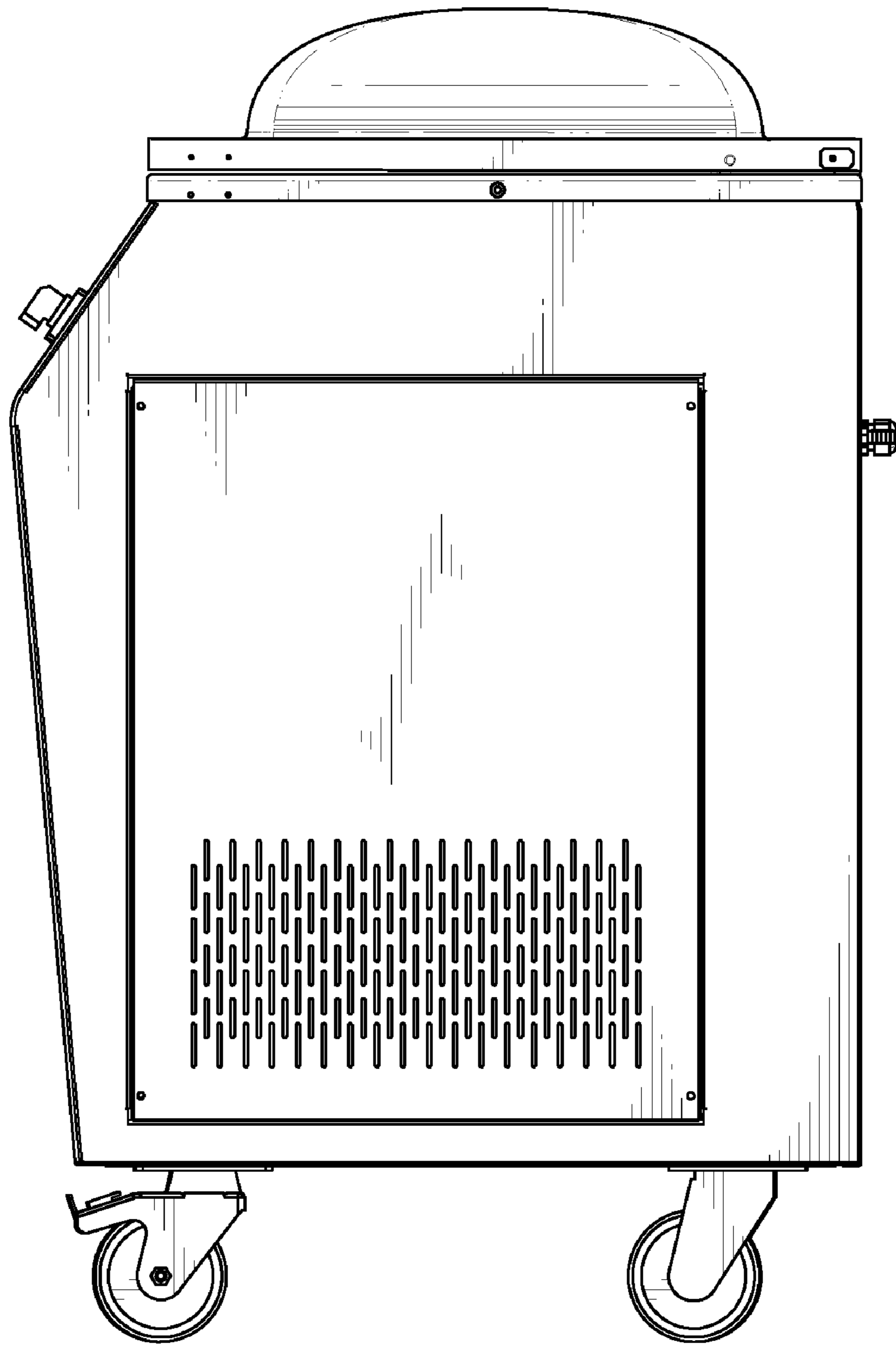


FIG. 6

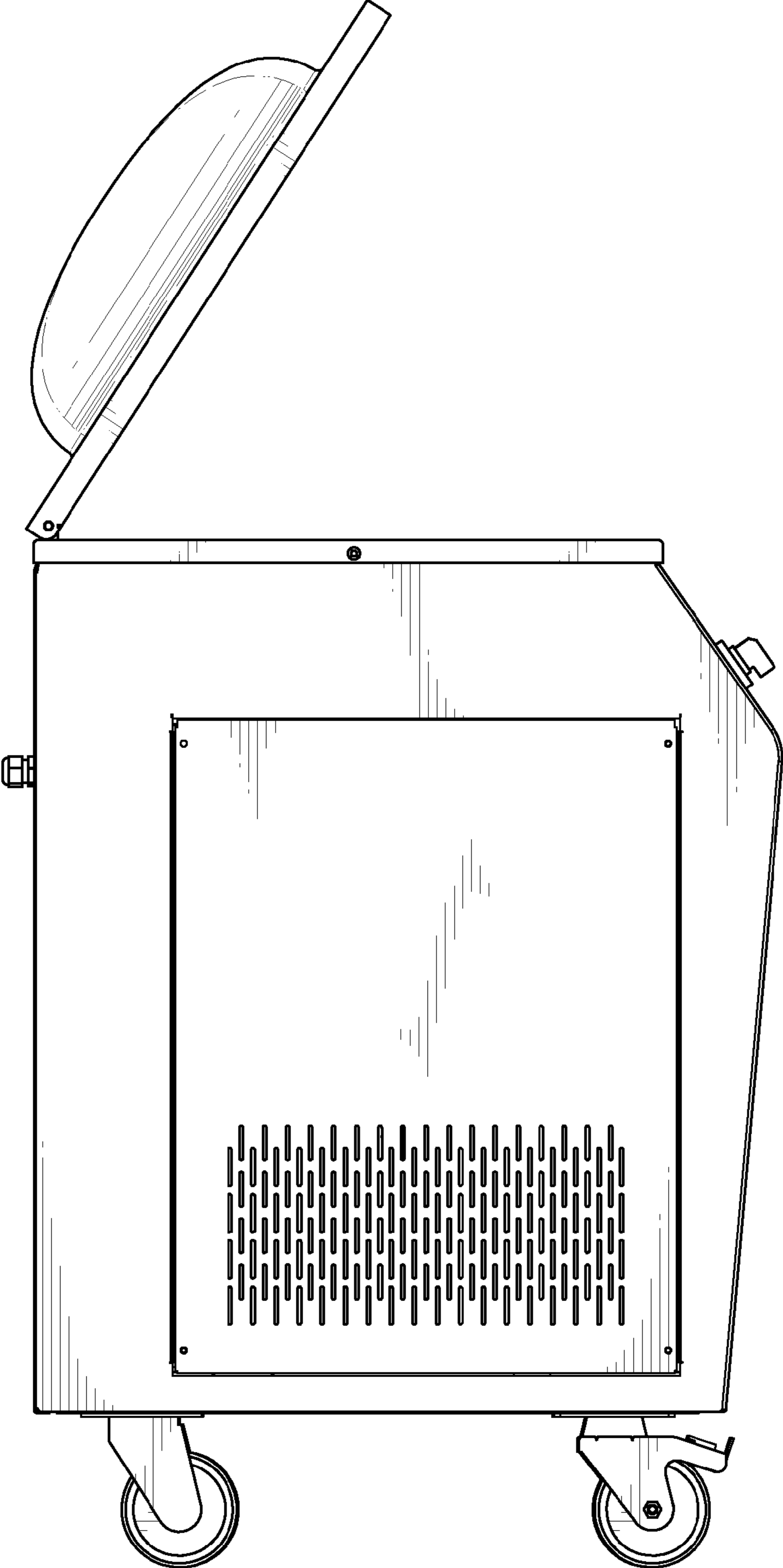


FIG. 7

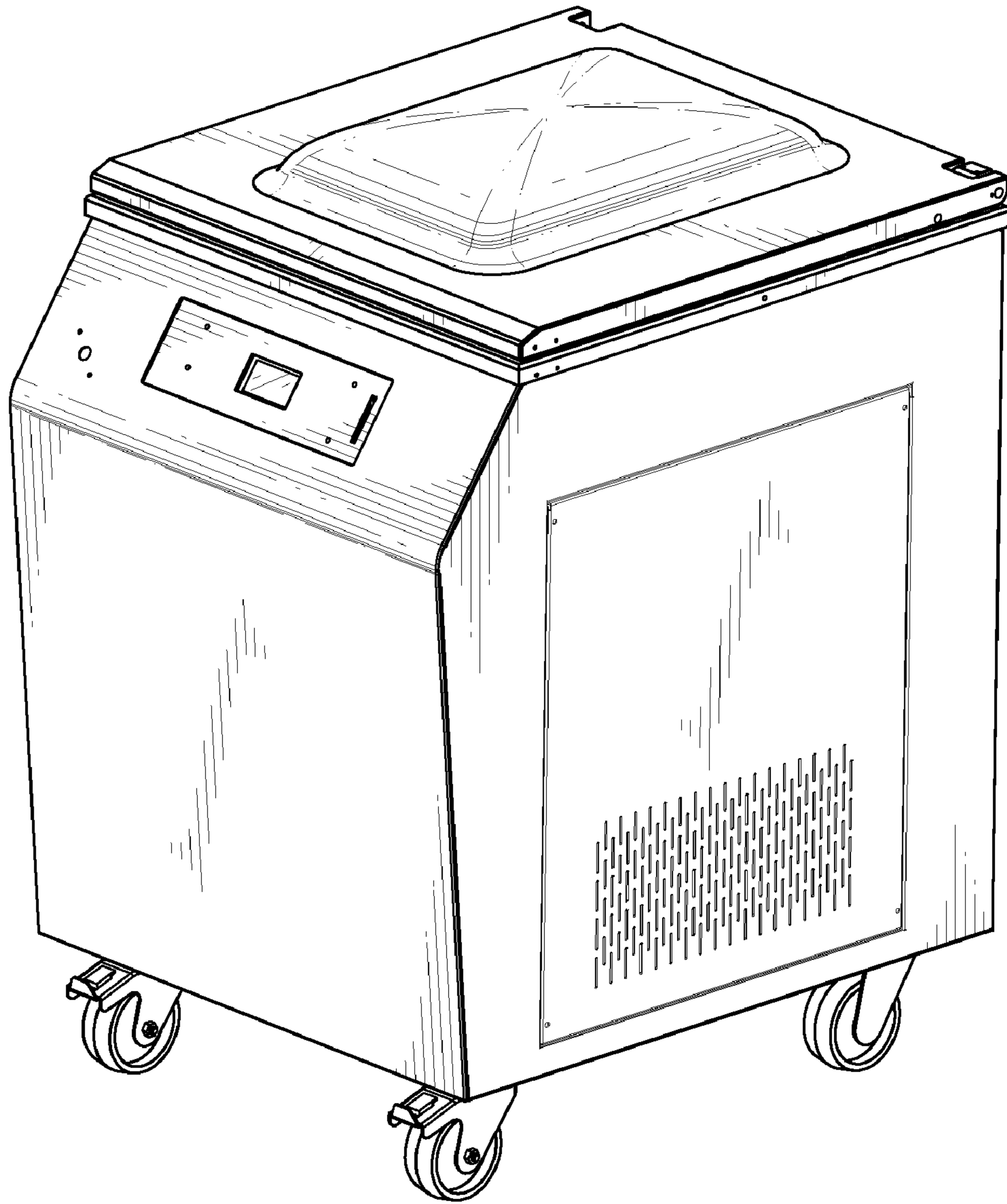


FIG. 8

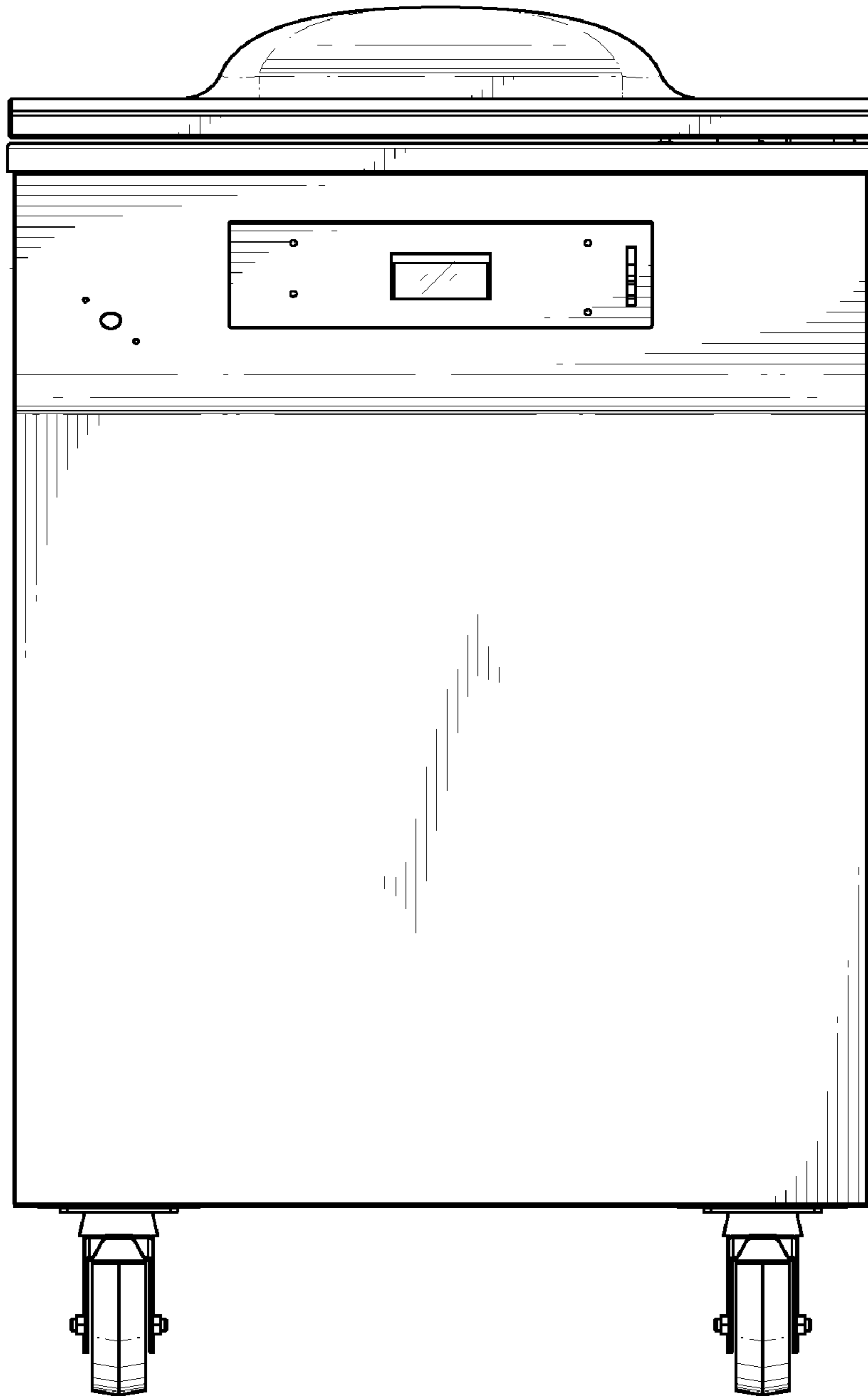


FIG. 9

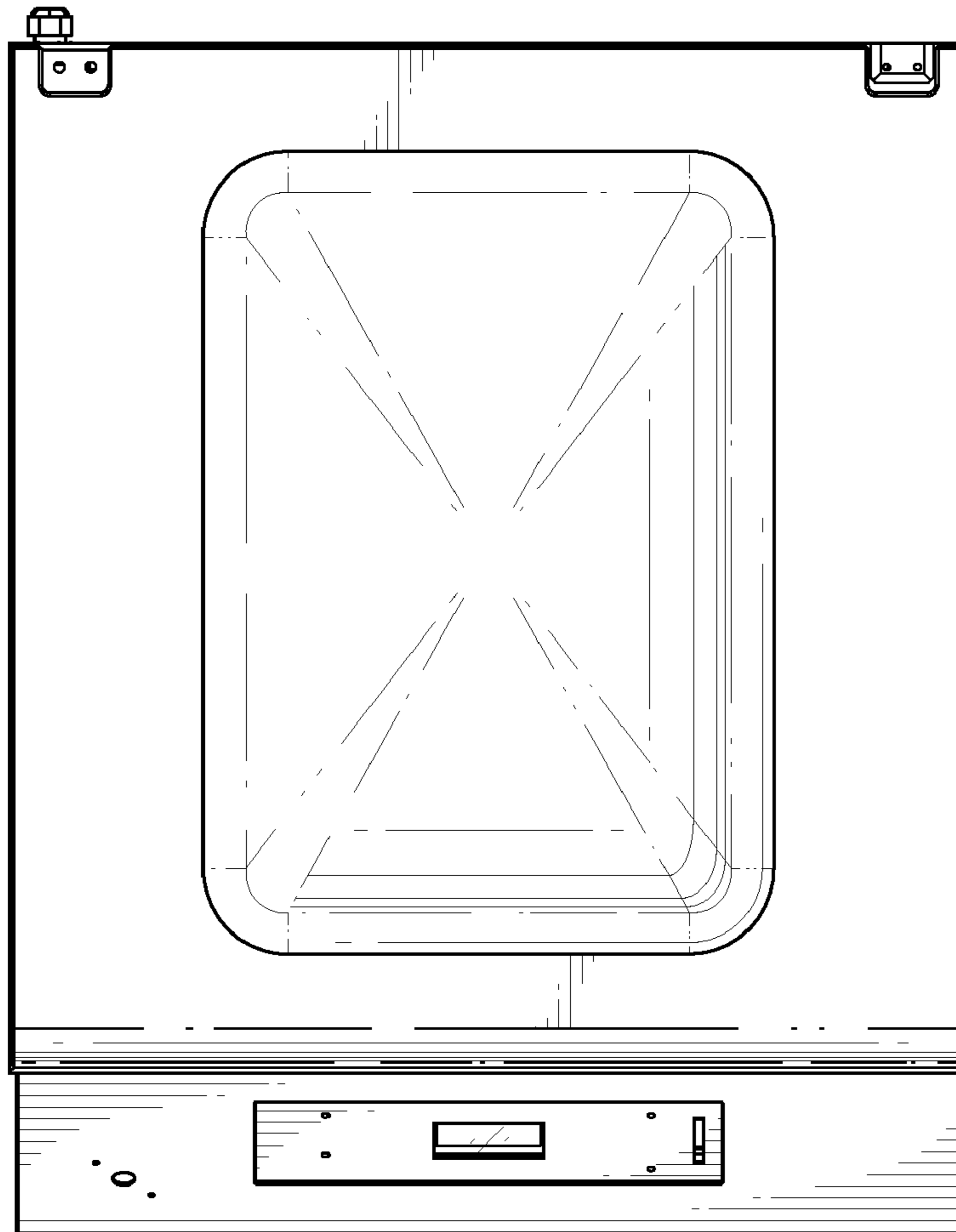


FIG. 10

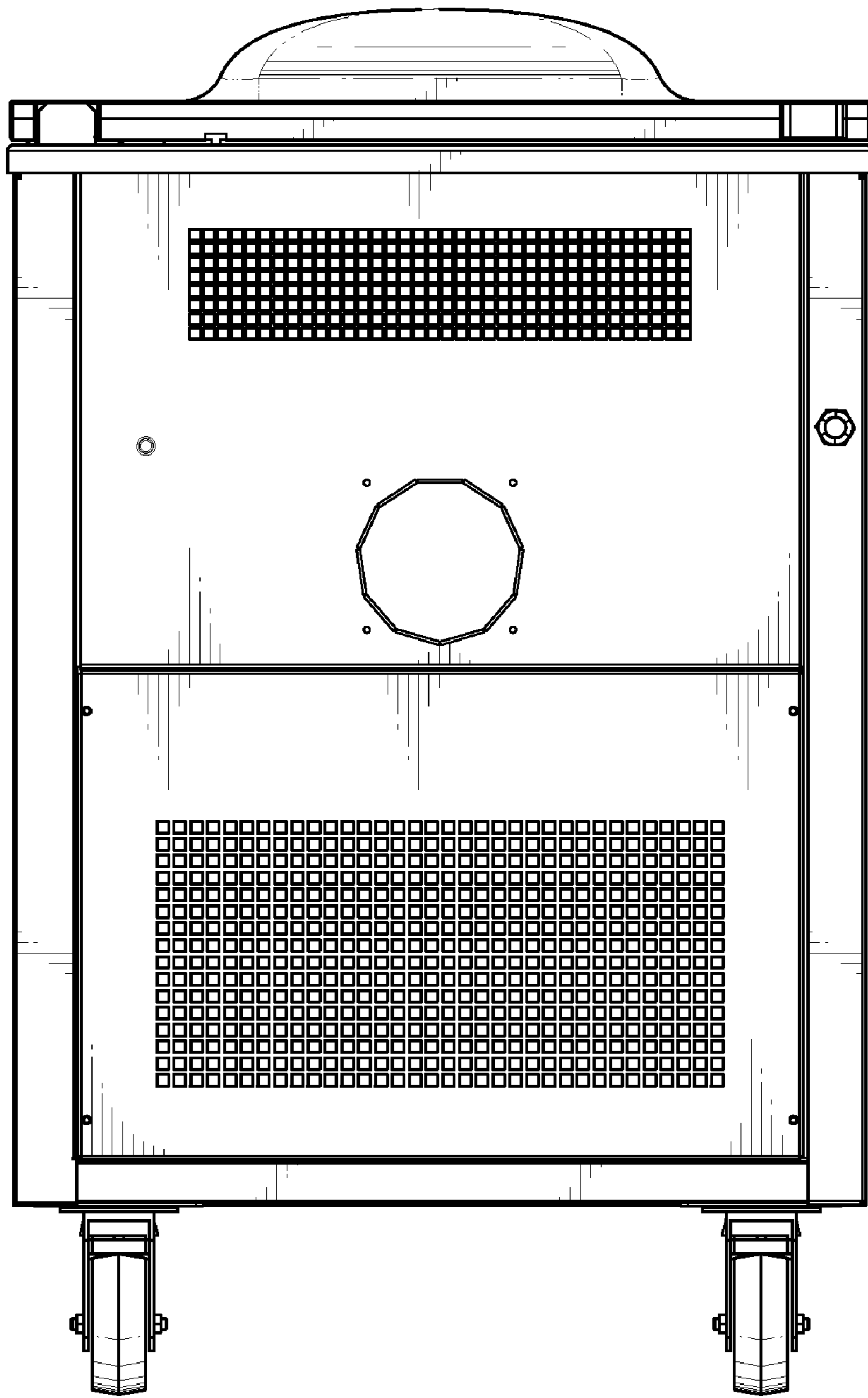


FIG. 11

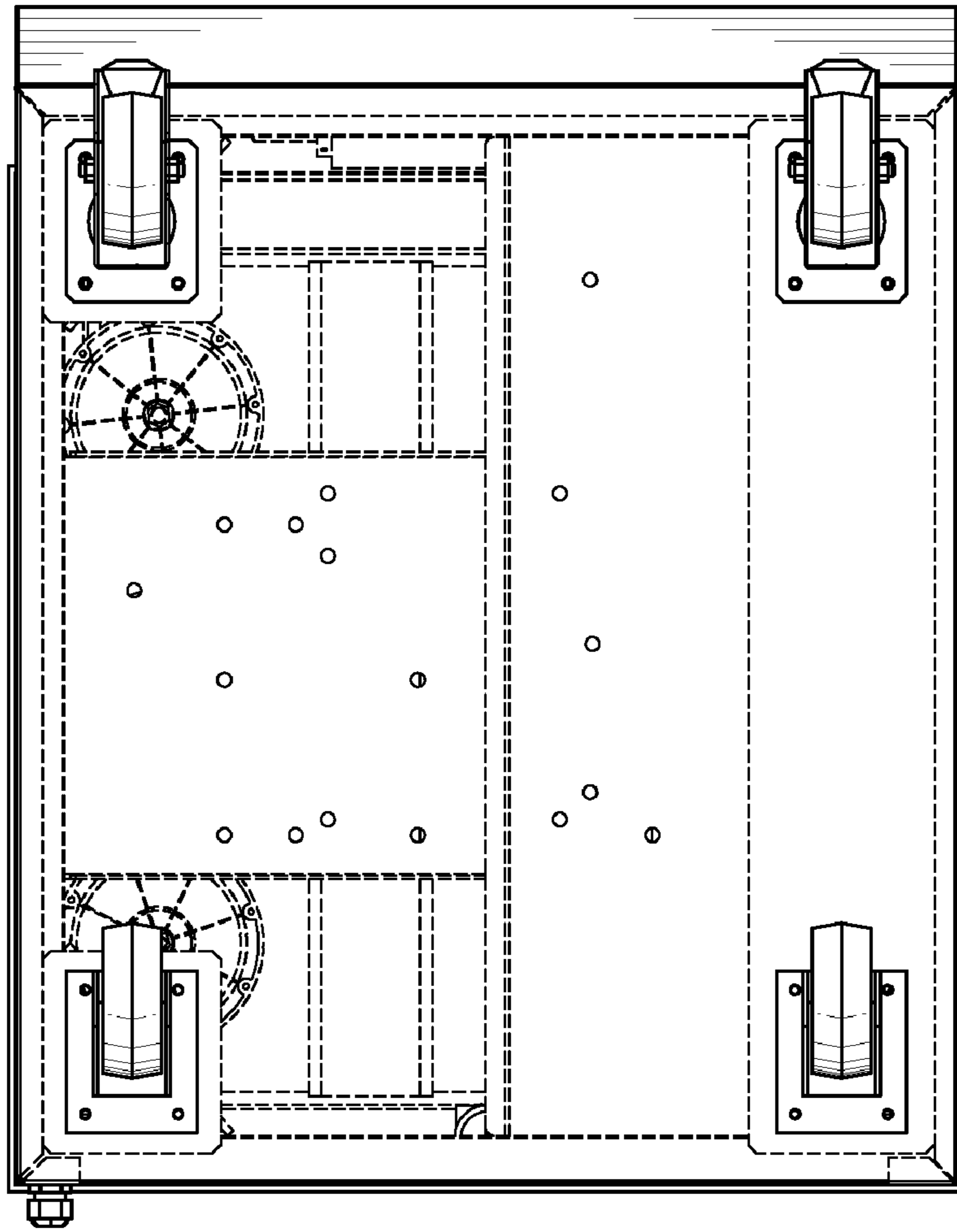


FIG. 12

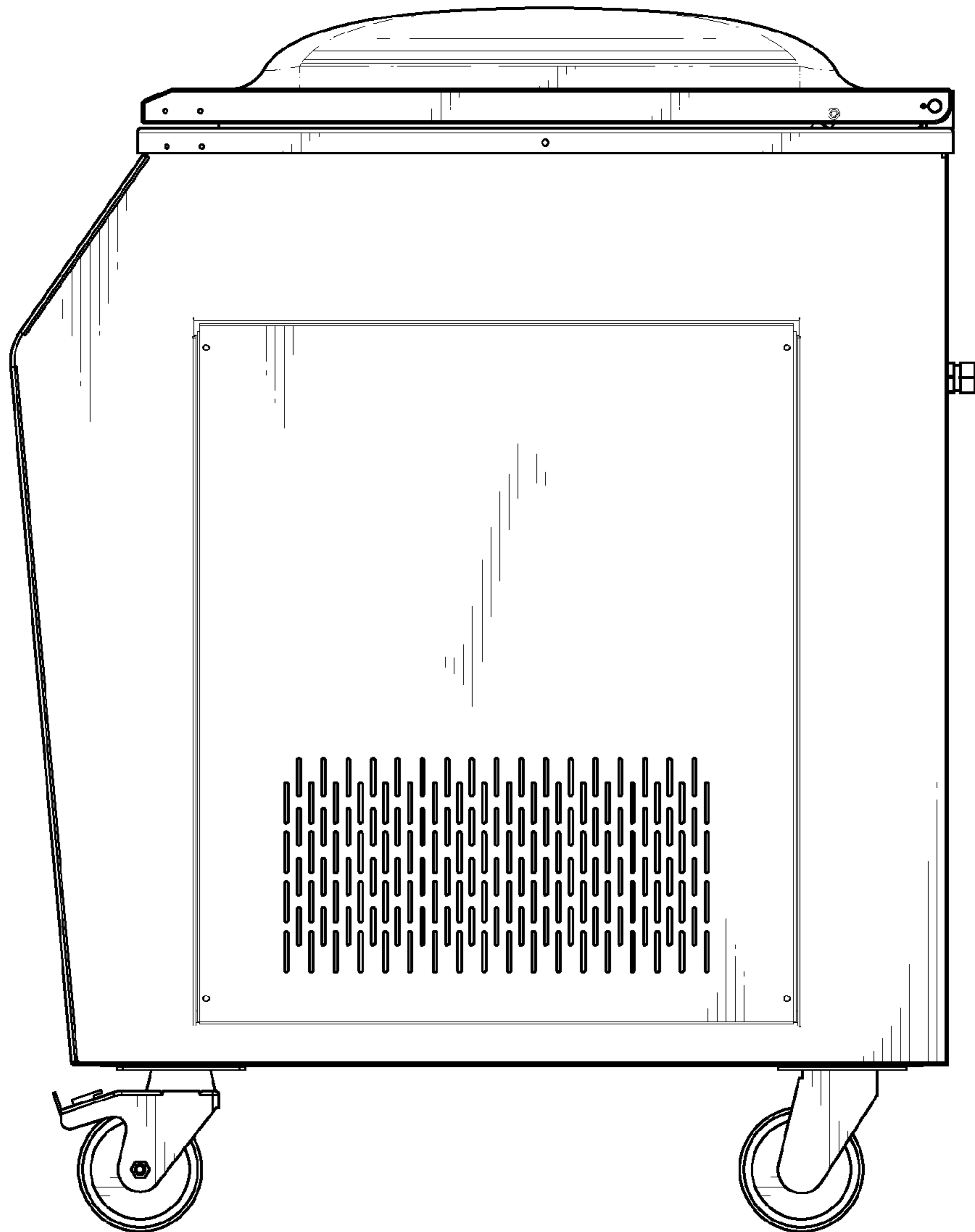


FIG. 13

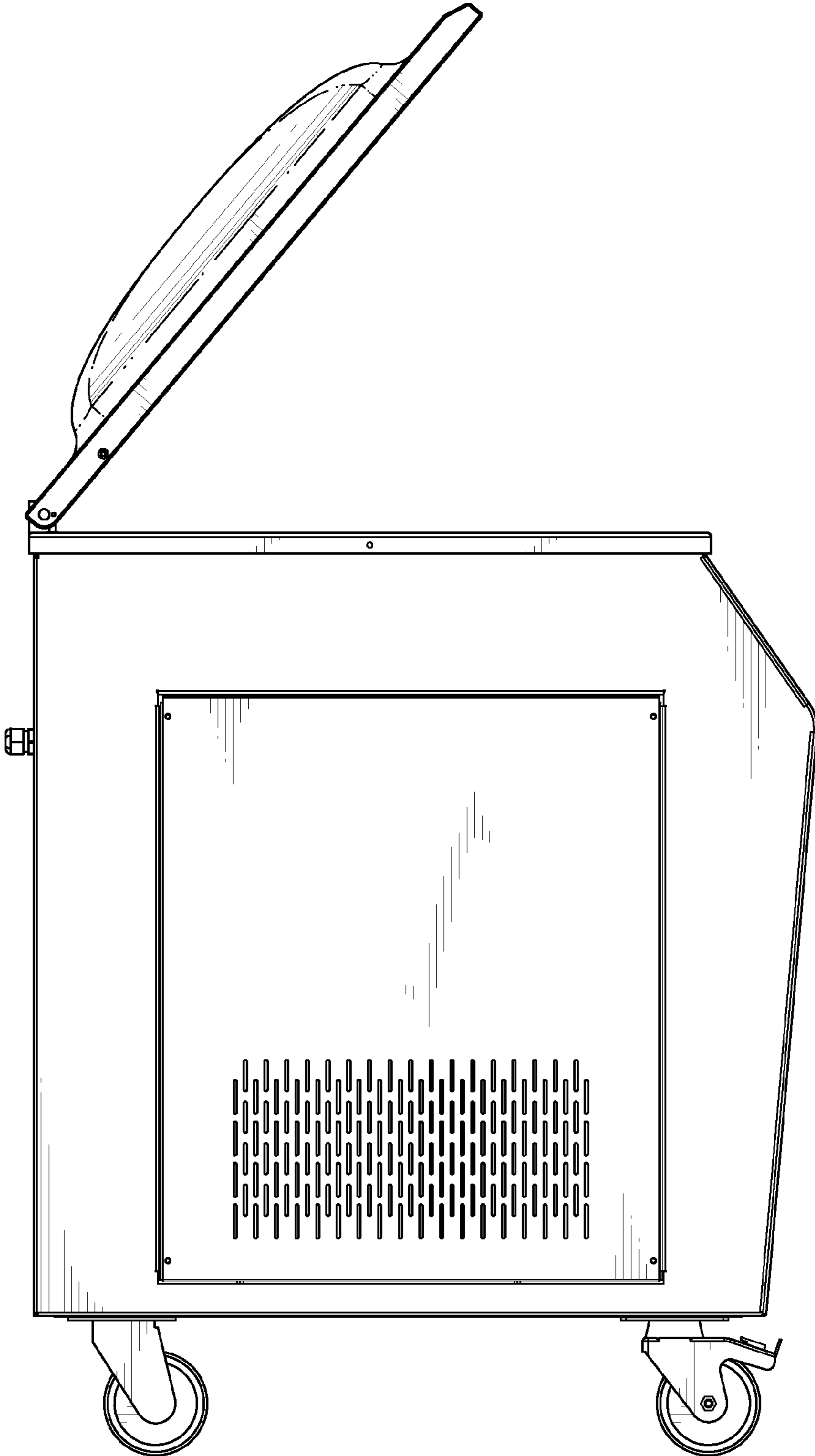


FIG. 14

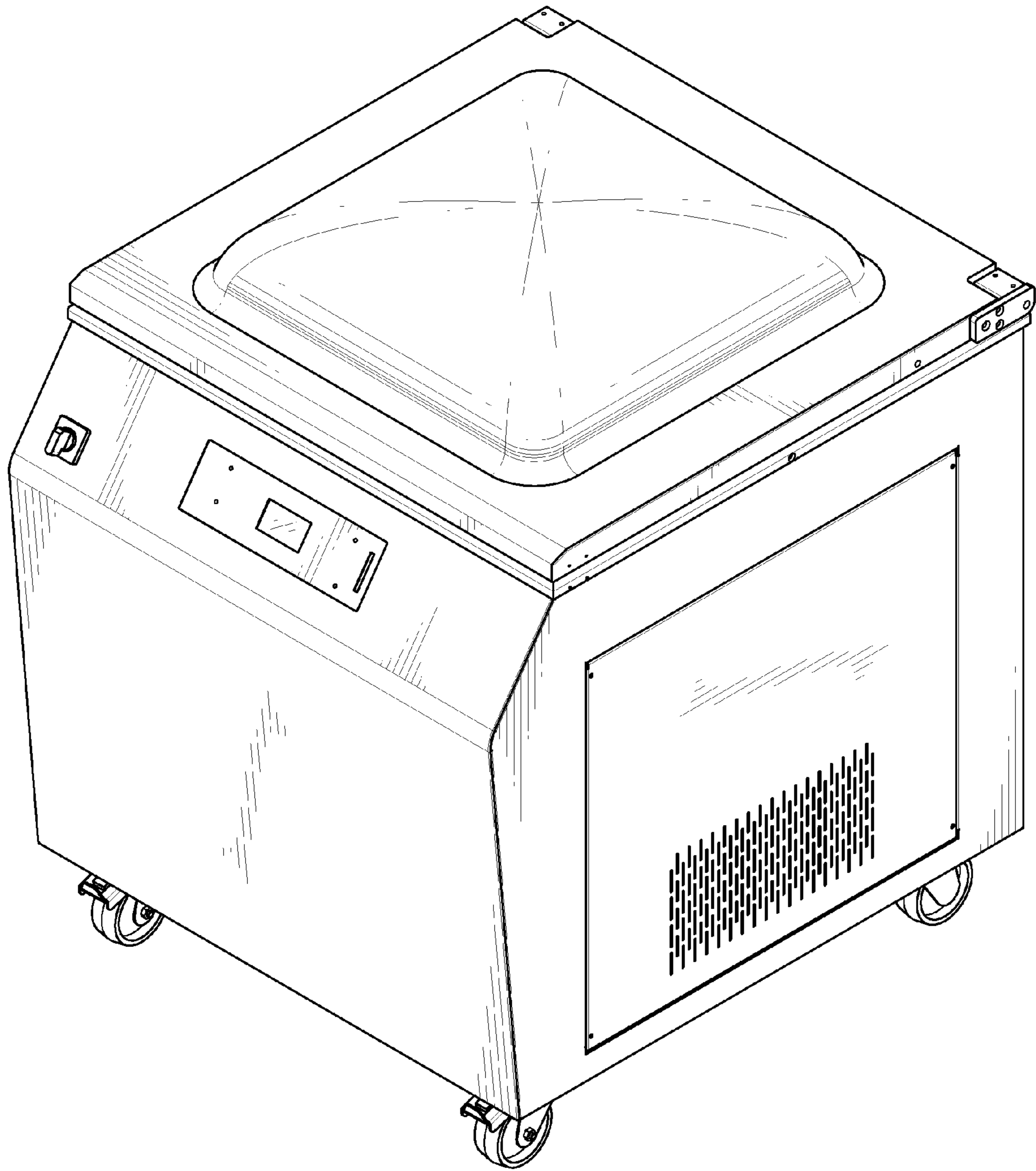


FIG. 15

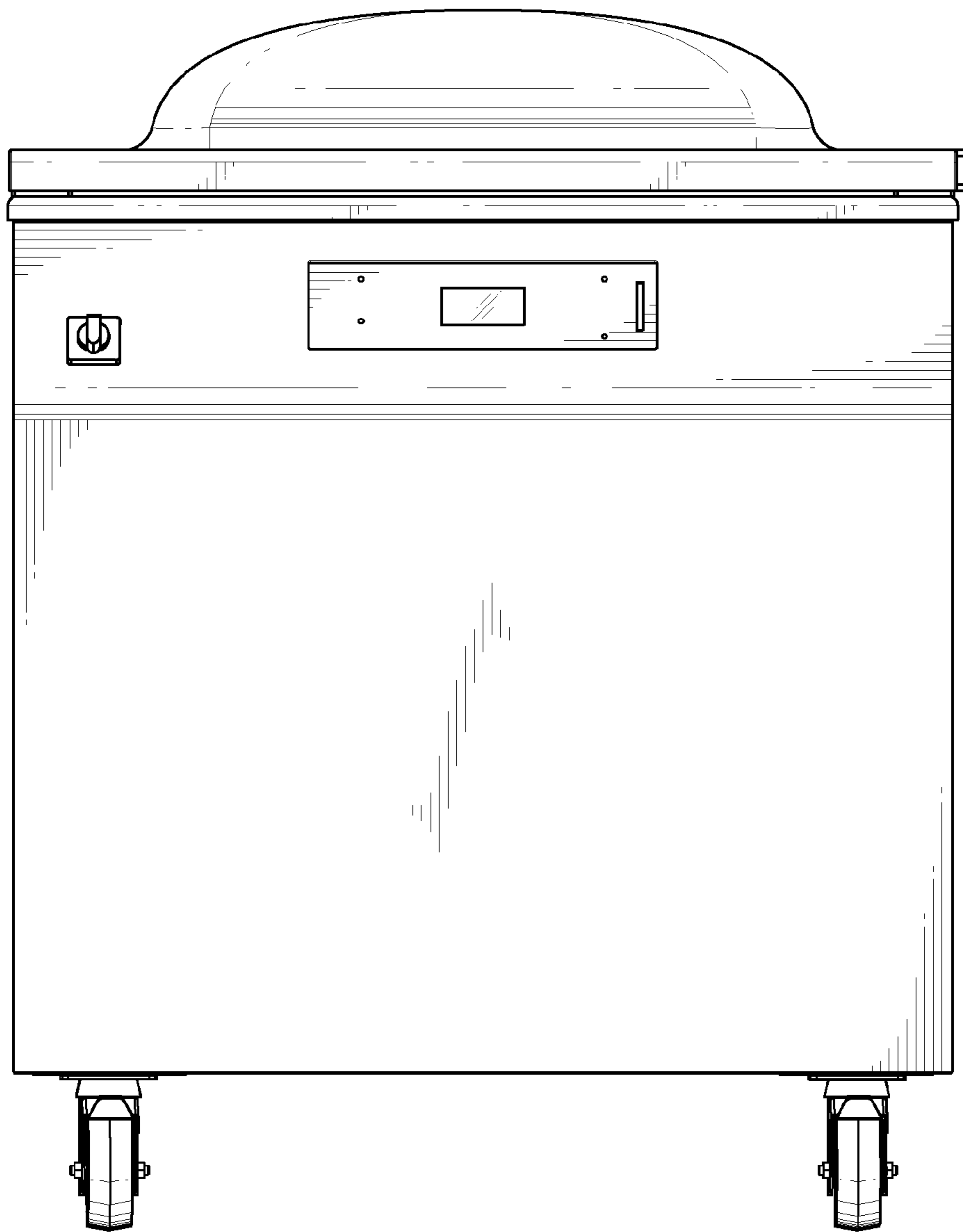


FIG. 16

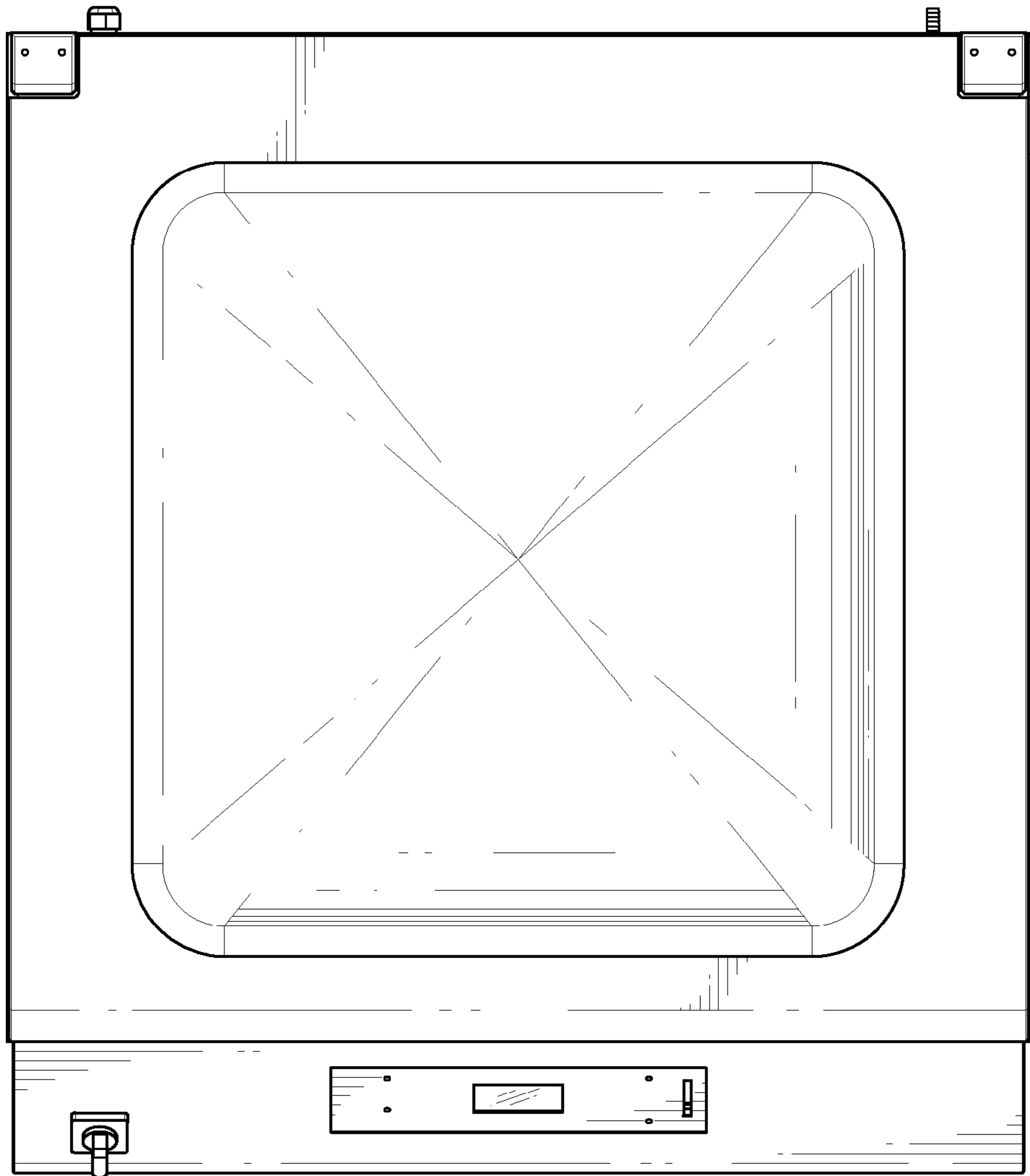


FIG. 17

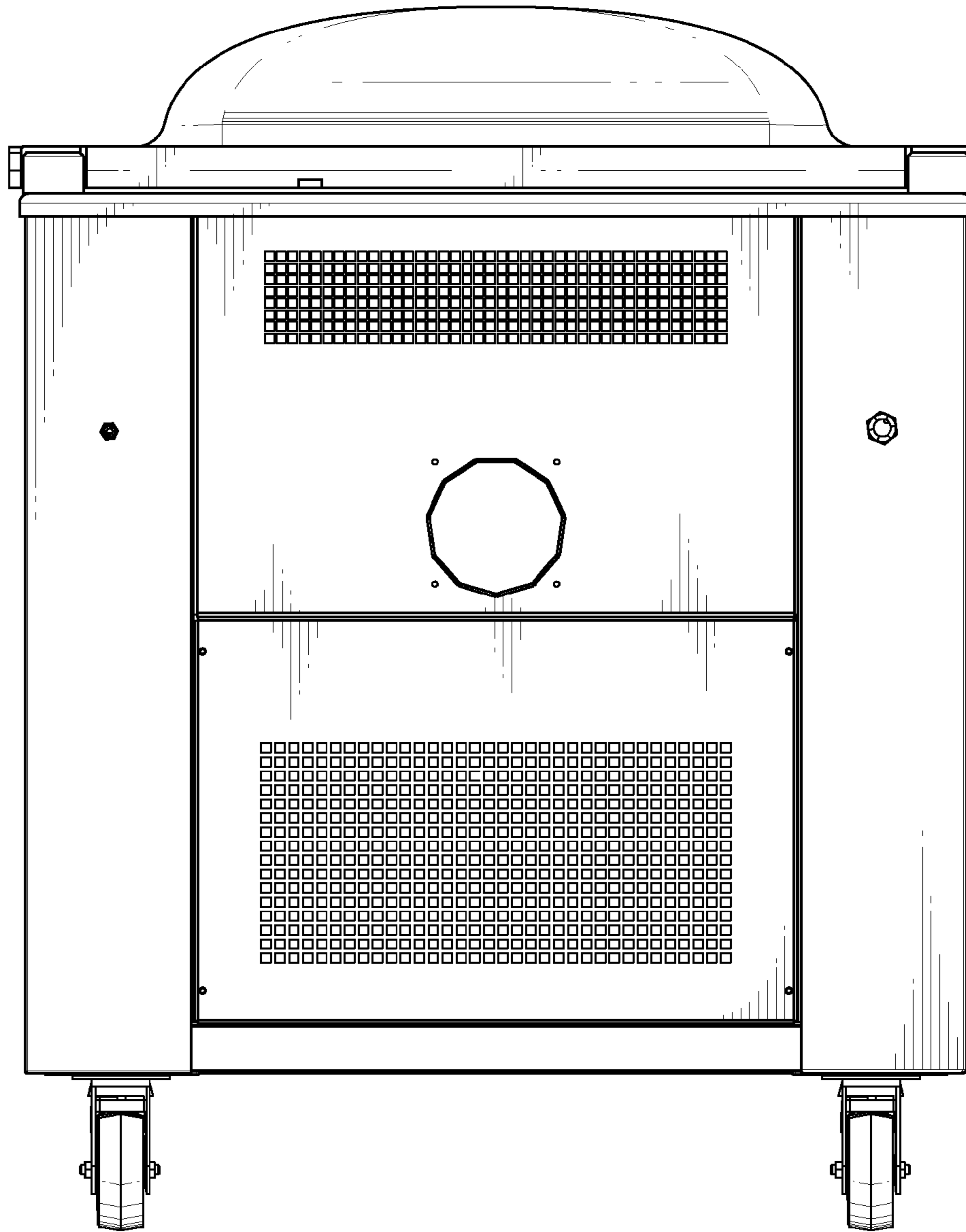


FIG. 18

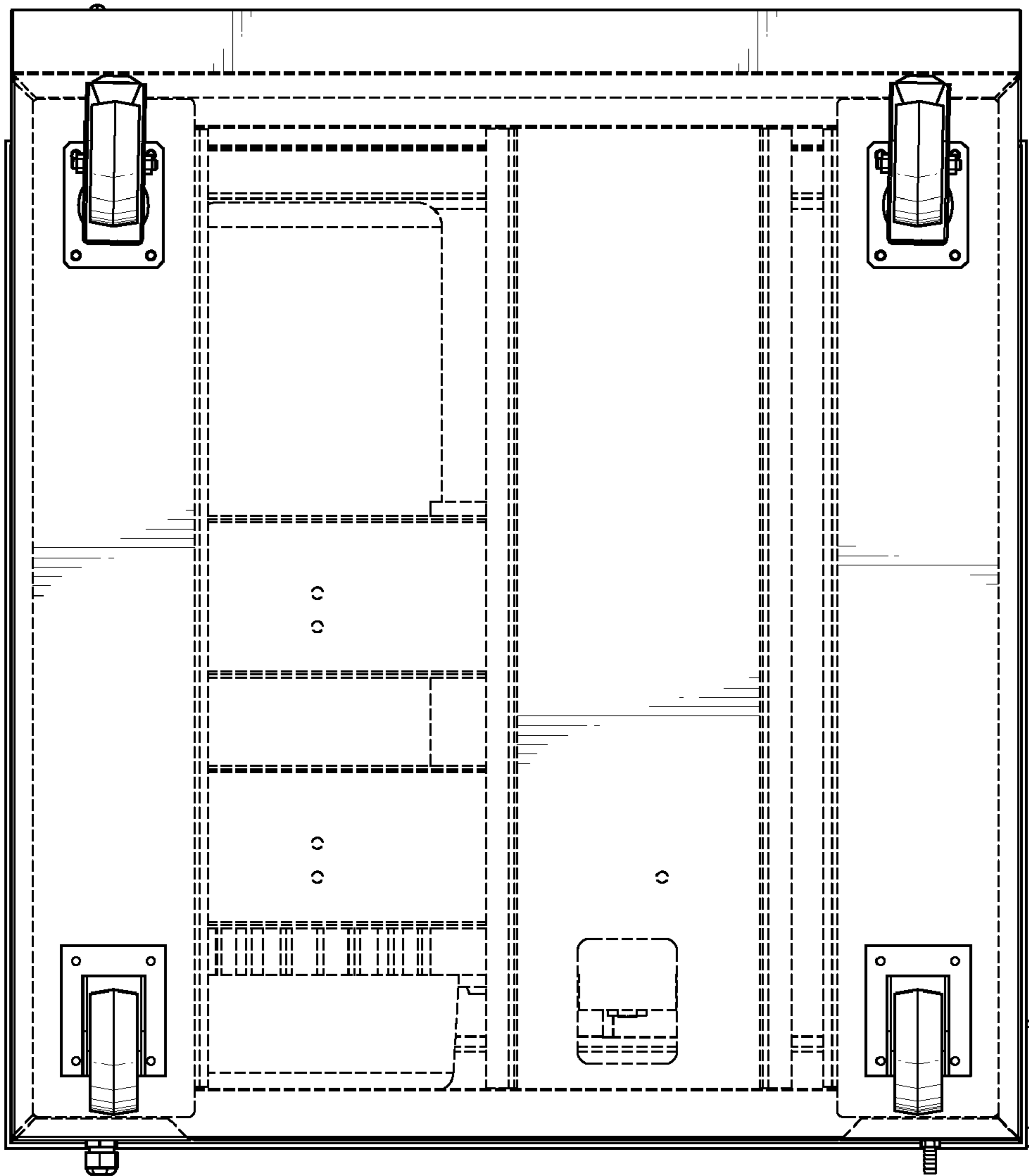


FIG. 19

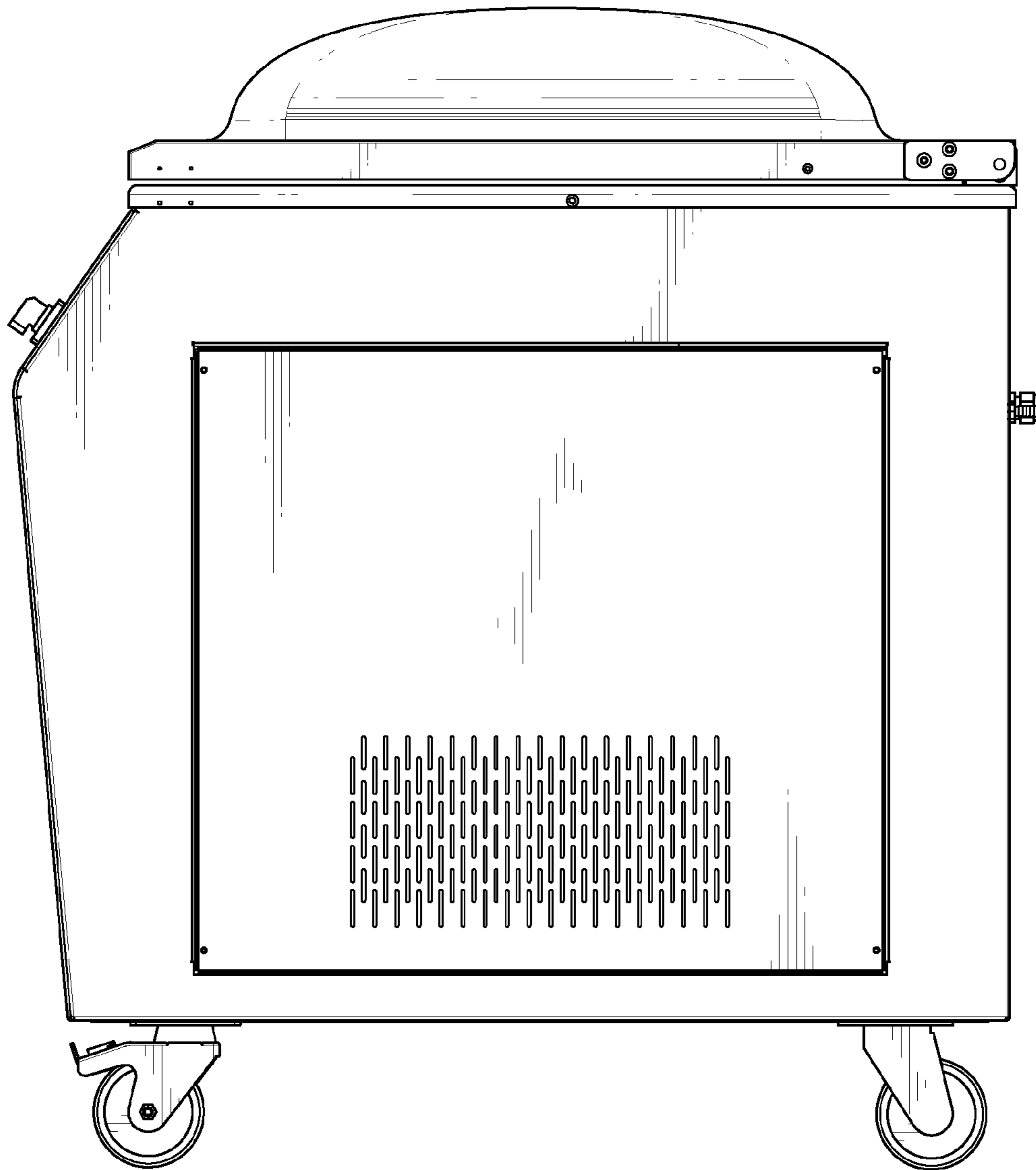


FIG. 20

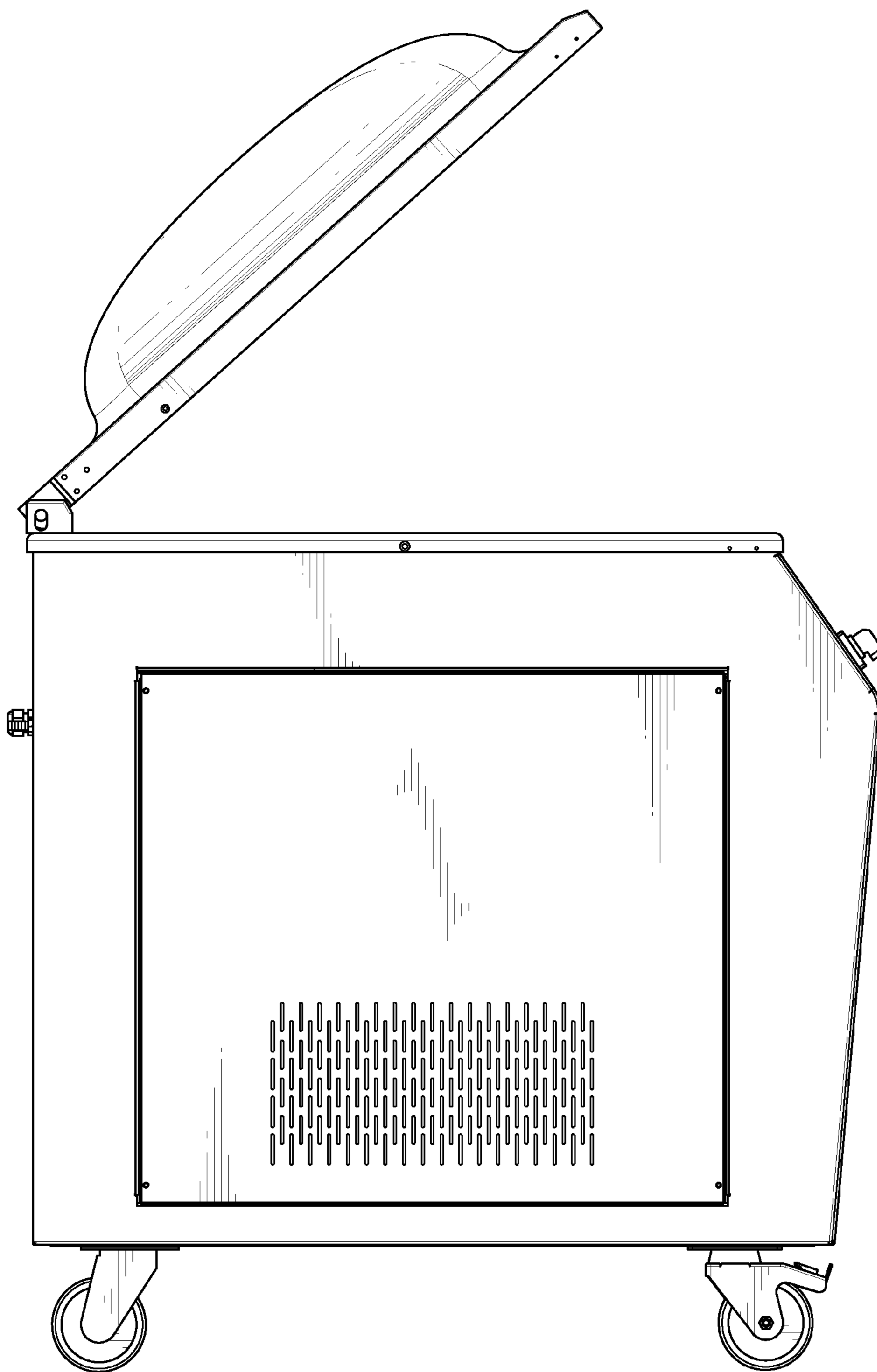


FIG. 21