



US00D626160S

(12) **United States Design Patent**
Jebb

(10) **Patent No.:** **US D626,160 S**

(45) **Date of Patent:** **** Oct. 26, 2010**

(54) **SCROLL SAW**

(76) Inventor: **David Jebb**, Hill Farm, Sleep Hill Lane,
Skelbrooke, Doncaster (GB) DN6 8LZ

(**) Term: **14 Years**

(21) Appl. No.: **29/339,473**

(22) Filed: **Jun. 30, 2009**

(30) **Foreign Application Priority Data**

Mar. 10, 2009 (EM) 001102552-0002

(51) **LOC (9) Cl.** **15-09**

(52) **U.S. Cl.** **D15/134**

(58) **Field of Classification Search** D8/61,
D8/64-69; D15/133, 134; 30/377-378,
30/388-391; 83/783-786

See application file for complete search history.

(56) **References Cited**

U.S. PATENT DOCUMENTS

- 4,616,541 A * 10/1986 Eccardt et al. 83/98
- D290,369 S * 6/1987 Eccardt et al. D15/133
- 4,841,823 A * 6/1989 Brundage 83/781
- D327,279 S * 6/1992 Brickner et al. D15/133
- 5,176,059 A * 1/1993 Anderson 83/462
- D366,881 S * 2/1996 Eccardt et al. D15/133
- 5,684,388 A * 11/1997 Theising et al. 322/40
- D397,343 S * 8/1998 Chen D15/133

D423,525 S * 4/2000 Brazell et al. D15/133

D429,260 S * 8/2000 Ohi et al. D15/133

D446,228 S * 8/2001 Hsu D15/133

2001/0037714 A1* 11/2001 Lei 83/783

2002/0112582 A1* 8/2002 Young 83/167

* cited by examiner

Primary Examiner—Patricia Palasik

(74) *Attorney, Agent, or Firm*—Sonnenschein Nath &
Rosenthal LLP; Brian R. McGinley

(57) **CLAIM**

The ornamental design for a scroll saw, as shown and described.

DESCRIPTION

FIG. 1 is a perspective of a scroll saw embodying the new design;

FIG. 2 is a rear view of the scroll saw illustrated in FIG. 1;

FIG. 3 is a front view of the scroll saw illustrated in FIG. 1;

FIG. 4 is a left side view of the scroll saw illustrated in FIG. 1;

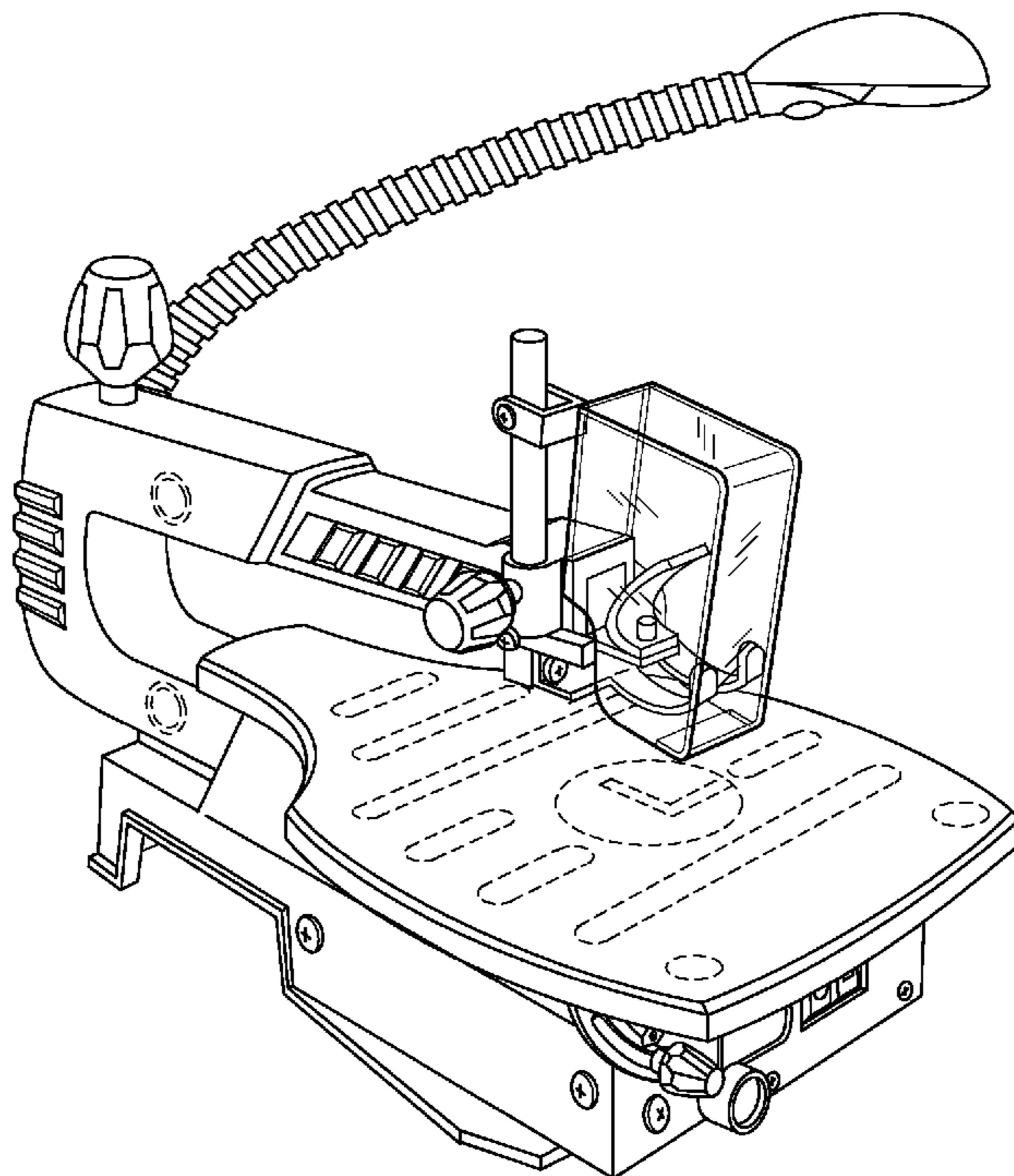
FIG. 5 is a right side view of the scroll saw shown in FIG. 1;

FIG. 6 is a top view of the scroll saw illustrated in FIG. 1; and,

FIG. 7 is a bottom view of the scroll saw illustrated in FIG. 1.

The broken lines in the drawings depict unclaimed environmental subject matter.

1 Claim, 7 Drawing Sheets



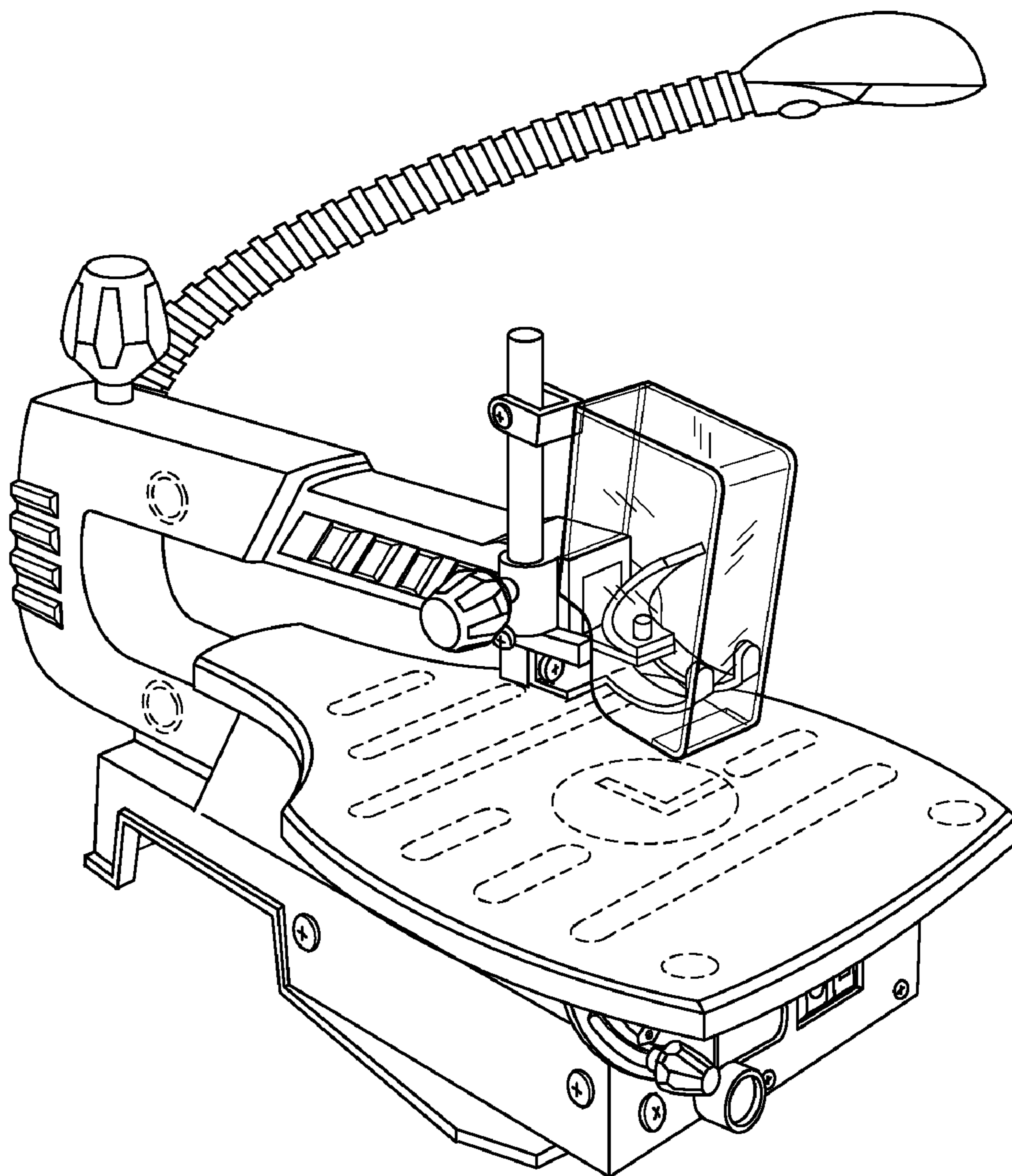


FIG. 1

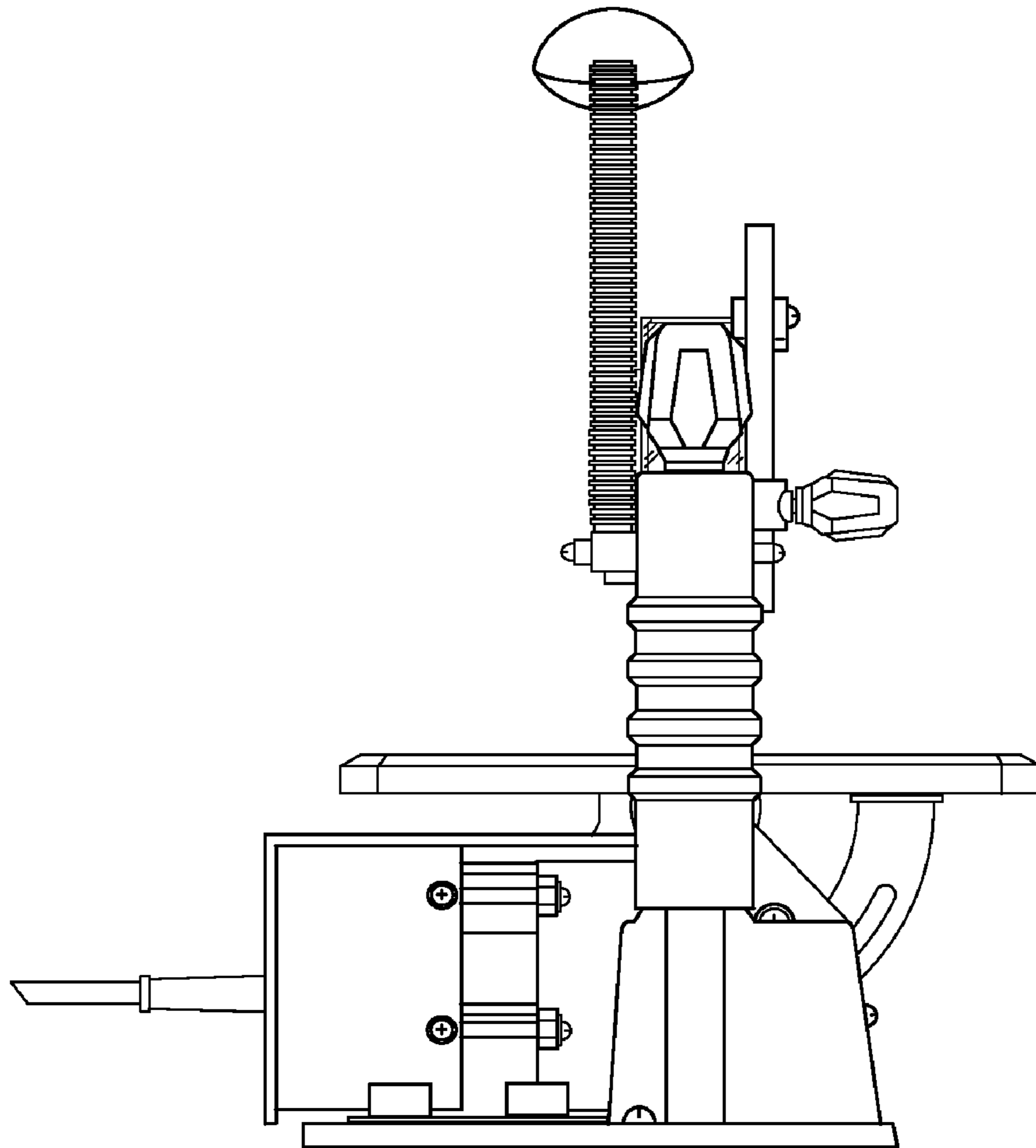


FIG. 2

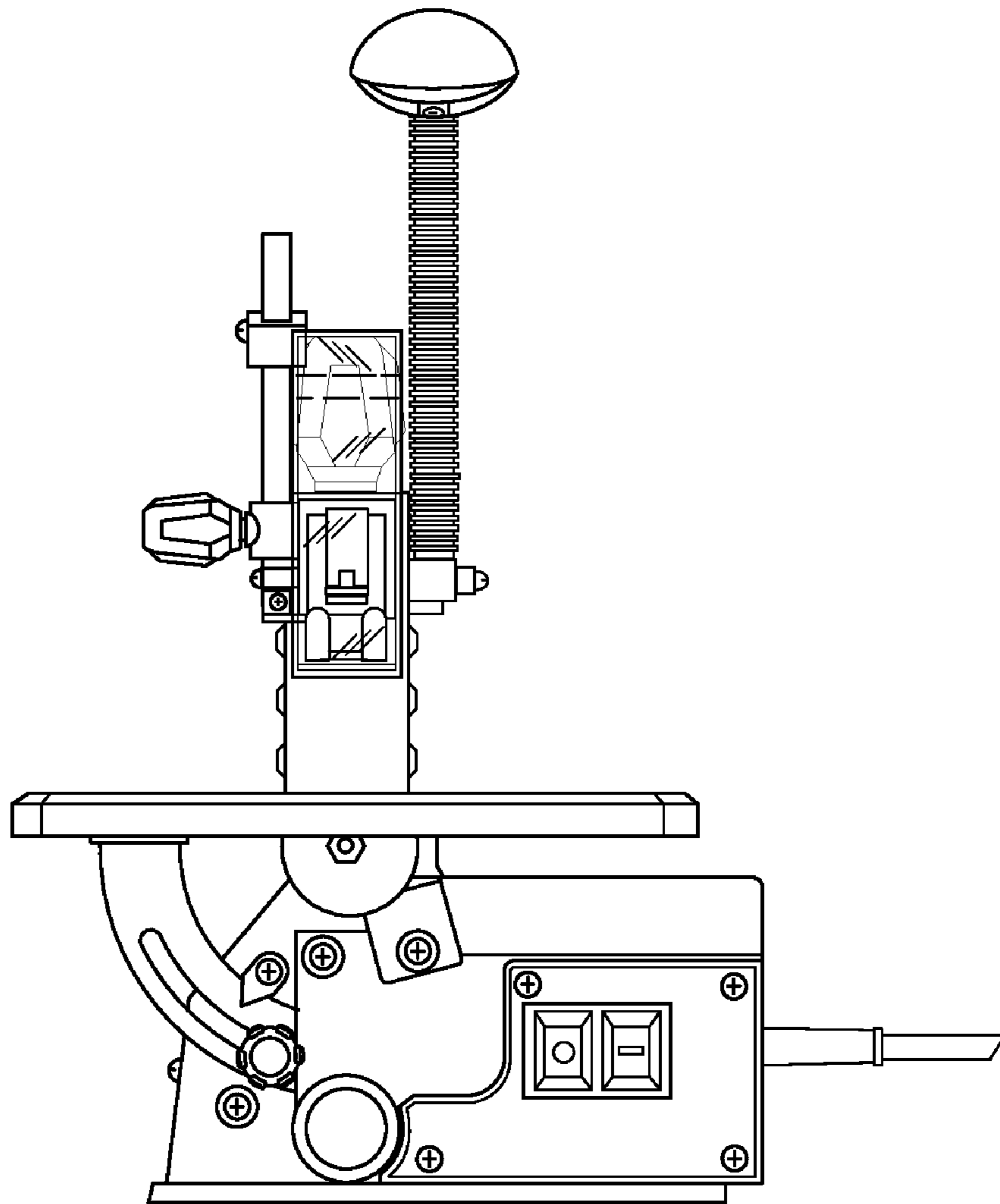


FIG. 3

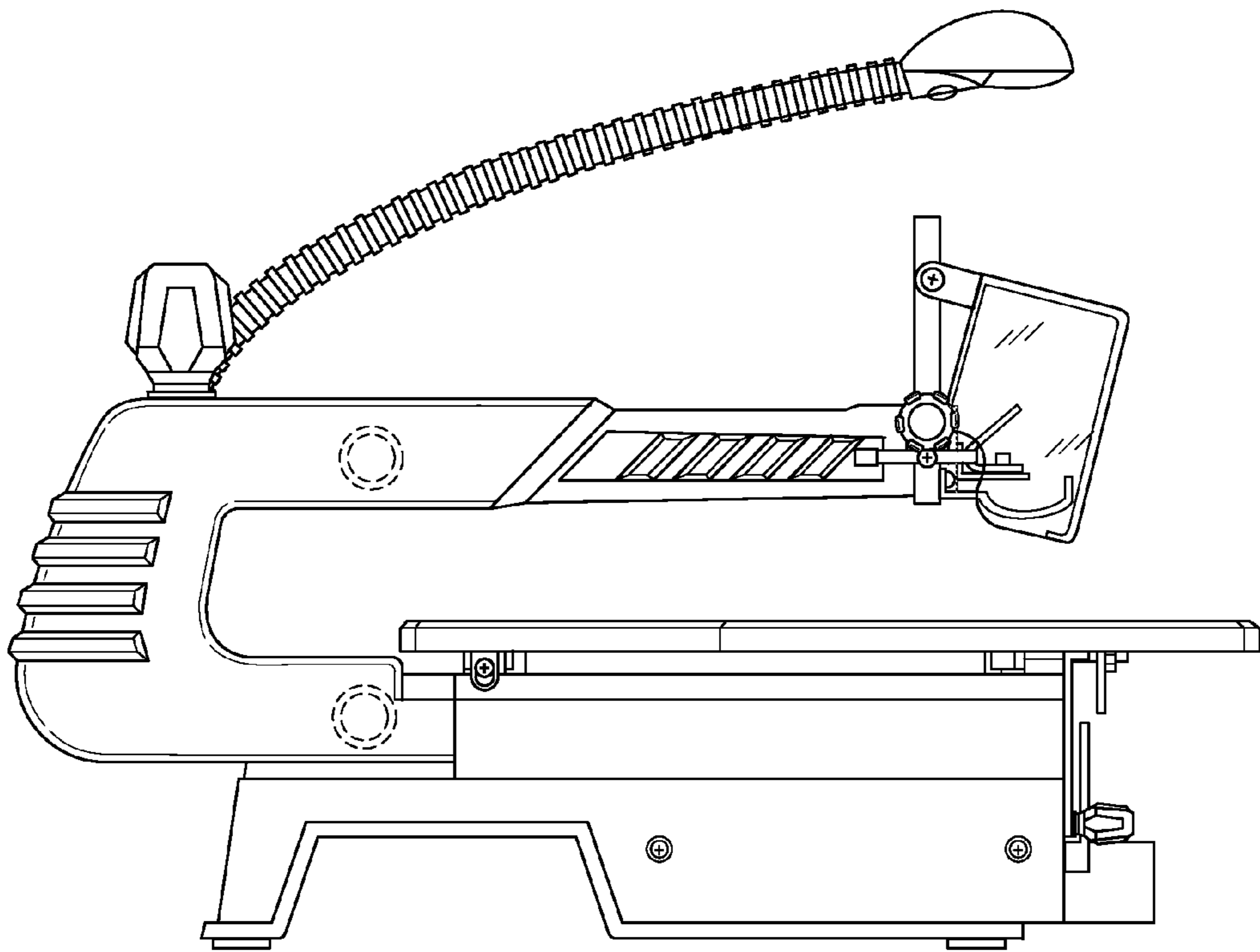


FIG. 4

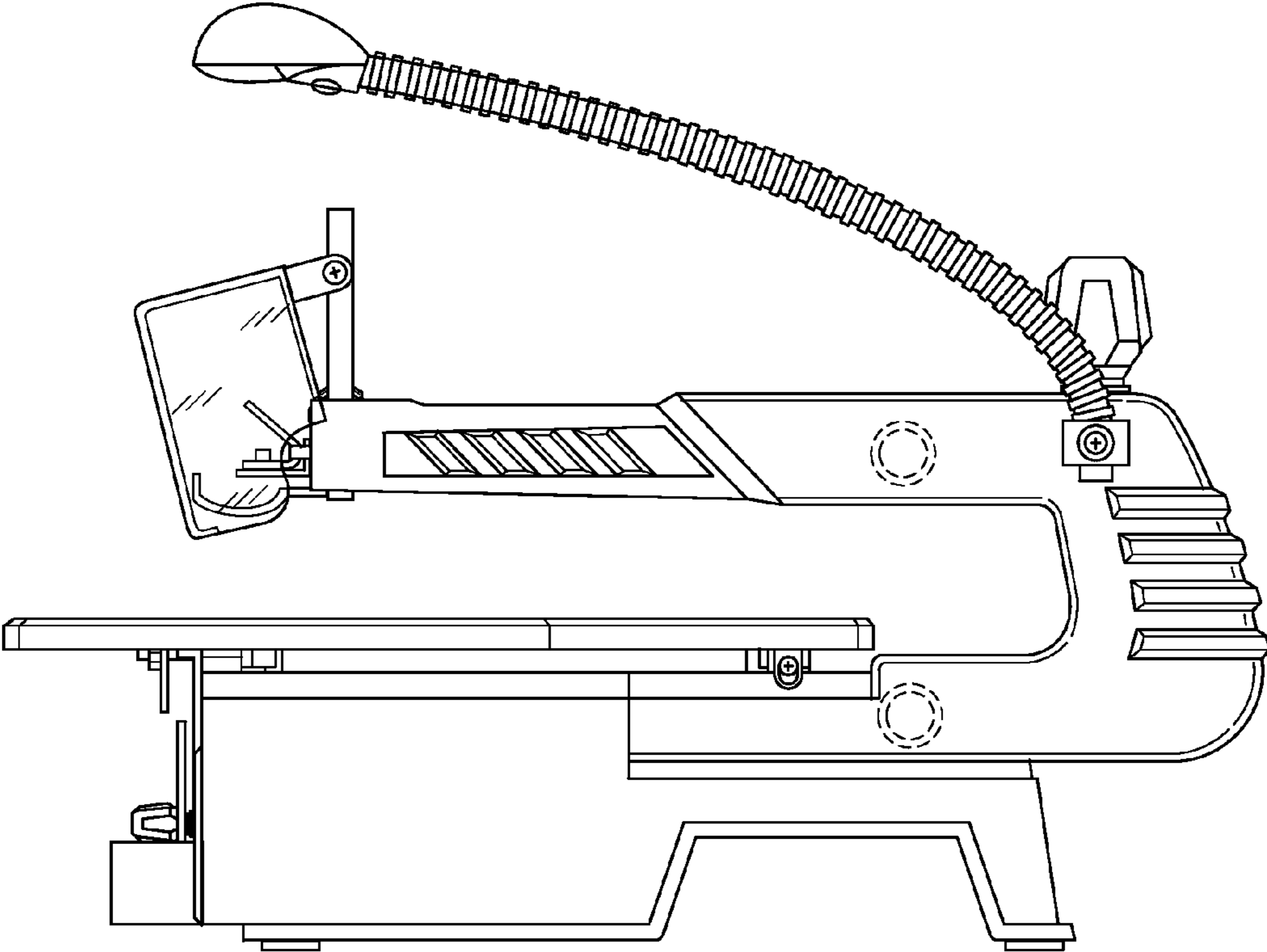


FIG. 5

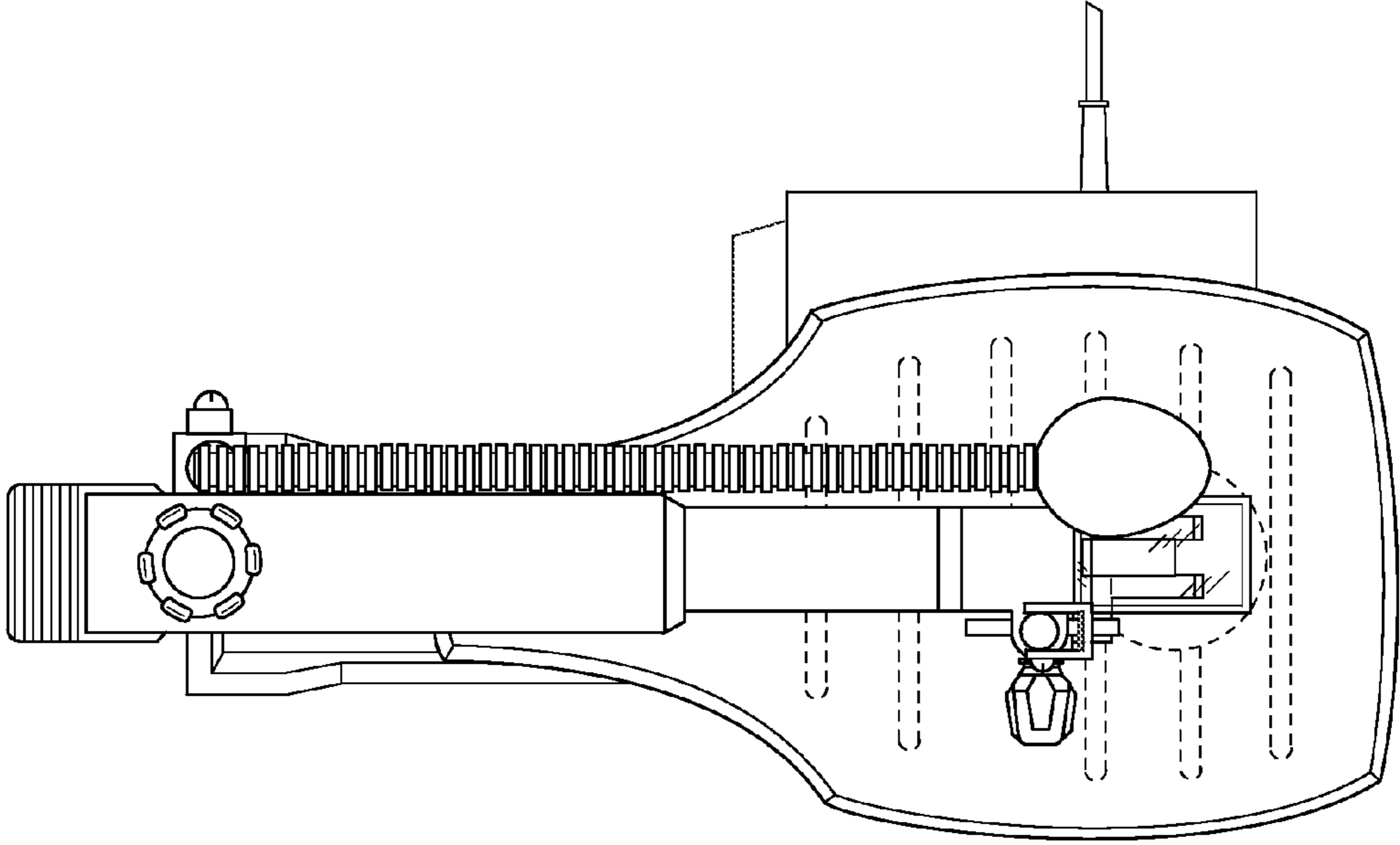


FIG. 6

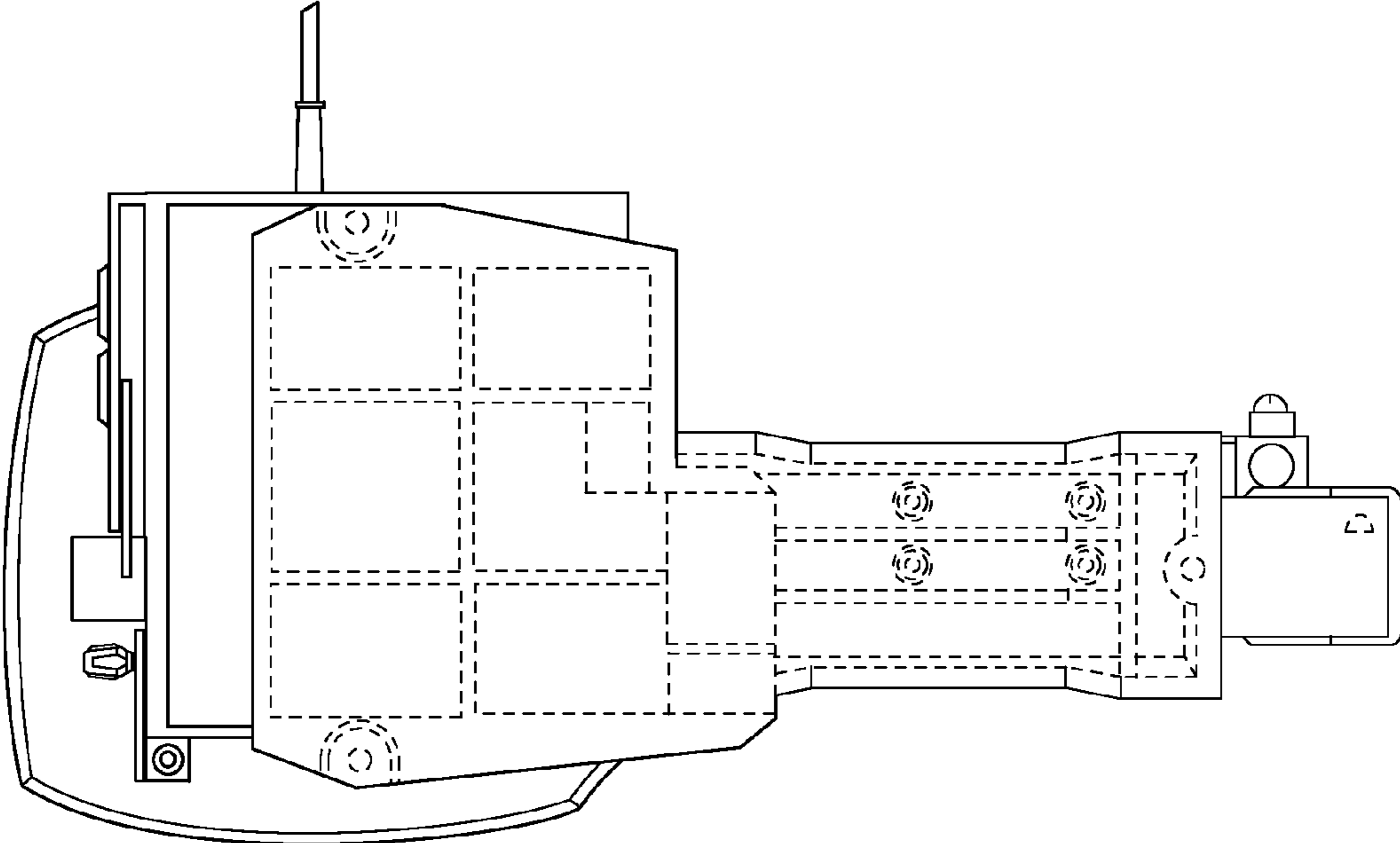


FIG. 7