



US00D626159S

(12) **United States Design Patent**  
**Jebb**

(10) **Patent No.:** **US D626,159 S**  
(45) **Date of Patent:** **\*\* Oct. 26, 2010**

(54) **MITRE SAW**

(76) Inventor: **David Jebb**, Hill Farm, Sleep Hill Lane,  
Skelbrooke, Doncaster (GB) DN6 8LZ

(\*\*) Term: **14 Years**

(21) Appl. No.: **29/339,467**

(22) Filed: **Jun. 30, 2009**

(30) **Foreign Application Priority Data**

Jan. 28, 2009 (EM) ..... 001079750-0001

(51) **LOC (9) Cl.** ..... **15-09**

(52) **U.S. Cl.** ..... **D15/133**

(58) **Field of Classification Search** ..... D8/61,  
D8/64-69; D15/133, 134; 30/377-378,  
30/388-391; 83/377, 378, 388, 397, 468.3,  
83/469

See application file for complete search history.

(56) **References Cited**

**U.S. PATENT DOCUMENTS**

D346,173 S *	4/1994	Price	.....	D15/133
D388,442 S *	12/1997	Shibata et al.	.....	D15/133
D400,215 S *	10/1998	Price et al.	.....	D15/133
D421,267 S *	2/2000	Price et al.	.....	D15/133
D455,445 S *	4/2002	Bean et al.	.....	D15/133
D459,373 S *	6/2002	Hollinger et al.	.....	D15/133
D478,103 S *	8/2003	Kani et al.	.....	D15/133
D479,251 S *	9/2003	Wright	.....	D15/133
D487,280 S *	3/2004	Hon et al.	.....	D15/133

D487,754 S *	3/2004	Kao	.....	D15/133
D490,826 S *	6/2004	Wu	.....	D15/133
D513,271 S *	12/2005	Ozawa et al.	.....	D15/133
D597,569 S *	8/2009	Sasaki et al.	.....	D15/133
2009/0235794 A1 *	9/2009	Inai	.....	83/397

\* cited by examiner

*Primary Examiner*—Patricia Palasik

(74) *Attorney, Agent, or Firm*—Sonnenschein Nath &  
Rosenthal LLP; Brian R. McGinley

(57) **CLAIM**

The ornamental design for a mitre saw, as shown and described.

**DESCRIPTION**

FIG. 1 is a perspective of a mitre saw embodying the new design;

FIG. 2 is a front view of the mitre saw illustrated in FIG. 1;

FIG. 3 is a top view of the mitre saw illustrated in FIG. 1;

FIG. 4 is a rear view of the mitre saw illustrated in FIG. 1;

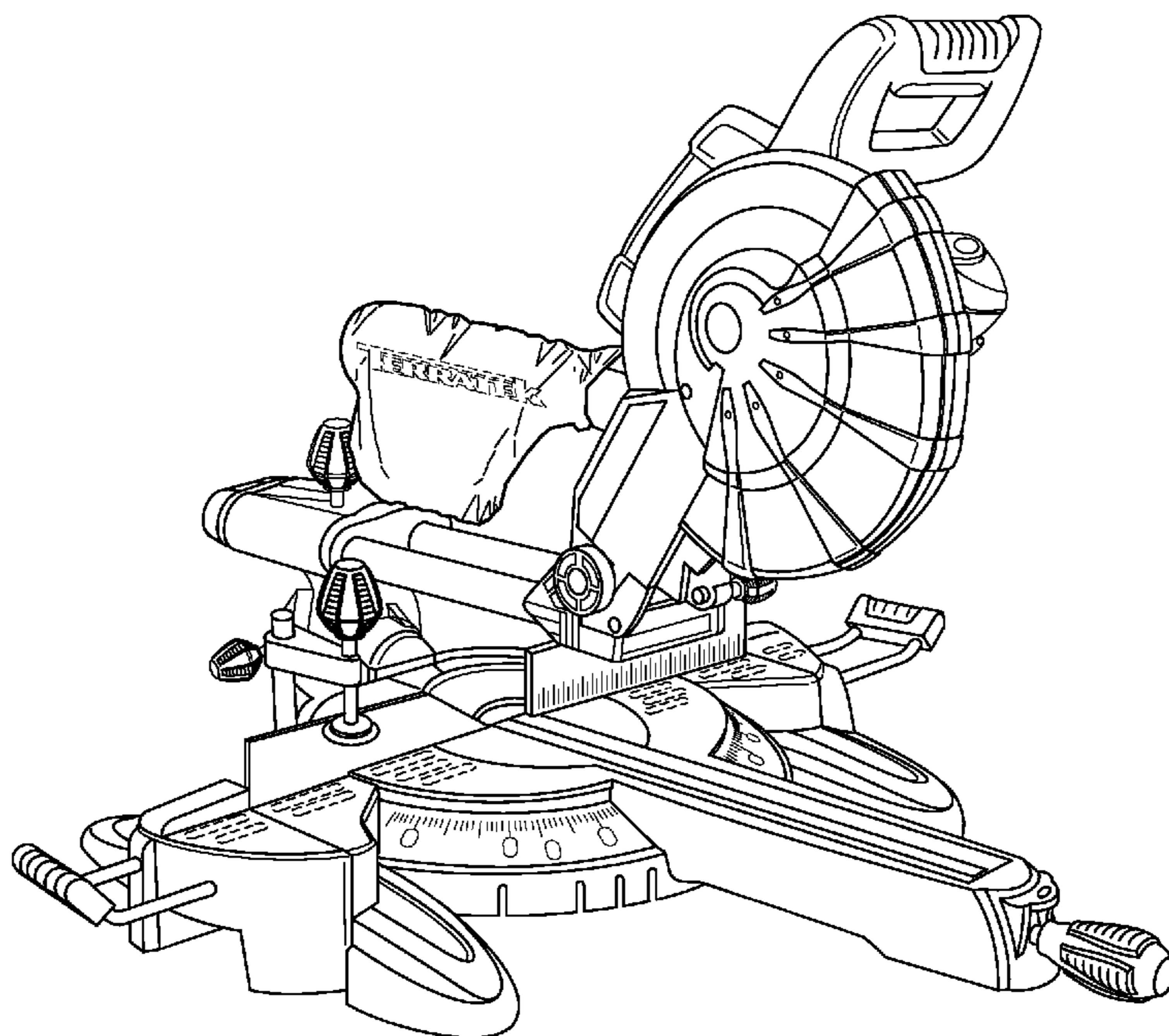
FIG. 5 is a bottom view of the mitre saw shown in FIG. 1;

FIG. 6 is a left side view of the mitre saw illustrated in FIG. 1; and,

FIG. 7 is a right side view of the mitre saw illustrated in FIG. 1.

The broken lines in the drawings depict unclaimed environmental subject matter.

**1 Claim, 7 Drawing Sheets**



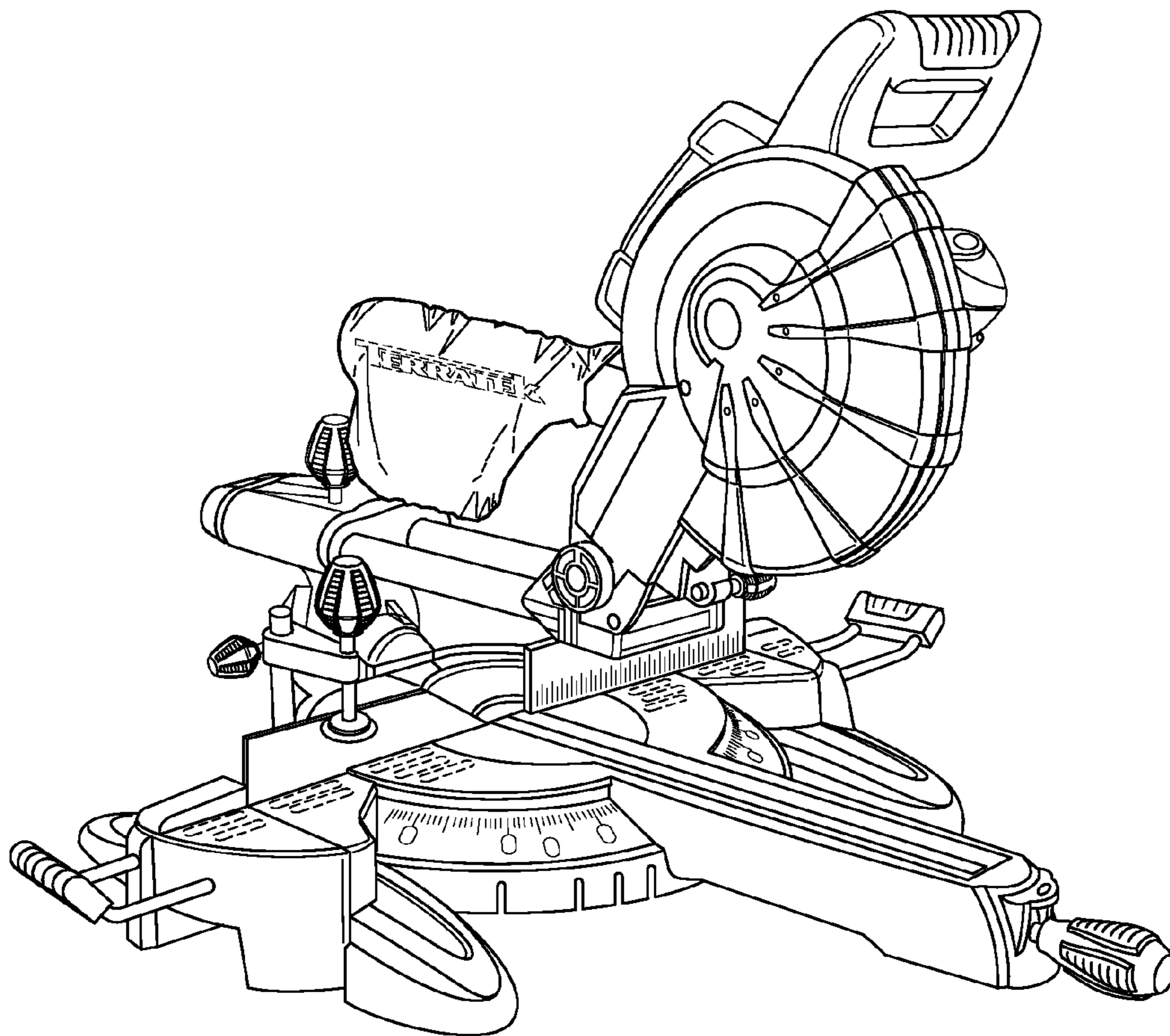


FIG. 1

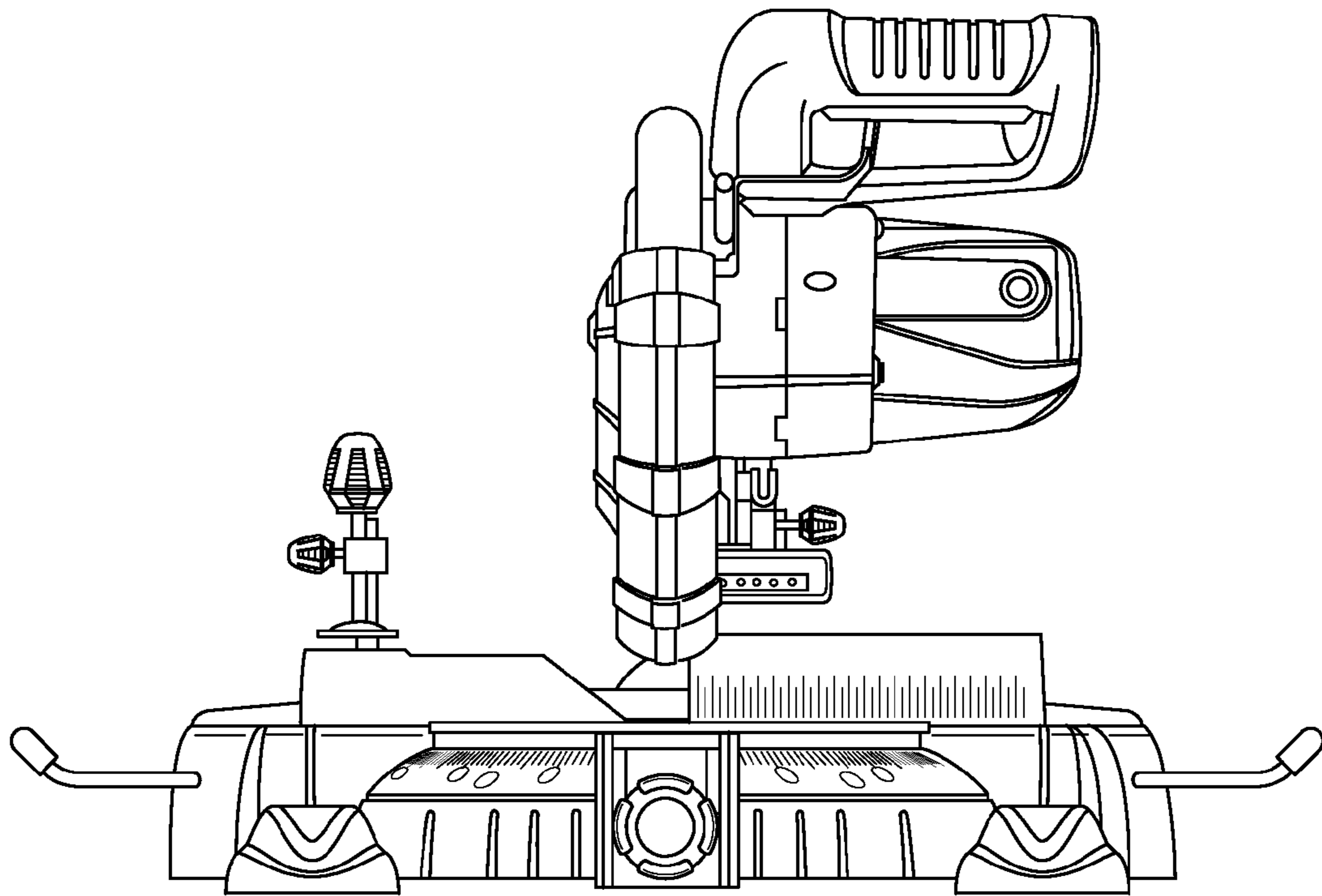


FIG. 2

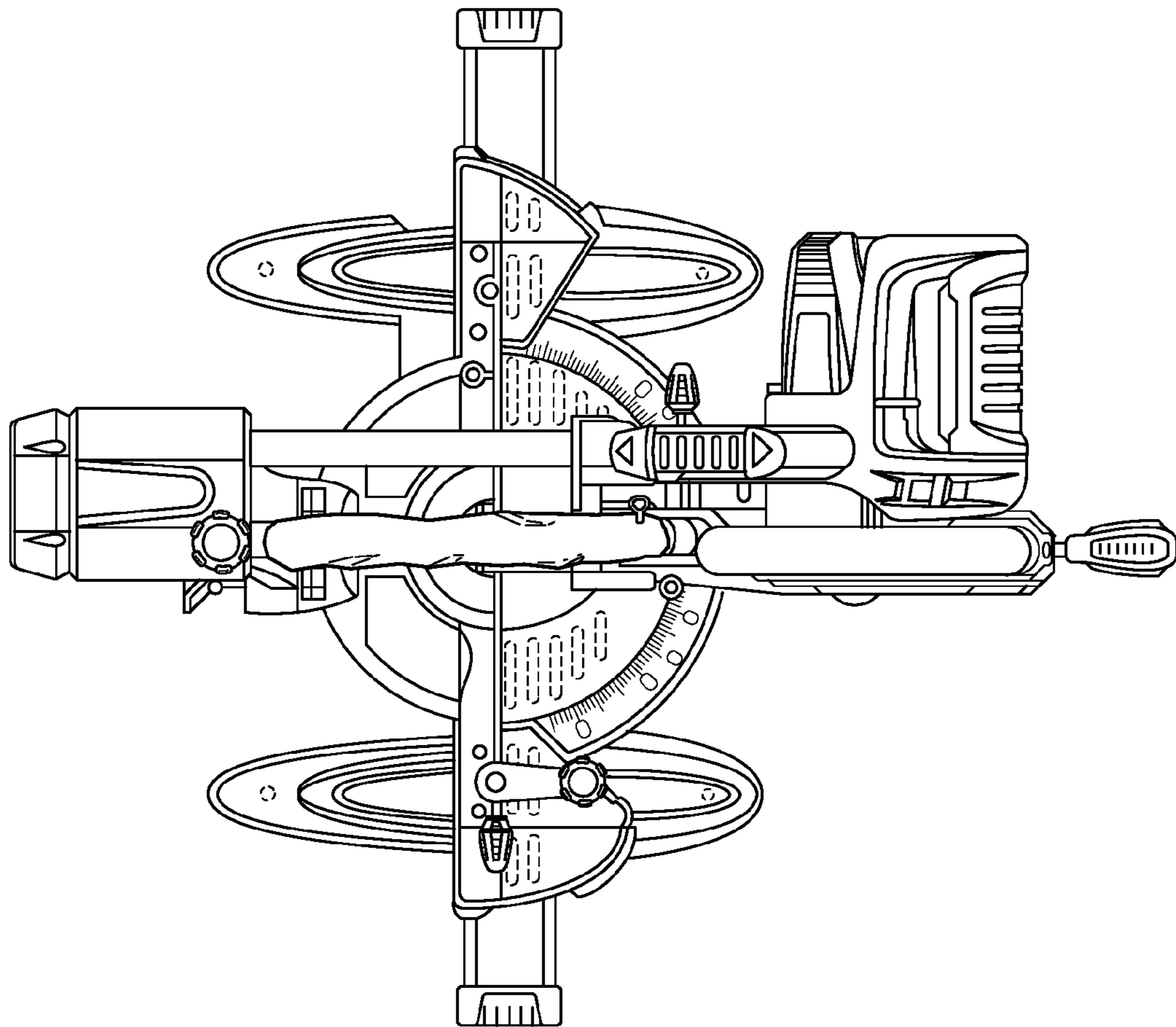


FIG. 3

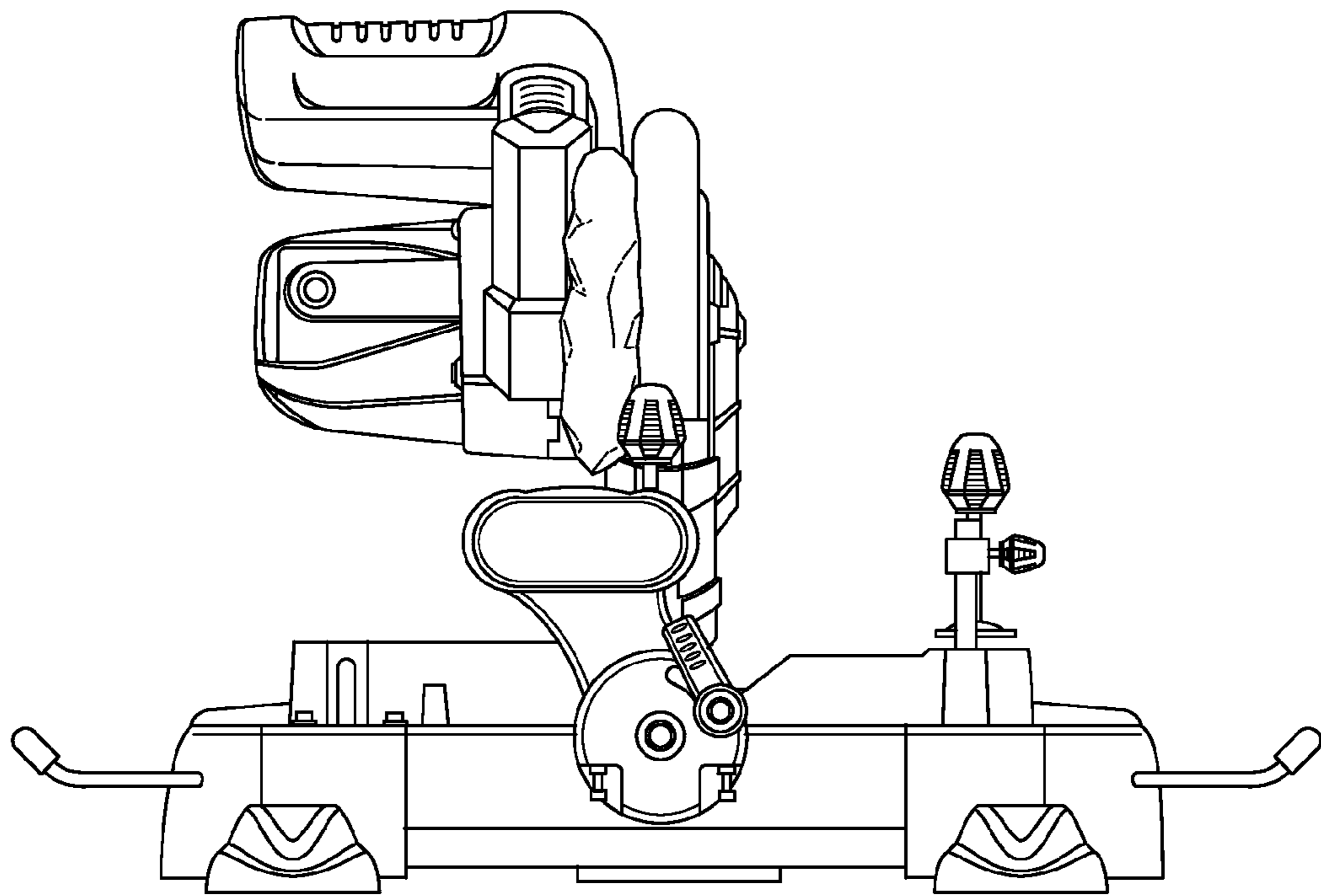


FIG. 4

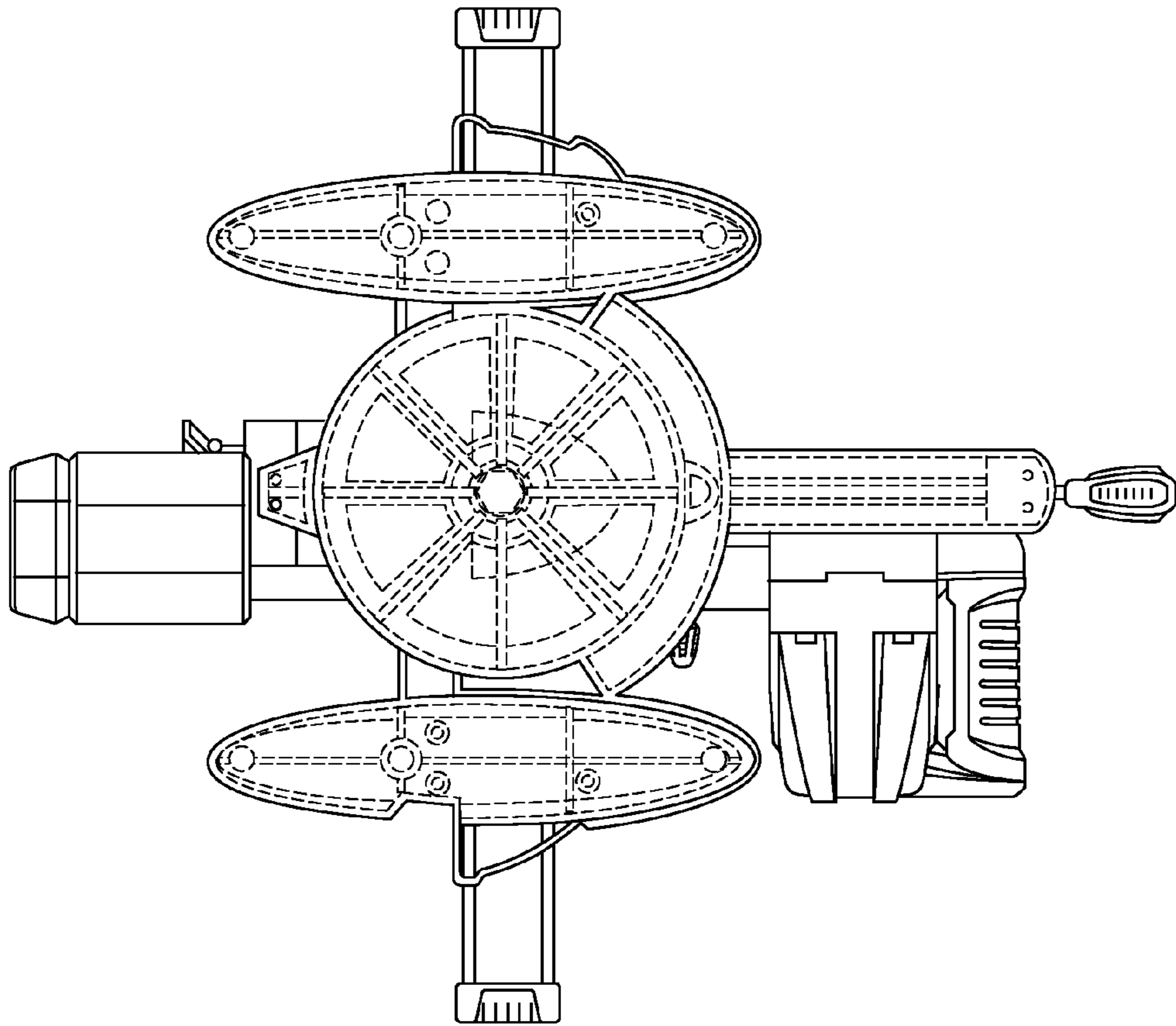


FIG. 5

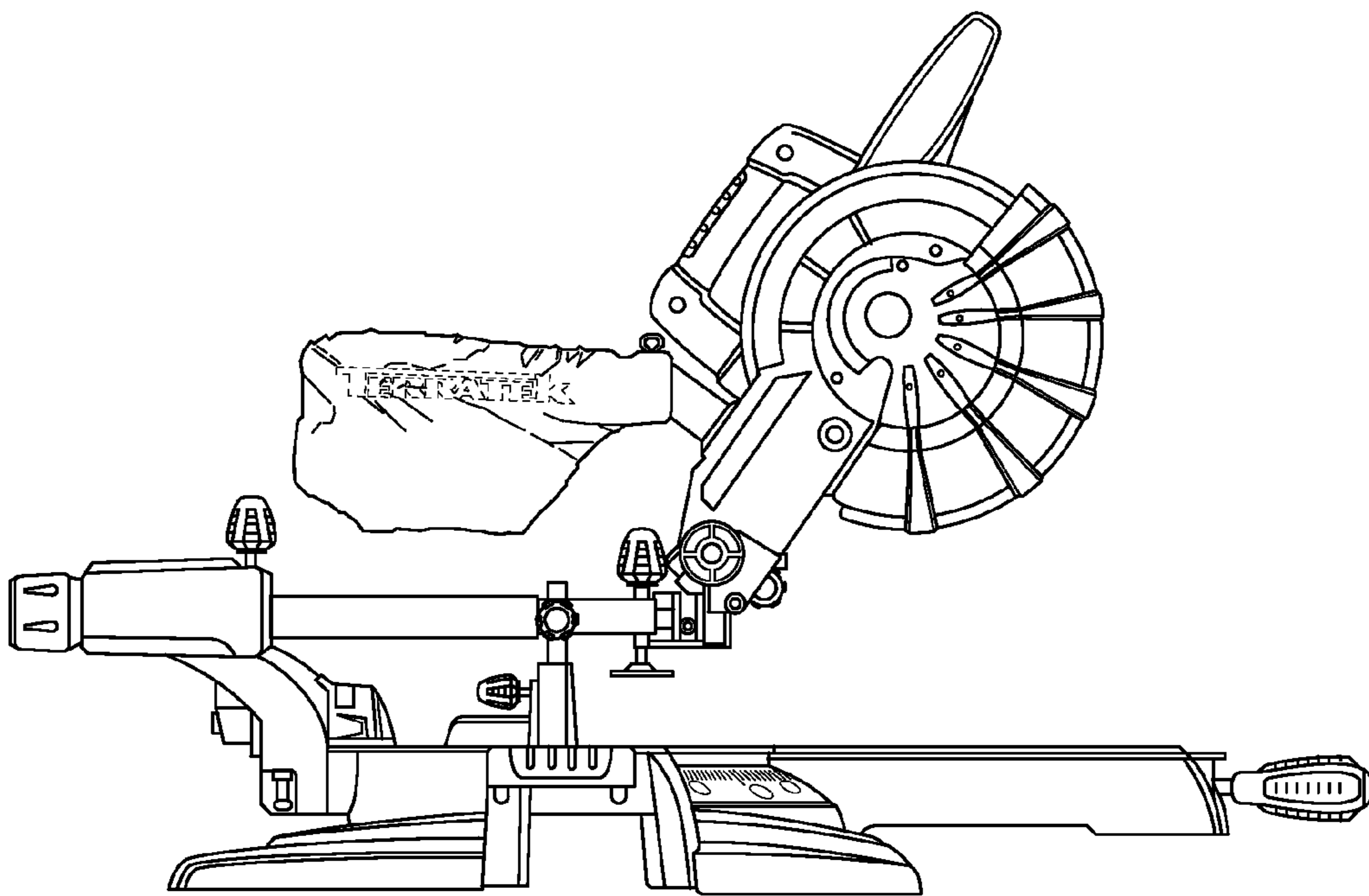


FIG. 6

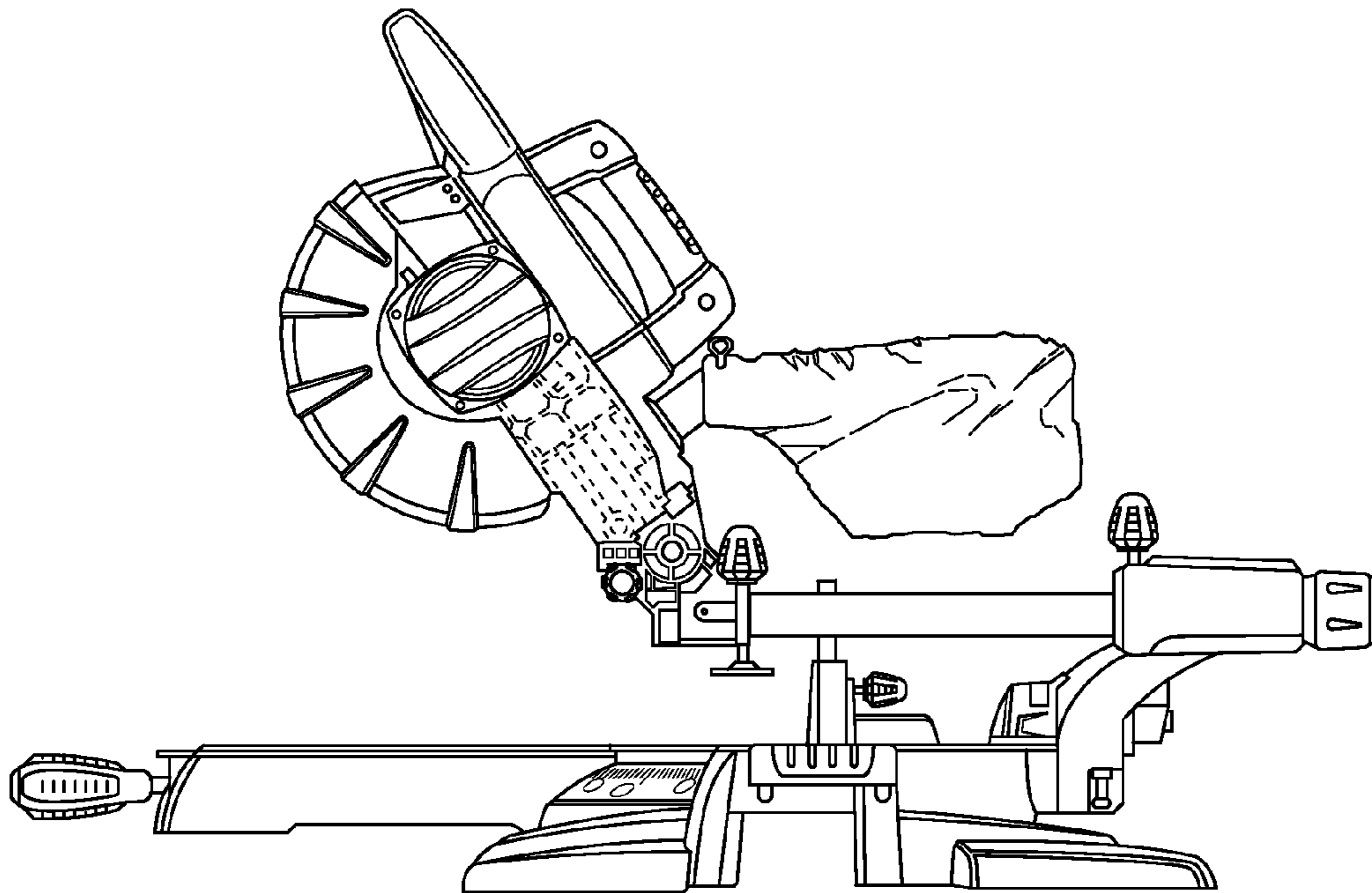


FIG. 7