



US00D626158S

(12) **United States Design Patent**  
**Jebb**

(10) **Patent No.:** **US D626,158 S**

(45) **Date of Patent:** **\*\* Oct. 26, 2010**

(54) **TABLE SAW**

(76) **Inventor:** **David Jebb**, Hill Farm, Sleep Hill Lane,  
Skelbrooke, Doncaster (GB) DN6 8LZ

(\*\*) **Term:** **14 Years**

(21) **Appl. No.:** **29/339,465**

(22) **Filed:** **Jun. 30, 2009**

(30) **Foreign Application Priority Data**

Jan. 28, 2009 (EM) ..... 001079750-0003

(51) **LOC (9) Cl.** ..... **15-09**

(52) **U.S. Cl.** ..... **D15/133**

(58) **Field of Classification Search** ..... D8/61,  
D8/64-69; D15/133, 134; 30/377-378,  
30/388-391; 83/377, 378, 388, 397, 468.3,  
83/469

See application file for complete search history.

(56) **References Cited**

**U.S. PATENT DOCUMENTS**

- 5,174,349 A \* 12/1992 Svetlik et al. .... 144/286.5
- D411,090 S \* 6/1999 Chang ..... D8/66
- D425,529 S \* 5/2000 Svetlik ..... D15/133
- D442,190 S \* 5/2001 Chen ..... D15/133
- D545,330 S \* 6/2007 DiPasquale et al. .... D15/133
- D569,402 S \* 5/2008 DiPasquale et al. .... D15/133

- 2002/0092397 A1\* 7/2002 Liu ..... 83/471
- 2007/0245869 A1\* 10/2007 Welsh et al. .... 83/438
- 2009/0165624 A1\* 7/2009 Brown et al. .... 83/477

\* cited by examiner

*Primary Examiner*—Patricia Palasik

(74) *Attorney, Agent, or Firm*—Sonnenschein Nath &  
Rosenthal LLP; Brian R. McGinley

(57) **CLAIM**

The ornamental design for a table saw, as shown and described.

**DESCRIPTION**

FIG. 1 is a perspective of a table saw embodying the new design;

FIG. 2 is a front view of the table saw illustrated in FIG. 1;

FIG. 3 is a rear view of the table saw illustrated in FIG. 1;

FIG. 4 is a left side view of the table saw illustrated in FIG. 1;

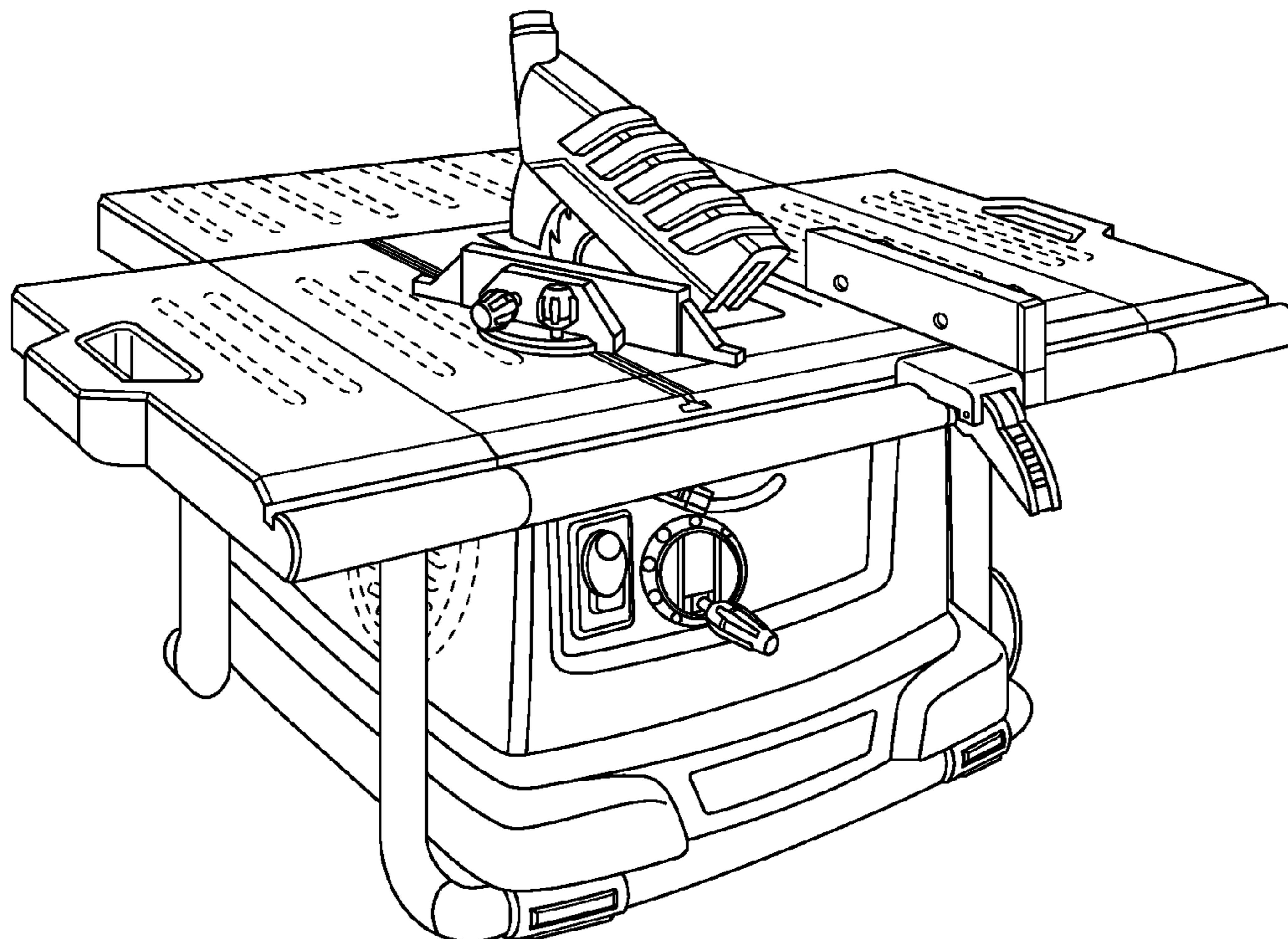
FIG. 5 is a right side view of the table saw shown in FIG. 1; and

FIG. 6 is a top view of the table saw illustrated in FIG. 1; and,

FIG. 7 is a bottom view of the table saw illustrated in FIG. 1.

The broken lines in the drawings depict unclaimed environmental subject matter.

**1 Claim, 7 Drawing Sheets**



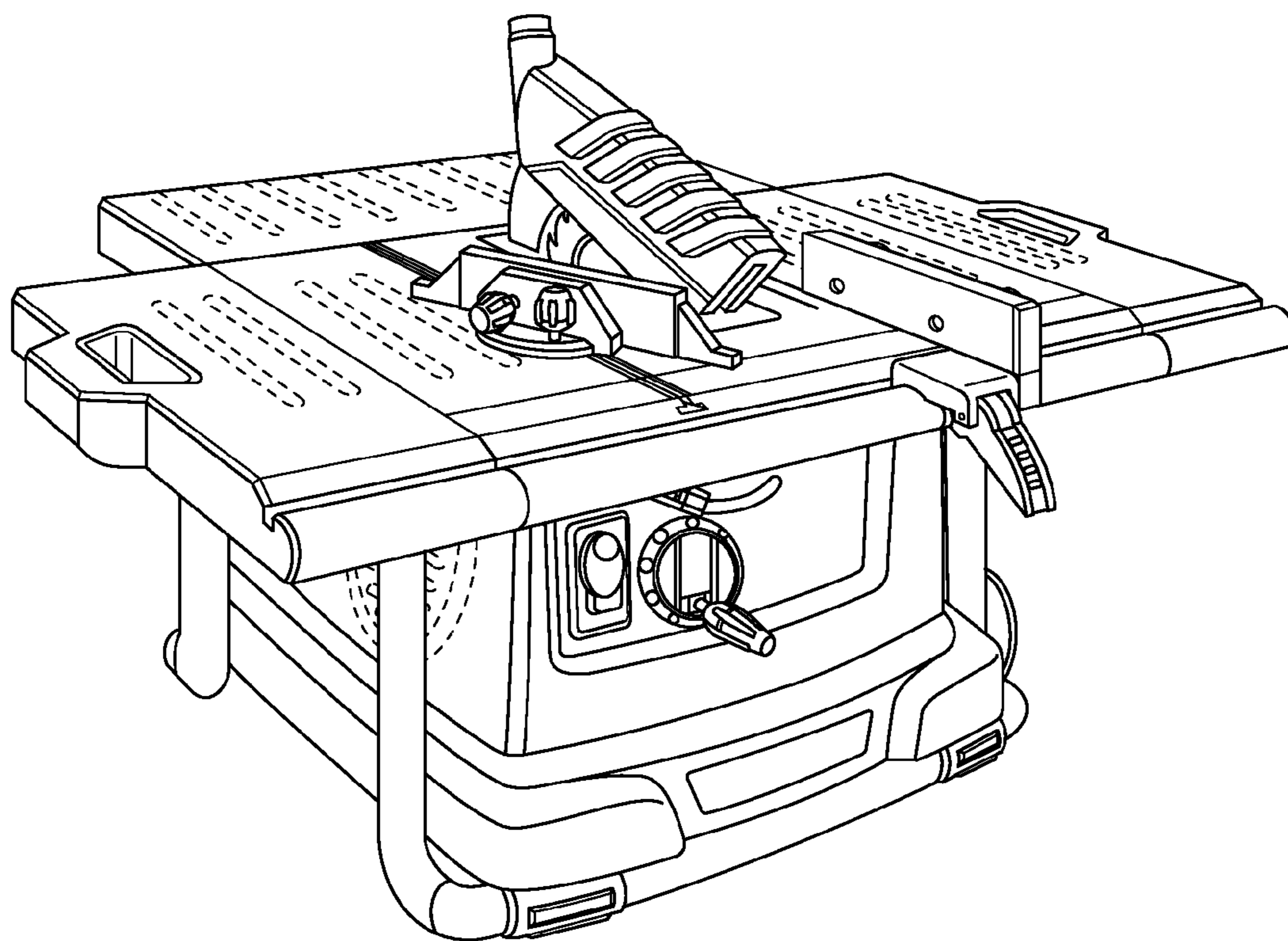


Fig. 1

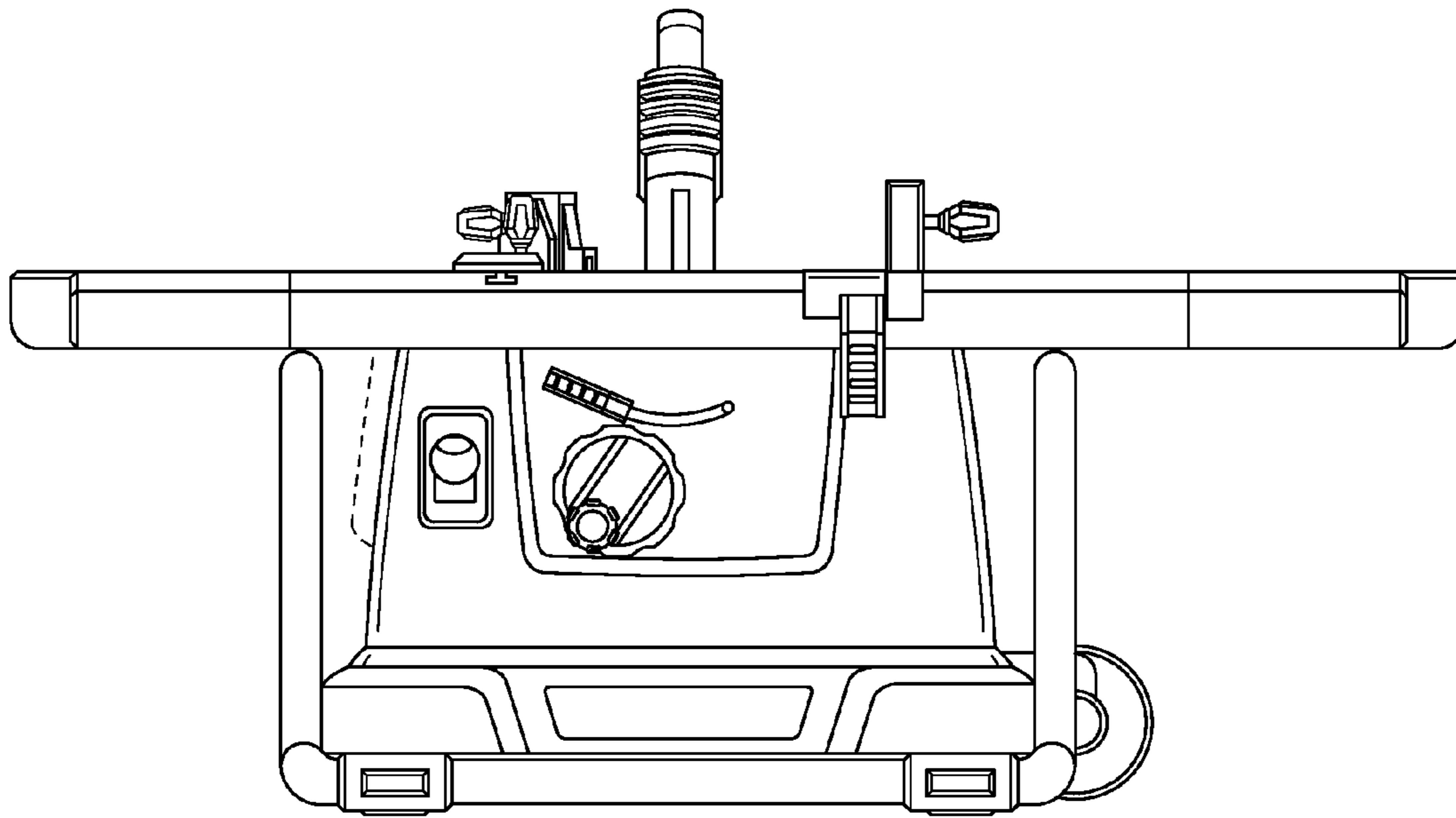


Fig. 2

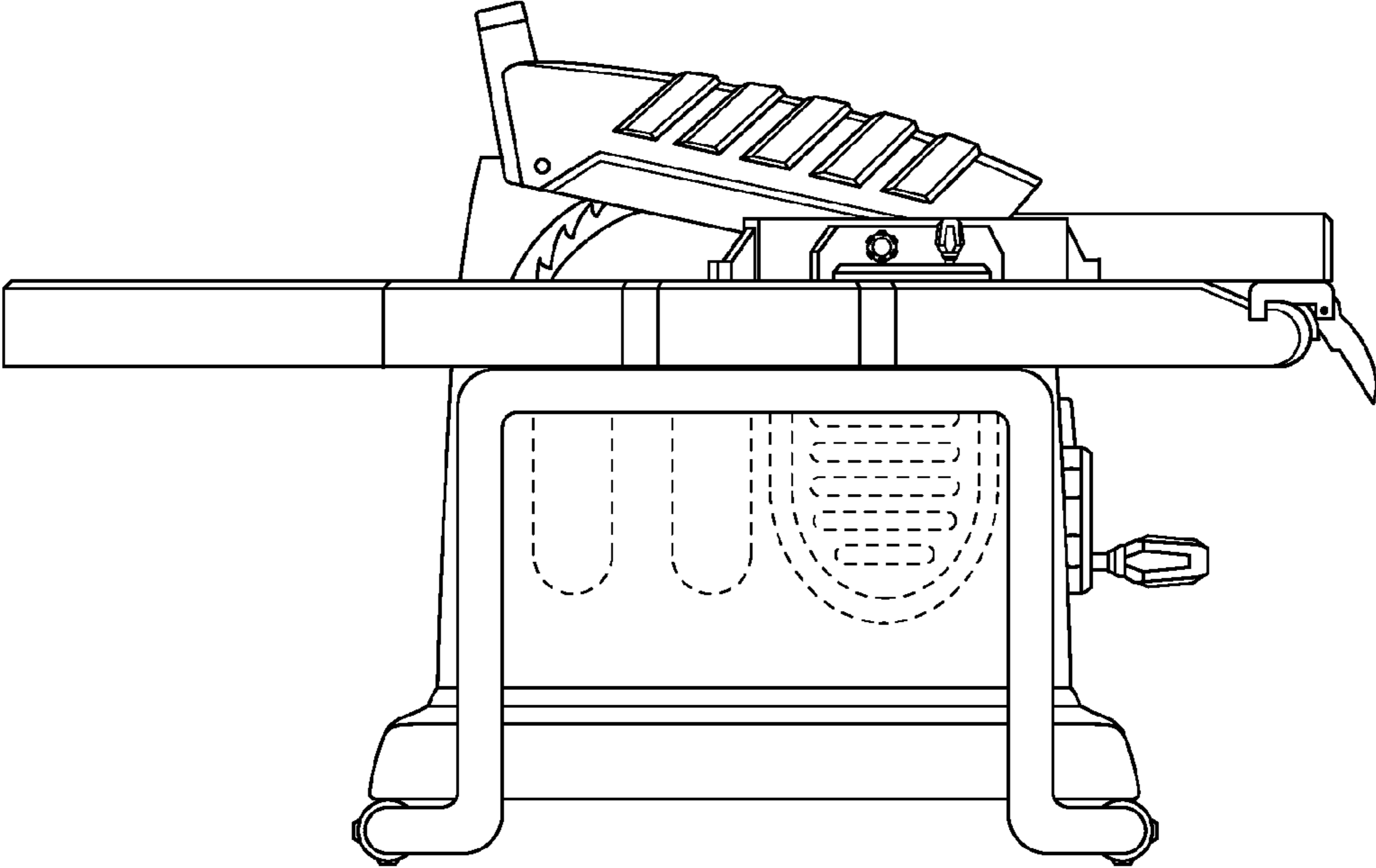


Fig. 3

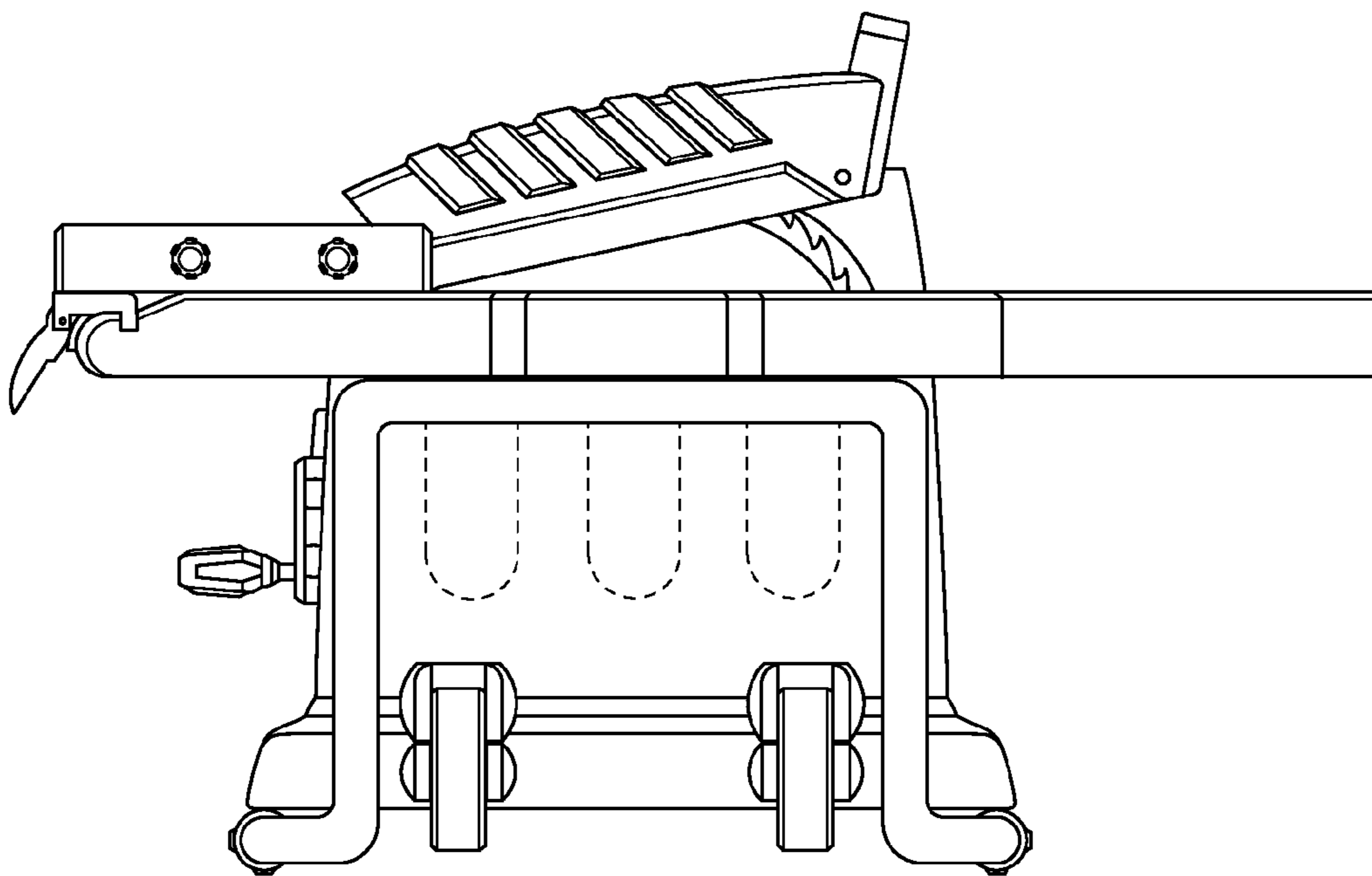


Fig. 4

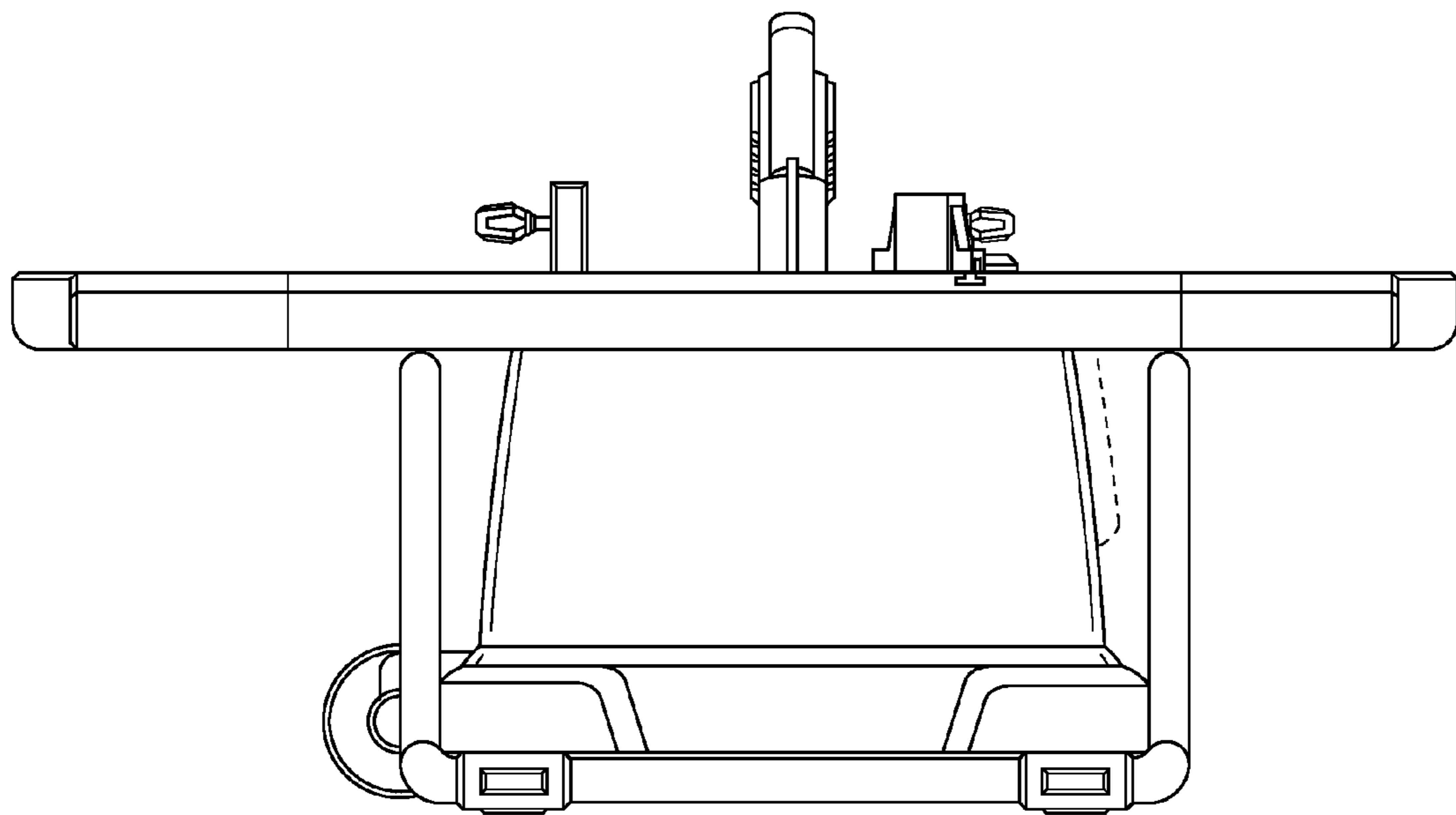


Fig. 5

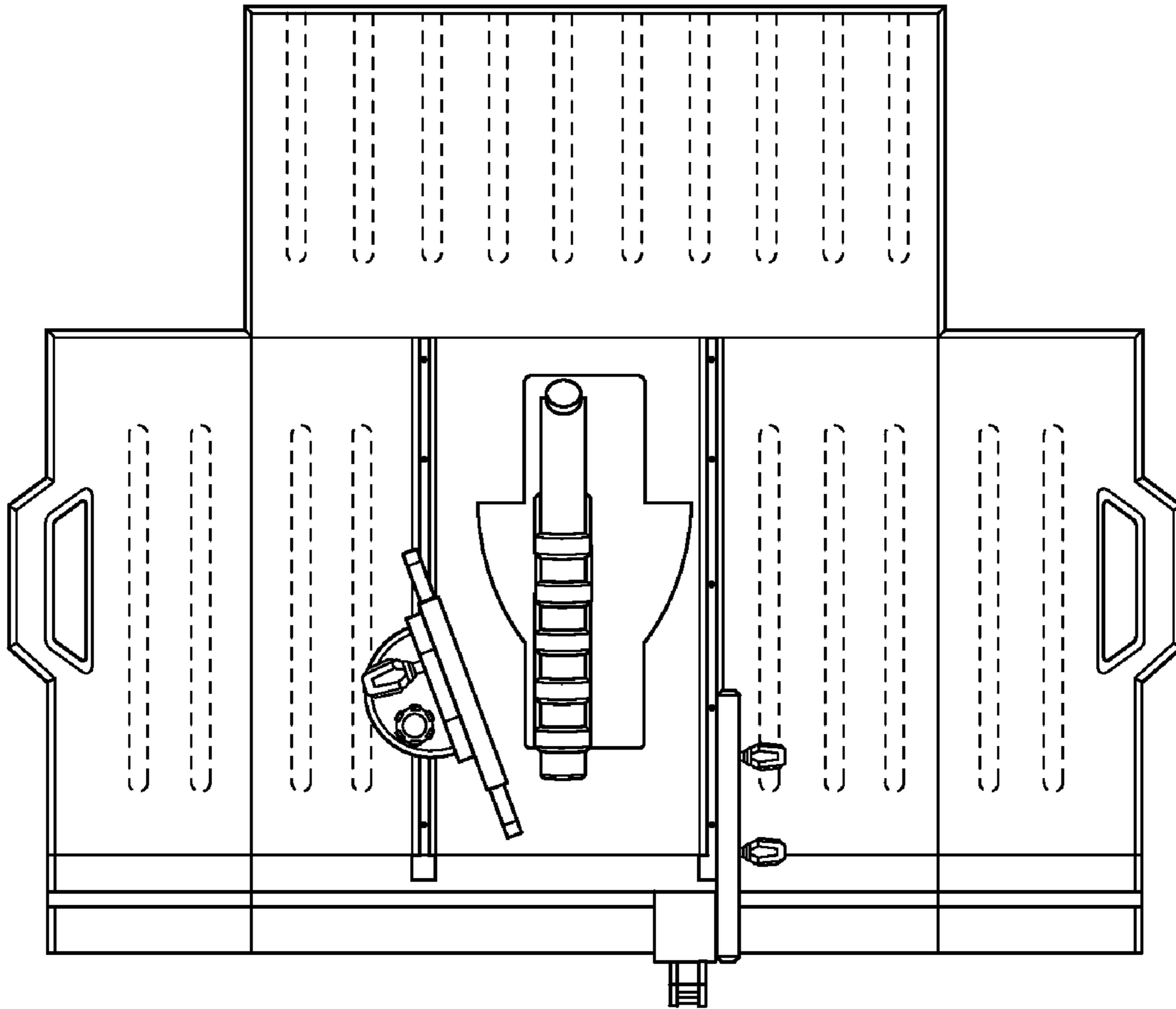


Fig. 6

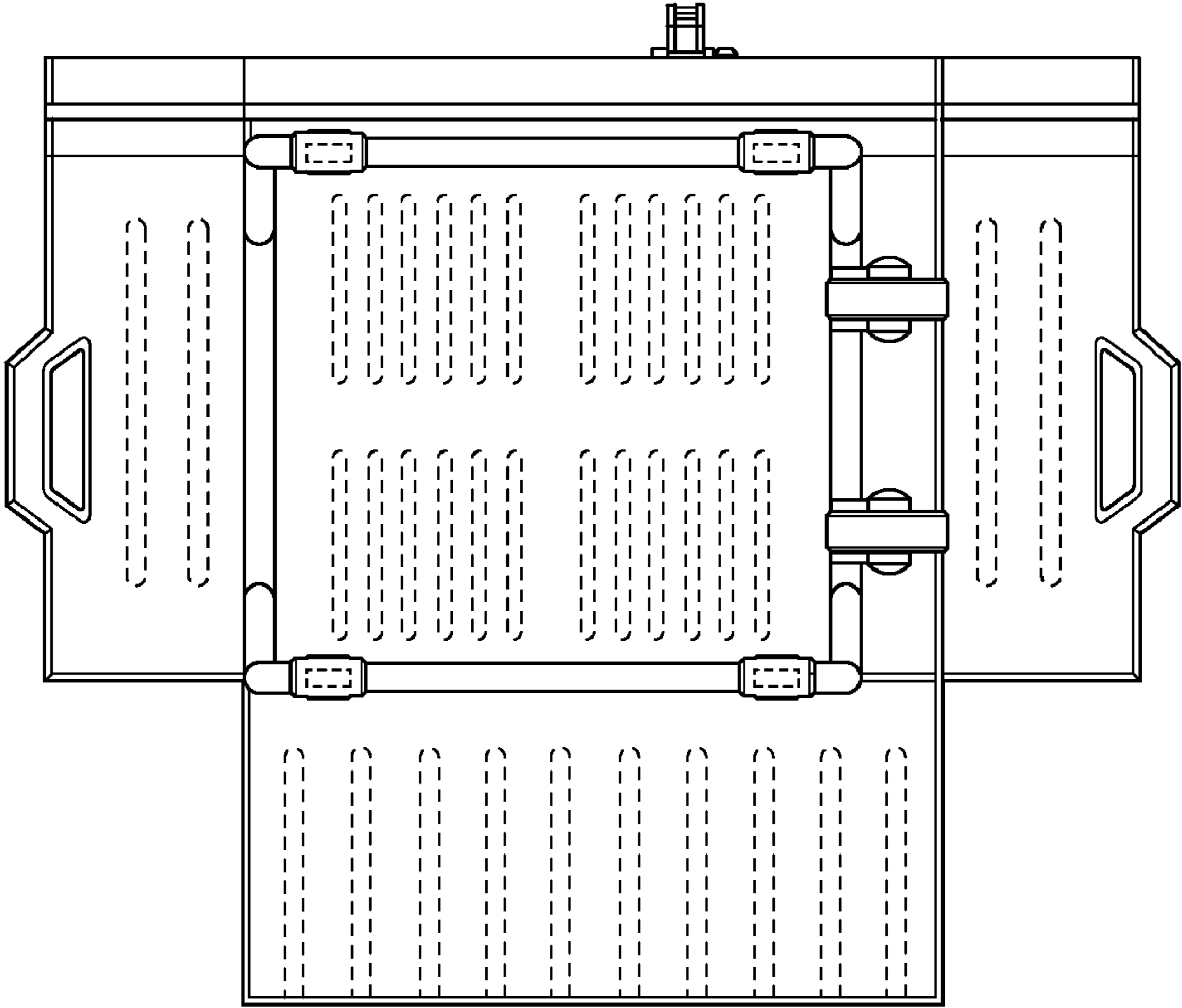


Fig. 7