



US00D626157S

(12) **United States Design Patent**
Jebb

(10) **Patent No.:** **US D626,157 S**
(45) **Date of Patent:** **** Oct. 26, 2010**

(54) **TABLE SAW**

(76) Inventor: **David Jebb**, Hill Farm, Sleep Hill Lane,
Skelbrooke, Doncaster (GB) DN6 8LZ

(**) Term: **14 Years**

(21) Appl. No.: **29/339,462**

(22) Filed: **Jun. 30, 2009**

(30) **Foreign Application Priority Data**

Mar. 20, 2009 (EM) 001110829-0002

(51) **LOC (9) Cl.** **15-09**

(52) **U.S. Cl.** **D15/133**

(58) **Field of Classification Search** D8/61,
D8/64-69; D15/133, 134; 30/377-378,
30/388-391; 83/377, 378, 388, 397, 468.3,
83/469

See application file for complete search history.

(56) **References Cited**

U.S. PATENT DOCUMENTS

D373,129 S * 8/1996 Wixey et al. D15/133
D528,571 S * 9/2006 Welsh D15/133
2004/0187666 A1* 9/2004 Huang 83/477.2

2008/0016998 A1* 1/2008 Keller 83/13
2009/0038459 A1* 2/2009 Burch et al. 83/520

* cited by examiner

Primary Examiner—Patricia Palasik

(74) *Attorney, Agent, or Firm*—Sonnenschein Nath &
Rosenthal LLP; Brian R. McGinley

(57) **CLAIM**

The ornamental design for a table saw, as shown and
described.

DESCRIPTION

FIG. 1 is a perspective of a table saw embodying the new
design;

FIG. 2 is a rear view of the table saw illustrated in FIG. 1;

FIG. 3 is a front view of the table saw illustrated in FIG. 1;

FIG. 4 is a left side view of the table saw illustrated in FIG. 1;

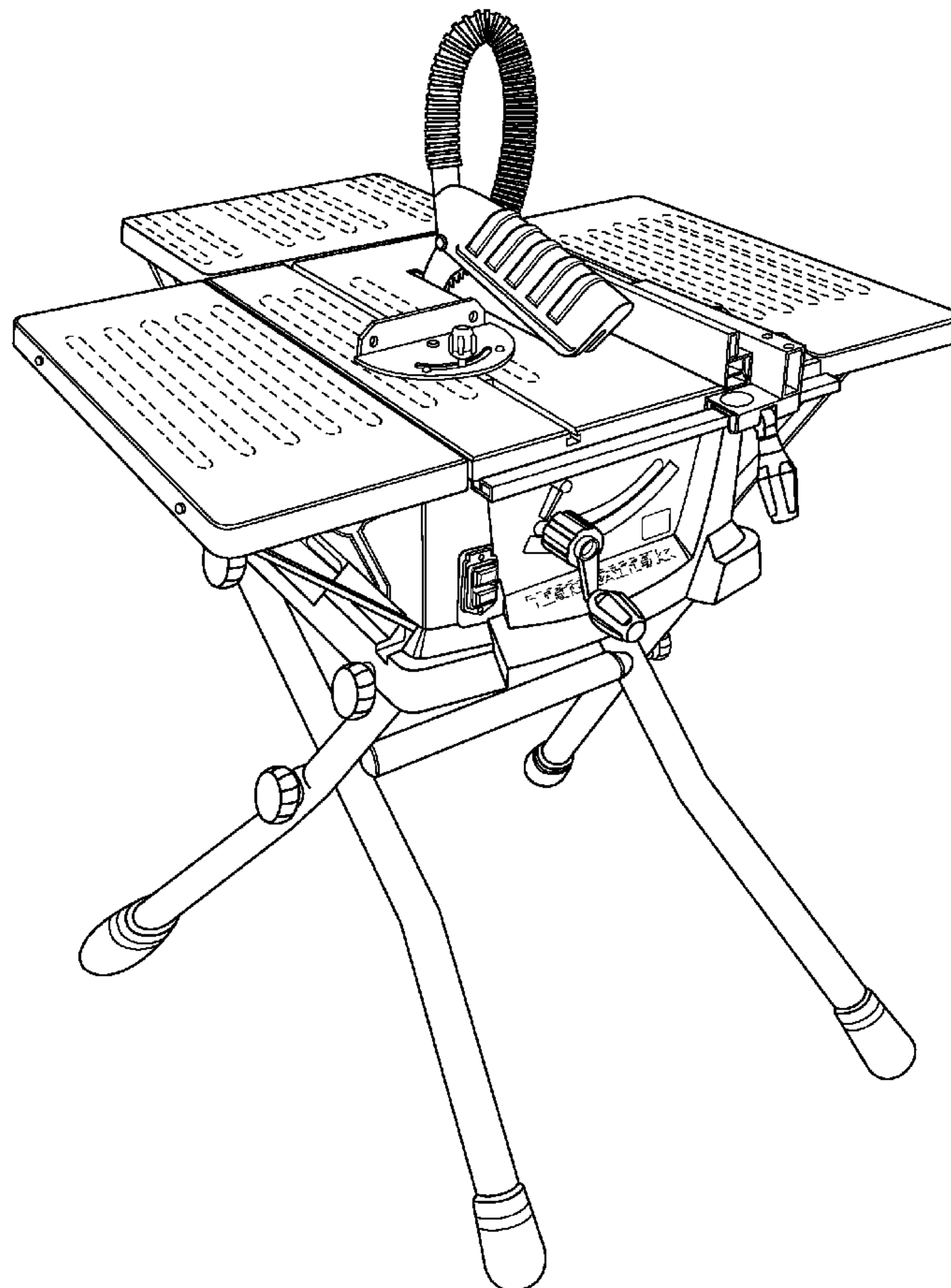
FIG. 5 is a right side view of the table saw shown in FIG. 1;

FIG. 6 is a top view of the table saw illustrated in FIG. 1; and,

FIG. 7 is a bottom view of the table saw illustrated in FIG. 1.

The broken lines in the drawings depict unclaimed environ-
mental subject matter.

1 Claim, 7 Drawing Sheets



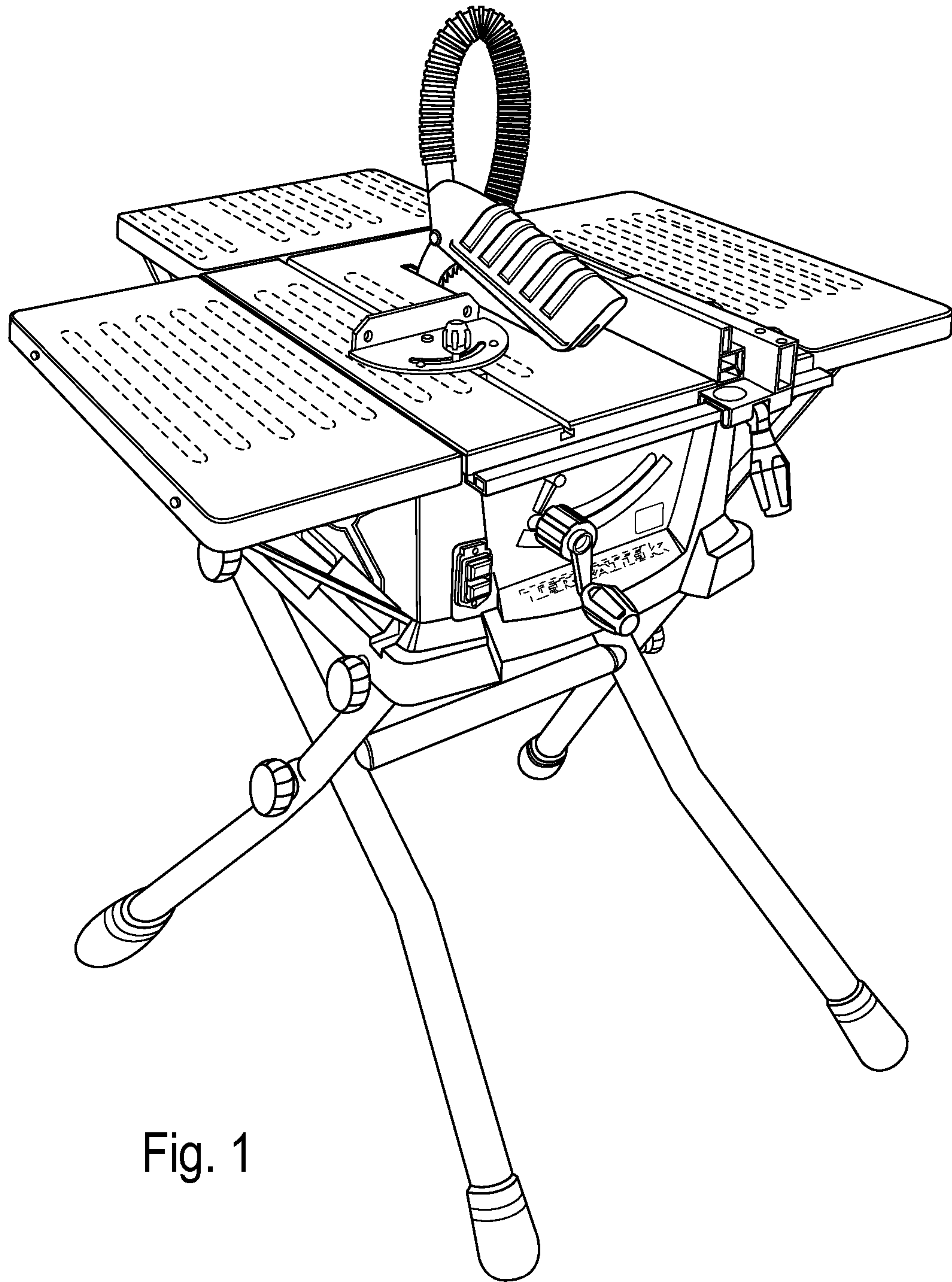


Fig. 1

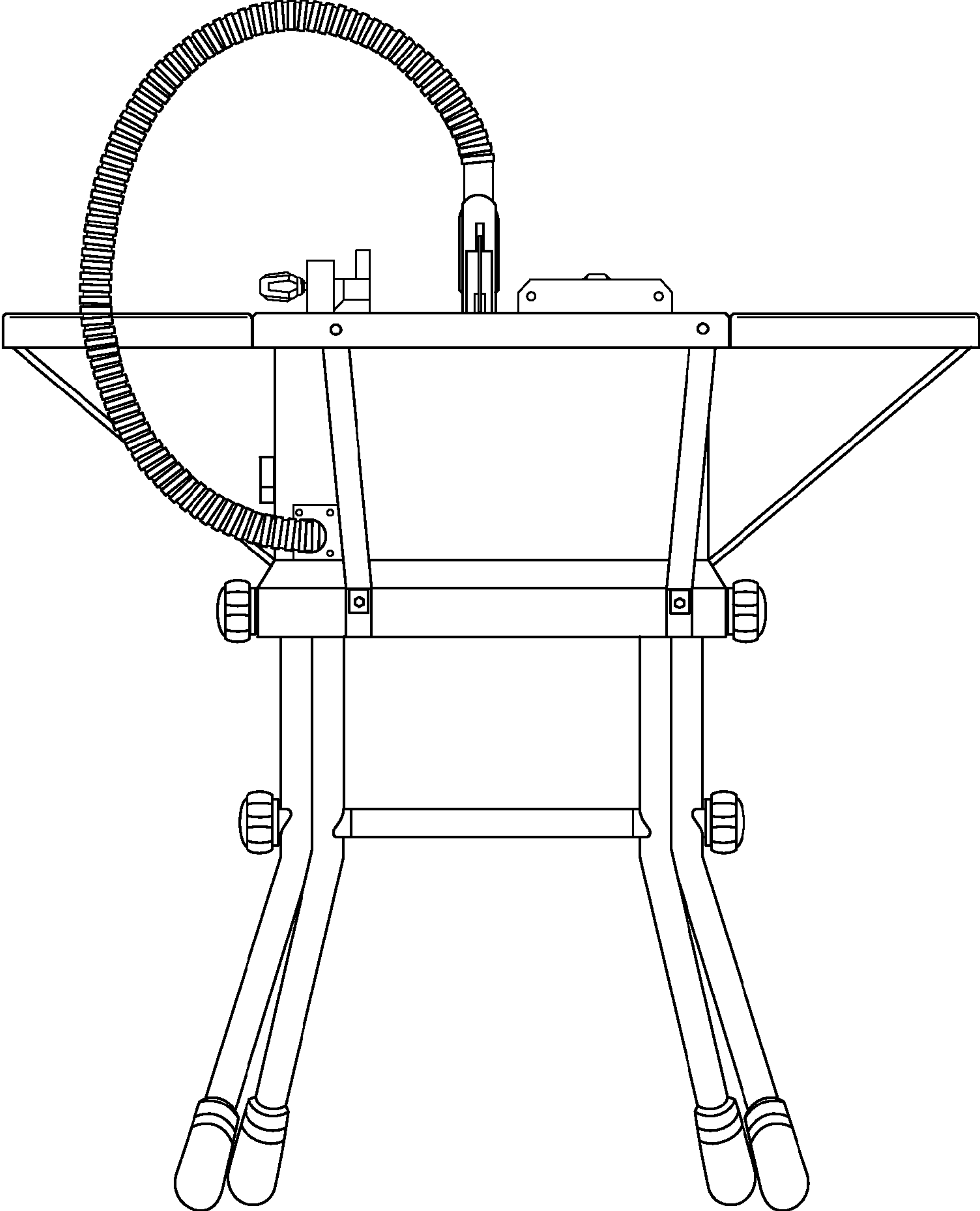


Fig. 2

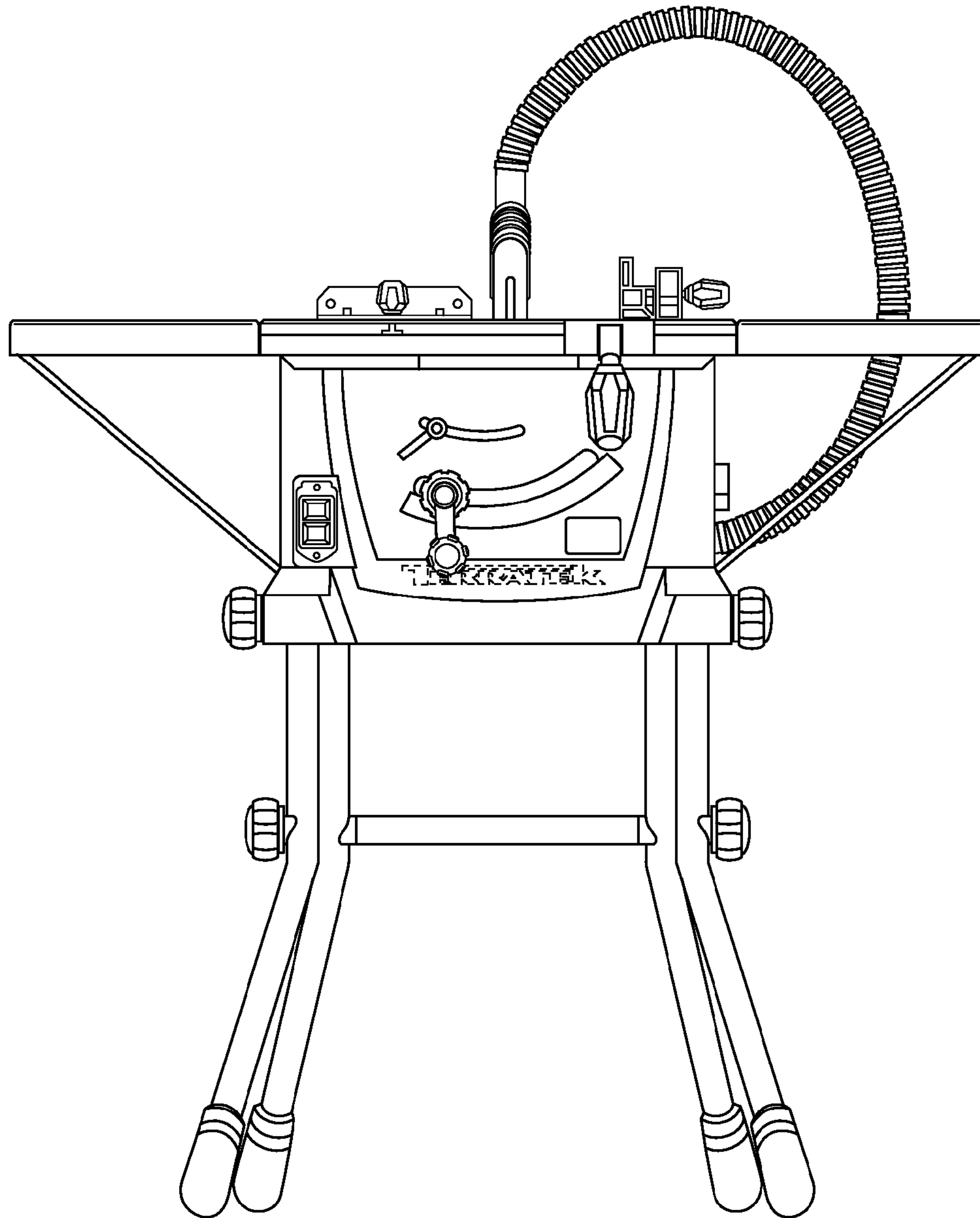


Fig. 3

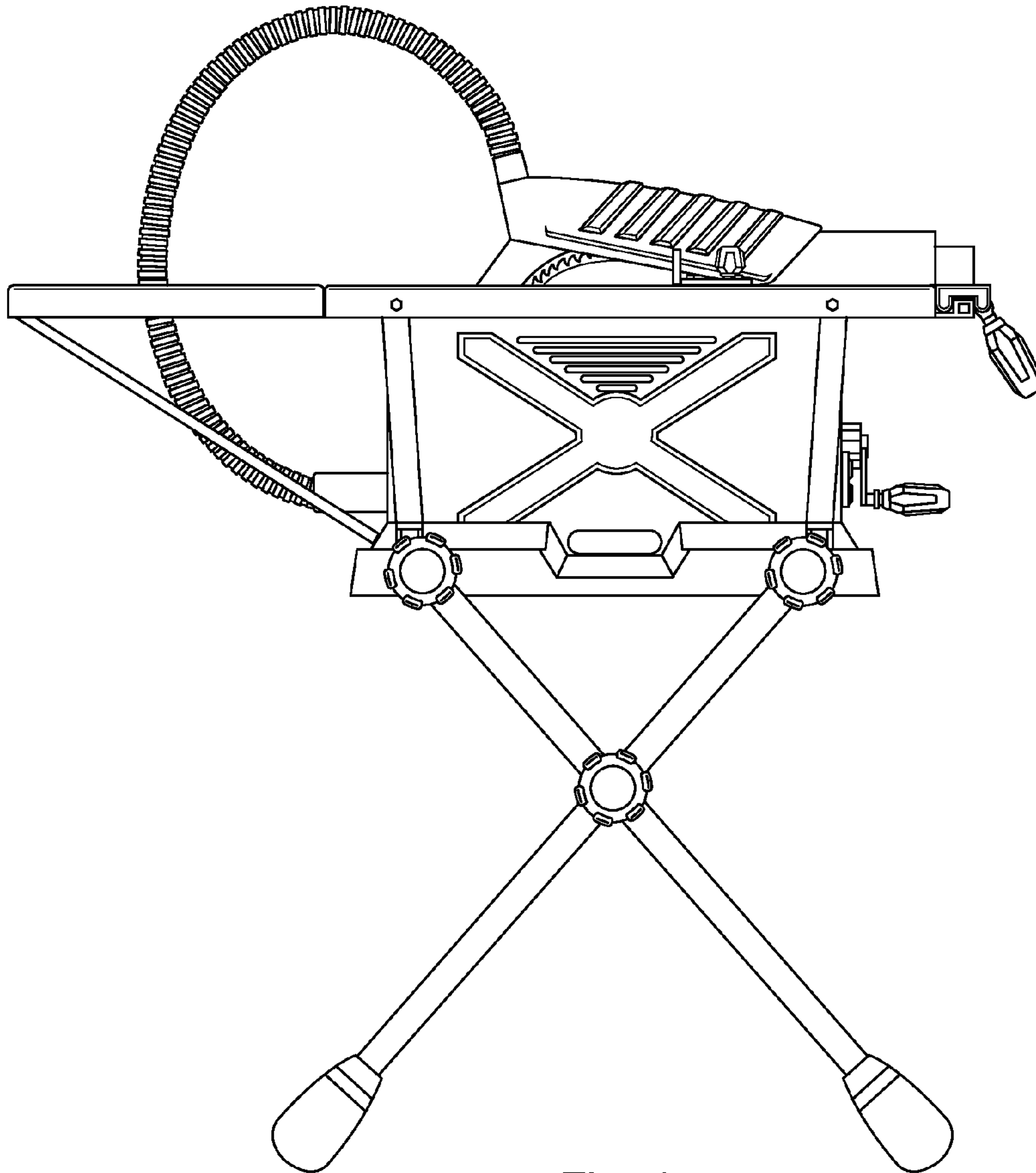


Fig. 4

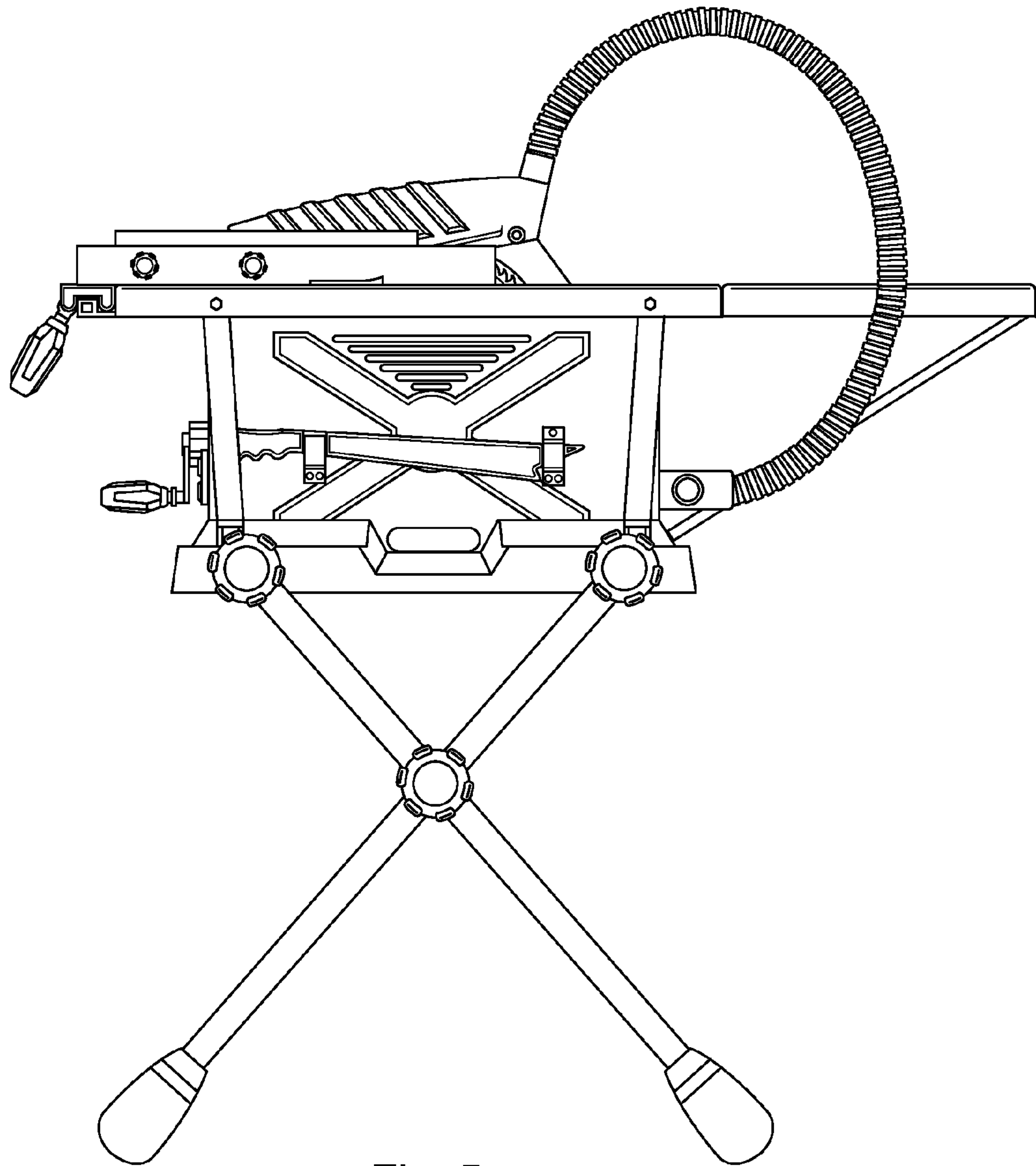


Fig. 5

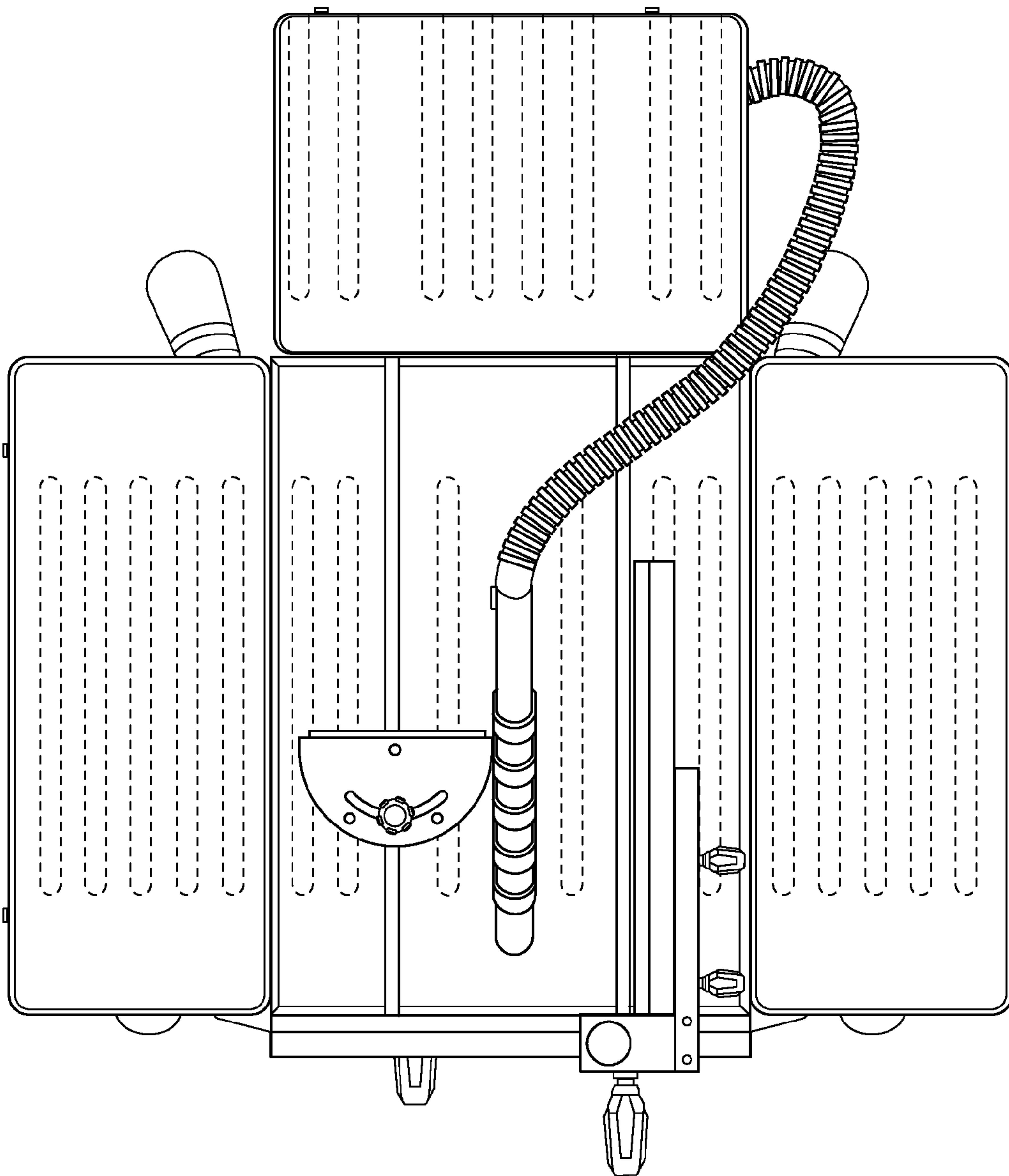


Fig.6

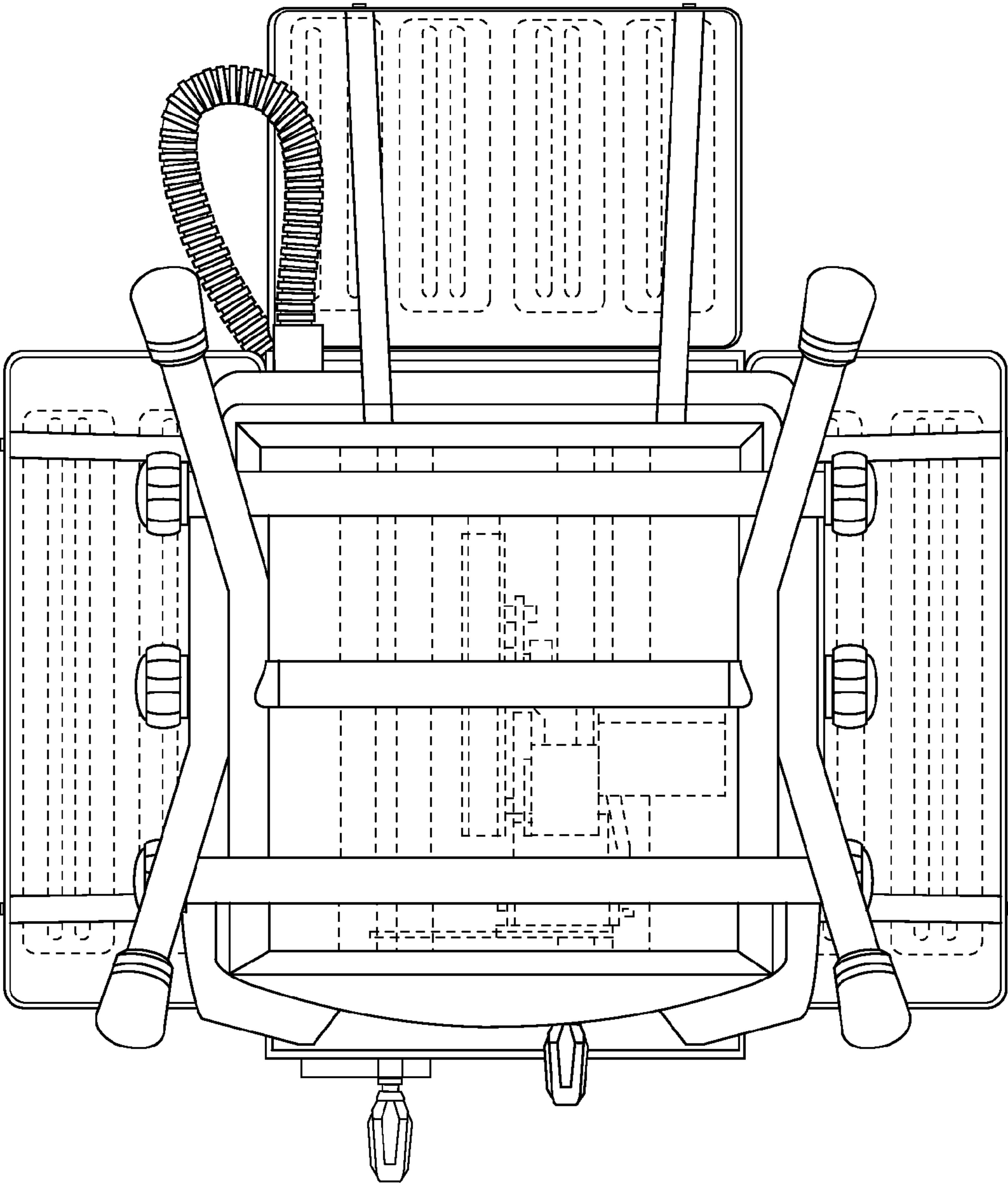


Fig.7