



US00D626155S

(12) **United States Design Patent**  
**Jebb**

(10) **Patent No.:** **US D626,155 S**

(45) **Date of Patent:** **\*\* Oct. 26, 2010**

(54) **BENCH DRILL**

(76) Inventor: **David Jebb**, Hill Farm, Sleep Hill Lane,  
Skelbrooke, Doncaster (GB) DN6 8LZ

(\*\*) Term: **14 Years**

(21) Appl. No.: **29/339,460**

(22) Filed: **Jun. 30, 2009**

(30) **Foreign Application Priority Data**

Apr. 27, 2009 (EM) ..... 001130181-0001

(51) **LOC (9) Cl.** ..... **15-09**

(52) **U.S. Cl.** ..... **D15/132**

(58) **Field of Classification Search** ..... D8/69;  
D15/132; 29/26 A, 27 R, 560; 144/46, 253.2,  
144/365; 408/20, 87, 91, 103, 110, 129,  
408/135, 140, 220, 227

See application file for complete search history.

(56) **References Cited**

**U.S. PATENT DOCUMENTS**

- D285,797 S \* 9/1986 Arehart ..... D15/132
- D401,947 S \* 12/1998 Chen ..... D15/132
- D412,509 S \* 8/1999 Chen et al. .... D15/132
- 5,980,167 A \* 11/1999 Chen ..... 408/87
- D465,501 S \* 11/2002 Zhang et al. .... D15/132
- D493,182 S \* 7/2004 Hosking ..... D15/132

- D541,319 S \* 4/2007 Etter et al. .... D15/132
- 2004/0047697 A1 \* 3/2004 Cheng ..... 408/67
- 2006/0104731 A1 \* 5/2006 Etter et al. .... 408/16
- 2006/0104733 A1 \* 5/2006 Carroll et al. .... 408/136

\* cited by examiner

*Primary Examiner*—Patricia Palasik

(74) *Attorney, Agent, or Firm*—Sonnenschein Nath &  
Rosenthal LLP; Brian R. McGinley

(57) **CLAIM**

The ornamental design for a bench drill, as shown and described.

**DESCRIPTION**

FIG. 1 is a perspective view of a bench drill embodying the new design;

FIG. 2 is a rear view of the bench drill illustrated in FIG. 1;

FIG. 3 is a front view of the bench drill illustrated in FIG. 1;

FIG. 4 is a left side view of the bench drill illustrated in FIG. 1;

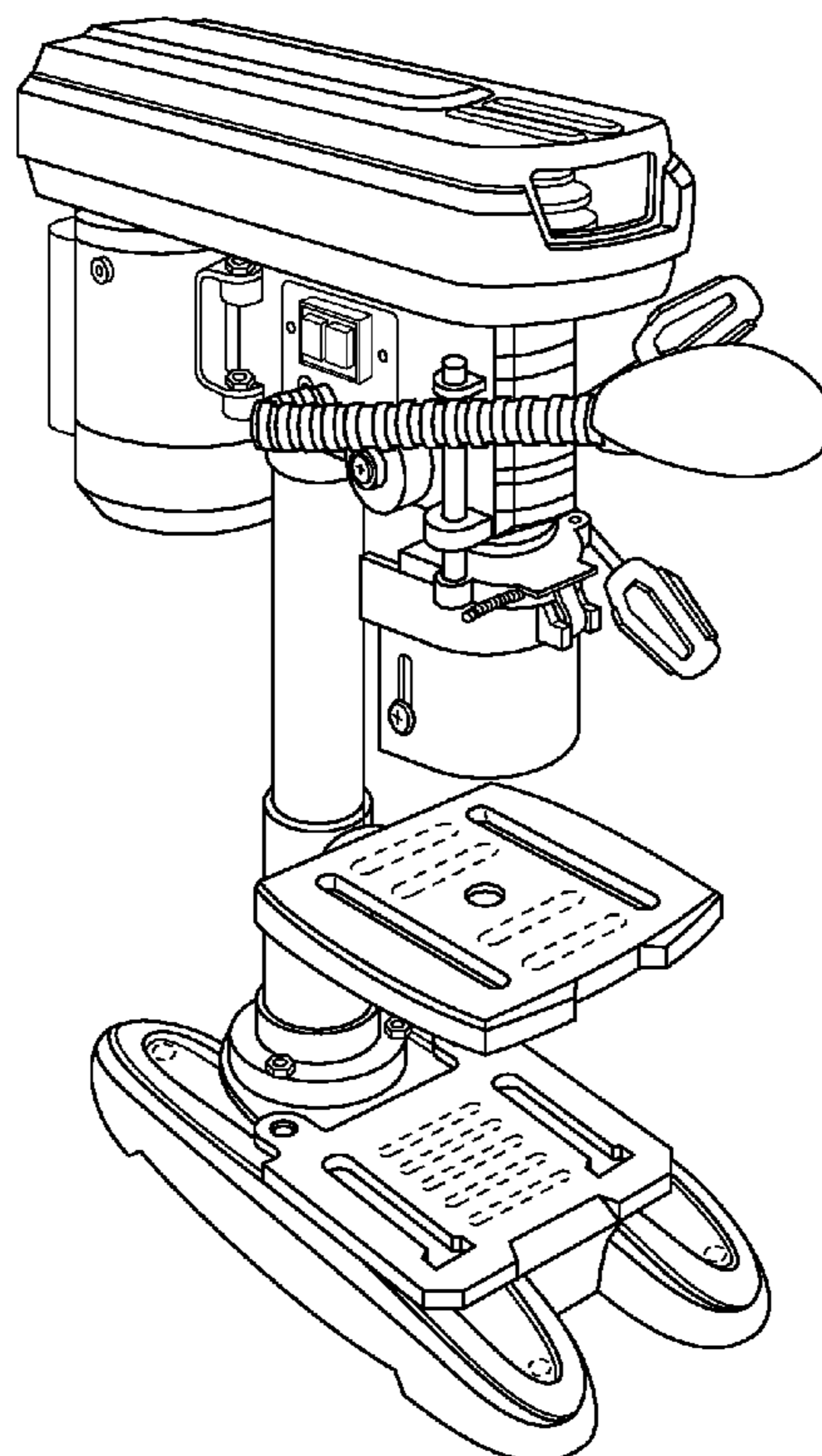
FIG. 5 is a right side view of the bench drill shown in FIG. 1;

FIG. 6 is a top view of the bench drill illustrated in FIG. 1; and,

FIG. 7 is a bottom view of the bench drill illustrated in FIG. 1.

The broken lines in the drawings depict unclaimed environmental subject matter.

**1 Claim, 7 Drawing Sheets**



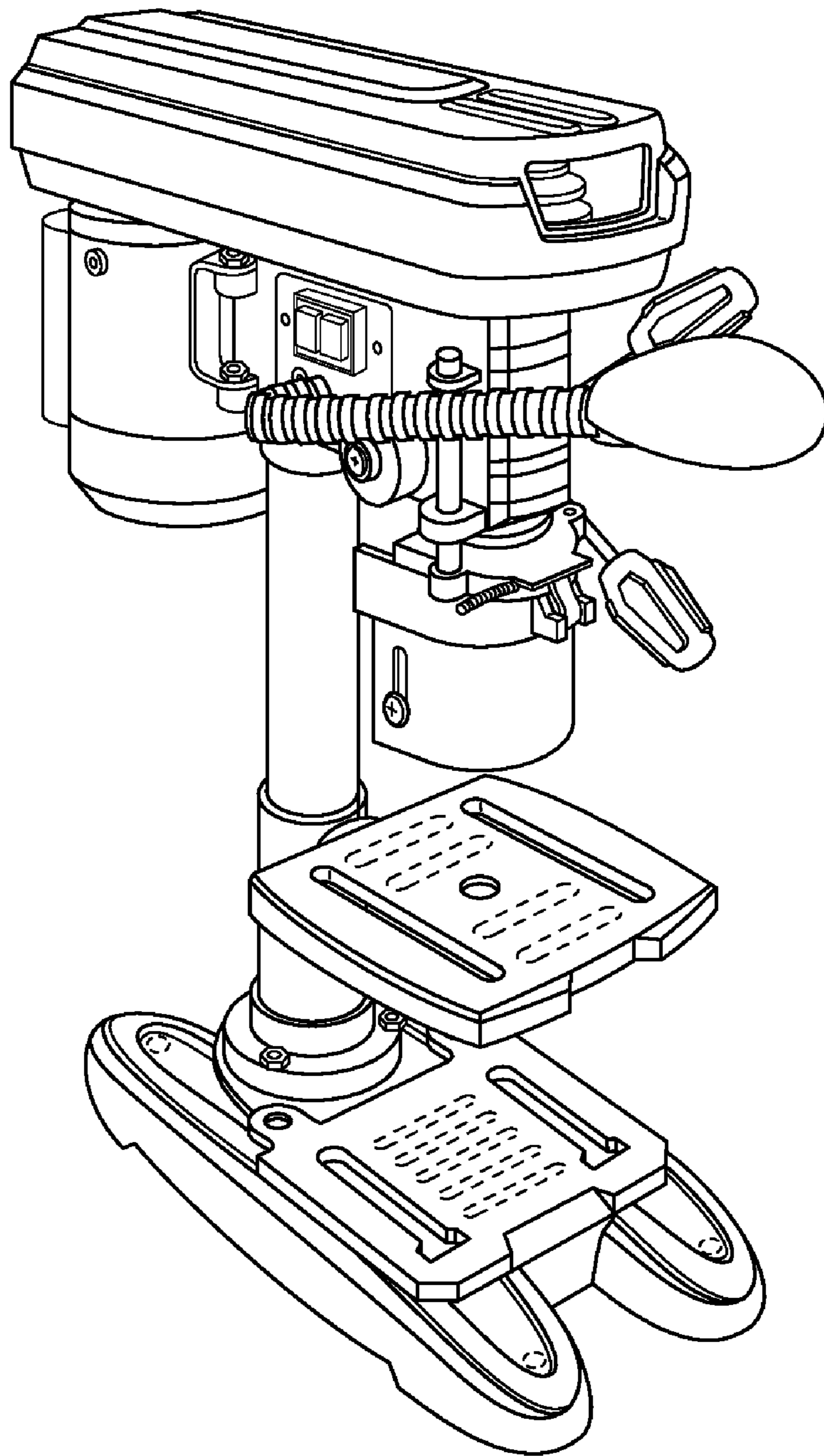


Fig. 1

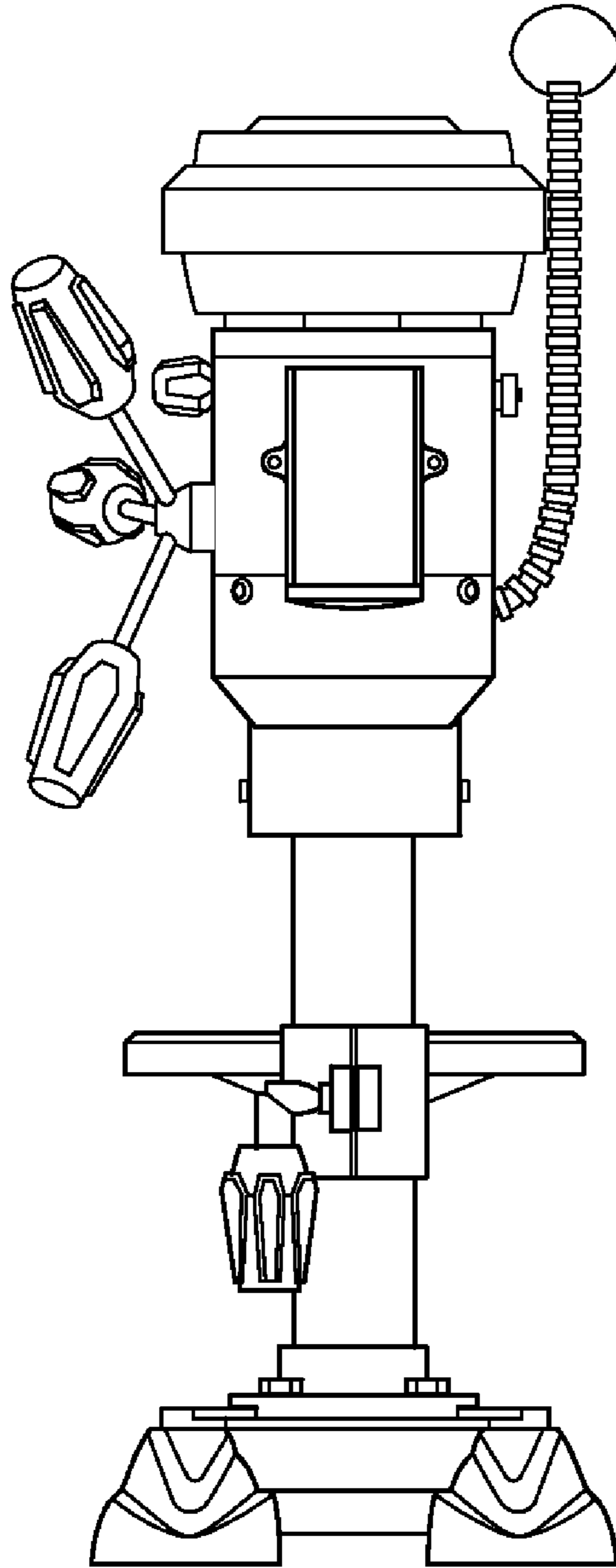


Fig. 2

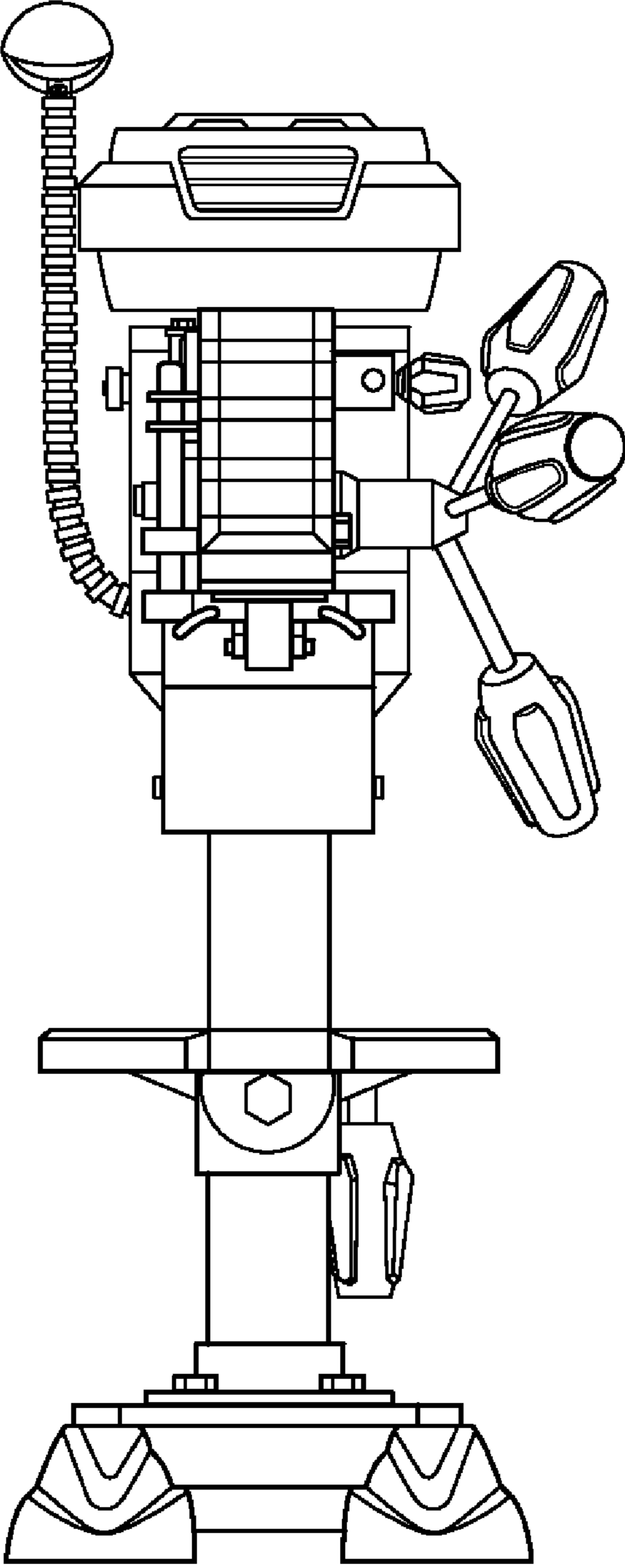


Fig. 3

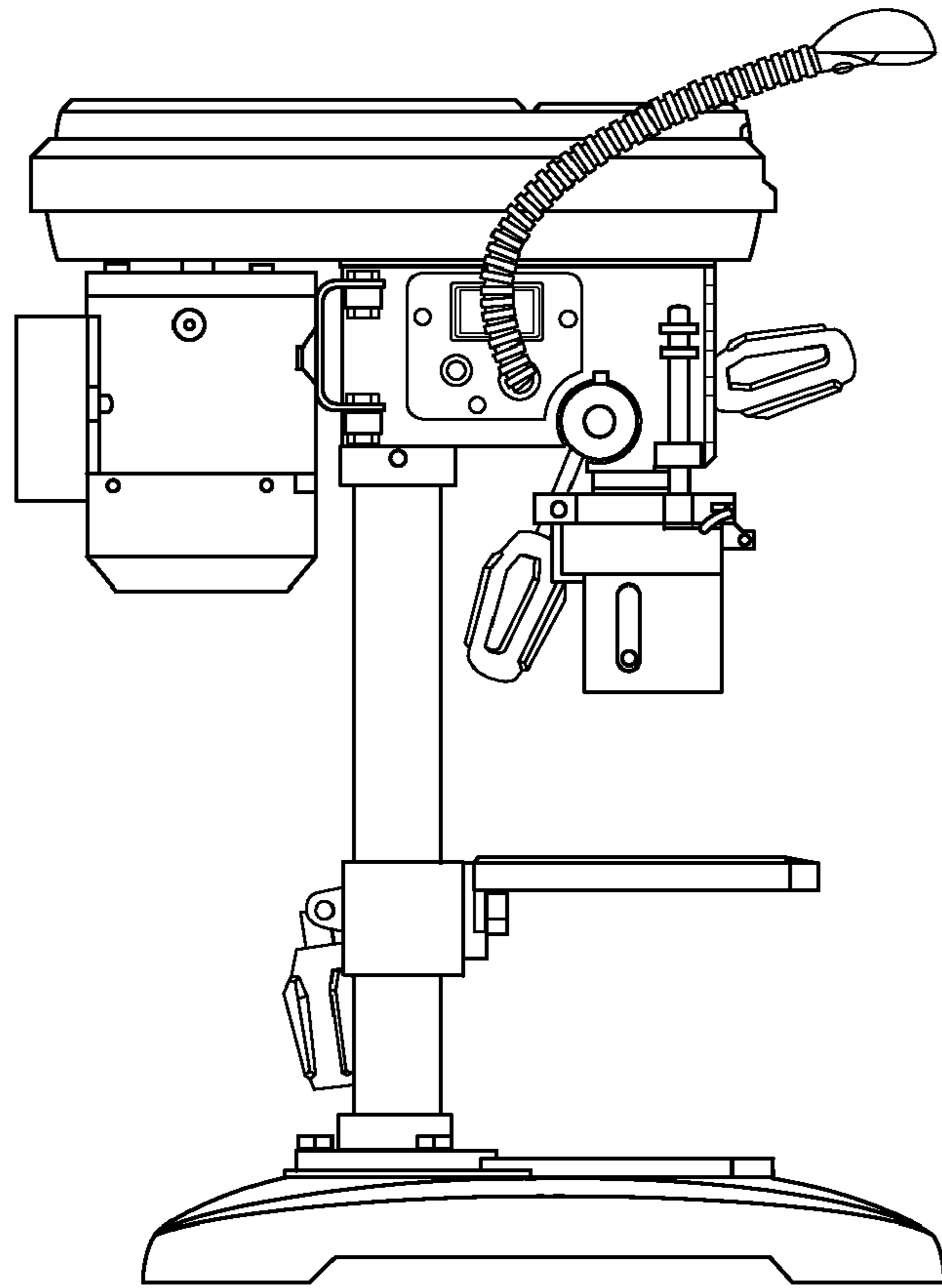


Fig. 4

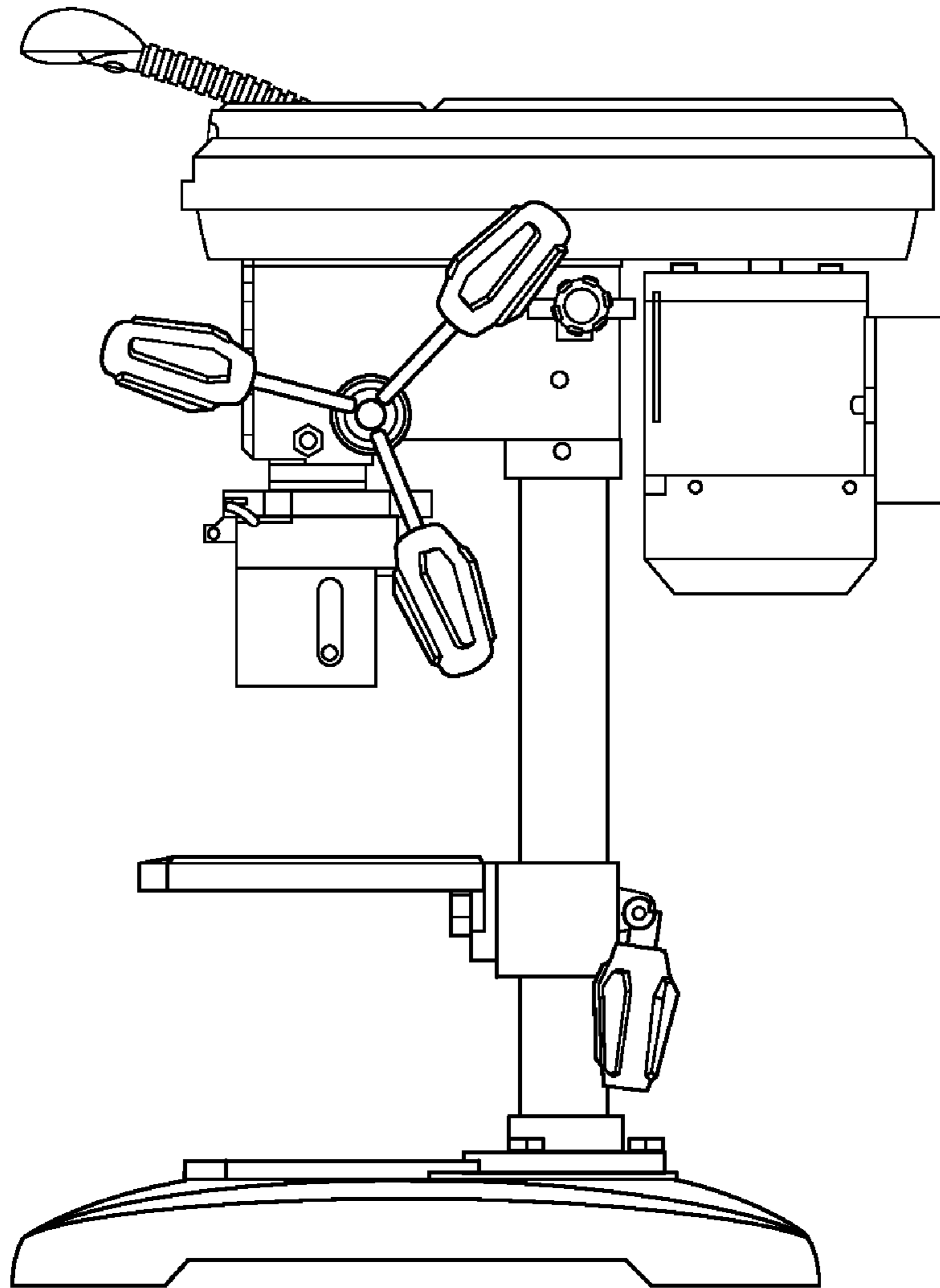


Fig. 5

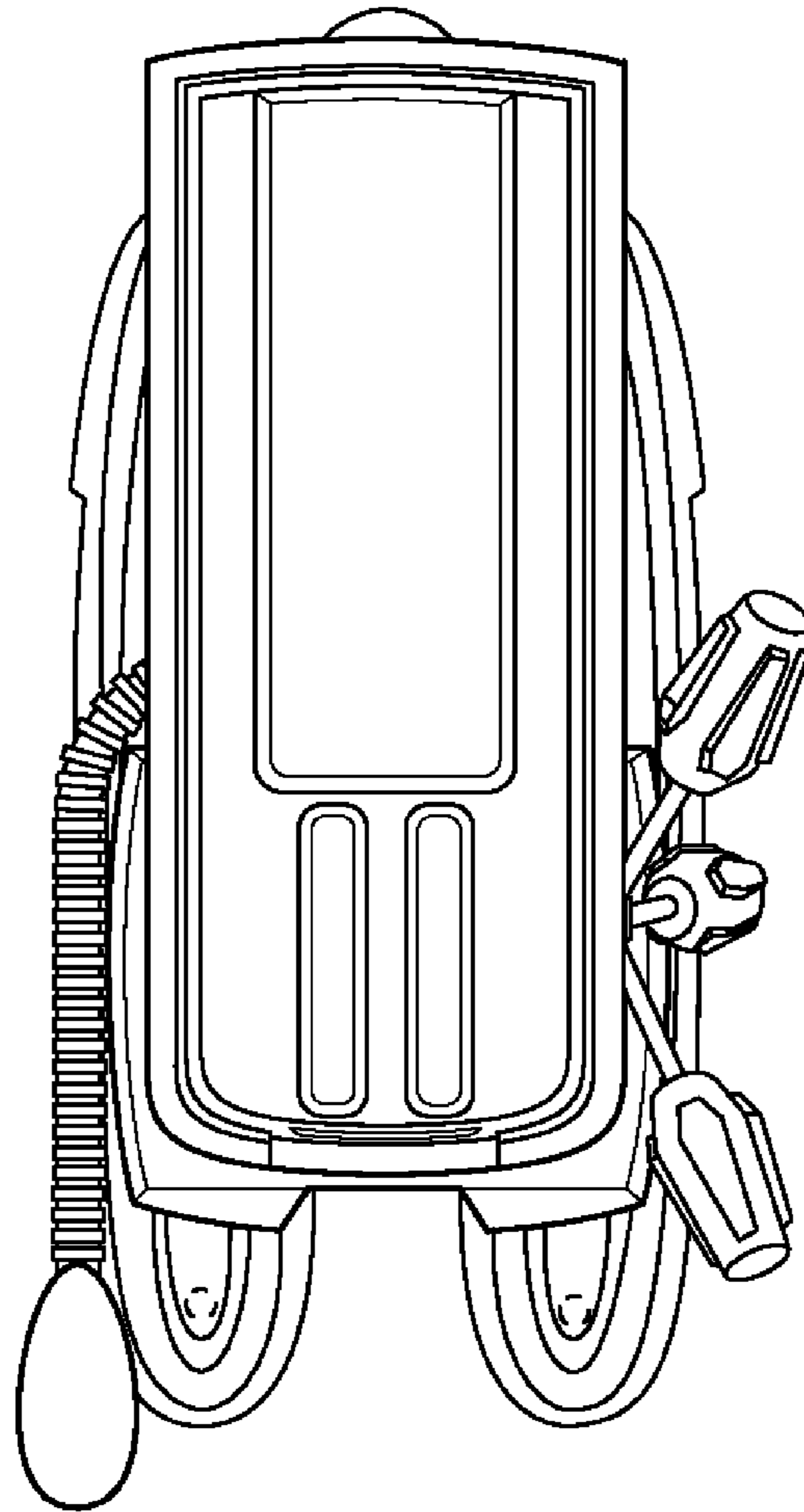


Fig. 6

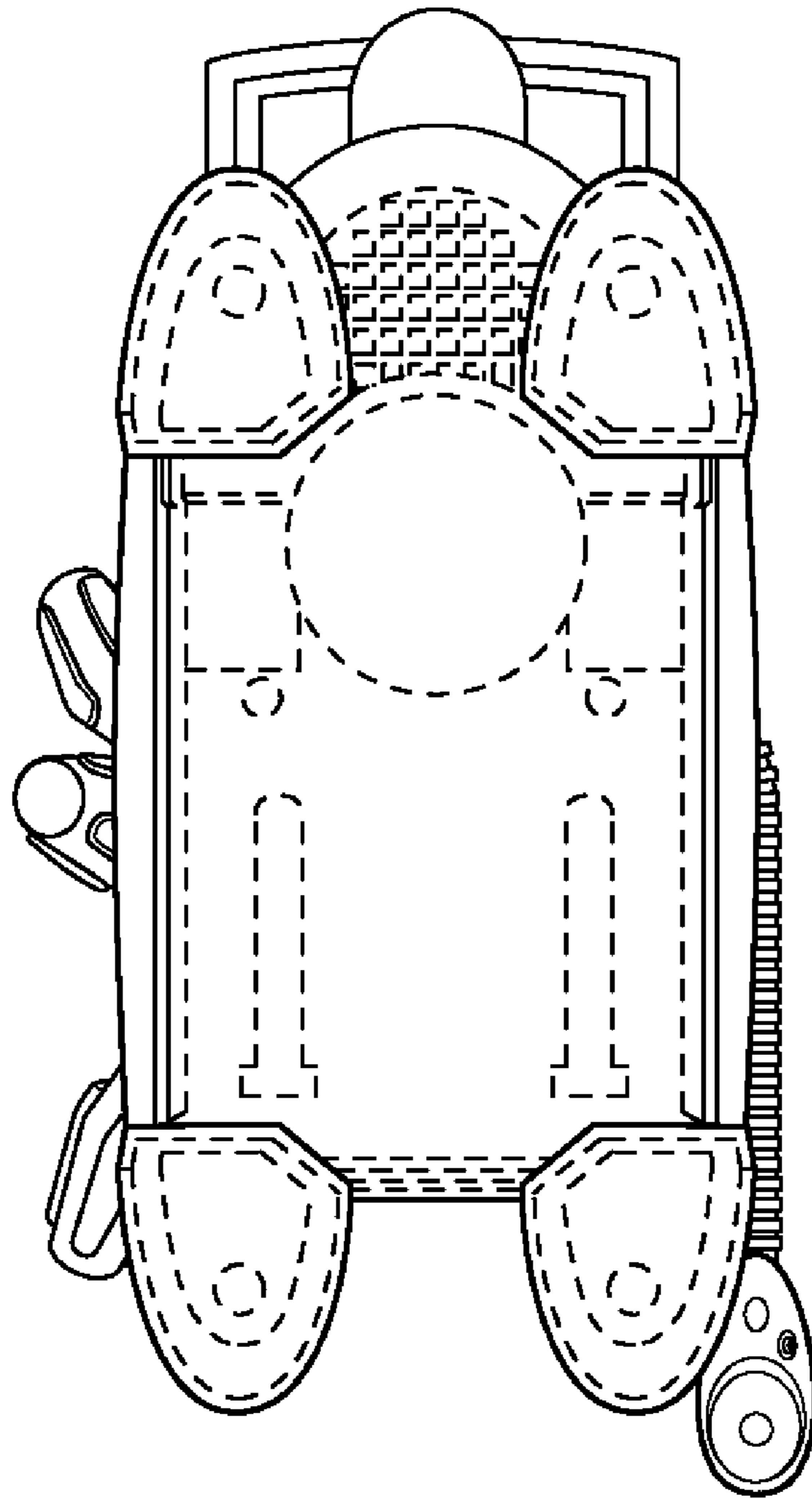


Fig. 7