



US00D626154S

(12) **United States Design Patent**  
**Jebb**

(10) **Patent No.:** **US D626,154 S**  
(45) **Date of Patent:** **\*\* Oct. 26, 2010**

(54) **BELT DISC SANDER**

(76) Inventor: **David Jebb**, Hill Farm, Sleep Hill Lane,  
Skelbrooke, Doncaster (GB) DN6 8LZ

(\*\*) Term: **14 Years**

(21) Appl. No.: **29/339,464**

(22) Filed: **Jun. 30, 2009**

(30) **Foreign Application Priority Data**

Mar. 20, 2009 (EM) ..... 001110829-0003

(51) **LOC (9) Cl.** ..... **15-09**

(52) **U.S. Cl.** ..... **D15/125**

(58) **Field of Classification Search** ..... D8/62;  
D15/124, 125, 126; 451/64, 65, 114, 124,  
451/158, 178, 231, 259, 296, 364, 391, 461  
See application file for complete search history.

(56) **References Cited**

**U.S. PATENT DOCUMENTS**

D275,014	S	*	8/1984	Haenel et al.	.....	D15/124
4,924,633	A	*	5/1990	Hock et al.	.....	451/303
5,168,656	A	*	12/1992	Jolly et al.	.....	451/310
D341,844	S	*	11/1993	Arehart	.....	D15/124
D355,201	S	*	2/1995	Brickner, Jr.	.....	D15/125
D421,445	S	*	3/2000	Huang	.....	D15/124
D443,283	S	*	6/2001	Lin Ku	.....	D15/124
D447,756	S	*	9/2001	Wang	.....	D15/124
D488,821	S	*	4/2004	Wang	.....	D15/125

\* cited by examiner

*Primary Examiner*—Sandra Snapp

*Assistant Examiner*—Patricia Palasik

(74) *Attorney, Agent, or Firm*—Sonnenschein Nath &  
Rosenthal LLP; Brian R. McGinley

(57) **CLAIM**

The ornamental design for a belt disc sander, as shown and described.

**DESCRIPTION**

FIG. 1 is a perspective of a belt disc sander embodying the new design;

FIG. 2 is a rear view of the belt disc sander illustrated in FIG. 1;

FIG. 3 is a front view of the belt disc sander illustrated in FIG. 1;

FIG. 4 is a left side view of the belt disc sander illustrated in FIG. 1;

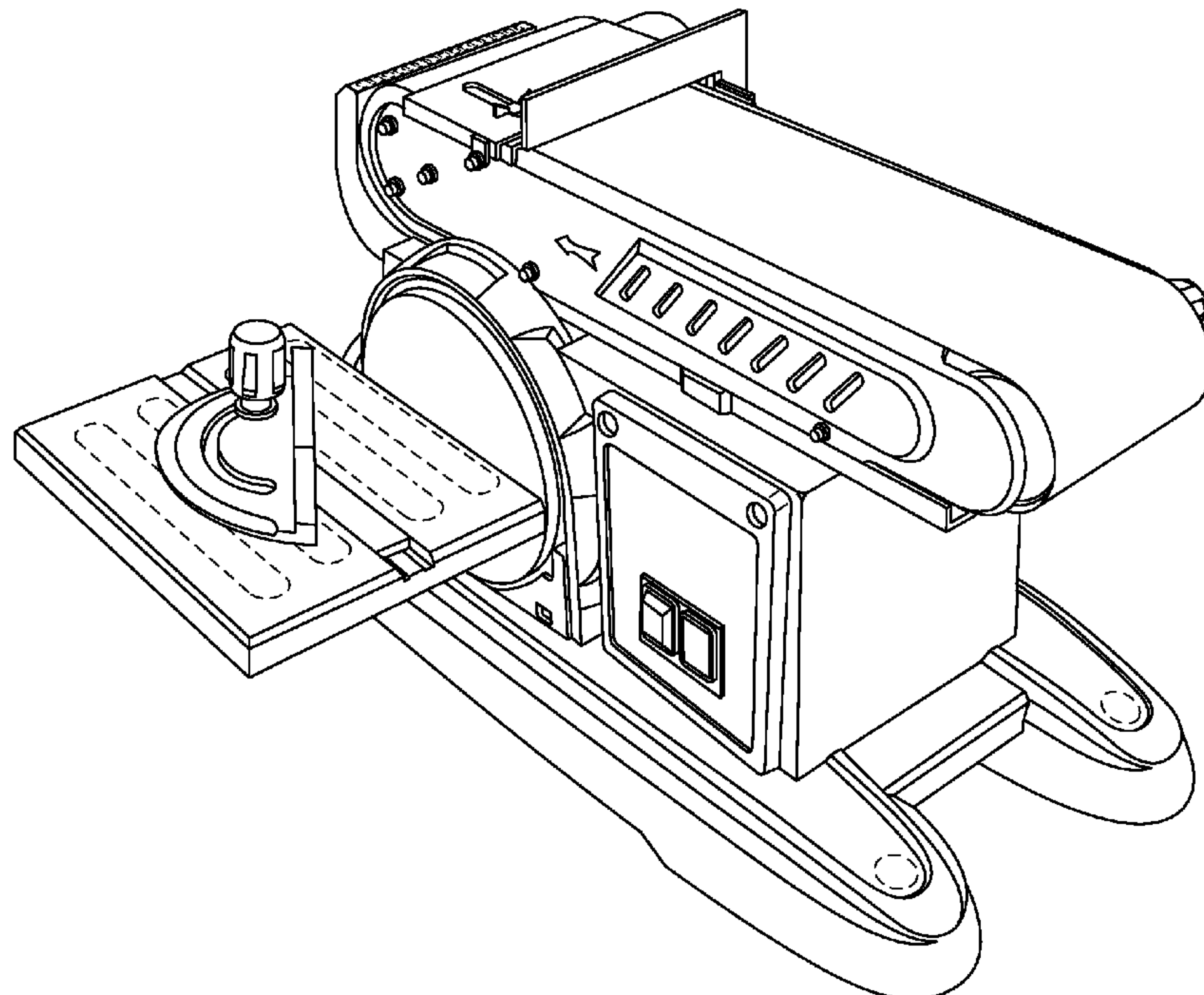
FIG. 5 is a right side view of the belt disc sander shown in FIG. 1;

FIG. 6 is a top view of the belt disc sander illustrated in FIG. 1; and,

FIG. 7 is a bottom view of the belt disc sander illustrated in FIG. 1.

The broken lines in the drawings depict unclaimed environmental subject matter.

**1 Claim, 7 Drawing Sheets**



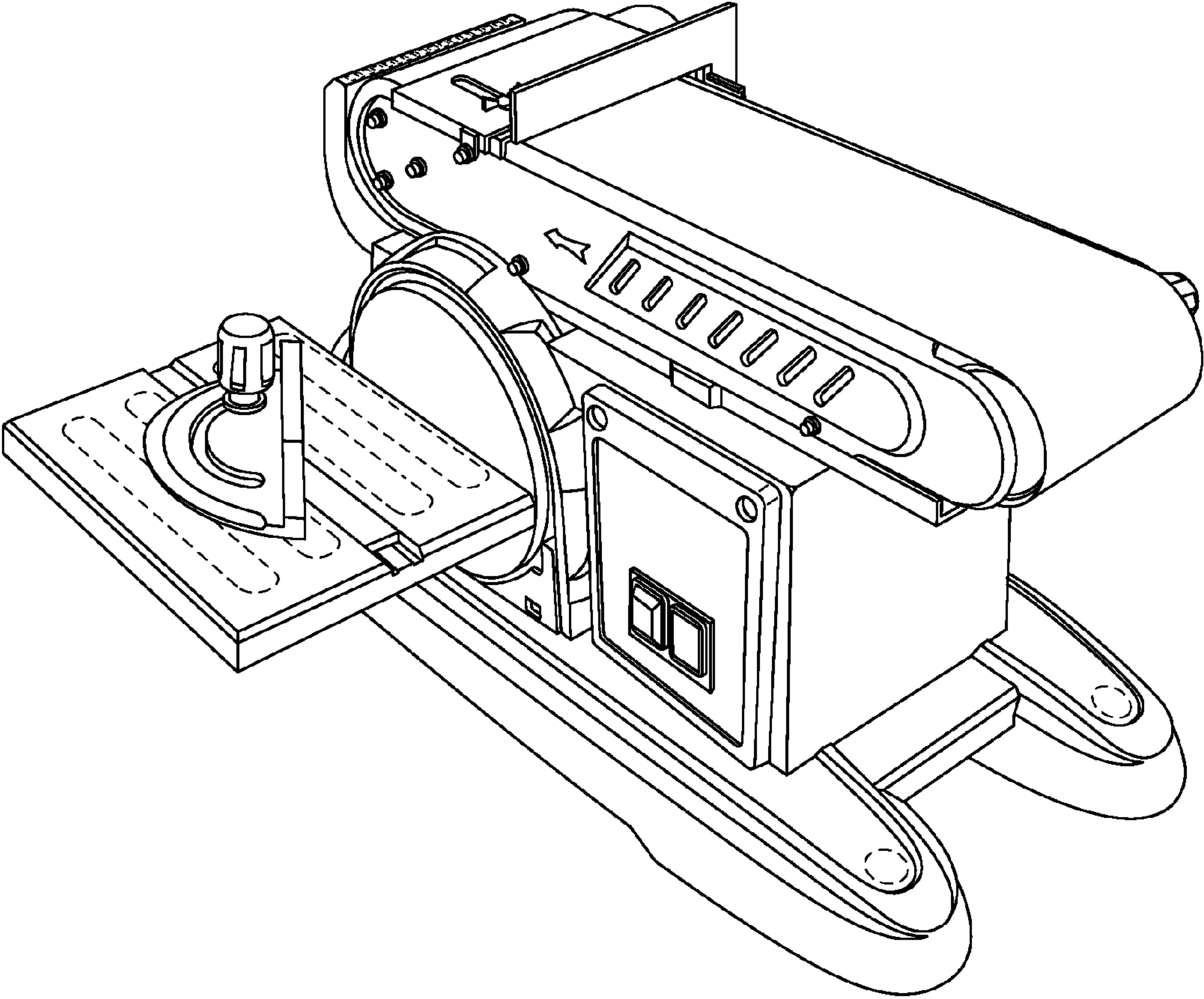


FIG. 1

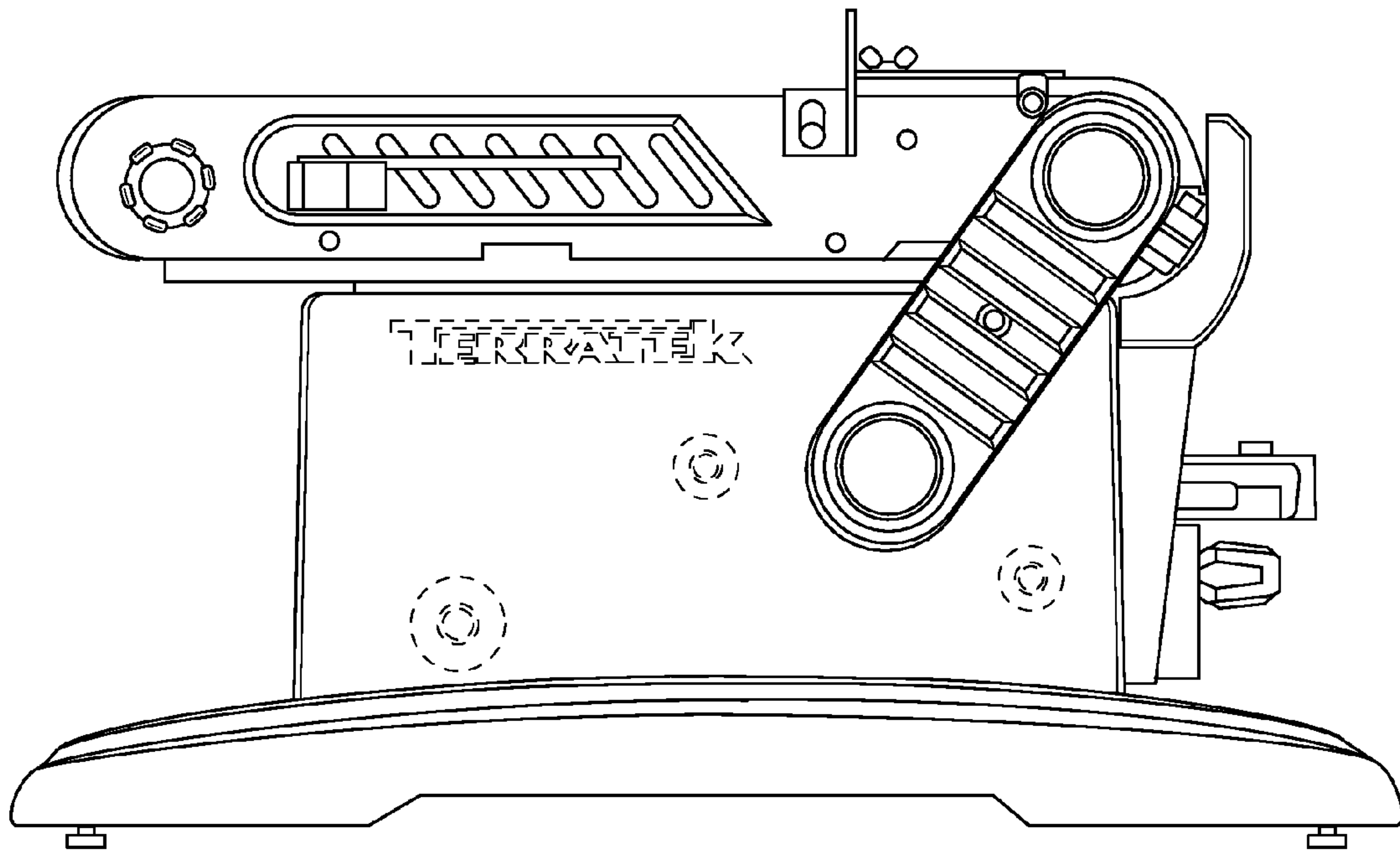


FIG. 2

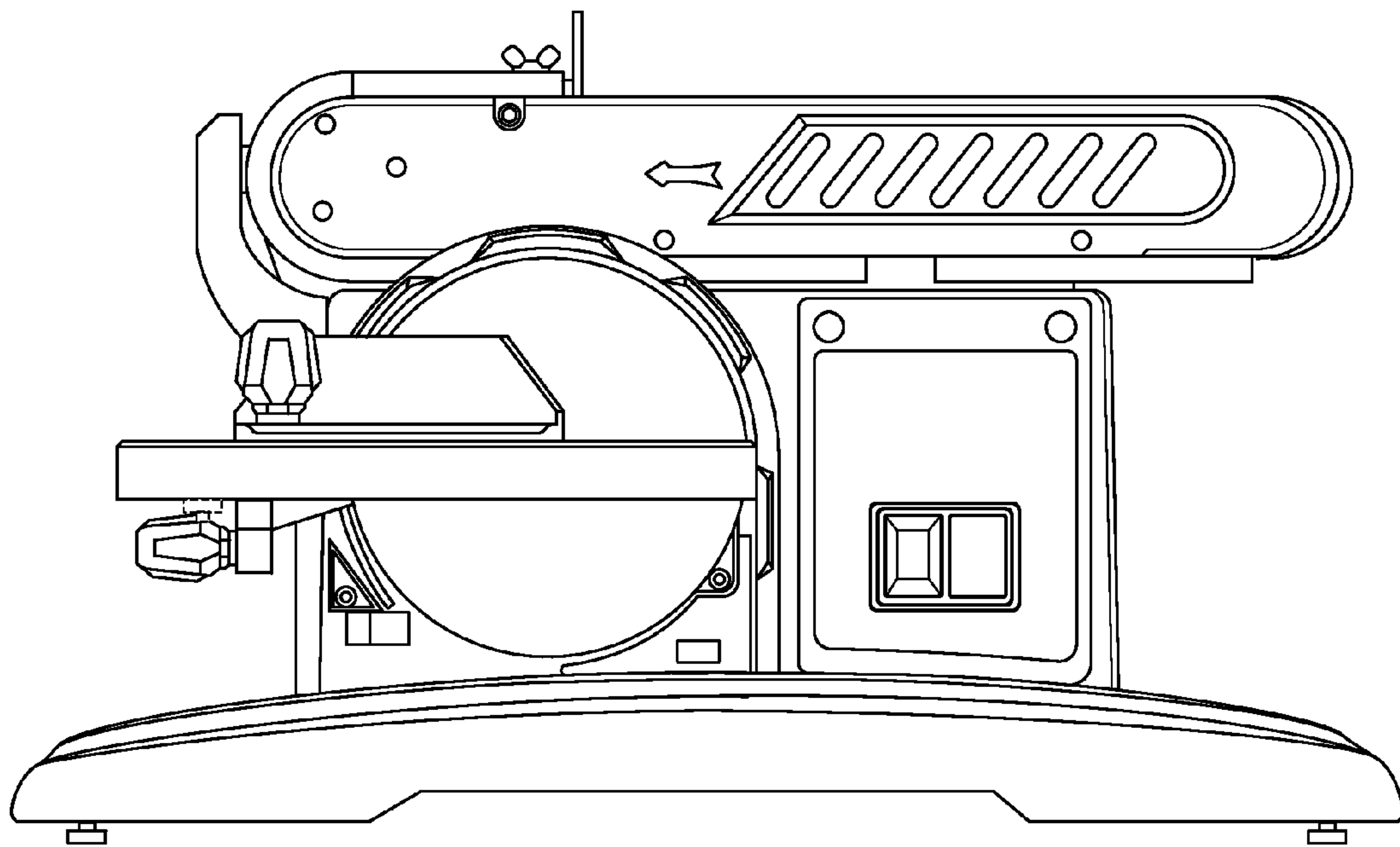


FIG. 3

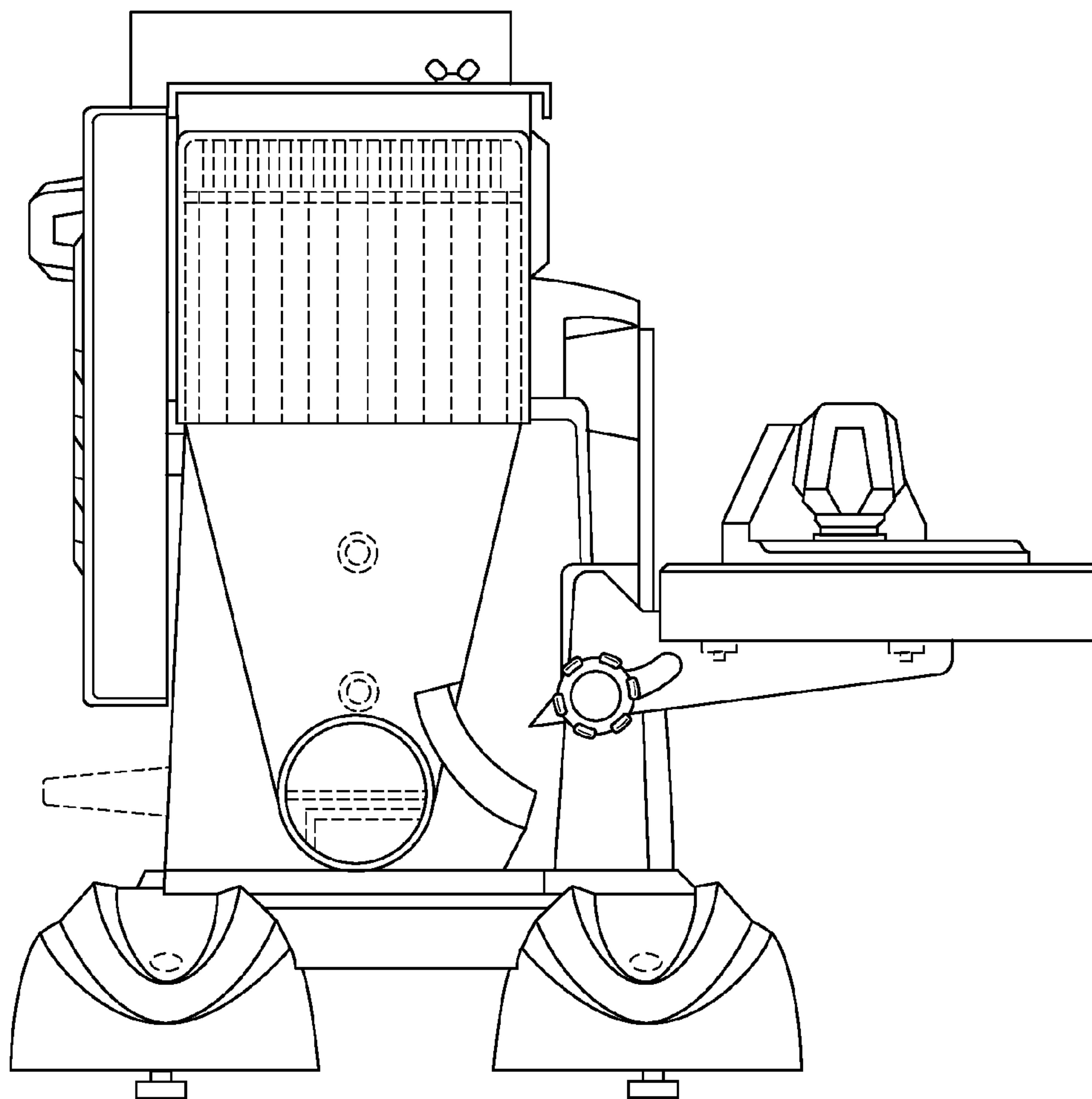


FIG. 4



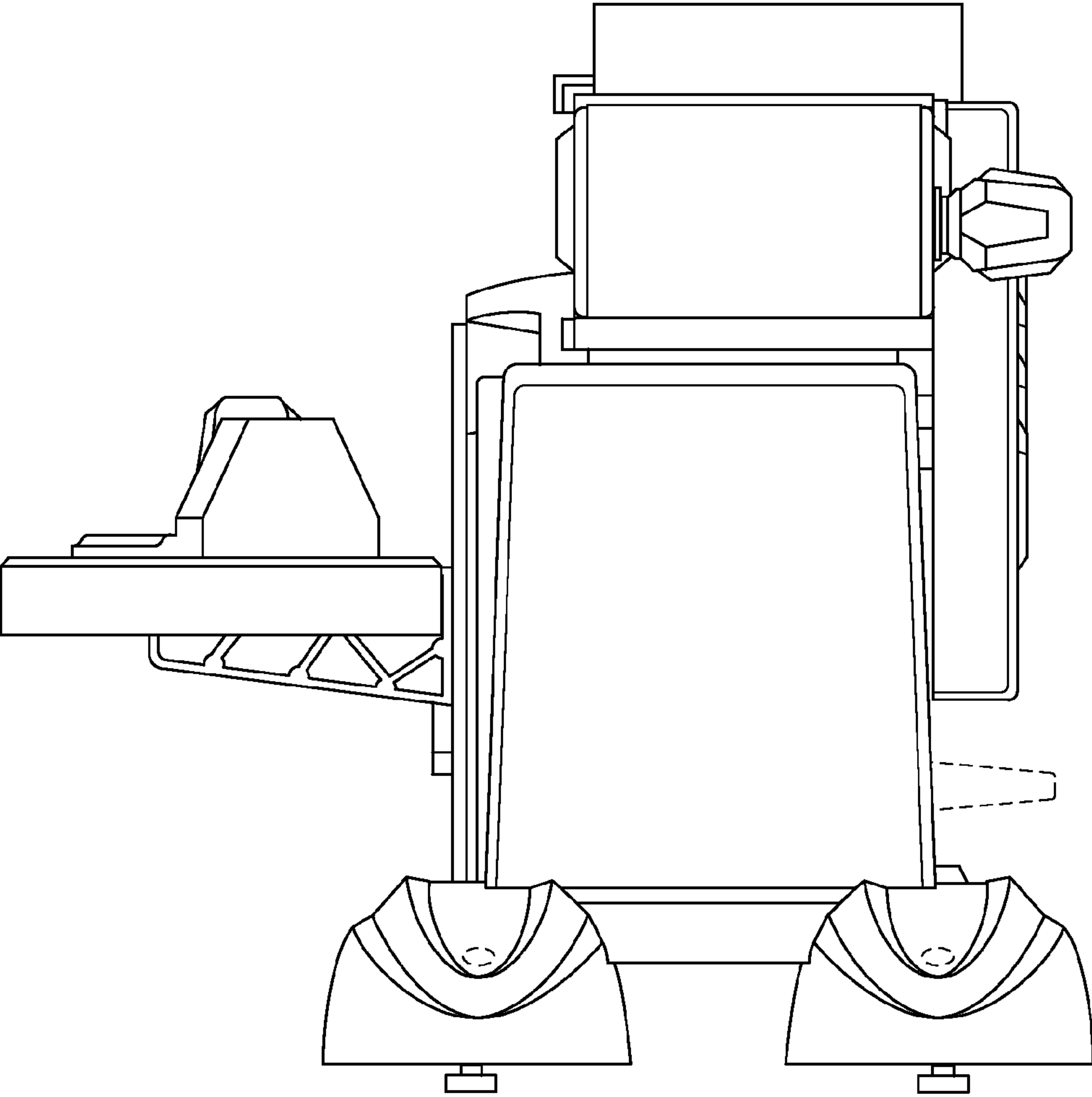


FIG. 5

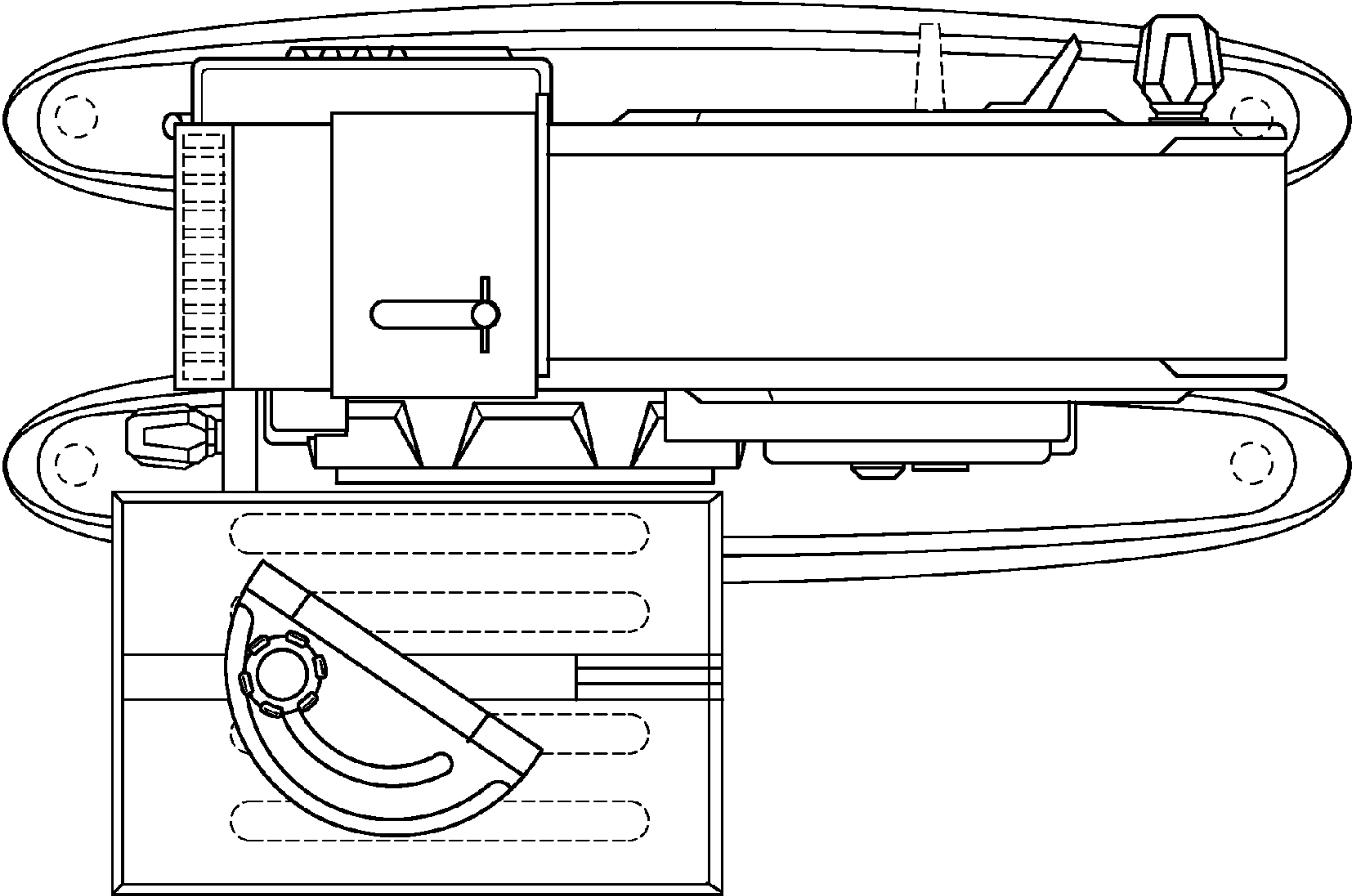


FIG. 6

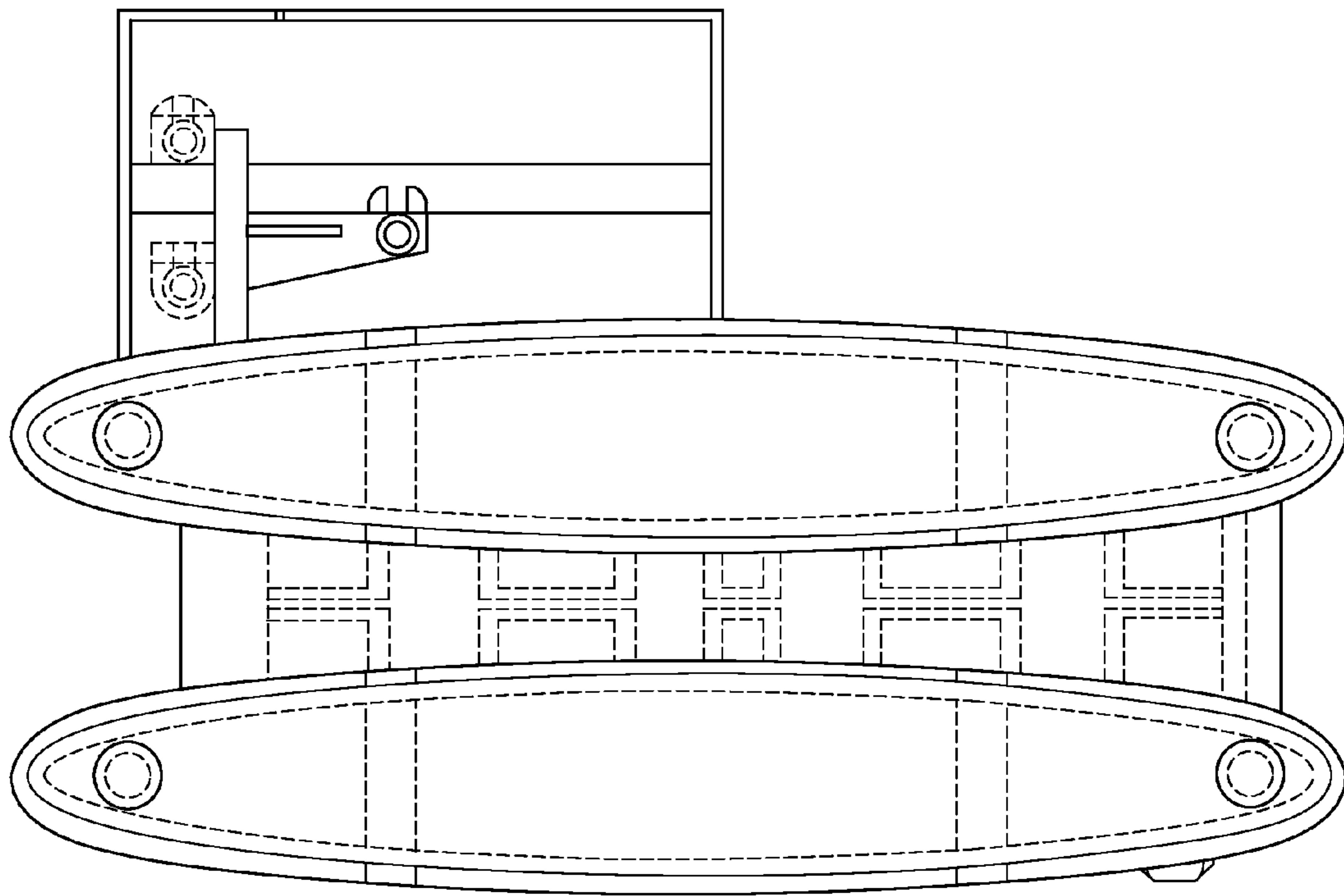


FIG. 7