



US00D626149S

(12) **United States Design Patent**  
**Roberts et al.**

(10) **Patent No.:** **US D626,149 S**  
(45) **Date of Patent:** **\*\* Oct. 26, 2010**

(54) **VACUUM PUMP**

(75) Inventors: **Matthew Roberts**, Brighton (GB);  
**Andrew Cobbett**, Portslade (GB)

(73) Assignee: **Edwards Limited**, Crawley, West  
Sussex (GB)

(\*\*) Term: **14 Years**

(21) Appl. No.: **29/345,827**

(22) Filed: **Oct. 22, 2009**

(30) **Foreign Application Priority Data**

Apr. 28, 1920 (EM) ..... 001129738-0001

(51) **LOC (9) Cl.** ..... **15-02**

(52) **U.S. Cl.** ..... **D15/7**

(58) **Field of Classification Search** ..... D15/7-9;  
D23/231, 232, 225; 417/410.1, 359, 415-416,  
417/234, 321, 265, 405

See application file for complete search history.

(56) **References Cited**

**U.S. PATENT DOCUMENTS**

3,213,797 A \* 10/1965 McMahan ..... 417/357  
D294,361 S \* 2/1988 Williams ..... D15/9

D315,912 S \* 4/1991 Nishida et al. .... D15/7  
D466,527 S \* 12/2002 Graber et al. .... D15/9  
D604,330 S \* 11/2009 Duong et al. .... D15/7

\* cited by examiner

*Primary Examiner*—Ralf Seifert

(57) **CLAIM**

The ornamental design for a vacuum pump, as shown and described.

**DESCRIPTION**

FIG. 1 is a perspective view of a vacuum pump showing our new design;

FIG. 2 is another perspective view;

FIG. 3 is a bottom view;

FIG. 4 is a rear side view;

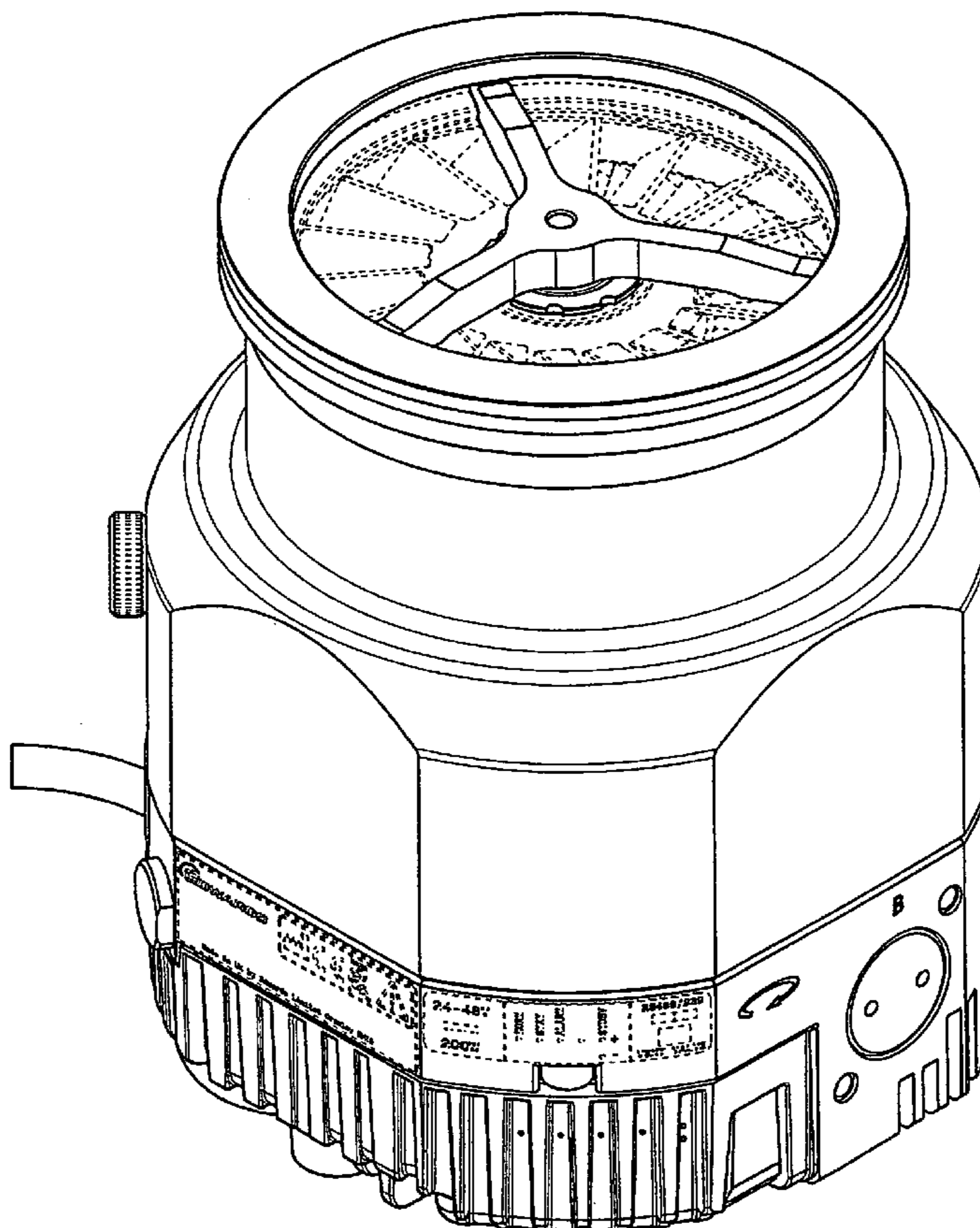
FIG. 5 is a right side view;

FIG. 6 is a front view; and,

FIG. 7 is a left side view.

The broken line showing of elements shown throughout the drawings is included for the purpose of illustrating environmental matter and forms no part of the claimed design.

**1 Claim, 6 Drawing Sheets**



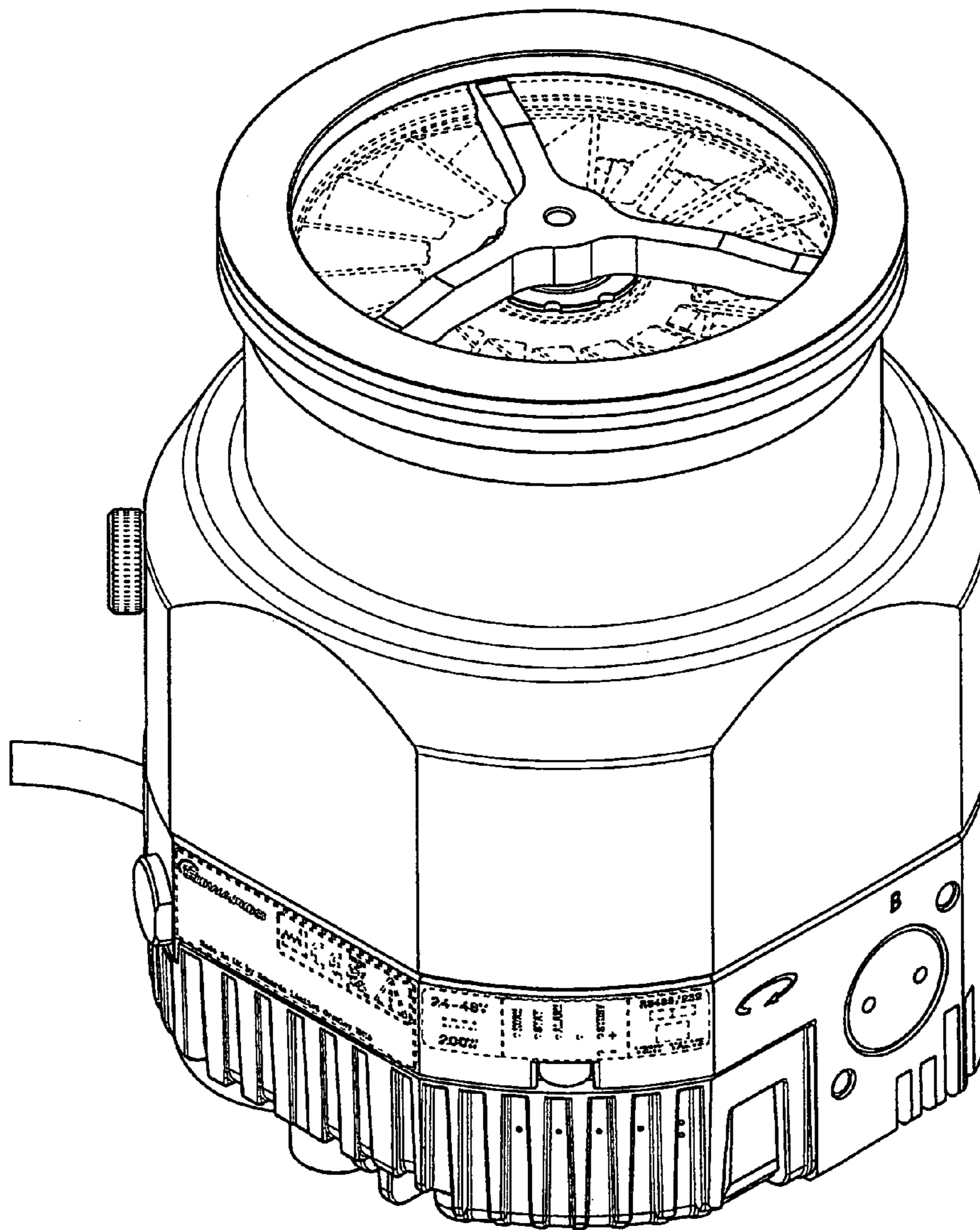


Figure 1

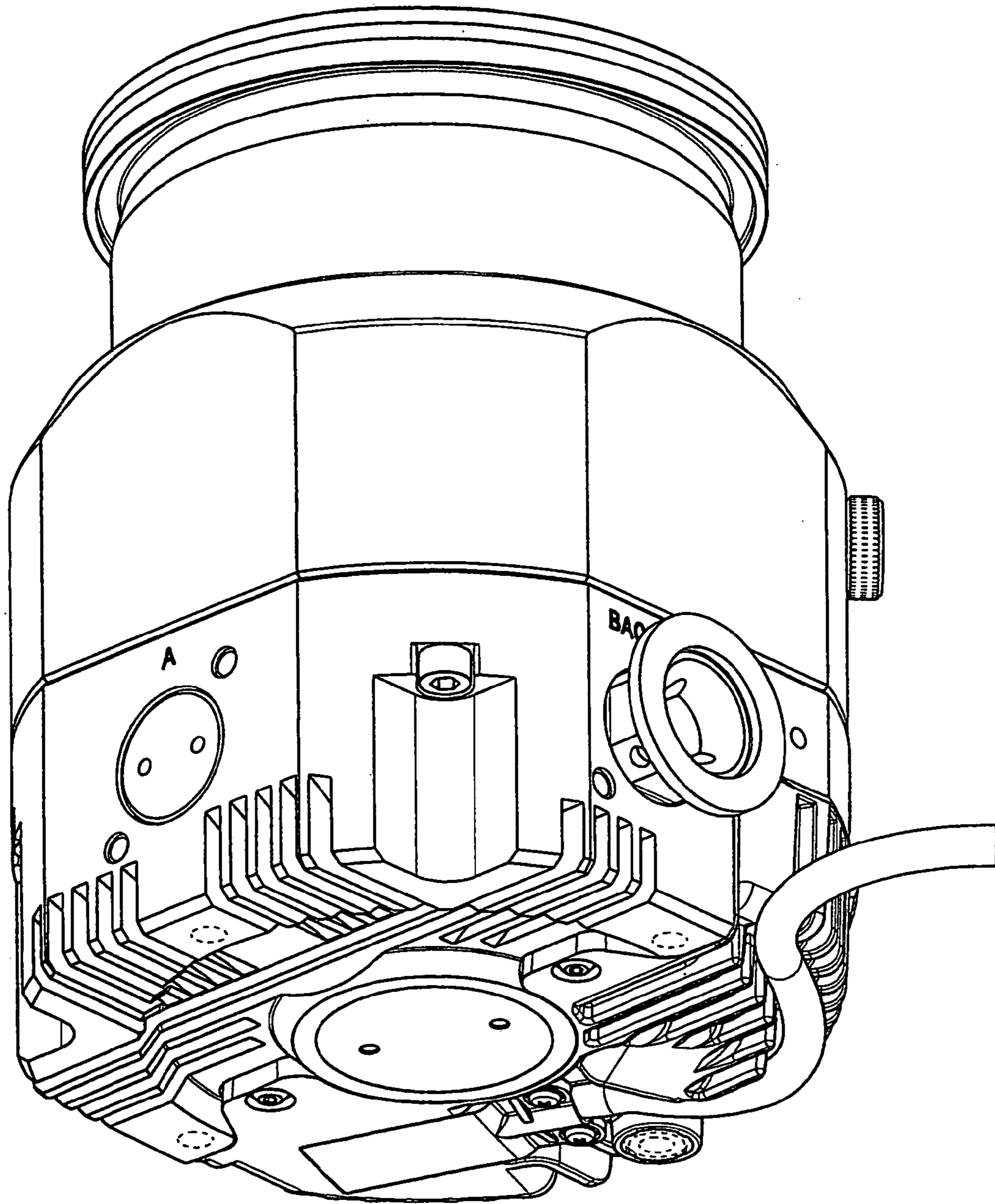


Figure 2



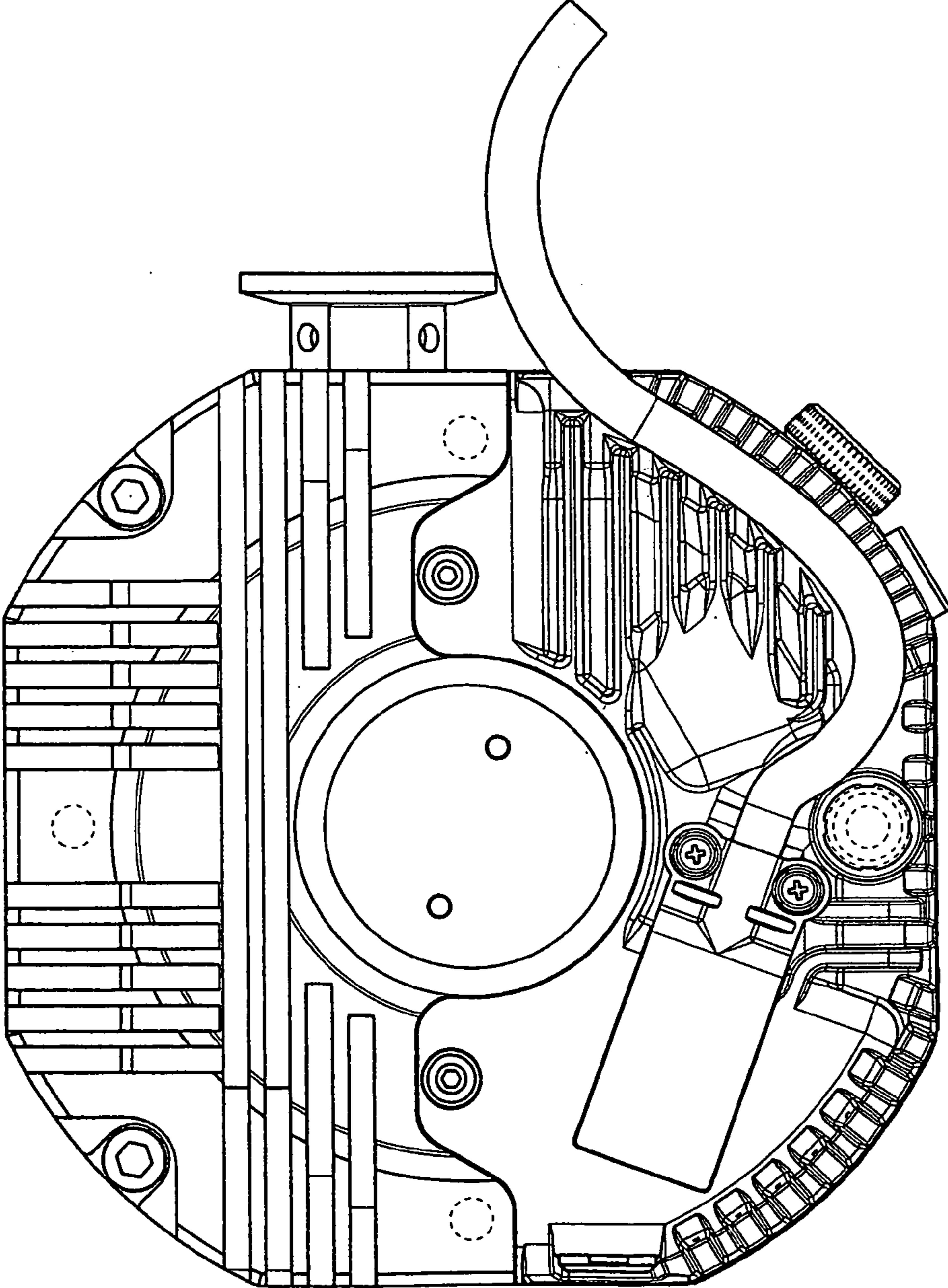


Figure 3

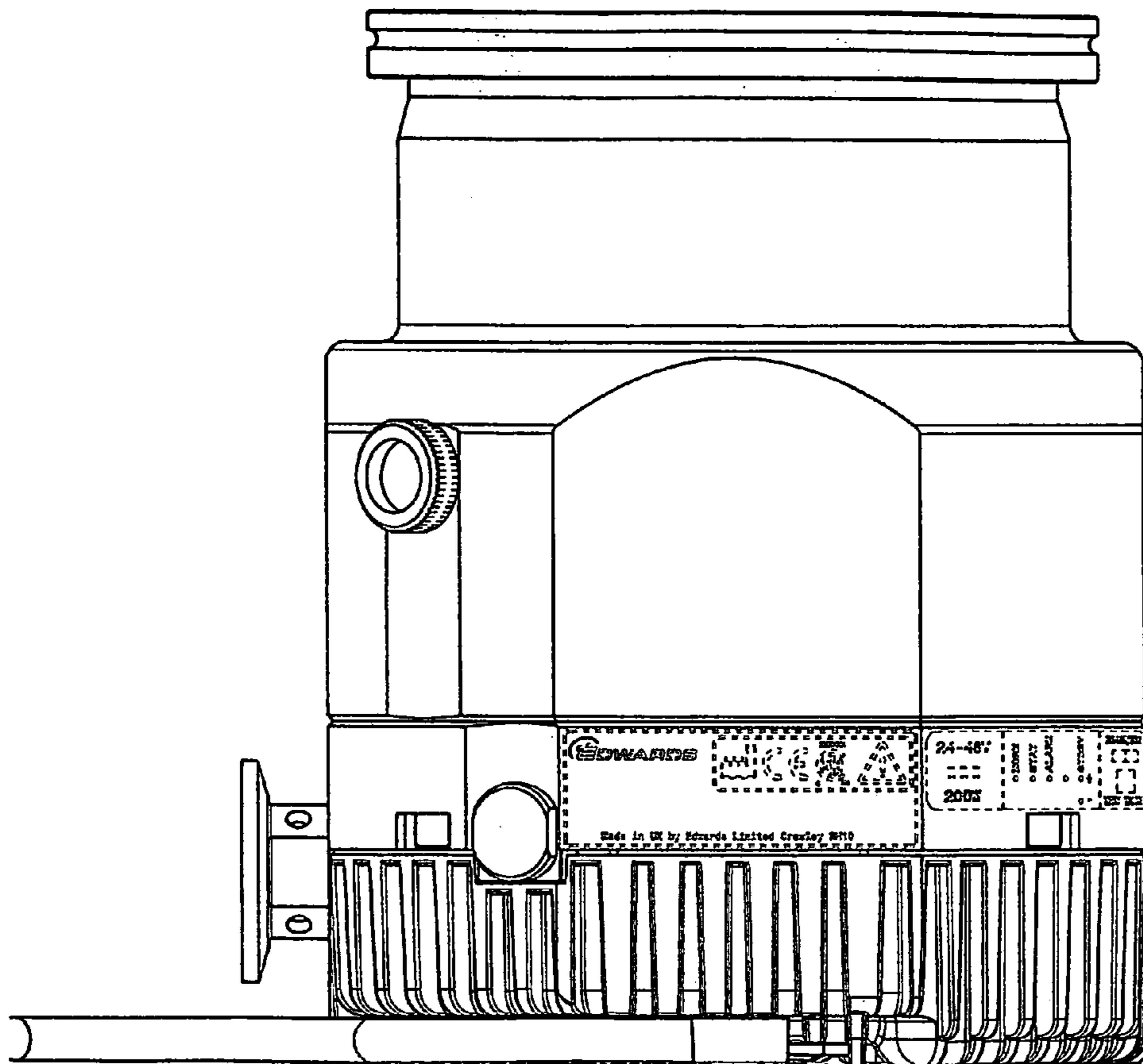


Figure 5

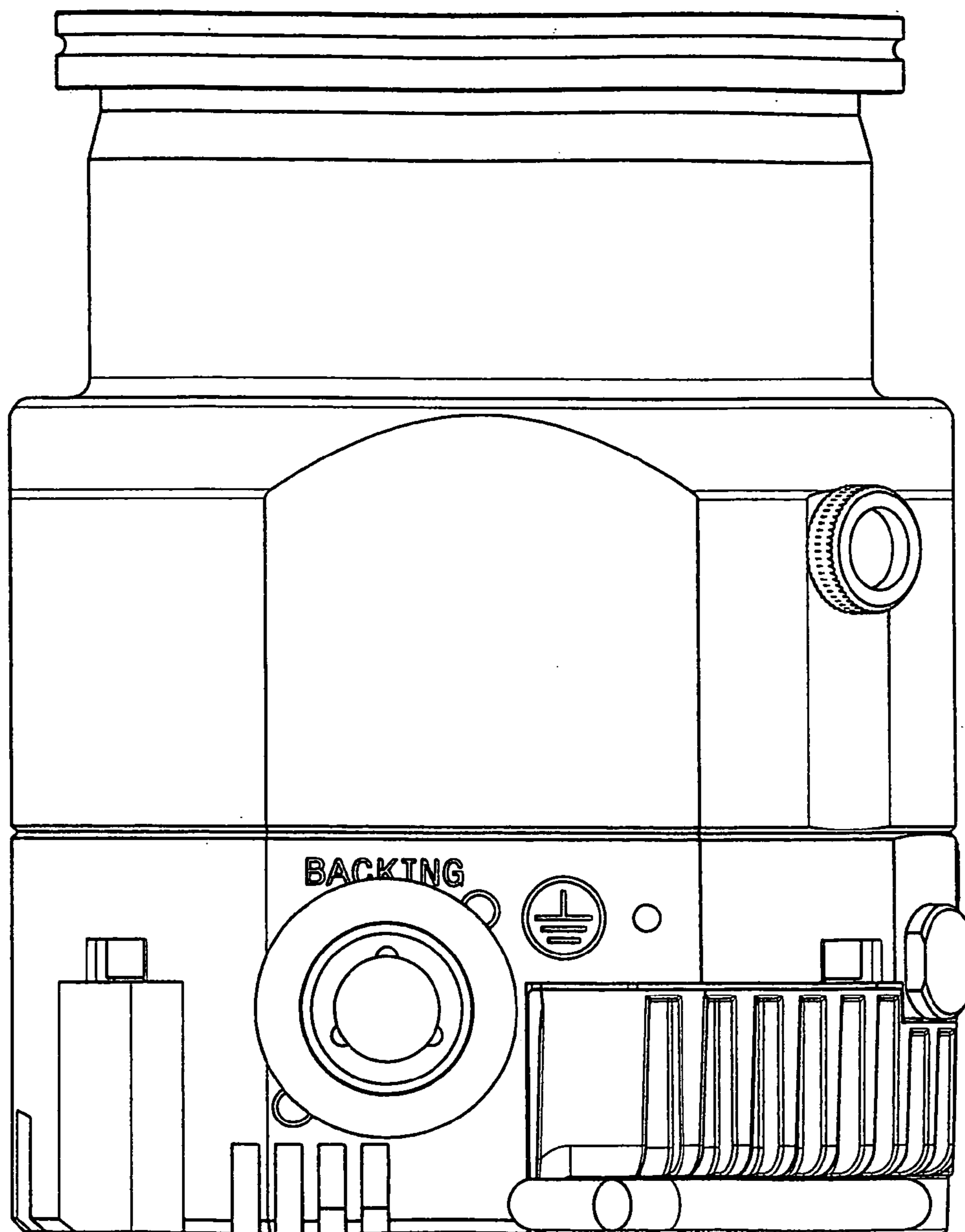


Figure 6

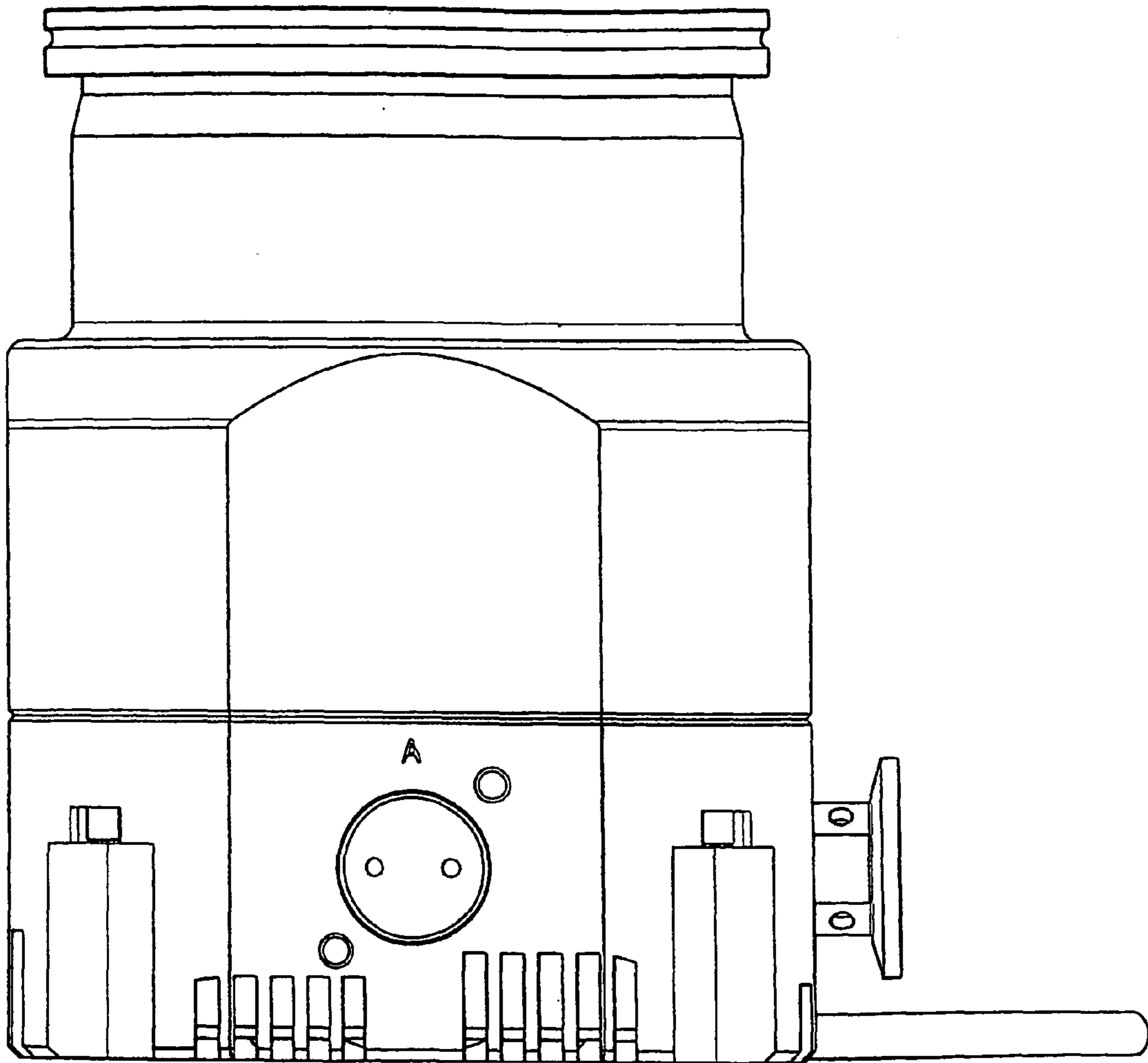


Figure 7