

US00D626148S

(12) **United States Design Patent**
Huang et al.

(10) **Patent No.:** **US D626,148 S**

(45) **Date of Patent:** **** Oct. 26, 2010**

(54) **CLUTCH DEVICE**

D603,434 S * 11/2009 Yang et al. D15/140

(75) Inventors: **Cheng-Qiang Huang**, Guang-Dong (CN); **Bing-Tao Yang**, Guang-Dong (CN); **Ying-Lung Wu**, Tu-Cheng (CN); **Ming-Chiang Chen**, Tu-Cheng (CN)

* cited by examiner

Primary Examiner—T. Chase Nelson
Assistant Examiner—Ania K Dworzecka
(74) *Attorney, Agent, or Firm*—Cheng-Ju Chiang

(73) Assignee: **Cheng Uei Precision Industry Co., Ltd.**, Tu-Cheng, Taipei Hsien (TW)

(**) Term: **14 Years**

(57) **CLAIM**

(21) Appl. No.: **29/346,319**

The ornamental design for a clutch device, as shown and described.

(22) Filed: **Oct. 30, 2009**

DESCRIPTION

(51) **LOC (9) Cl.** **15-01**

(52) **U.S. Cl.** **D15/5**

(58) **Field of Classification Search** D15/1, D15/2, 3, 5, 6, 14, 17, 149, 140; 123/22, 123/41.34, 51 A, 606 R, 52.1, 50 A, 50 B, 123/54.1, 54.2, 54.4, 54.5, 65 R, 195 R, 195 HC, 123/657, 311, 41.67, 198 E, 572–574; D8/71; 29/278

See application file for complete search history.

FIG. 1 is a perspective view of a clutch device showing our new design;

FIG. 2 is a front elevational view thereof;

FIG. 3 is a rear elevational view thereof;

FIG. 4 is a left side elevational view thereof;

FIG. 5 is a right side elevational view thereof;

FIG. 6 is a top plan view thereof; and,

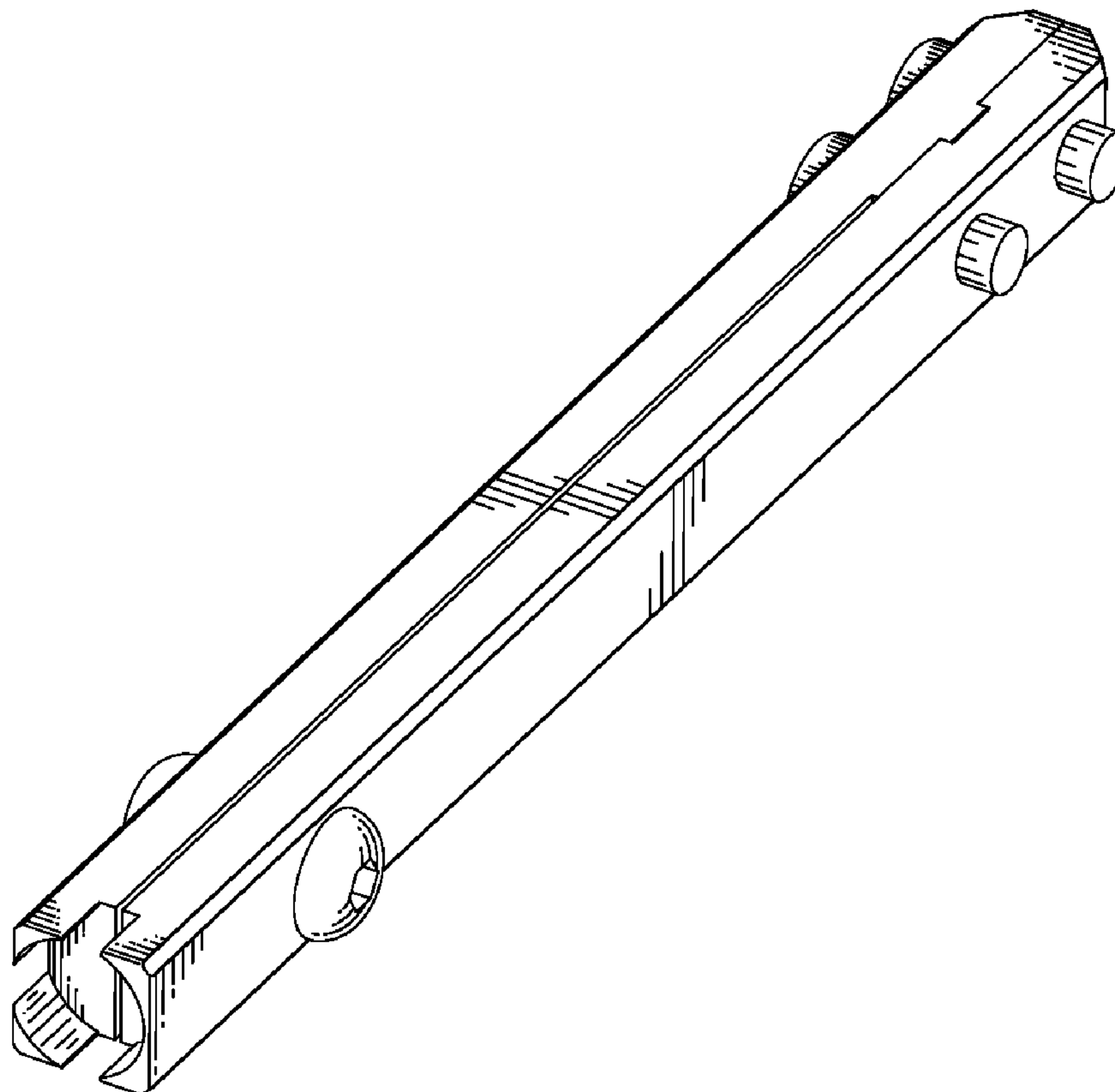
FIG. 7 is a bottom plan view thereof.

(56) **References Cited**

U.S. PATENT DOCUMENTS

D530,177 S * 10/2006 Alverson, Jr. D8/71

1 Claim, 7 Drawing Sheets



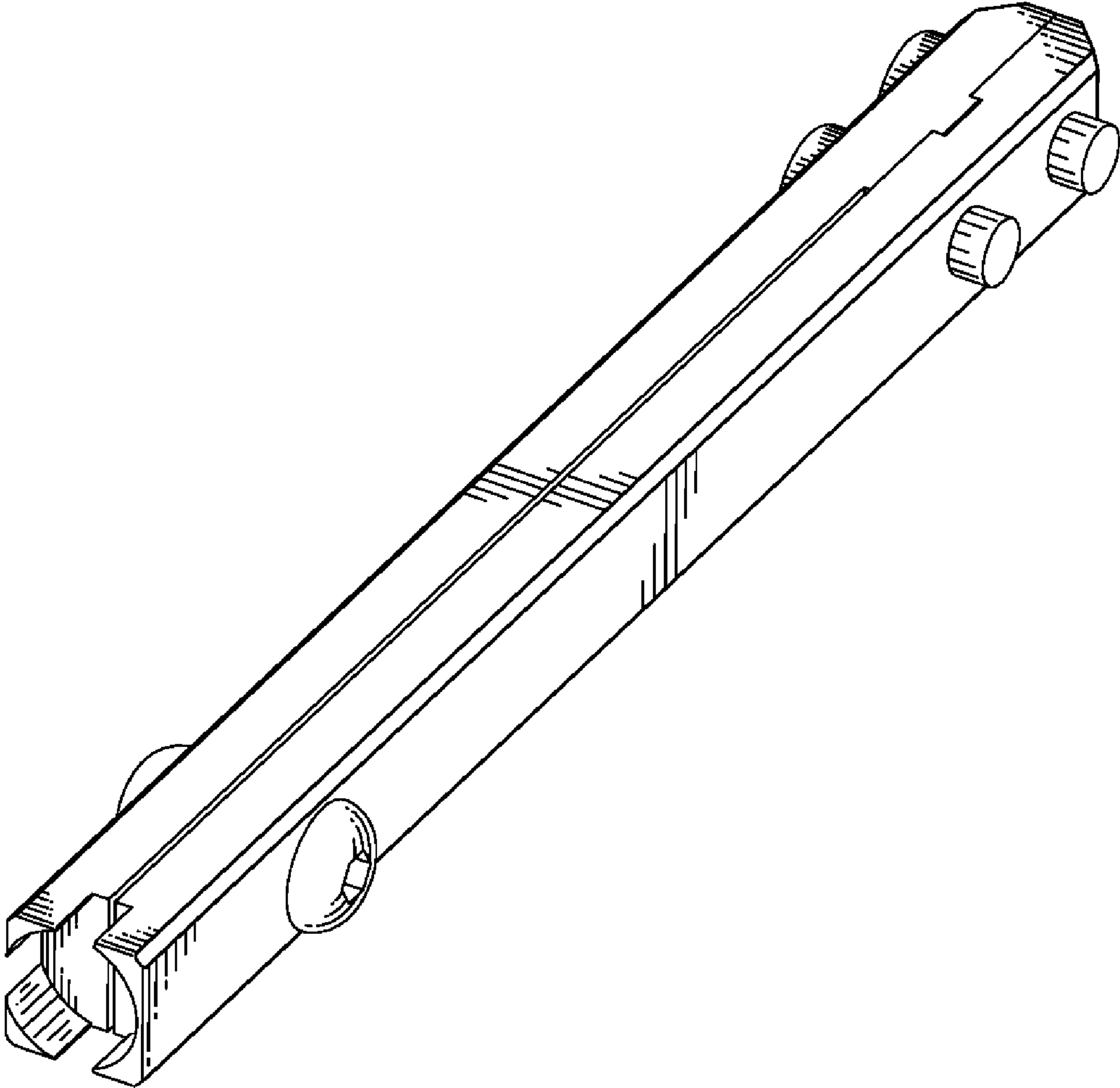


FIG. 1

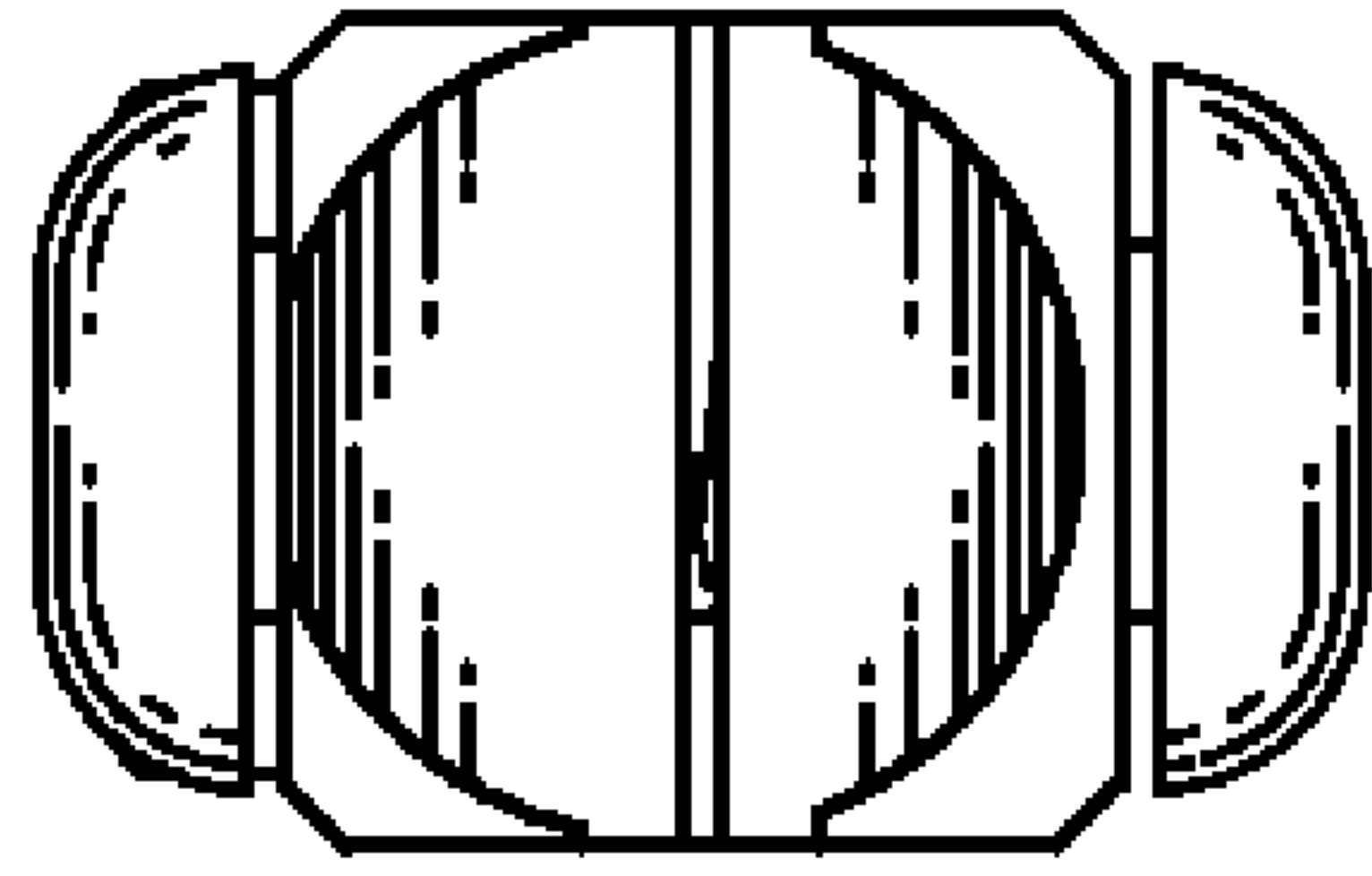


FIG. 2

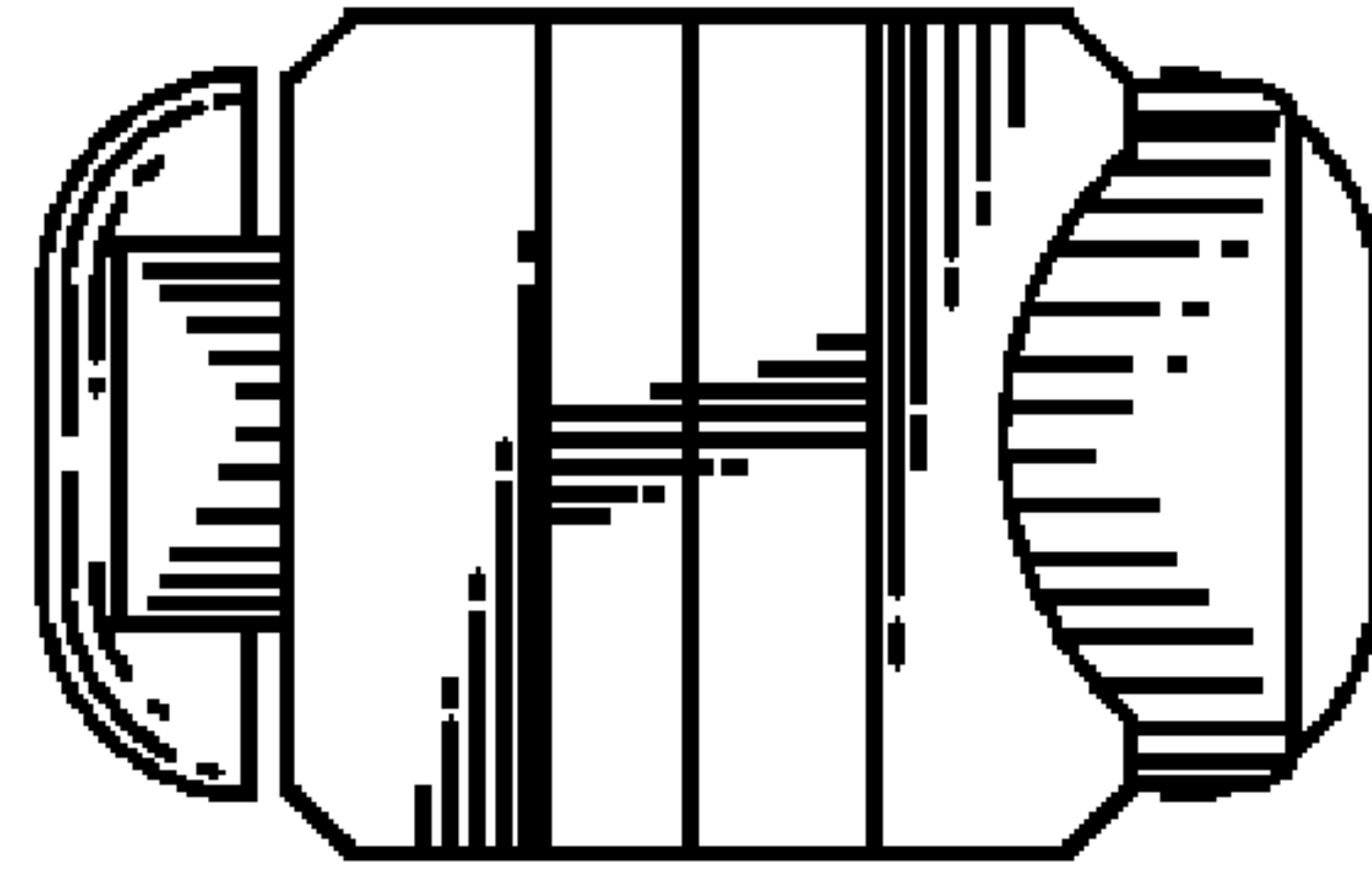


FIG. 3

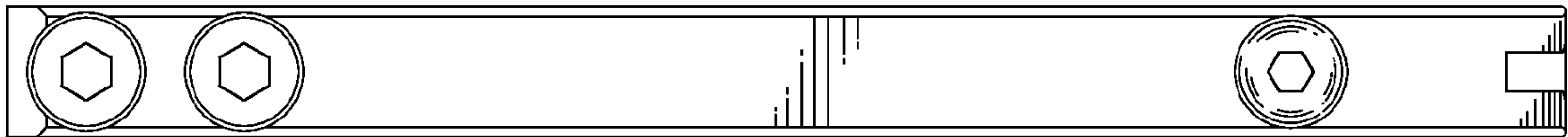


FIG. 4

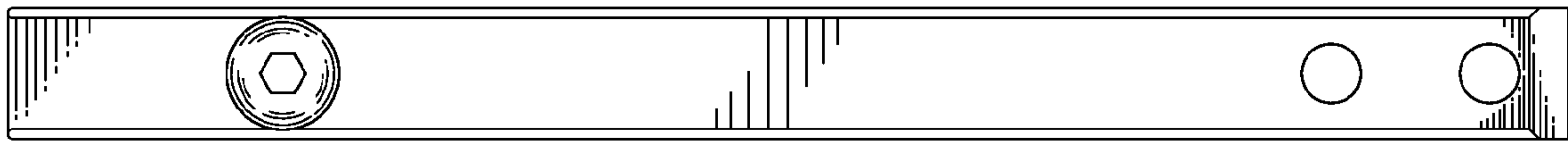


FIG. 5

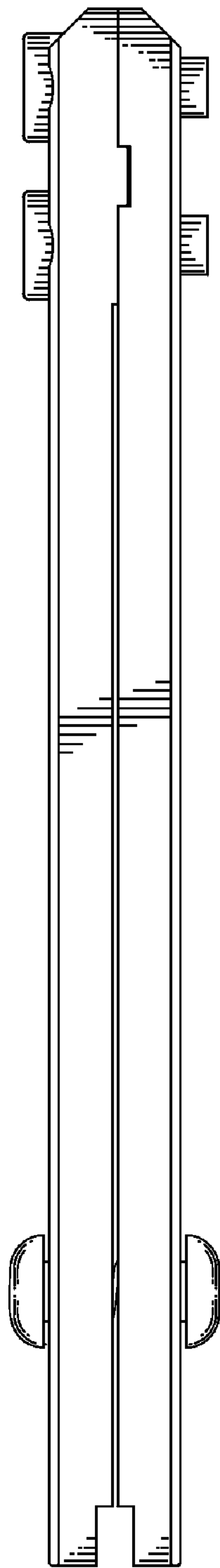


FIG. 6

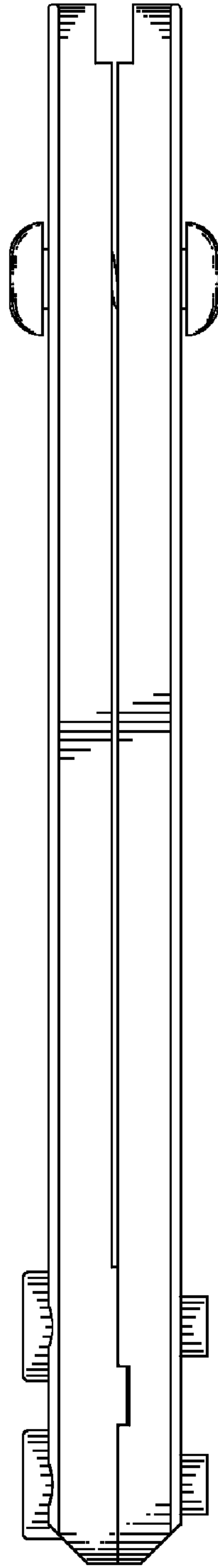


FIG. 7