



US00D626129S

(12) **United States Design Patent**
Lutz

(10) **Patent No.:** **US D626,129 S**
(45) **Date of Patent:** **** Oct. 26, 2010**

(54) **PORTABLE EBOOK AND ELECTRONIC
DEVICE CARRIER**

D619,355 S * 7/2010 Pedersen et al. D3/218
D620,942 S * 8/2010 Huang D14/447
D621,839 S * 8/2010 Sweet D14/434

(76) Inventor: **Frank G. Lutz**, 12025 W. Mill Rd.,
Milwaukee, WI (US) 53225

* cited by examiner

(**) Term: **14 Years**

Primary Examiner—Angela J Lee

(74) *Attorney, Agent, or Firm*—Sinorica, LLC

(21) Appl. No.: **29/361,547**

(57) **CLAIM**

(22) Filed: **May 12, 2010**

The ornamental design for a portable eBook and electronic device carrier, as shown and described.

(51) **LOC (9) Cl.** **08-07**

(52) **U.S. Cl.** **D14/447**

(58) **Field of Classification Search** D14/447,
D14/451, 432, 439, 217, 251, 253, 250; D13/107,
D13/108; D3/218, 269; 379/454, 455; 361/679.03;
248/917, 918, 919, 920, 921, 922, 923, 924
See application file for complete search history.

DESCRIPTION

FIG. 1 is a perspective view of a portable eBook and electronic device carrier;

FIG. 2 is a perspective view thereof showing the addition of an eBook shown in broken lines;

FIG. 3 is a front elevational view thereof;

FIG. 4 is a rear elevational view thereof;

FIG. 5 is a bottom plan view thereof;

FIG. 6 is a top plan view thereof;

FIG. 7 is a right-side elevational view thereof; and,

FIG. 8 is a left-side elevational view thereof.

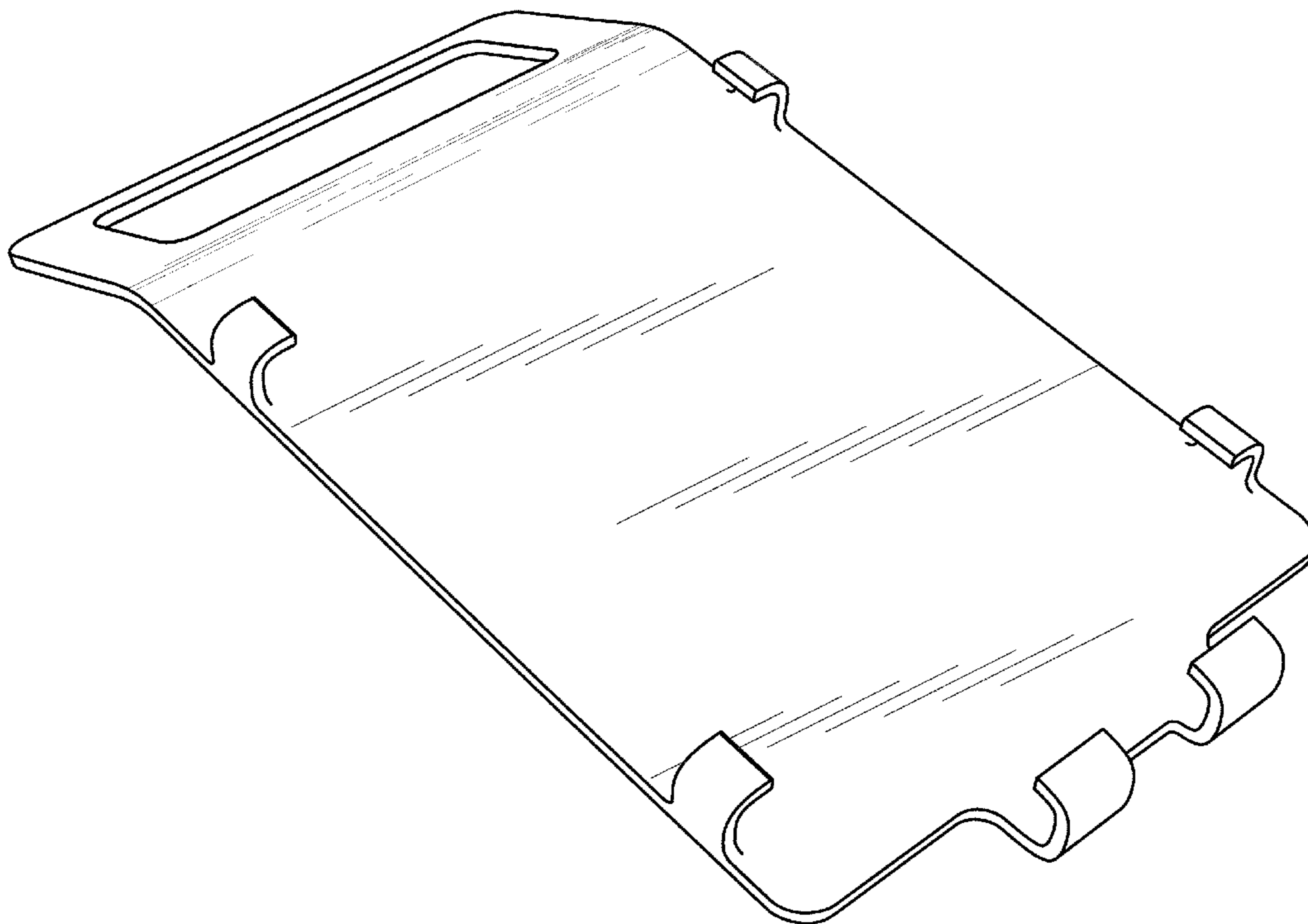
The broken line showing of an eBook is included for the purpose of illustrating environmental structure and forms no part of the claimed design.

(56) **References Cited**

U.S. PATENT DOCUMENTS

D347,857 S *	6/1994	Coe	D19/65
D357,577 S *	4/1995	Scheid	D3/218
D376,805 S *	12/1996	Johansson	D14/253
D437,600 S *	2/2001	Calfee	D14/447
D521,232 S *	5/2006	Andre et al.	D3/218
D553,352 S *	10/2007	Allen et al.	D3/218
D558,192 S *	12/2007	Daly et al.	D14/251
D571,815 S *	6/2008	Chung	D14/447
D579,455 S *	10/2008	Chu	D14/447
D590,404 S *	4/2009	Kim et al.	D14/447

1 Claim, 6 Drawing Sheets



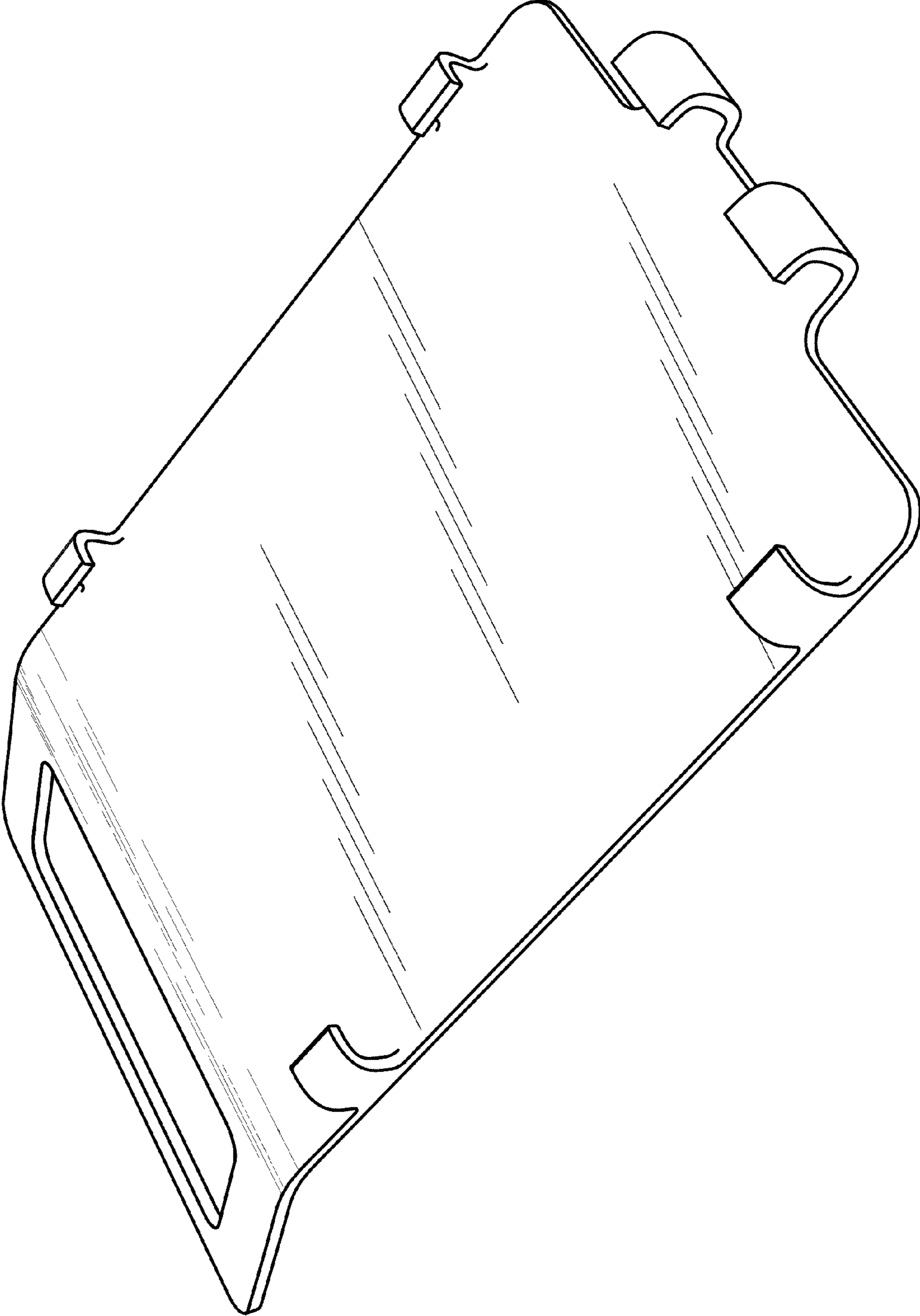


FIG. 1

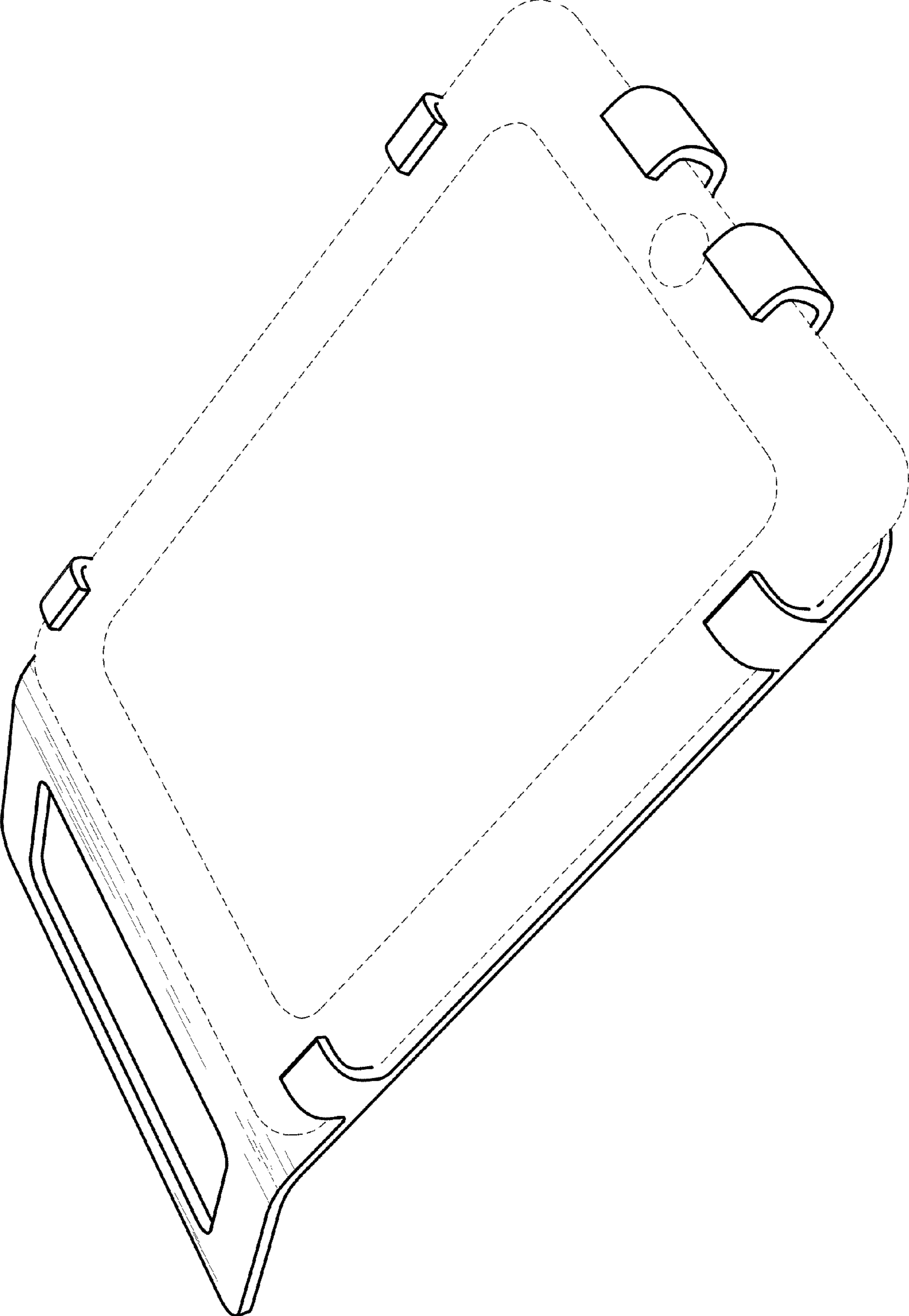


FIG. 2

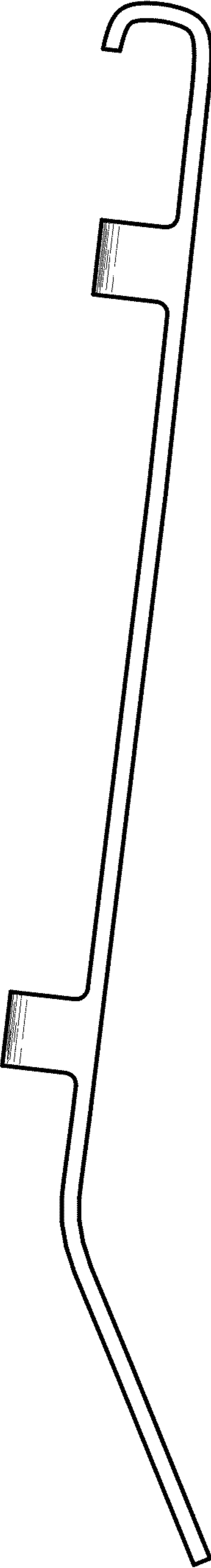


FIG. 3

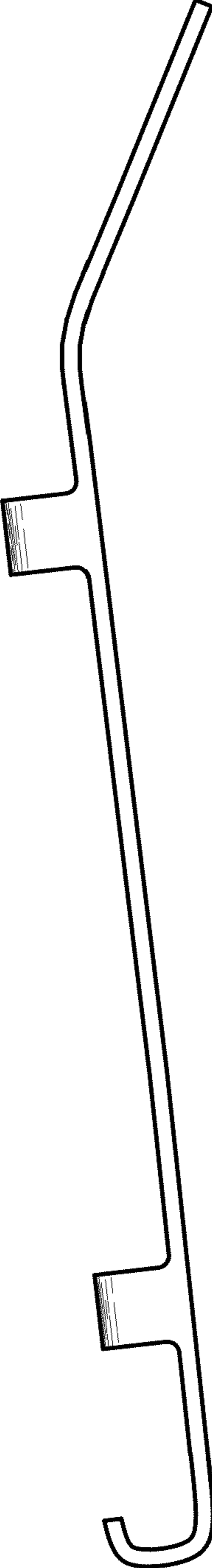


FIG. 4

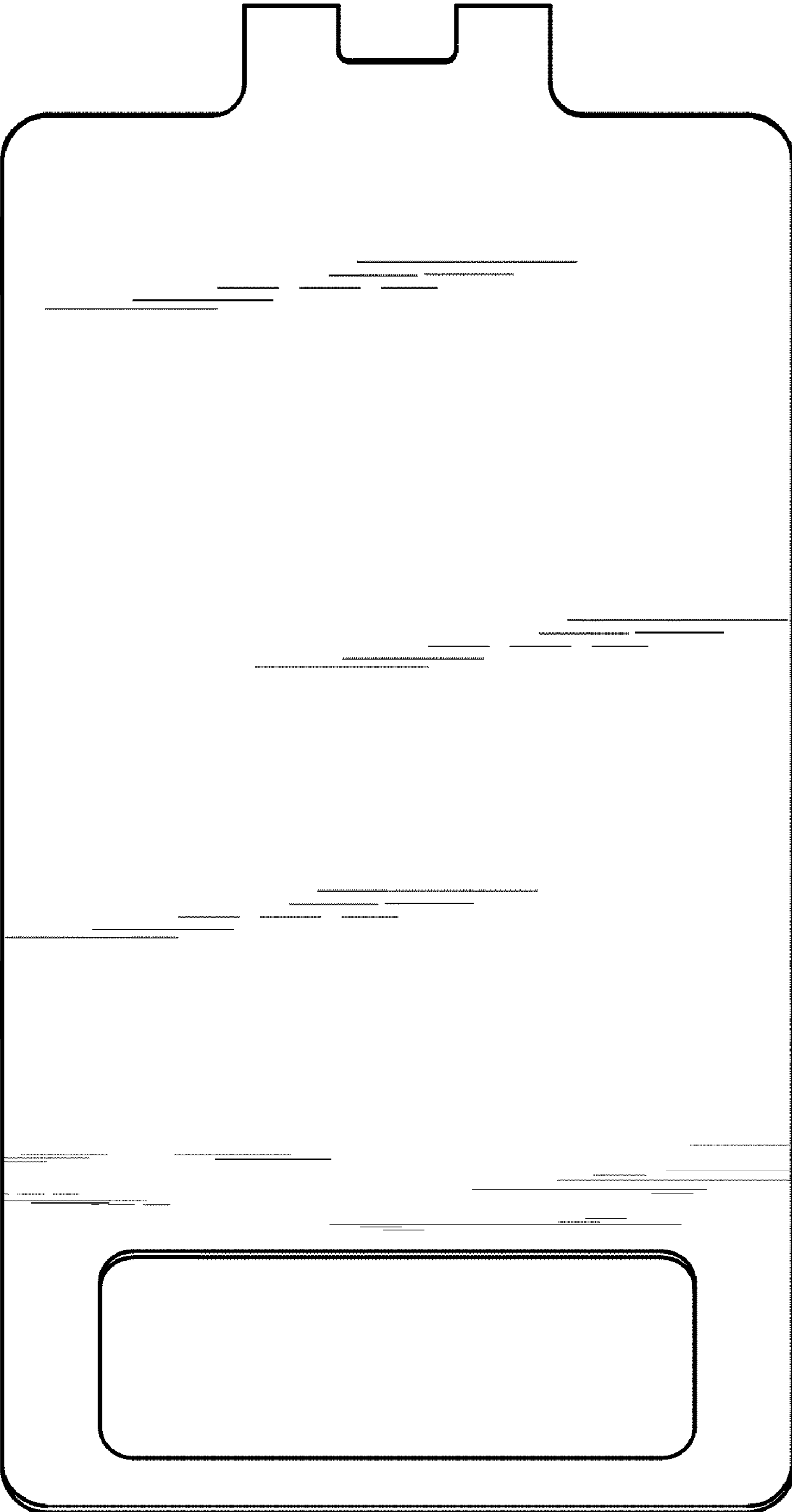


FIG. 5

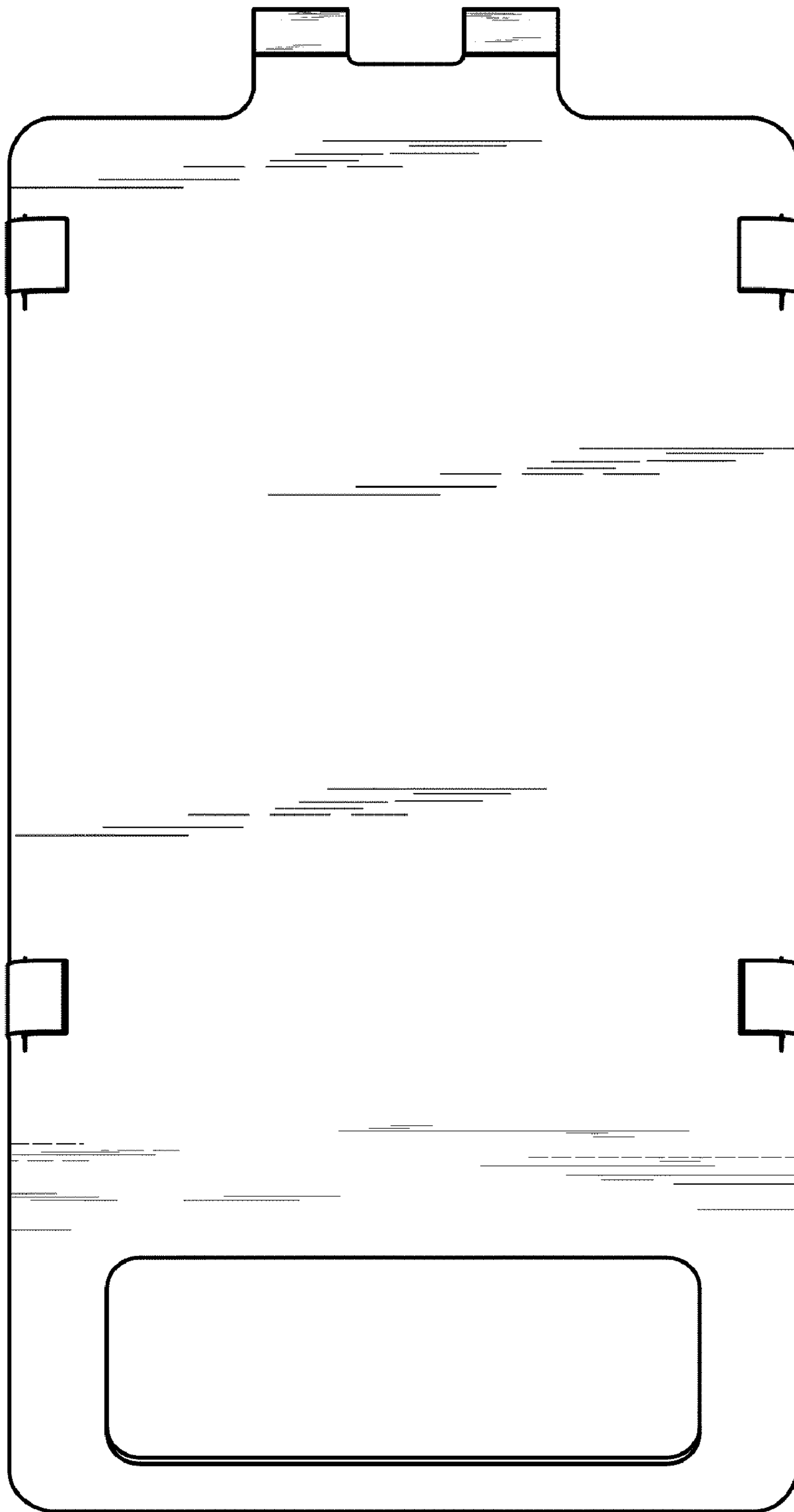


FIG. 6

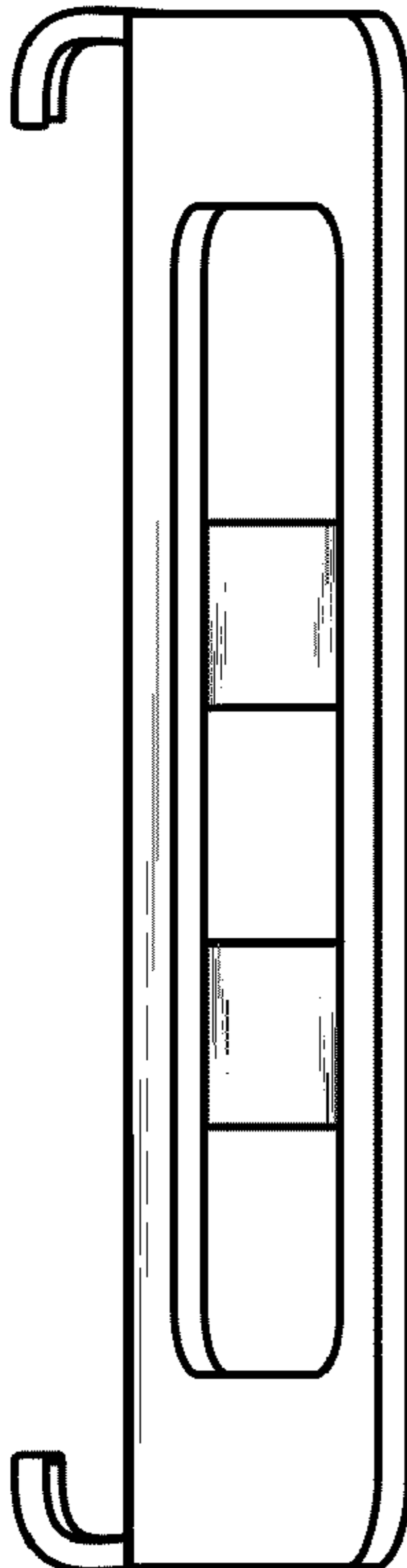


FIG. 7



FIG. 8