



US00D626128S

(12) **United States Design Patent**
van Os

(10) **Patent No.:** **US D626,128 S**

(45) **Date of Patent:** **** Oct. 26, 2010**

(54) **STACKABLE SCANNER DOCKING STATION**

(75) Inventor: **Ron van Os**, Morrison, CO (US)

(73) Assignee: **Visioneer, Inc.**, Pleasanton, CA (US)

(**) Term: **14 Years**

(21) Appl. No.: **29/348,153**

(22) Filed: **Dec. 4, 2009**

(51) **LOC (9) Cl.** **14-02**

(52) **U.S. Cl.** **D14/434**

(58) **Field of Classification Search** D14/432-434,
D14/439, 356, 315, 318, 322, 323, 326, 327;
D13/108, 184, 147, 107, 109, 110, 118-119,
D13/123; 361/686, 681, 801, 724-727, 680,
361/683, 679, 391-395; 710/303, 304, 2,
710/310, 313; 70/58, 57, 57.1, 32-34; 439/638,
439/341, 372, 142, 248, 347; 248/552, 553,
248/175, 918, 924; 364/708.1; D18/59
See application file for complete search history.

(56) **References Cited**

U.S. PATENT DOCUMENTS

D313,590 S *	1/1991	Schorr	D14/453
D317,173 S *	5/1991	Kojima et al.	D18/49
D332,447 S *	1/1993	Gifford et al.	D14/447
5,535,093 A *	7/1996	Noguchi et al.	361/679.43
5,544,010 A *	8/1996	Schultz et al.	361/679.41
5,607,135 A *	3/1997	Yamada	248/456
5,619,397 A *	4/1997	Honda et al.	361/679.43
5,633,782 A *	5/1997	Goodman et al.	361/679.41
D381,212 S *	7/1997	Pagano	D6/300
5,644,471 A *	7/1997	Schultz et al.	361/679.41
5,694,292 A *	12/1997	Paulsel et al.	361/679.43
D395,640 S *	6/1998	Goodman et al.	D14/447
5,774,332 A *	6/1998	Ruch et al.	361/679.41
D396,454 S *	7/1998	Shima et al.	D14/434
5,822,185 A *	10/1998	Cavello	361/679.42
D401,909 S *	12/1998	Richman et al.	D13/162.1
5,899,421 A *	5/1999	Silverman	248/175
5,921,697 A *	7/1999	Karl et al.	403/181
D417,205 S *	11/1999	Clark	D14/447

6,341,061 B1 *	1/2002	Eisbach et al.	361/679.46
6,505,797 B1 *	1/2003	Dempsey	248/166
6,556,435 B1 *	4/2003	Helot et al.	361/679.45
D475,011 S *	5/2003	Kataoka	D13/108
6,583,985 B2 *	6/2003	Nguyen et al.	361/679.27
D477,604 S *	7/2003	Lin	D14/434
D480,730 S *	10/2003	Doherty et al.	D14/447
6,711,921 B1 *	3/2004	Yang	70/58
D489,325 S *	5/2004	Nakamura	D13/110
D489,681 S *	5/2004	Chen	D13/108
6,840,791 B2 *	1/2005	Hsiu	439/374
6,856,506 B2 *	2/2005	Doherty et al.	361/679.27
D508,916 S *	8/2005	Lee	D14/447

(Continued)

Primary Examiner—Susan Moon Lee
(74) *Attorney, Agent, or Firm*—Diane Van Os

(57) **CLAIM**

The ornamental design for a stackable scanner docking station, as shown and described.

DESCRIPTION

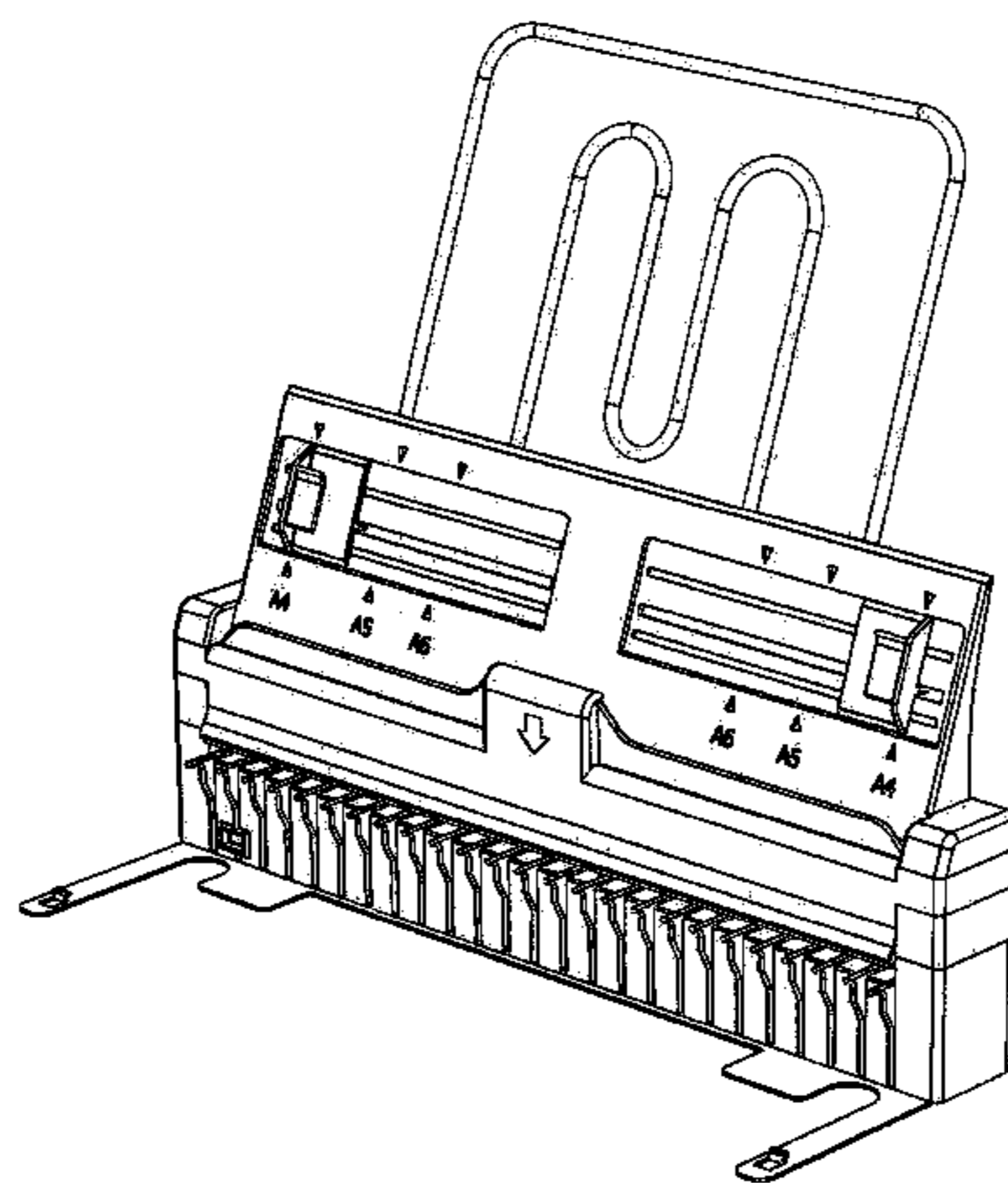
FIG. 1 is a front perspective view of a stackable scanner docking station;

FIG. 2 is an exploded view of the main body component of the docking station of FIG. 1 in which the rear vertical support grill has been removed; and,

FIG. 3 is a side view of the stackable scanner docking station, the opposite side being a mirror image thereof.

The ornamental appearance of the surfaces not shown in the drawings, namely the rear and bottom of the docking station, are not claimed.

1 Claim, 3 Drawing Sheets



US D626,128 S

Page 2

U.S. PATENT DOCUMENTS

6,952,343	B2 *	10/2005	Sato	361/679.57	D573,598	S *	7/2008	Chu	D14/447
D512,066	S *	11/2005	Solomon et al.	D14/434	D575,786	S *	8/2008	Solomon et al.	D14/434
6,971,622	B2 *	12/2005	Ziegler et al.	248/454	D596,187	S *	7/2009	Martell	D14/447
D516,562	S *	3/2006	Solomon et al.	D14/434	D598,453	S *	8/2009	Solomon et al.	D14/434
7,016,181	B2 *	3/2006	Ito et al.	361/679.31	D599,801	S *	9/2009	Skaf et al.	D14/434
7,035,100	B2 *	4/2006	Lord	361/679.41	7,674,118	B2 *	3/2010	He	439/108
D533,558	S *	12/2006	Elkhuizen et al.	D14/447	7,679,902	B2 *	3/2010	Thompson	361/679.44
D535,655	S *	1/2007	Araki	D14/439	7,686,628	B2 *	3/2010	Lino et al.	439/108
7,247,058	B2 *	7/2007	Reeser et al.	439/701	2002/0159231	A1 *	10/2002	Nguyen et al.	361/686
D552,611	S *	10/2007	Hagiwara et al.	D14/434	2003/0001064	A1 *	1/2003	Book	248/460
D554,647	S *	11/2007	Chan	D14/447	2005/0047104	A1 *	3/2005	Grunow et al.	361/801
D564,979	S *	3/2008	Tatsuyama et al.	D13/173	2005/0162824	A1 *	7/2005	Thompson	361/686
					2006/0061961	A1 *	3/2006	Yin et al.	361/686

* cited by examiner

FIG. 1

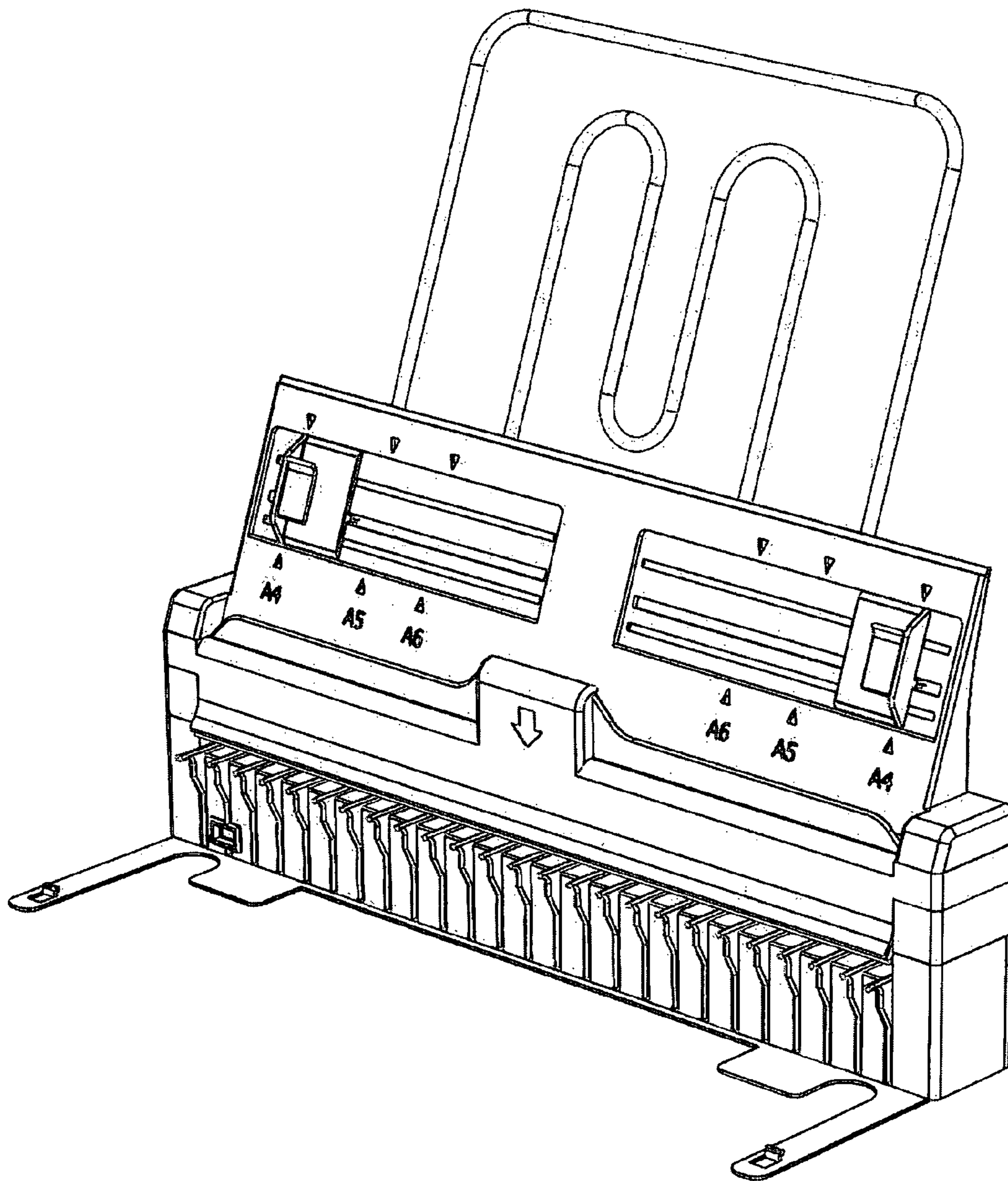


FIG. 2

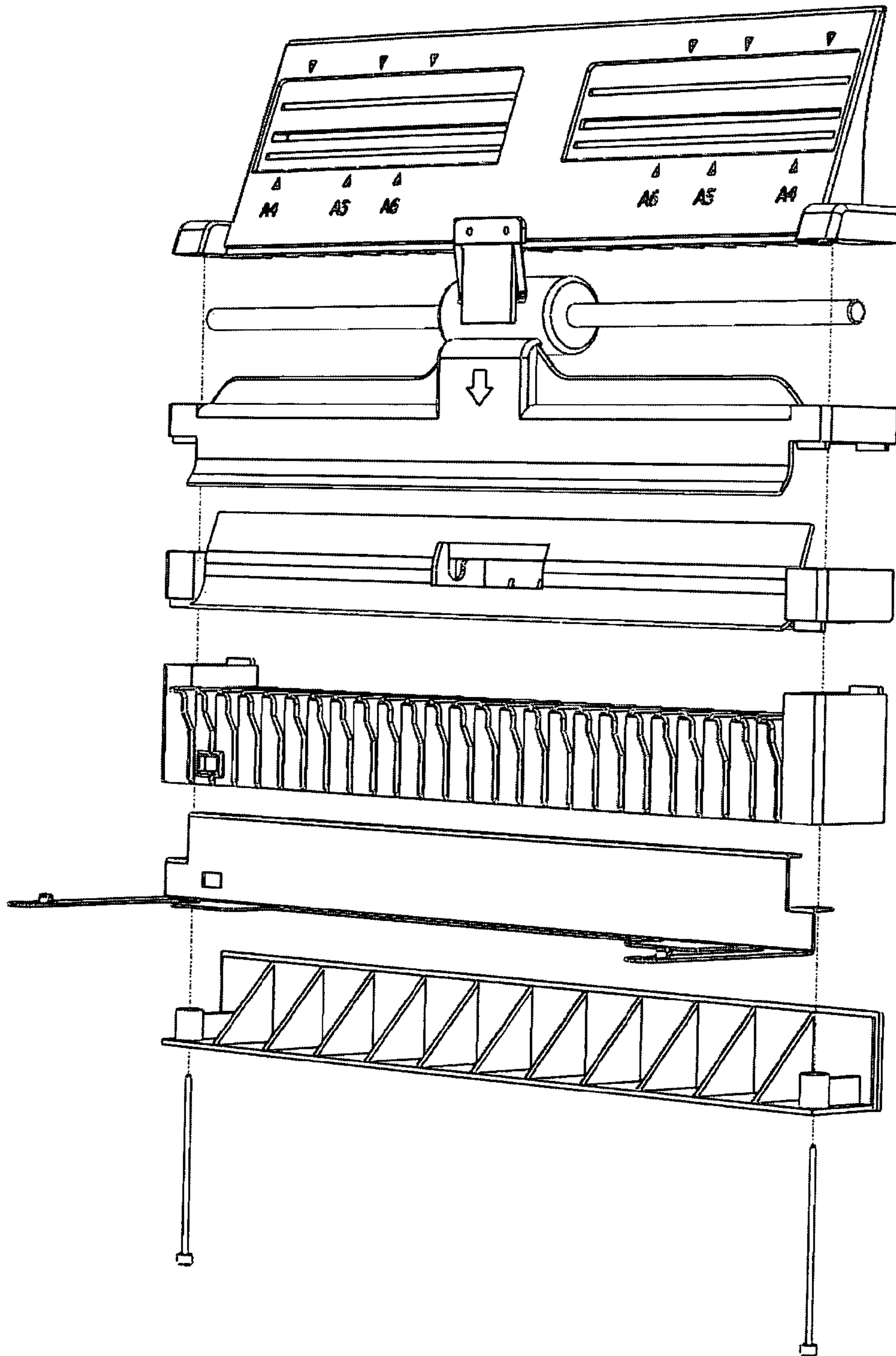


FIG. 3

