



US00D626125S

(12) **United States Design Patent**
Kang

(10) **Patent No.:** **US D626,125 S**

(45) **Date of Patent:** **** Oct. 26, 2010**

(54) **EXTERNAL HARD DISK DRIVE FOR MOBILE PHONE**

(75) Inventor: **Seung Mo Kang**, Seoul (KR)

(73) Assignee: **LG Electronics Inc.**, Seoul (KR)

(**) Term: **14 Years**

(21) Appl. No.: **29/345,813**

(22) Filed: **Oct. 22, 2009**

(30) **Foreign Application Priority Data**

May 22, 2009 (KR) 30-2009-0022118

(51) **LOC (9) Cl.** **14-02**

(52) **U.S. Cl.** **D14/356; D14/240**

(58) **Field of Classification Search** D14/125,
D14/137, 167, 16, 230, 231, 233, 235, 237,
D14/240-242, 299, 432, 435, 436, 155, 496,
D14/300-302, 313, 314, 214, 348-363, 365-370;
D18/56; D10/67, 75, 78; D13/149, 162,
D13/184, 199; D3/201, 273; 361/679.31-679.45
See application file for complete search history.

(56) **References Cited**

U.S. PATENT DOCUMENTS

D244,387 S * 5/1977 Butsch D14/365
D338,458 S * 8/1993 Guo D14/367
D351,158 S * 10/1994 Sacherman et al. D14/137

D376,587 S * 12/1996 Nakada D14/368
D391,239 S * 2/1998 Carlson D14/368
D406,588 S * 3/1999 Sogabe D14/507
D530,325 S * 10/2006 Kerila et al. D14/356
7,251,131 B2 * 7/2007 Shah et al. 361/679.33
D550,713 S * 9/2007 Ichinose et al. D14/496
D578,116 S * 10/2008 Olcott et al. D14/240

* cited by examiner

Primary Examiner—Robin V Webster

Assistant Examiner—Karen E Kearney

(74) *Attorney, Agent, or Firm*—Morgan Lewis & Bockius LLP

(57) **CLAIM**

I claim the ornamental design for an external hard disk drive for mobile phone, as shown and described.

DESCRIPTION

FIG. 1 is a perspective view of an external hard disk drive for mobile phone showing my new design:

FIG. 2 is a front elevation view thereof;

FIG. 3 is a rear elevation view thereof;

FIG. 4 is a left-side elevation view thereof;

FIG. 5 is a right-side elevation view thereof;

FIG. 6 is a top plan view thereof; and,

FIG. 7 is a bottom plan view thereof.

1 Claim, 5 Drawing Sheets

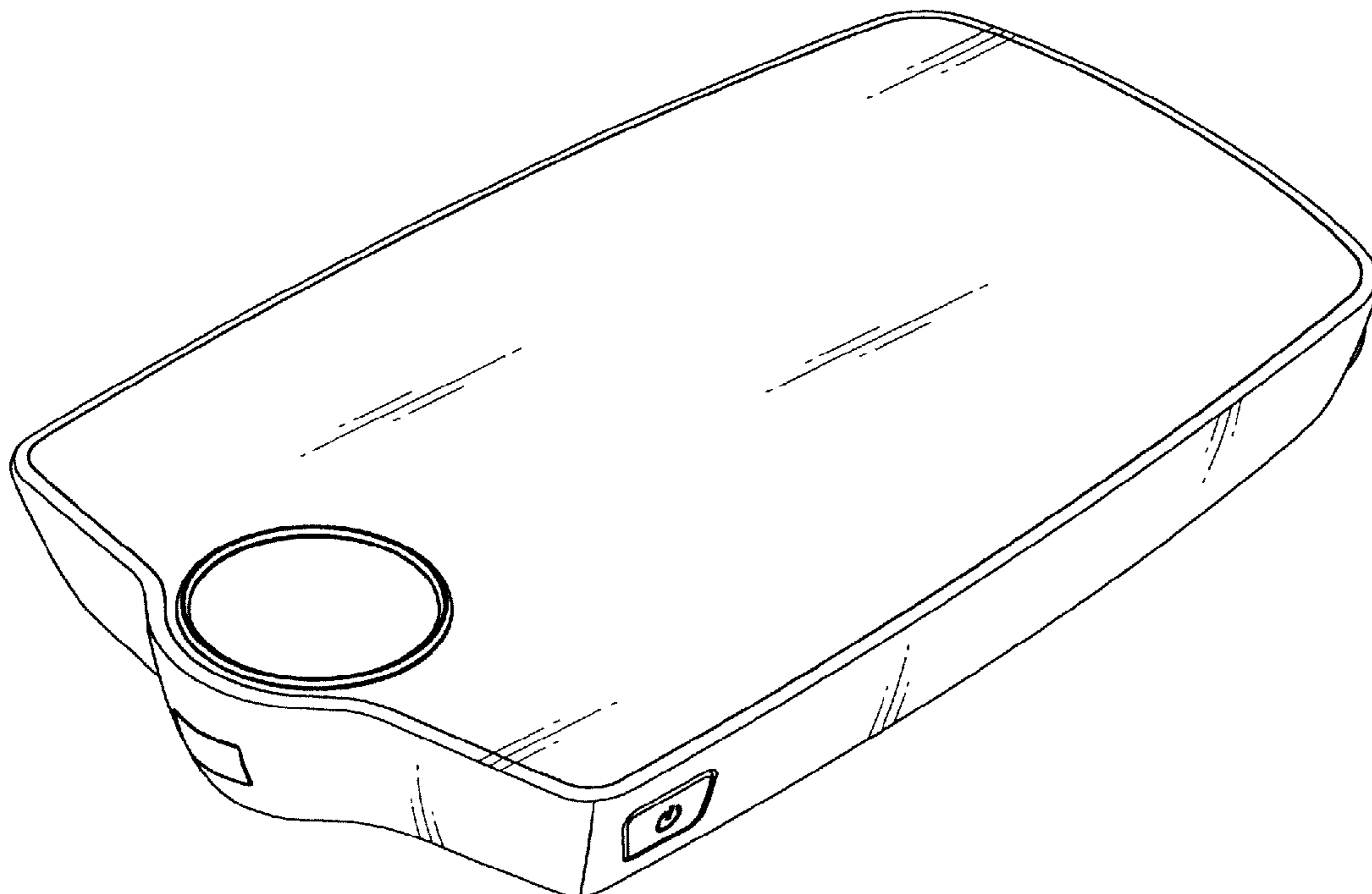


FIG. 1

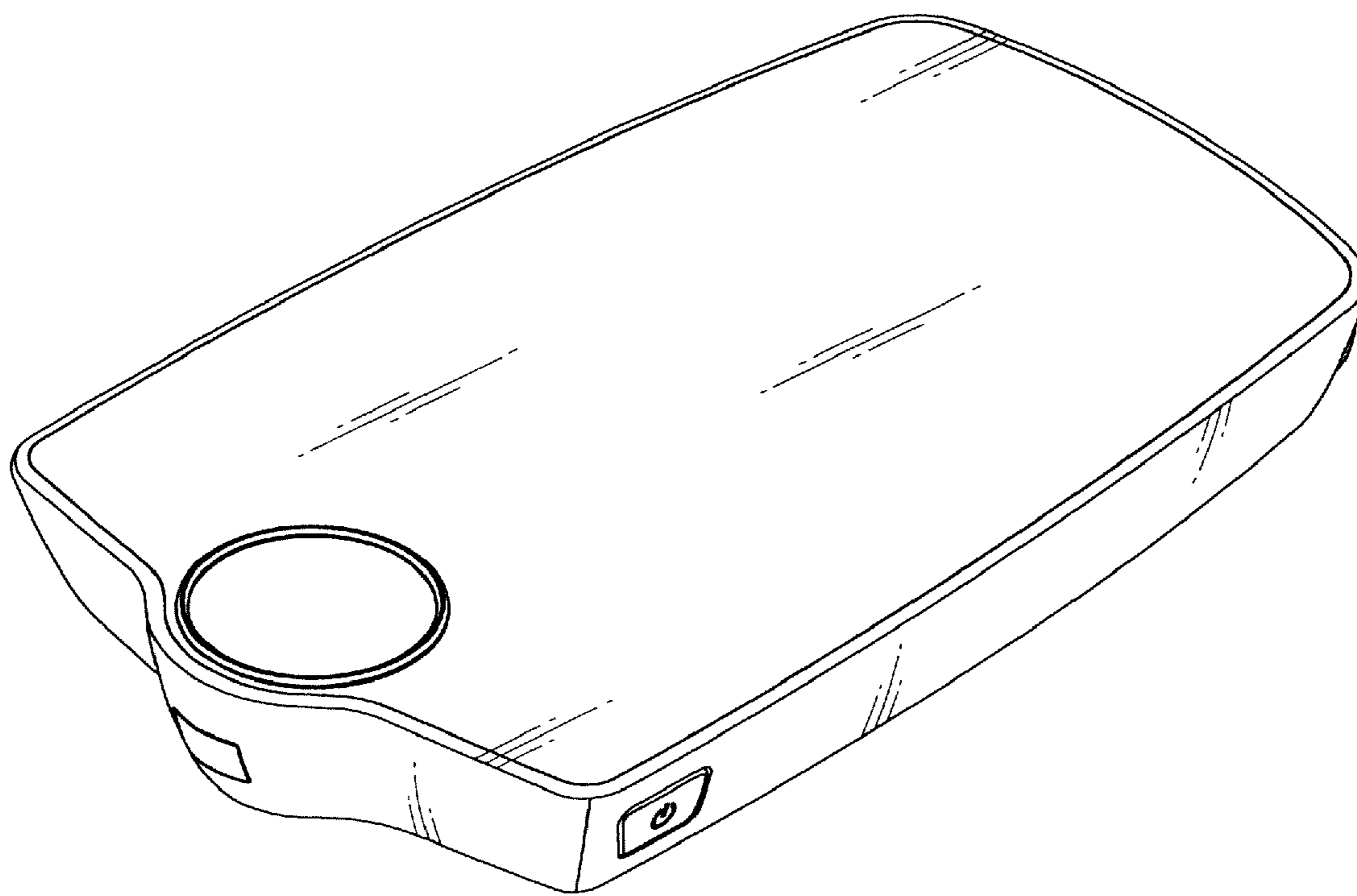


FIG. 2

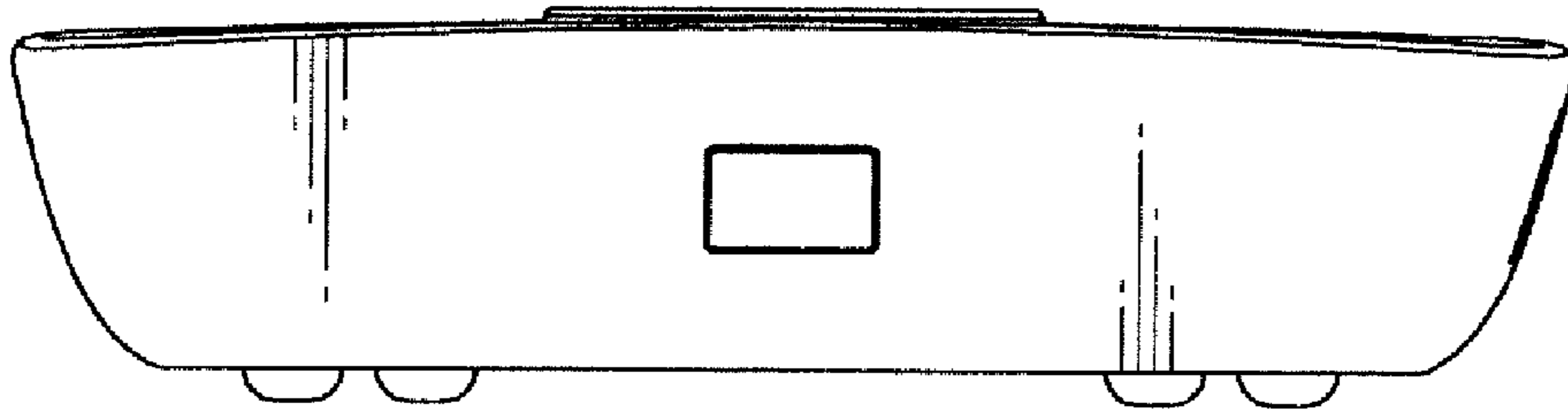


FIG. 3

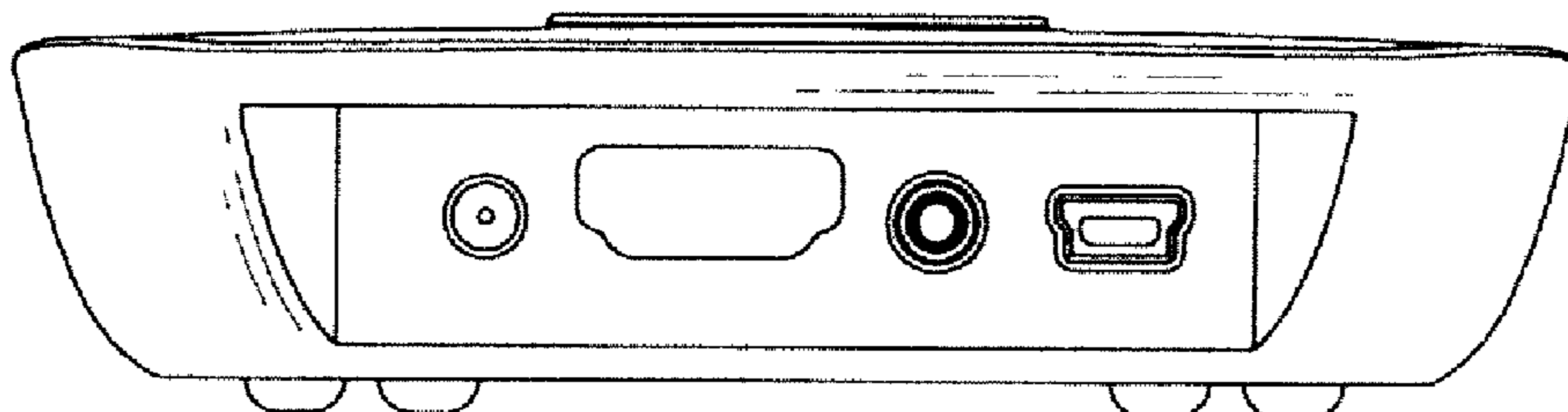


FIG. 4

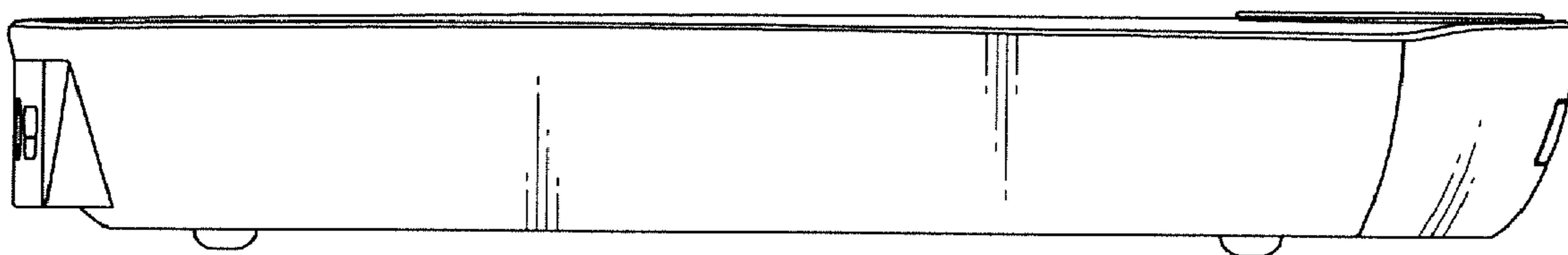


FIG. 5

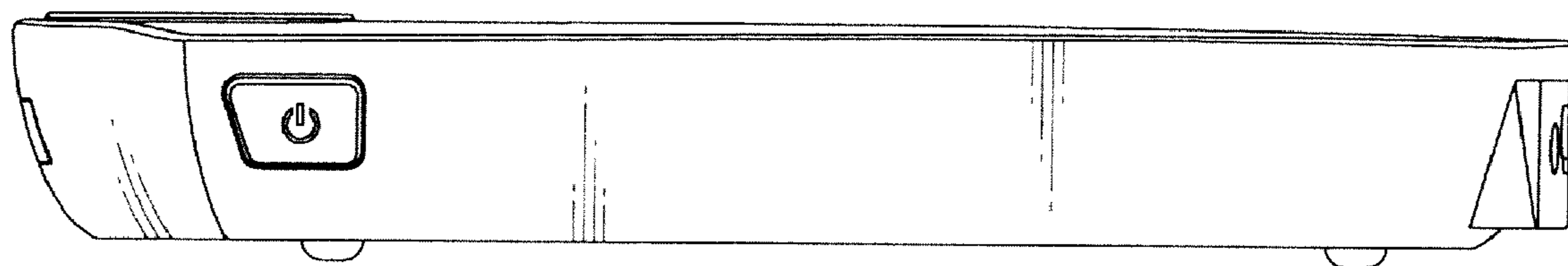


FIG. 6

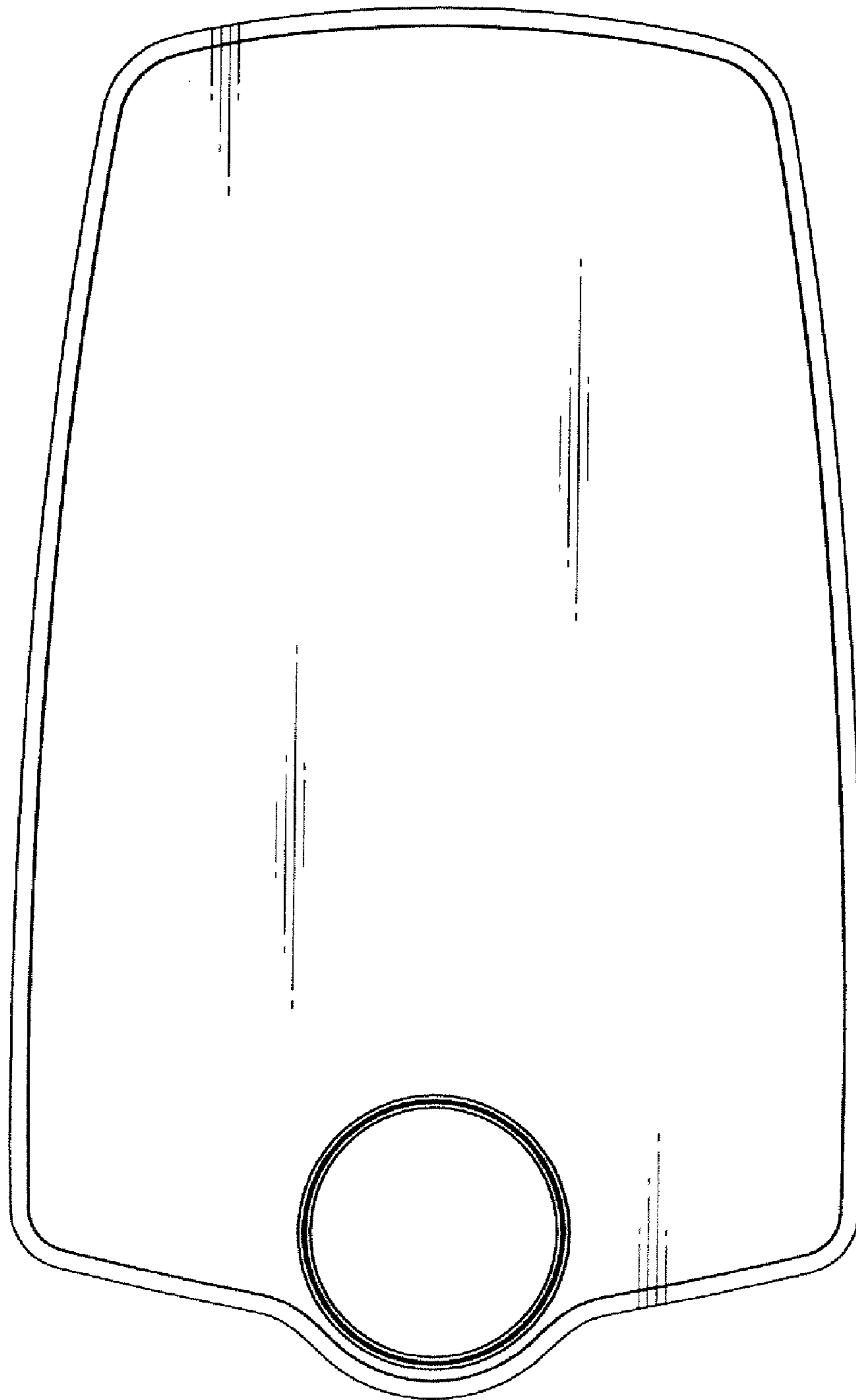


FIG. 7

