



US00D626124S

(12) **United States Design Patent**  
**Chyan et al.**

(10) **Patent No.:** **US D626,124 S**  
(45) **Date of Patent:** **\*\* Oct. 26, 2010**

(54) **E-BOOK READER**

(75) Inventors: **Yu-Hou Chyan**, Taipei Hsien (TW);  
**Teh-Shen Lee**, Taipei Hsien (TW)

(73) Assignee: **Hon Hai Precision Industry Co., Ltd.**,  
Tu-Cheng, Taipei Hsien (TW)

(\*\*) Term: **14 Years**

(21) Appl. No.: **29/355,186**

(22) Filed: **Feb. 3, 2010**

(30) **Foreign Application Priority Data**

Dec. 3, 2009 (CN) ..... 2009 3 0327806

(51) **LOC (9) Cl.** ..... **14-02**

(52) **U.S. Cl.** ..... **D14/341**

(58) **Field of Classification Search** ..... D14/341-347,  
D14/137, 138, 138.1, 138 AA, 138 R, 138 AB,  
D14/138 AC, 138 AD, 138 C, 138 G, 496,  
D14/203.1, 203.3, 203.4, 203.5, 203.6, 203.7,  
D14/426, 427, 428, 432, 429, 129, 130, 420,  
D14/439-441, 448, 125, 147, 156, 218, 247-248,  
D14/250, 389, 336; D10/65, 104; D18/6-7;  
D21/29, 686, 33, 324, 329, 330; D6/596,  
D6/601, 605; D19/60; 345/169, 901, 905;  
348/169; 361/814; 341/122; 346/173; 379/433.04,  
379/433.07, 433.11, 433.12, 433.13, 910,  
379/916, 433.01, 433.06  
See application file for complete search history.

(56) **References Cited**

**U.S. PATENT DOCUMENTS**

D378,686 S \* 4/1997 Proctor et al. .... D19/60  
D391,987 S \* 3/1998 Jambhekar et al. .... D14/345  
6,512,497 B1 \* 1/2003 Kondo et al. .... 345/1.1

D493,463 S \* 7/2004 Takahashi ..... D14/373  
D517,545 S \* 3/2006 Buckel et al. .... D14/345  
D588,126 S \* 3/2009 Chiang et al. .... D14/345  
D606,993 S \* 12/2009 Watson et al. .... D14/341  
D610,612 S \* 2/2010 Rhee ..... D19/26  
7,705,799 B2 \* 4/2010 Niwa ..... 345/1.1  
D615,538 S \* 5/2010 Huang et al. .... D14/315  
D618,683 S \* 6/2010 Wilson et al. .... D14/371  
2008/0253073 A1 \* 10/2008 Kee et al. .... 361/681  
2010/0149104 A1 \* 6/2010 Sim et al. .... 345/169

**OTHER PUBLICATIONS**

www.pcworld.com; Jan. 9, 2010; MSI's Dual-display Windows  
7-based netbook prototype; accessed Jun. 29, 2010.\*

\* cited by examiner

*Primary Examiner*—Cathron C Brooks

*Assistant Examiner*—Barbara Fox

(74) *Attorney, Agent, or Firm*—Zhigang Ma

(57) **CLAIM**

The ornamental design for a e-book reader, as shown and  
described.

**DESCRIPTION**

FIG. 1 is a perspective view of an e-book reader showing our  
new design;

FIG. 2 is a front elevational view thereof;

FIG. 3 is a rear elevational view thereof;

FIG. 4 is a left side elevational view thereof;

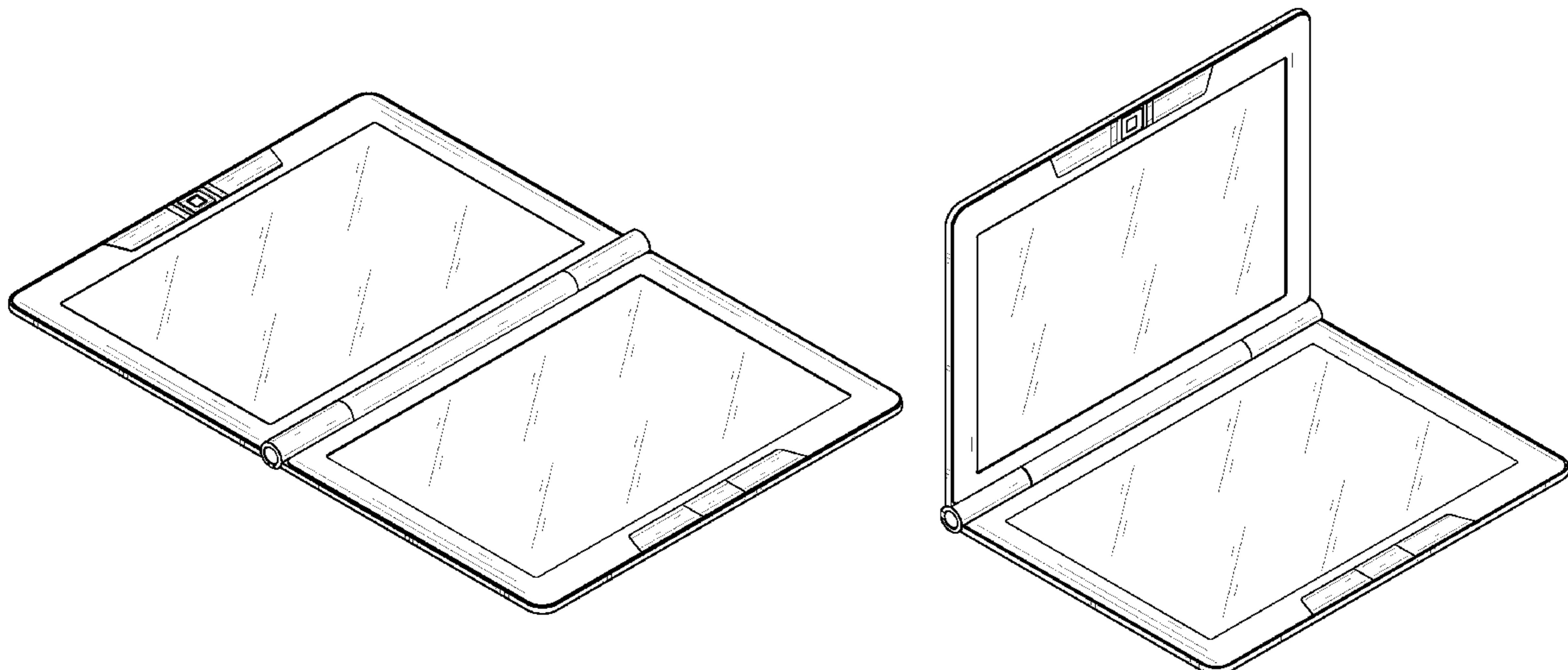
FIG. 5 is a right side elevational view thereof;

FIG. 6 is a top plan view thereof;

FIG. 7 is a bottom plan view thereof; and,

FIG. 8 is a perspective view thereof, showing the e-book  
reader in an alternate open position.

**1 Claim, 8 Drawing Sheets**



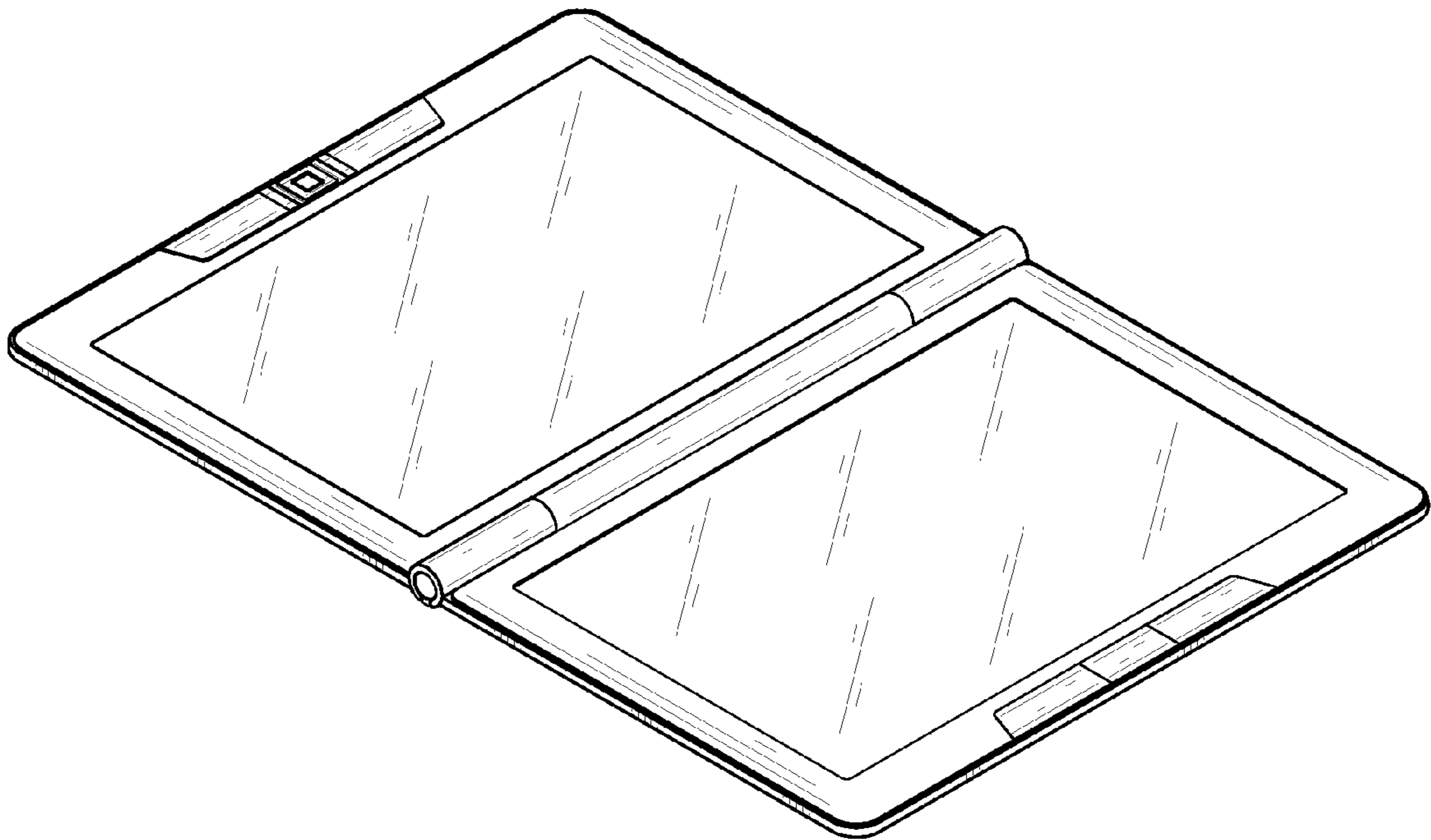


FIG. 1

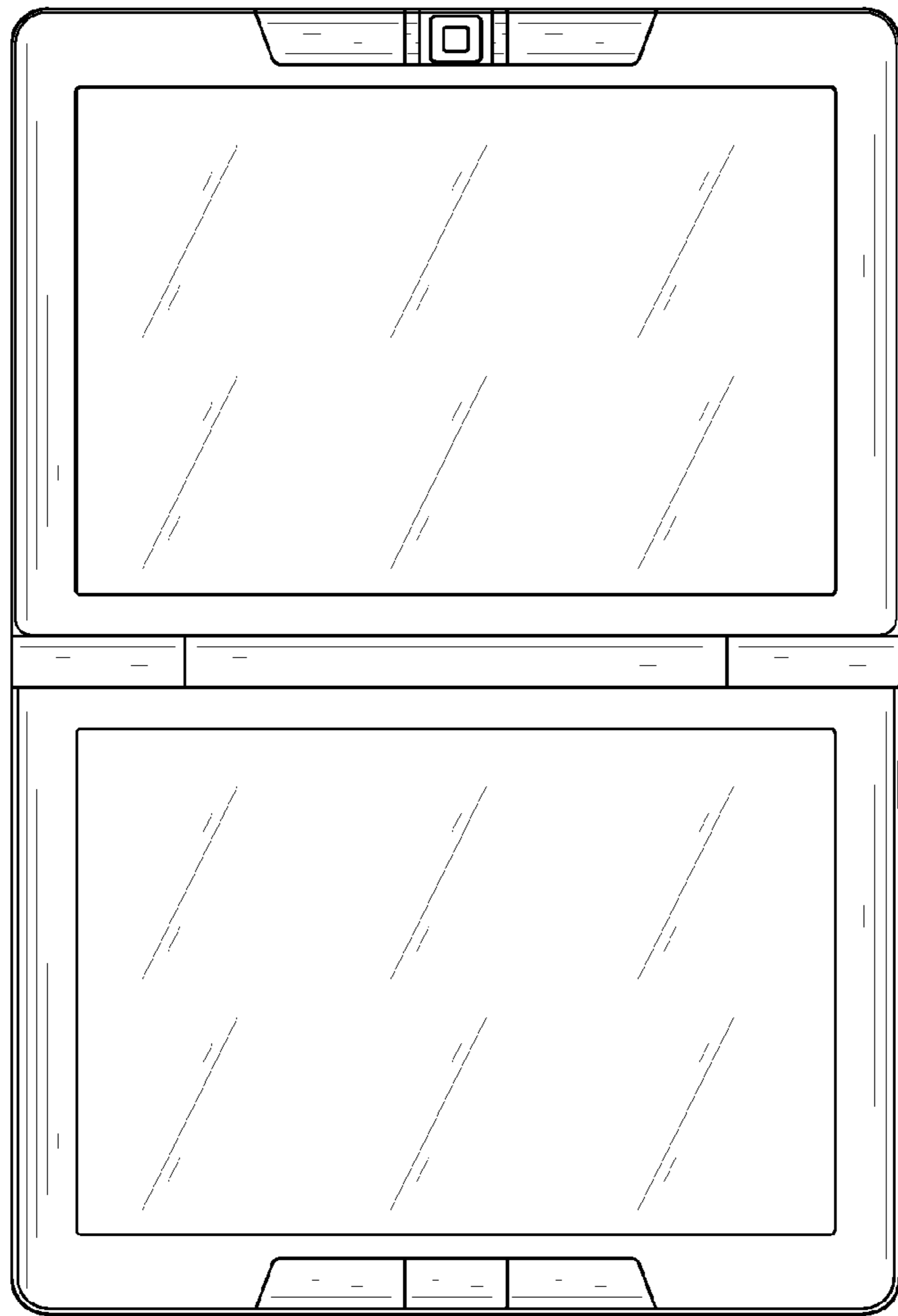


FIG. 2

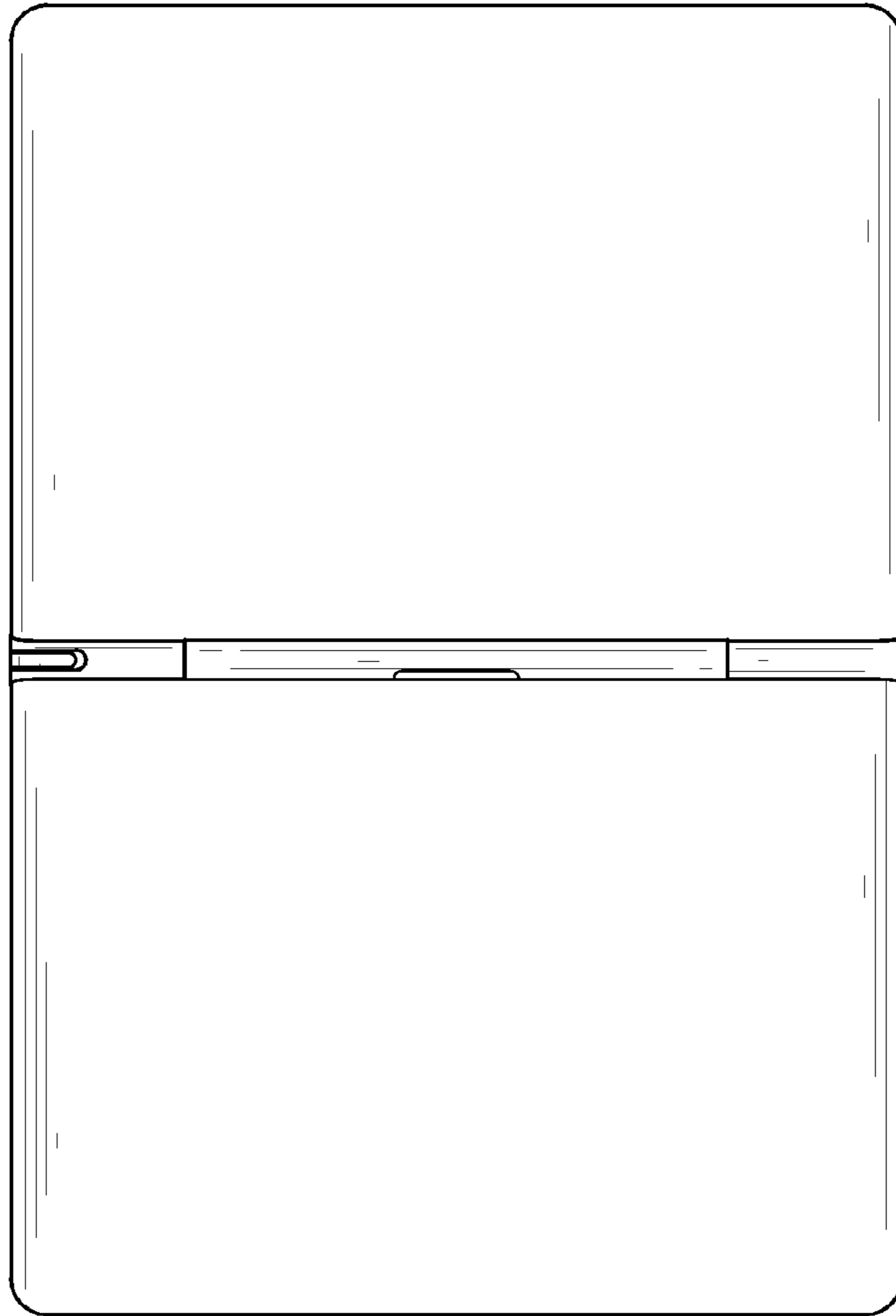


FIG. 3



FIG. 4



FIG. 5



FIG. 6

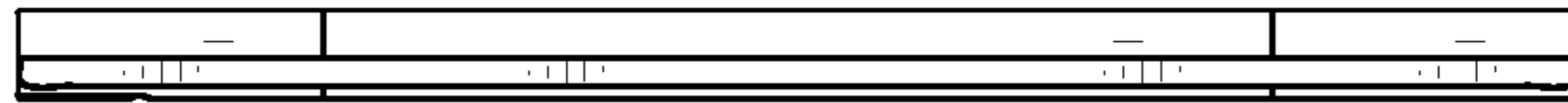


FIG. 7



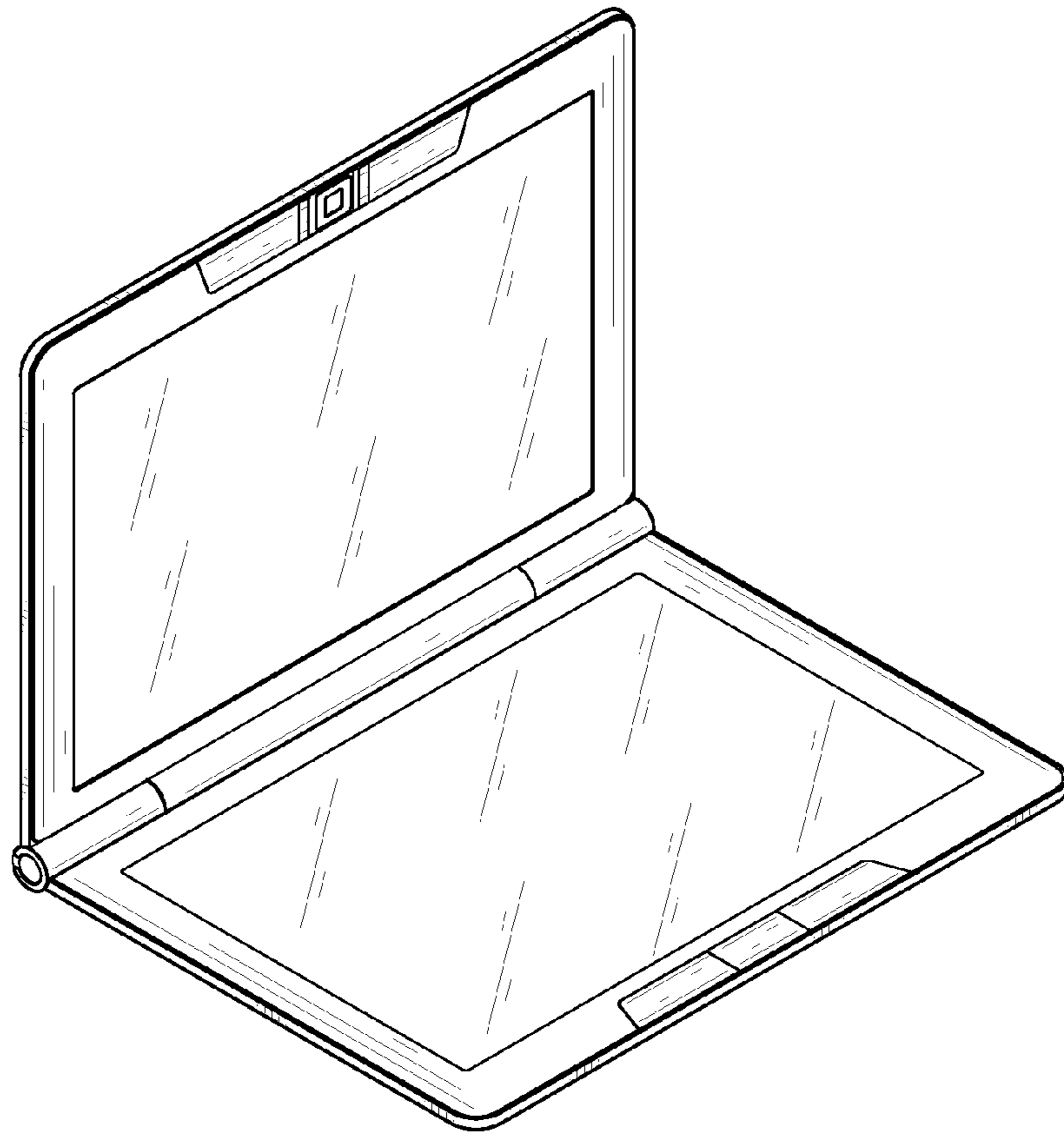


FIG. 8