



US00D626122S

(12) **United States Design Patent**
Vogel et al.

(10) **Patent No.:** **US D626,122 S**
(45) **Date of Patent:** **** Oct. 26, 2010**

(54) **STACKABLE OPTICAL MODULE ENCLOSURE**
(75) Inventors: **Mark Vogel**, Statesville, NC (US); **Todd Andrew Newhouse**, Rohnet Park, CA (US); **William Anthony Pender**, Hollywood, FL (US); **Ronald Howard Diego**, Boca Raton, FL (US)
(73) Assignee: **Commscope, Inc. of North Carolina**, Hickory, NC (US)

(**) Term: **14 Years**

(21) Appl. No.: **29/339,784**

(22) Filed: **Jul. 7, 2009**

(51) **LOC (9) Cl.** **14-02**
(52) **U.S. Cl.** **D14/299; D14/368**
(58) **Field of Classification Search** D14/299, D14/188, 367, 368, 480, 478; D16/130; D13/184, 133, 152, 153; 385/135, 147; 439/43, 439/49, 48; 174/559, 561, 564; 220/3.2, 220/378; 206/308.1, 316.1
See application file for complete search history.

(56) **References Cited**

U.S. PATENT DOCUMENTS

2,930,504	A *	3/1960	Hudson	220/3.4
D211,252	S *	6/1968	Hasegawa	D14/188
D215,545	S *	10/1969	Huska	D13/133
3,573,708	A *	4/1971	Yarrick et al.	439/49
D276,428	S *	11/1984	Burbank et al.	D13/184
D304,178	S *	10/1989	Cranston et al.	D14/367
4,911,521	A	3/1990	Ryuto et al.		
D314,567	S *	2/1991	Ichitsubo	D14/367
5,115,489	A	5/1992	Norris		
D327,897	S *	7/1992	Reddig	D16/209
5,167,001	A *	11/1992	Debortoli et al.	385/135
5,206,927	A	4/1993	Finzel et al.		
5,233,491	A *	8/1993	Kadonaga et al.	360/97.02
5,285,515	A	2/1994	Milanowski et al.		
5,317,462	A *	5/1994	Kakizaki et al.	360/97.02
5,435,737	A *	7/1995	Haga et al.	439/157

5,519,804	A	5/1996	Burek et al.		
5,553,183	A	9/1996	Bechamps		
D375,491	S *	11/1996	Hata	D14/480
5,577,151	A *	11/1996	Hoffer	385/135
D377,644	S *	1/1997	Nicklos et al.	D14/368
D389,470	S *	1/1998	Schick et al.	D14/367
5,796,908	A	8/1998	Vicory		
D421,748	S *	3/2000	Sumner et al.	D14/478
D457,521	S *	5/2002	Sherry	D14/367
6,810,193	B1	10/2004	Muller		
D542,290	S *	5/2007	Hosoya	D14/368
D543,204	S *	5/2007	Yoshino et al.	D14/367
D550,172	S *	9/2007	Aguilar	D13/184
7,399,201	B1 *	7/2008	Khorsand	439/501
D604,706	S *	11/2009	Sato et al.	D14/125

OTHER PUBLICATIONS

“Introduction to the Clearview Cassette, Any Application, Anywhere Multiplier,” Clearfield Product Brochure, Dated 2008, pp. 3-4, www.clearfieldConnection.com.

* cited by examiner

Primary Examiner—Paula Greene

(74) *Attorney, Agent, or Firm*—Muncy, Geissler, Olds & Lowe, PLLC

(57) **CLAIM**

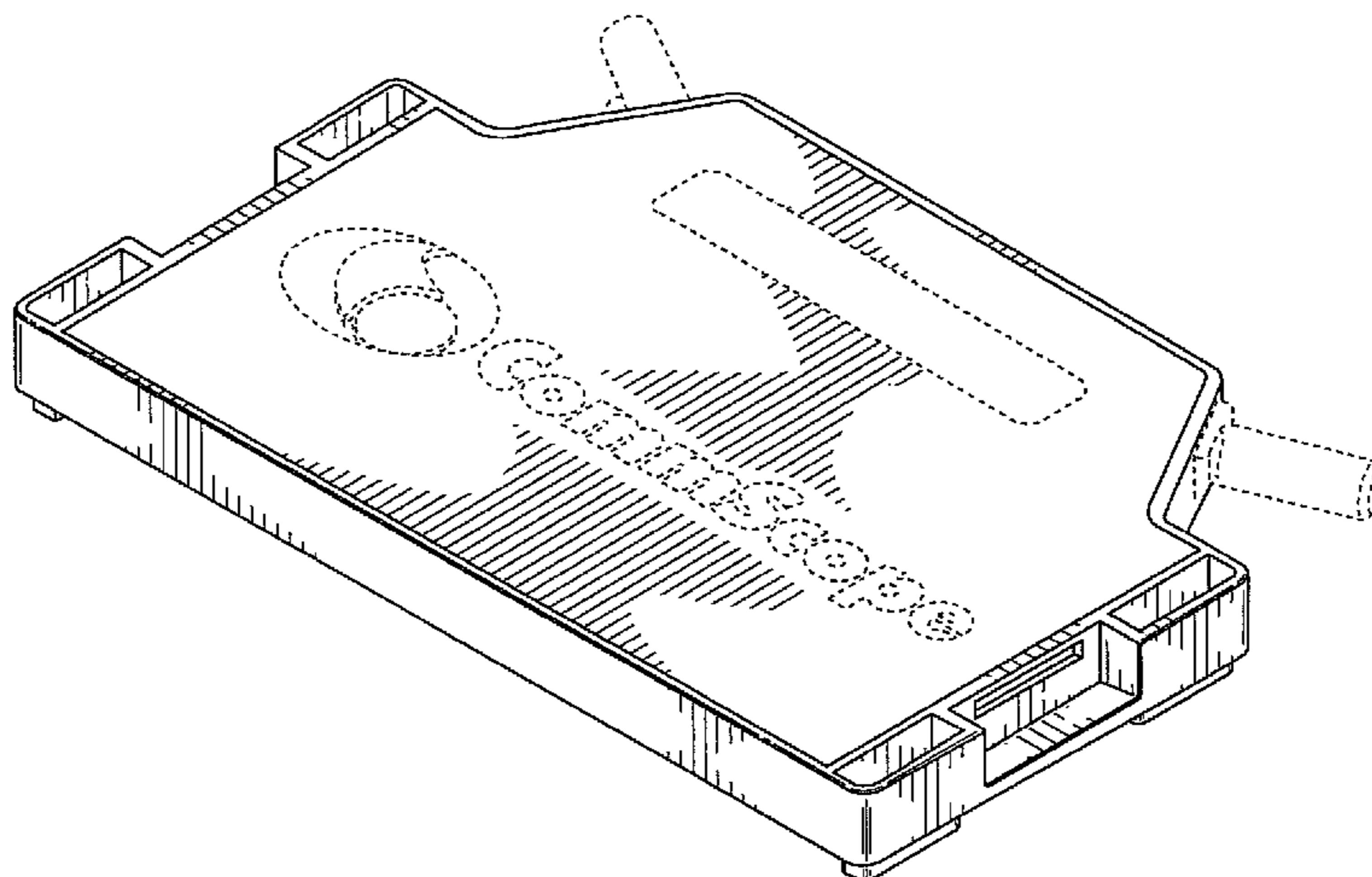
The ornamental design for a stackable optical module enclosure, as shown and described.

DESCRIPTION

FIG. 1 is a perspective view of a stackable optical module enclosure showing our new design;
FIG. 2 is a front view thereof;
FIG. 3 is a rear view thereof;
FIG. 4 is a left side view thereof;
FIG. 5 is a right side view thereof;
FIG. 6 is a top plan view thereof; and,
FIG. 7 is a bottom plan view thereof.

The broken lines shown in the drawings are for illustrative purposes only and form no part of the claimed design.

1 Claim, 5 Drawing Sheets



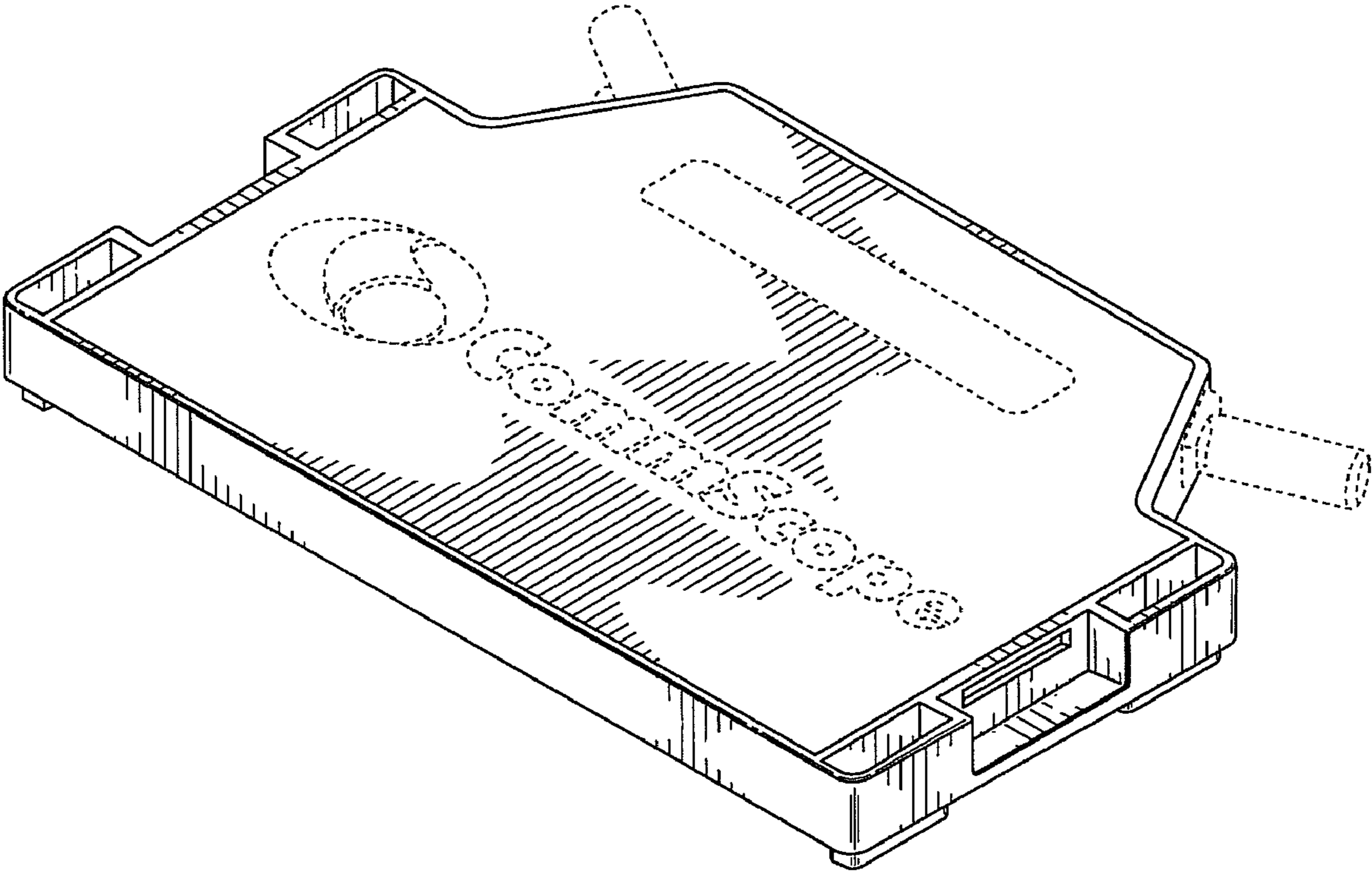


FIG. 1

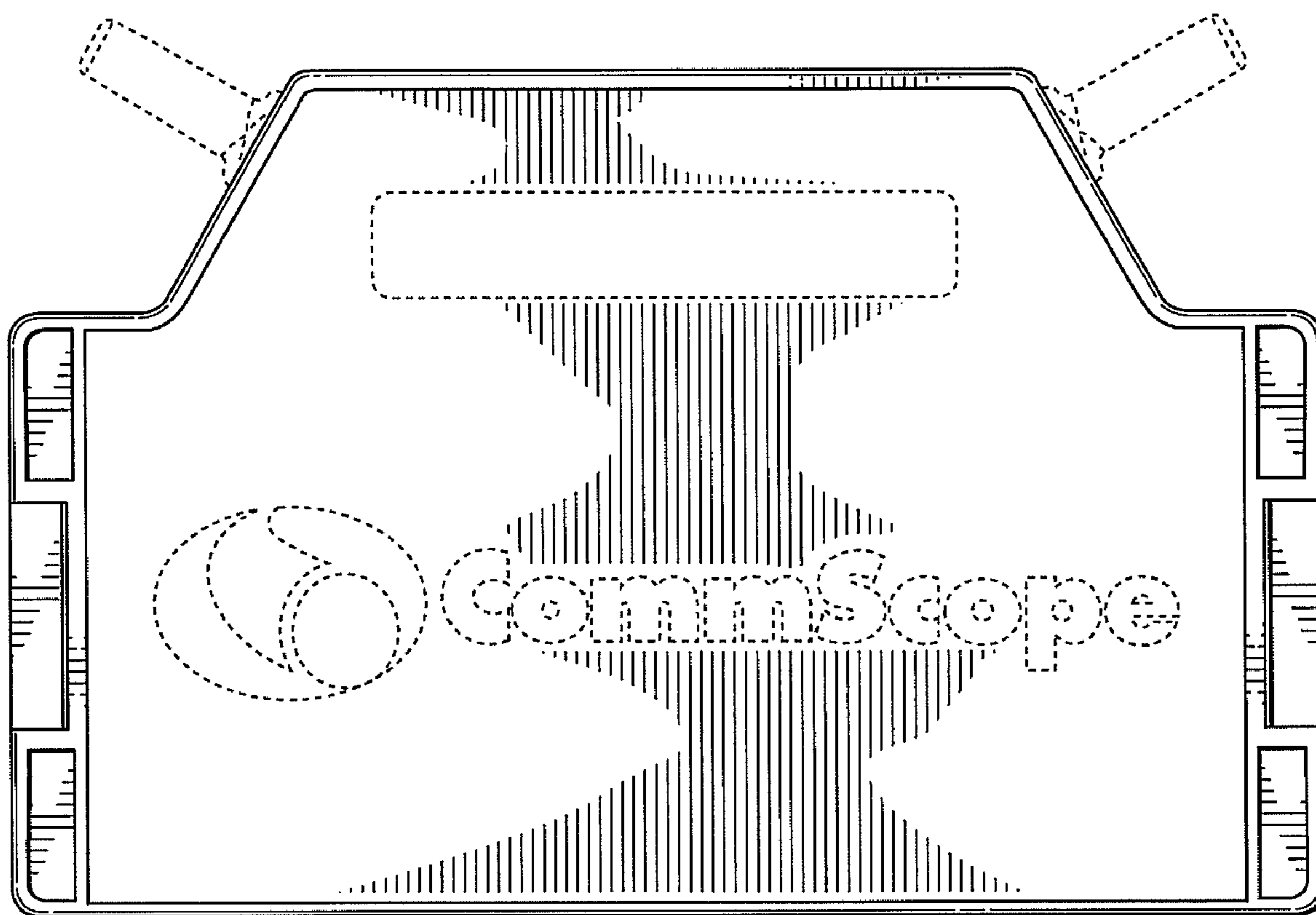


FIG. 2

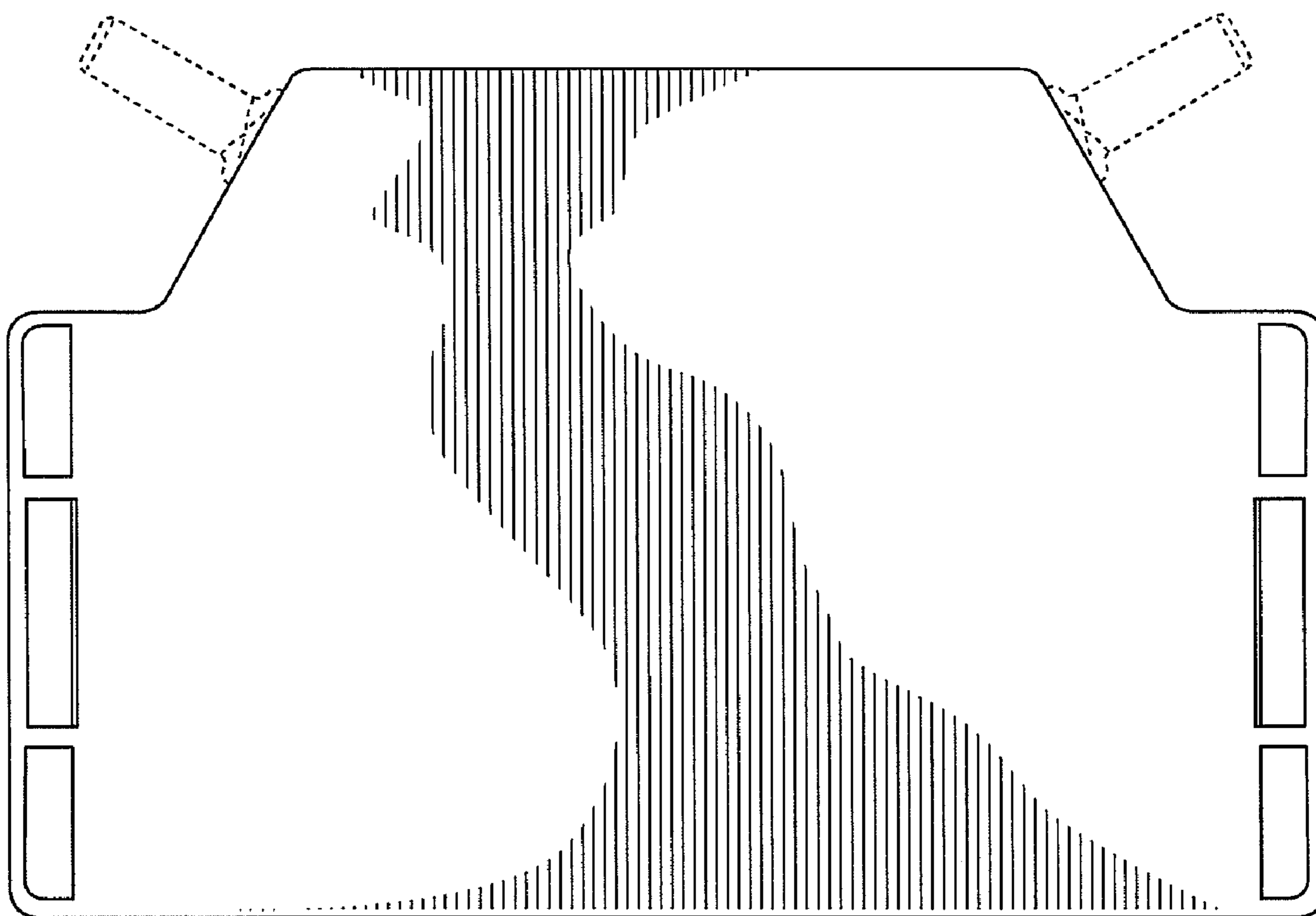


FIG. 3

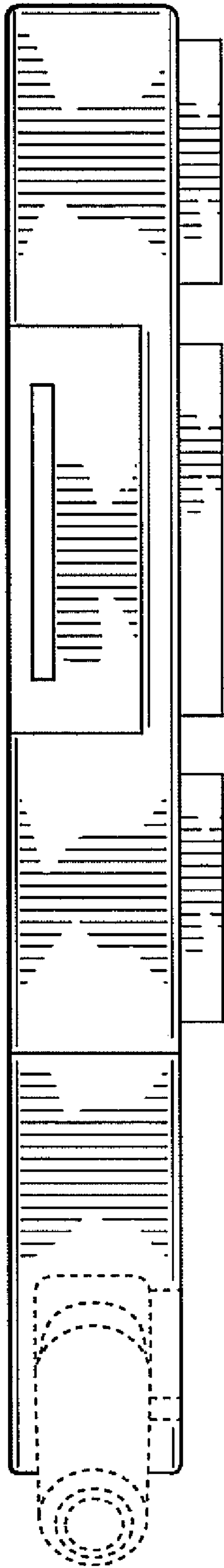


FIG. 4

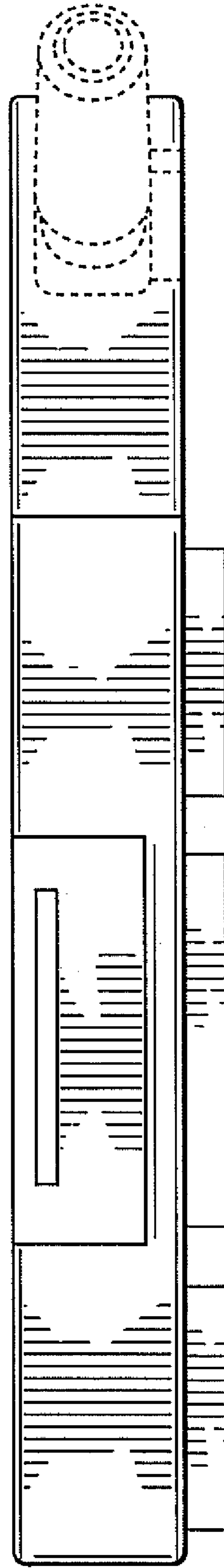


FIG. 5

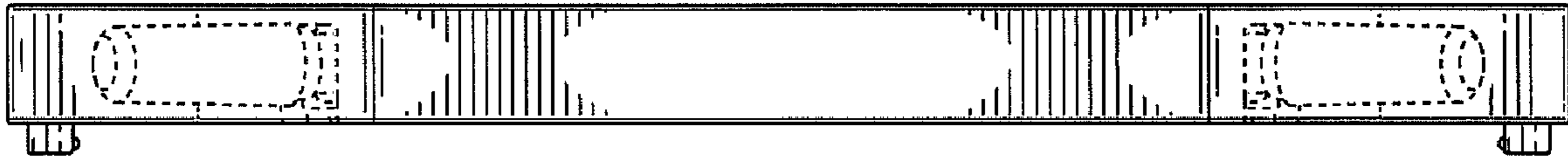


FIG. 6

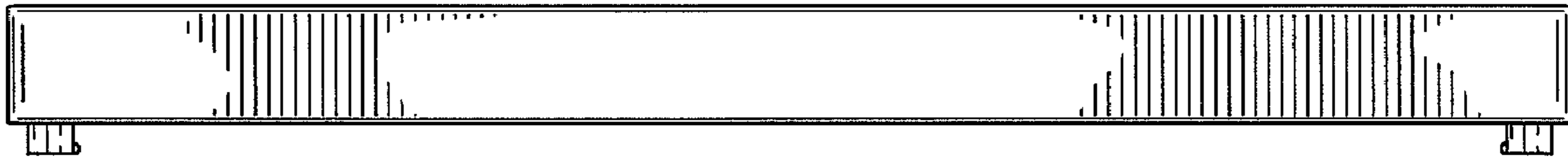


FIG. 7