



US00D626116S

(12) **United States Design Patent**
Andre et al.

(10) **Patent No.:** **US D626,116 S**
(45) **Date of Patent:** **** Oct. 26, 2010**

(54) **DOCK INSERT**

(75) Inventors: **Bartley K. Andre**, Menlo Park, CA (US); **Daniel J. Coster**, San Francisco, CA (US); **Daniele De Iuliis**, San Francisco, CA (US); **Richard P. Howarth**, San Francisco, CA (US); **Jonathan P. Ive**, San Francisco, CA (US); **Duncan Robert Kerr**, San Francisco, CA (US); **Shin Nishibori**, Portola Valley, CA (US); **Matthew Dean Rohrbach**, San Francisco, CA (US); **Peter Russell-Clarke**, San Francisco, CA (US); **Douglas B. Satzger**, Menlo Park, CA (US); **Christopher J. Stringer**, Woodside, CA (US); **Eugene Antony Whang**, San Francisco, CA (US); **Rico Zorkendorfer**, San Francisco, CA (US)

(73) Assignee: **Apple Inc.**, Cupertino, CA (US)

(**) Term: **14 Years**

(21) Appl. No.: **29/351,431**

(22) Filed: **Dec. 4, 2009**

Related U.S. Application Data

(60) Continuation of application No. 29/339,253, filed on Jun. 26, 2009, now Pat. No. Des. 605,633, which is a division of application No. 29/324,179, filed on Sep. 8, 2008, now Pat. No. Des. 595,266.

(51) **LOC (9) Cl.** **14-01**

(52) **U.S. Cl.** **D14/217**

(58) **Field of Classification Search** D14/142, D14/149, 155, 157, 188, 191-193, 230.1-203.8, D14/217, 251, 253, 432-435.1, 447, 451, D14/496, 474, 480.1-480.7; D13/107, 108, D13/118; D3/218; 248/221.11, 309.1; 320/107, 320/110, 113-115; 361/600; 439/529, 534; 455/556.1-556.2, 557

See application file for complete search history.

(56) **References Cited**

U.S. PATENT DOCUMENTS

5,233,281 A	8/1993	Chiang et al.
5,280,229 A	1/1994	Faude et al.
5,742,149 A	4/1998	Simpson
5,926,005 A	7/1999	Holcomb et al.
7,075,579 B2	7/2006	Whitby et al.
7,145,603 B2	12/2006	Whitby et al.
D551,212 S	9/2007	Andre et al.
D551,213 S	9/2007	Andre et al.
D552,085 S	10/2007	Andre et al.

(Continued)

FOREIGN PATENT DOCUMENTS

KR 30-0427444 10/2006

(Continued)

Primary Examiner—Stella M Reid

Assistant Examiner—Keli L Hill

(74) *Attorney, Agent, or Firm*—Sterne, Kessler, Goldstein & Fox PLLC

(57) **CLAIM**

The ornamental design for a dock insert, as shown and described.

DESCRIPTION

FIG. 1 is a top rear perspective view of a dock insert showing our new design;

FIG. 2 is a bottom rear perspective view thereof;

FIG. 3 is a rear view thereof;

FIG. 4 is a front view thereof;

FIG. 5 is a left side view thereof;

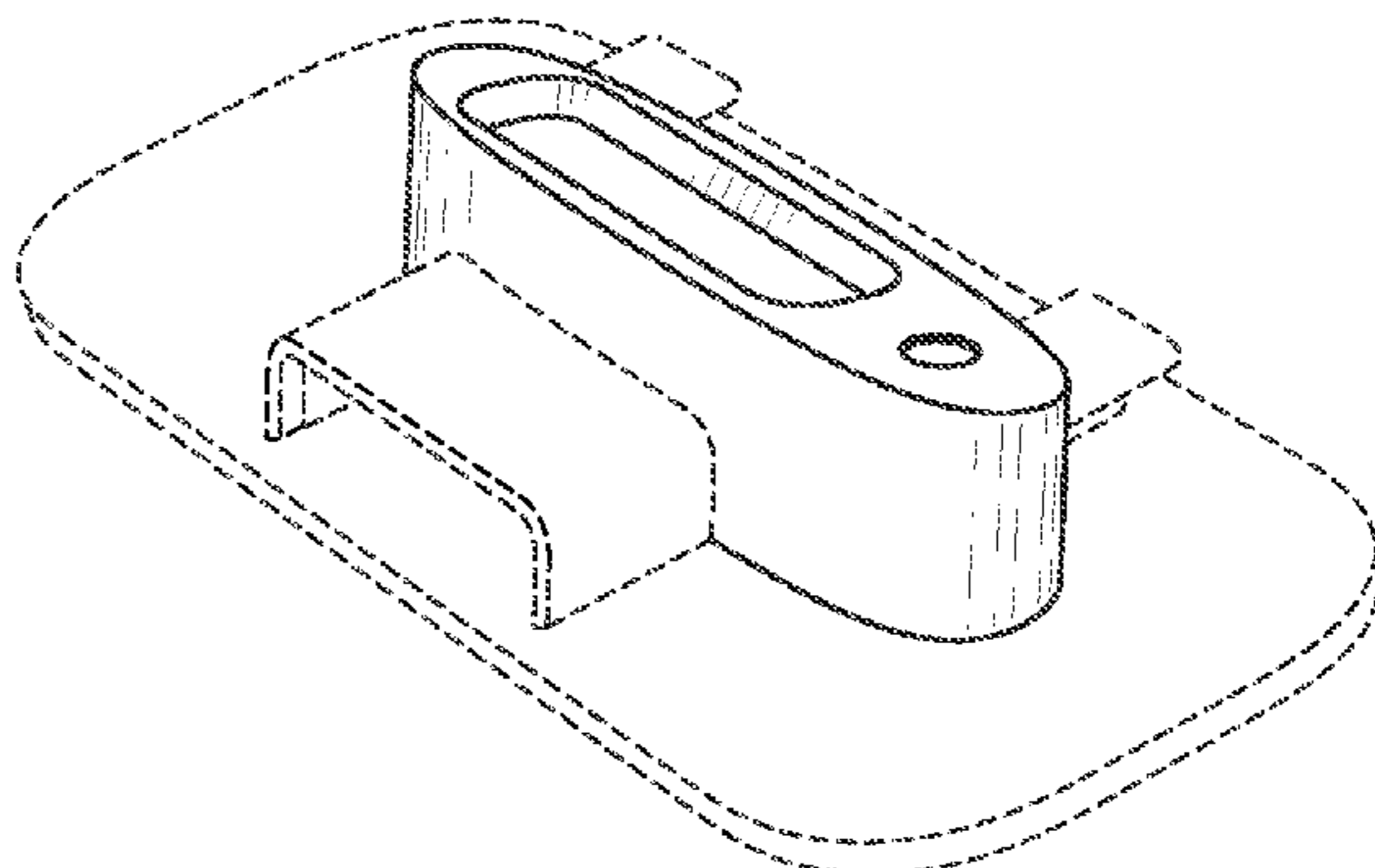
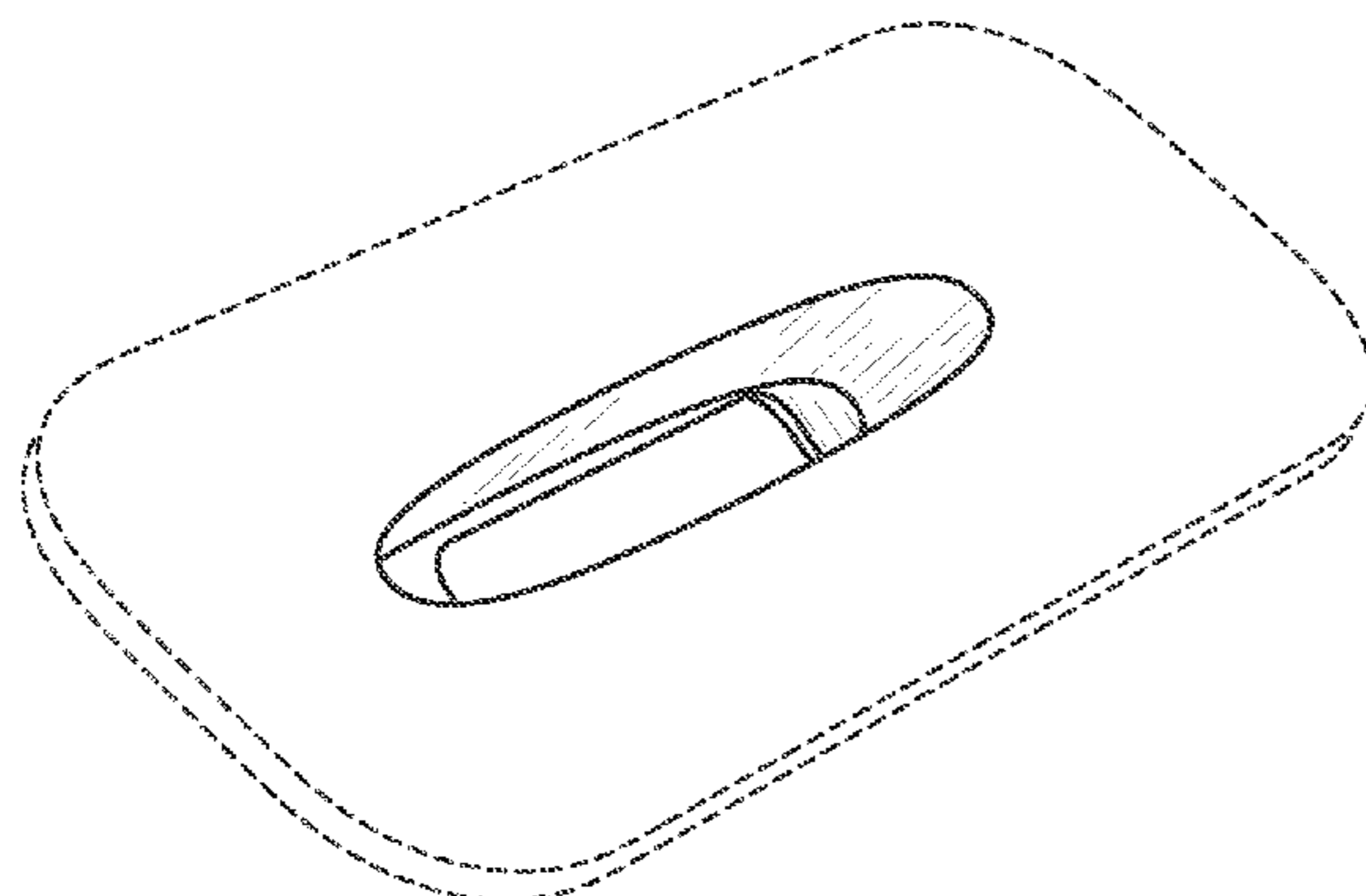
FIG. 6 is a right side view thereof;

FIG. 7 is a top plan view thereof; and,

FIG. 8 is a bottom plan view thereof.

The broken lines in the Figures show portions of the dock insert which form no part of the claimed design.

1 Claim, 3 Drawing Sheets



US D626,116 S

Page 2

U.S. PATENT DOCUMENTS

D558,738 S 1/2008 Andre et al.
D568,297 S 5/2008 Andre et al.
D570,335 S 6/2008 Andre et al.
D578,110 S 10/2008 Andre et al.
D595,265 S 6/2009 Andre et al.
D595,266 S 6/2009 Andre et al.
D596,161 S 7/2009 Andre et al.
D597,079 S 7/2009 Andre et al.

7,580,255 B2 8/2009 Crooijmans et al.
D599,783 S * 9/2009 Andre et al. D14/217
D605,174 S * 12/2009 Andre et al. D14/217
D606,518 S * 12/2009 Andre et al. D14/217
D608,352 S * 1/2010 Andre et al. D14/217

FOREIGN PATENT DOCUMENTS

KR 30-0428472 10/2006

* cited by examiner

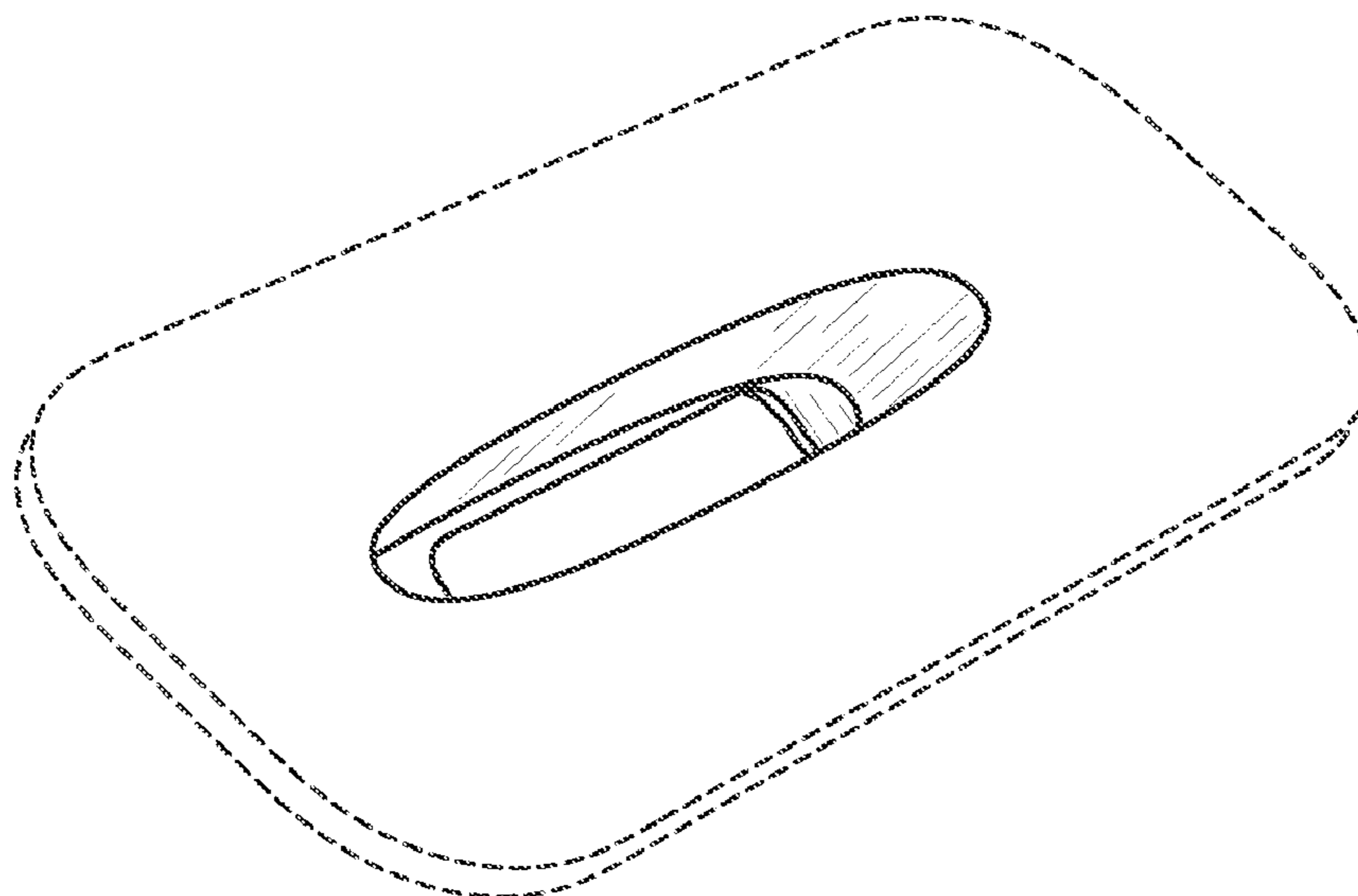


FIG. 1

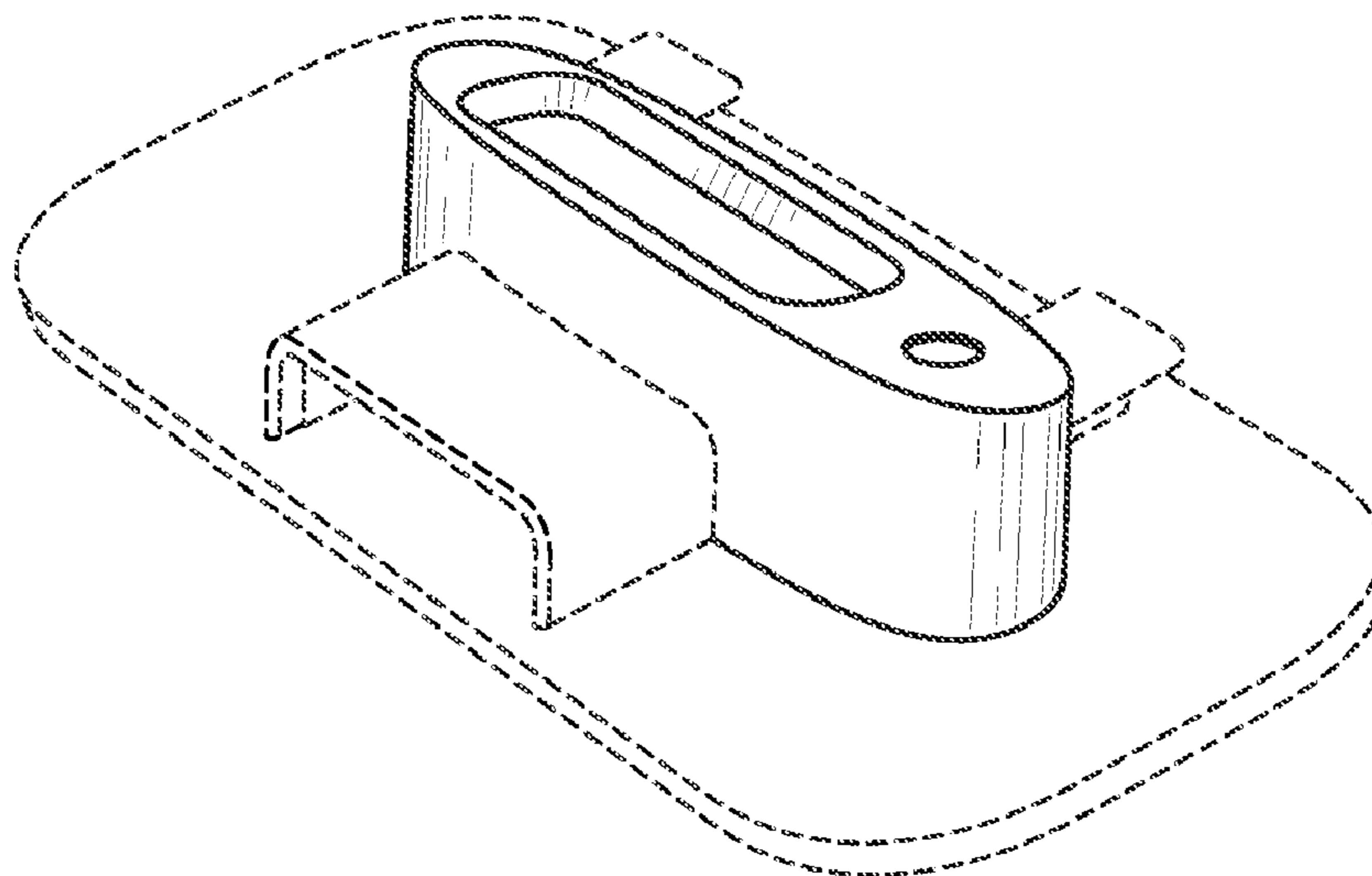


FIG. 2

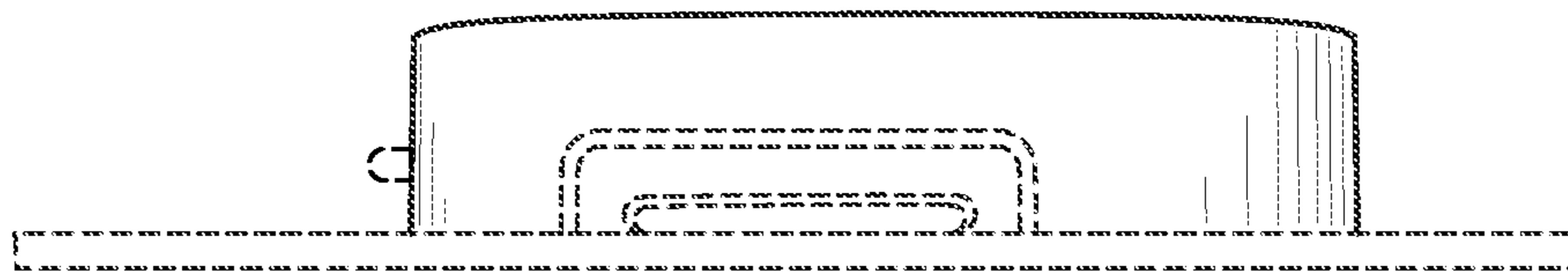


FIG. 3

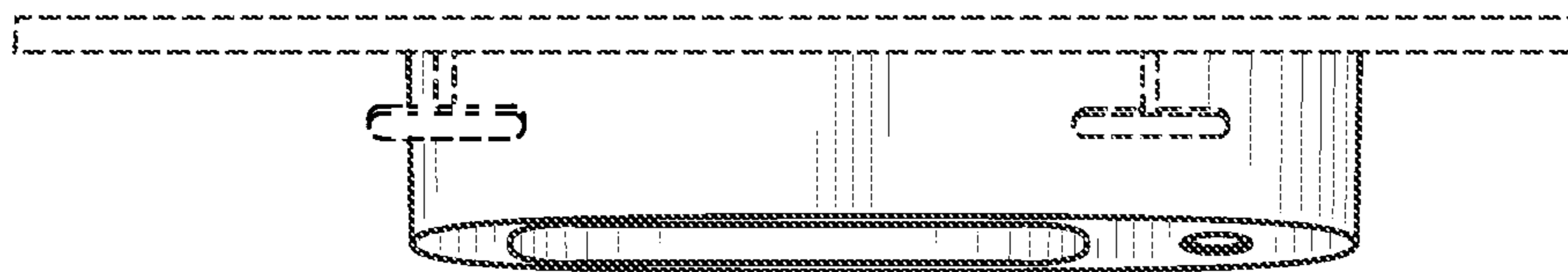


FIG. 4

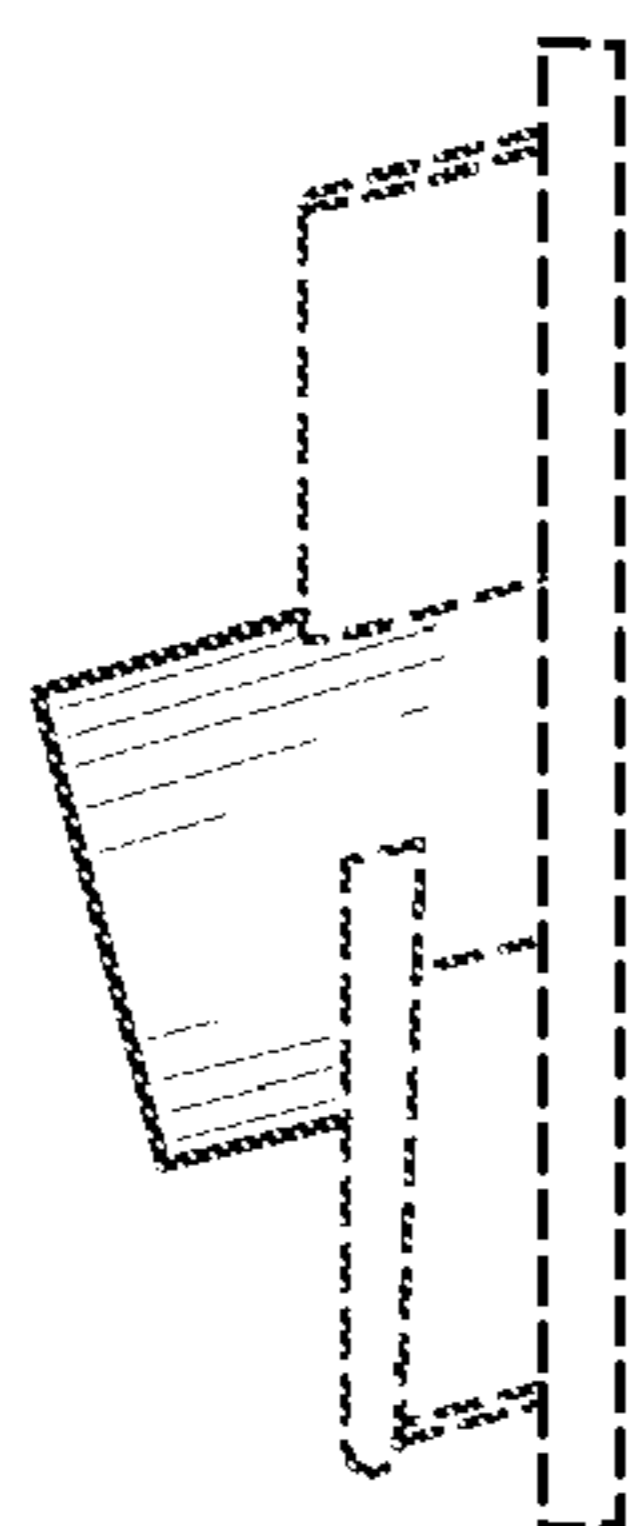


FIG. 5

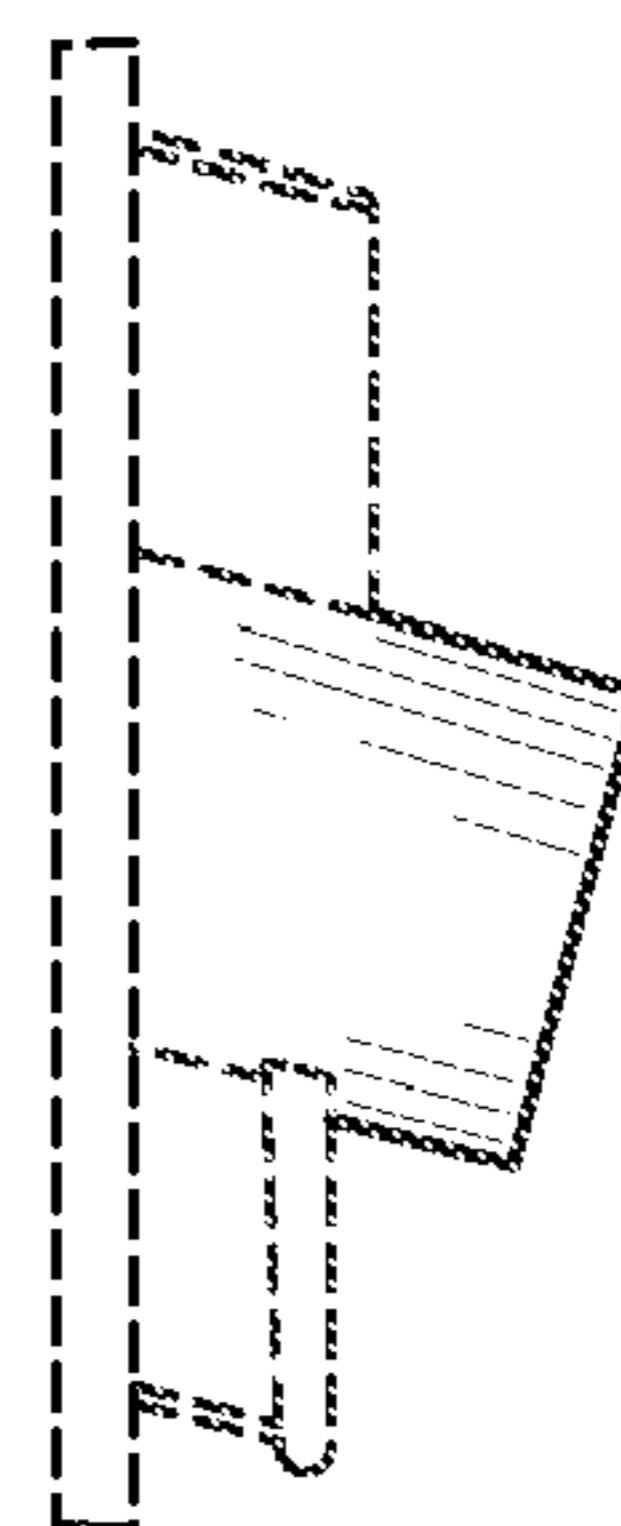


FIG. 6

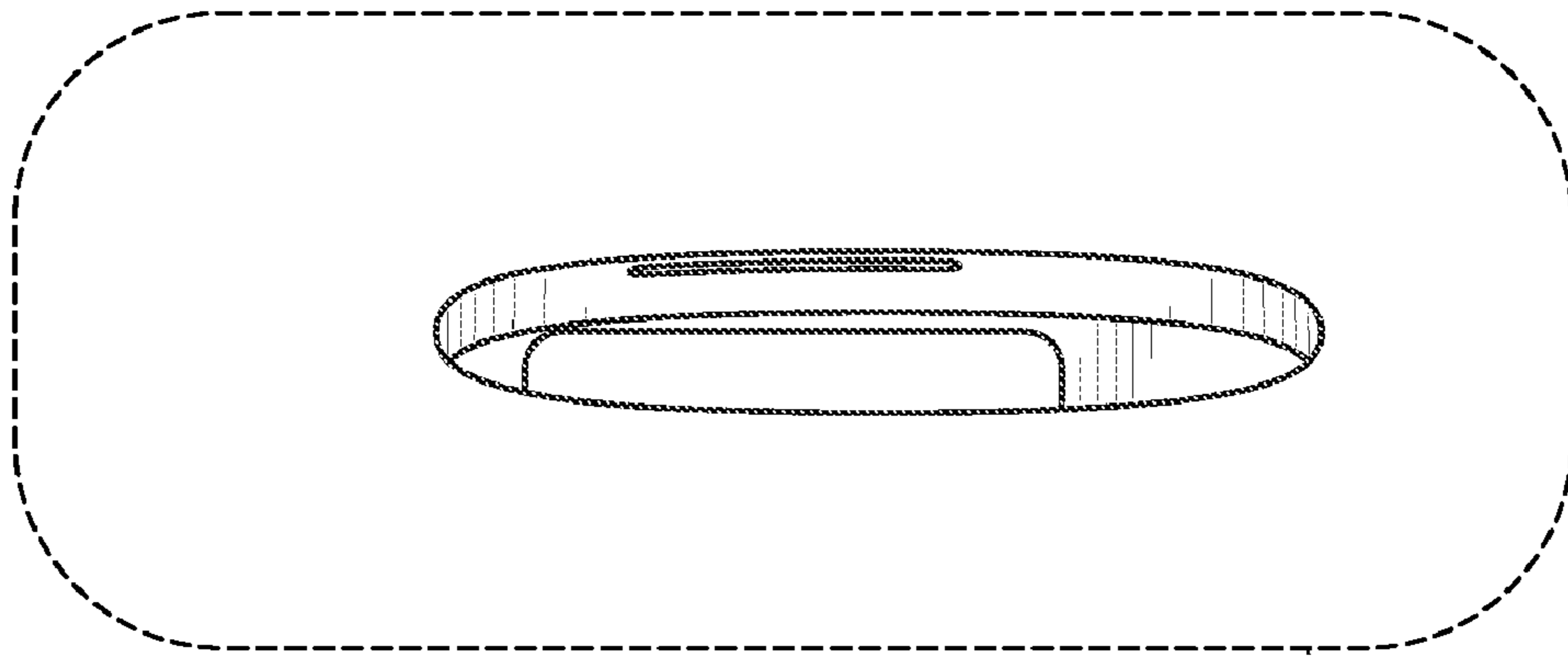


FIG. 7

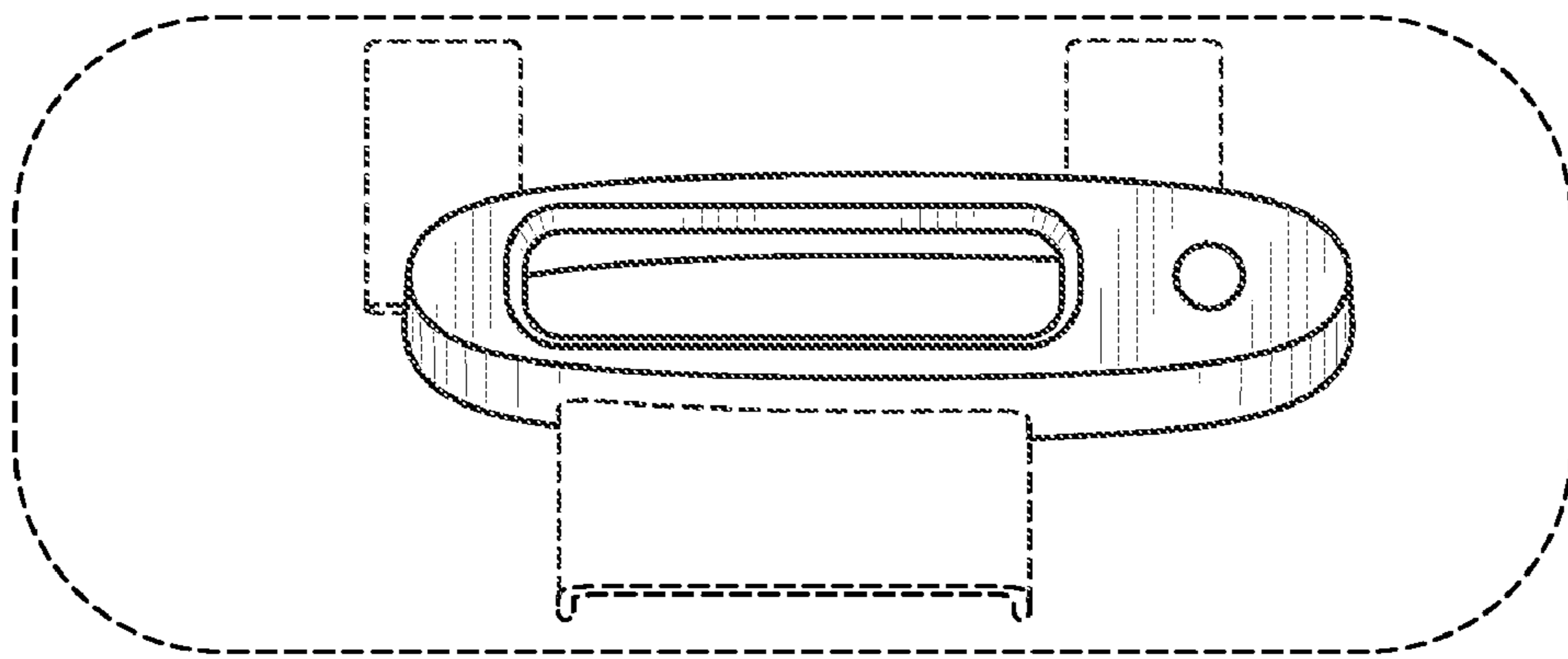


FIG. 8