



US00D626114S

(12) **United States Design Patent**
Hao et al.

(10) **Patent No.:** **US D626,114 S**
(45) **Date of Patent:** **** Oct. 26, 2010**

(54) **SPEAKER**

D531,617 S * 11/2006 Rozier D14/215
D540,784 S * 4/2007 Yoon D14/215

(75) Inventors: **Ju-Lan Hao**, Shenzhen (CN); **Te-Hua Lee**, Taipei Hsien (TW)

(73) Assignee: **Hon Hai Precision Industry Co., Ltd.**, Tu-Cheng, Taipei Hsien (TW)

* cited by examiner

Primary Examiner—Nanda Bondade

(74) *Attorney, Agent, or Firm*—Frank R. Niranjan

(**) Term: **14 Years**

(21) Appl. No.: **29/351,880**

(57) **CLAIM**

(22) Filed: **Dec. 14, 2009**

The ornamental design for a speaker, as shown and described.

(30) **Foreign Application Priority Data**

DESCRIPTION

Nov. 27, 2009 (CN) 200930327073

(51) **LOC (9) Cl.** **14-01**

(52) **U.S. Cl.** **D14/215**

(58) **Field of Classification Search** D14/204,
D14/210–216, 172; 181/143–144, 147–148,
181/150–153, 157, 198–199; 381/300–303,
381/306, 332–333, 336, 345, 361–364, 386–388
See application file for complete search history.

FIG. 1 is a perspective view of a speaker showing our design;
FIG. 2 is a front elevational view thereof;
FIG. 3 is a rear elevational view thereof;
FIG. 4 is a left side, elevational view thereof;
FIG. 5 is a right side, elevational view thereof;
FIG. 6 is a top plan view thereof; and,
FIG. 7 is a bottom plan view thereof.

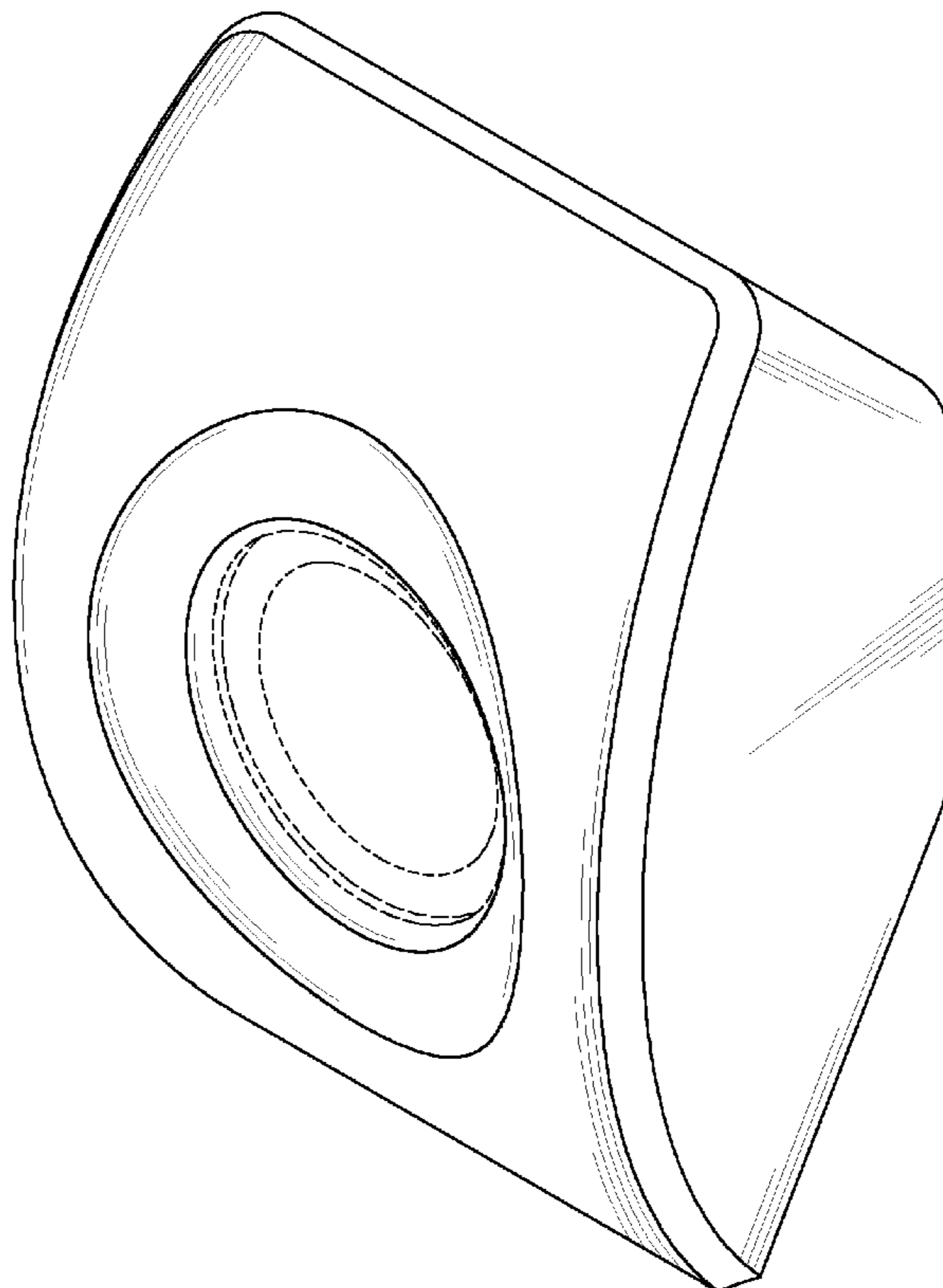
The broken line showing is for the purpose of illustrating and forms no part of the claimed design.

(56) **References Cited**

U.S. PATENT DOCUMENTS

D188,326 S * 7/1960 Levy et al. D14/214
D512,046 S * 11/2005 Christianson D14/211

1 Claim, 7 Drawing Sheets



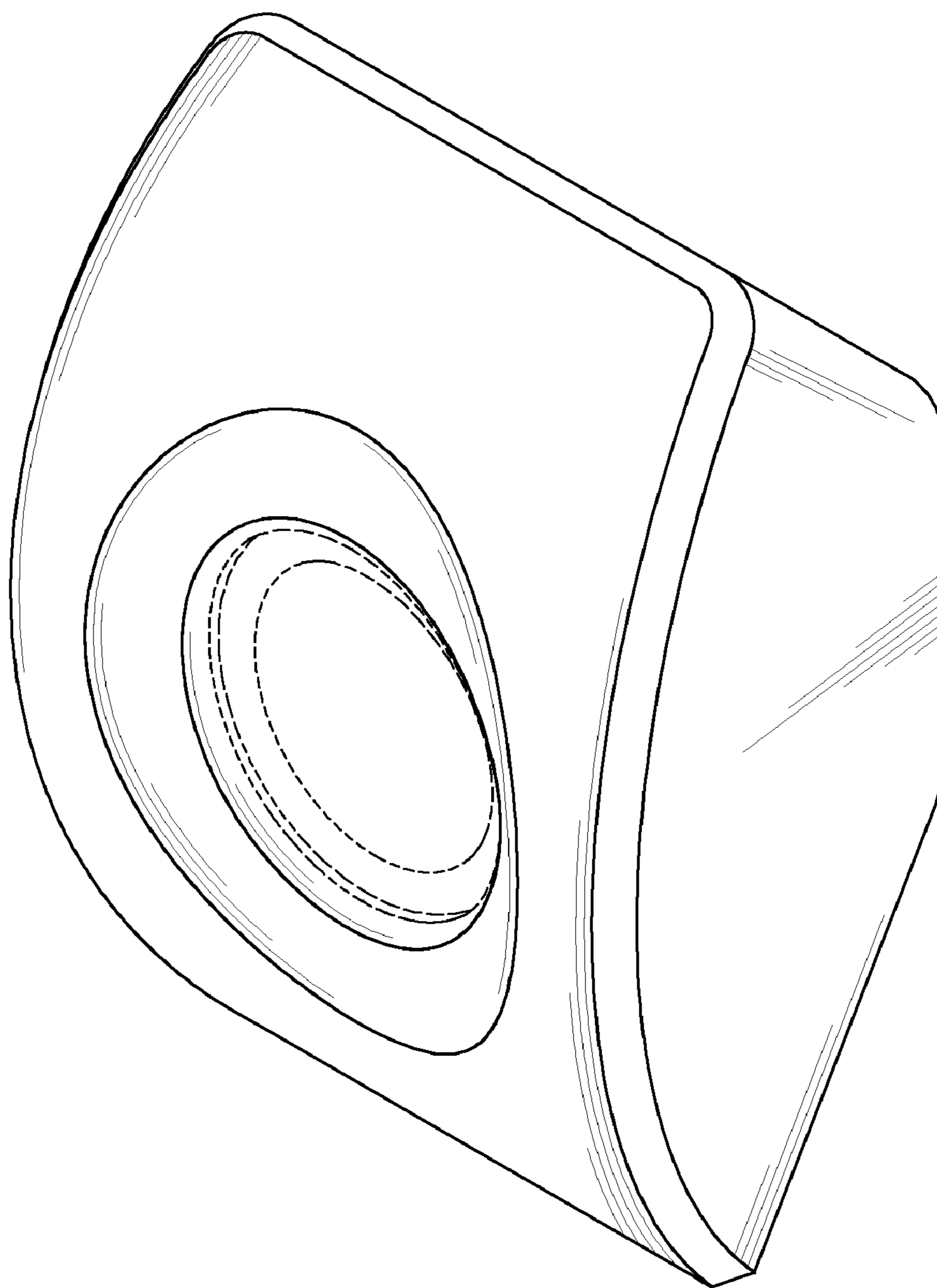


FIG. 1

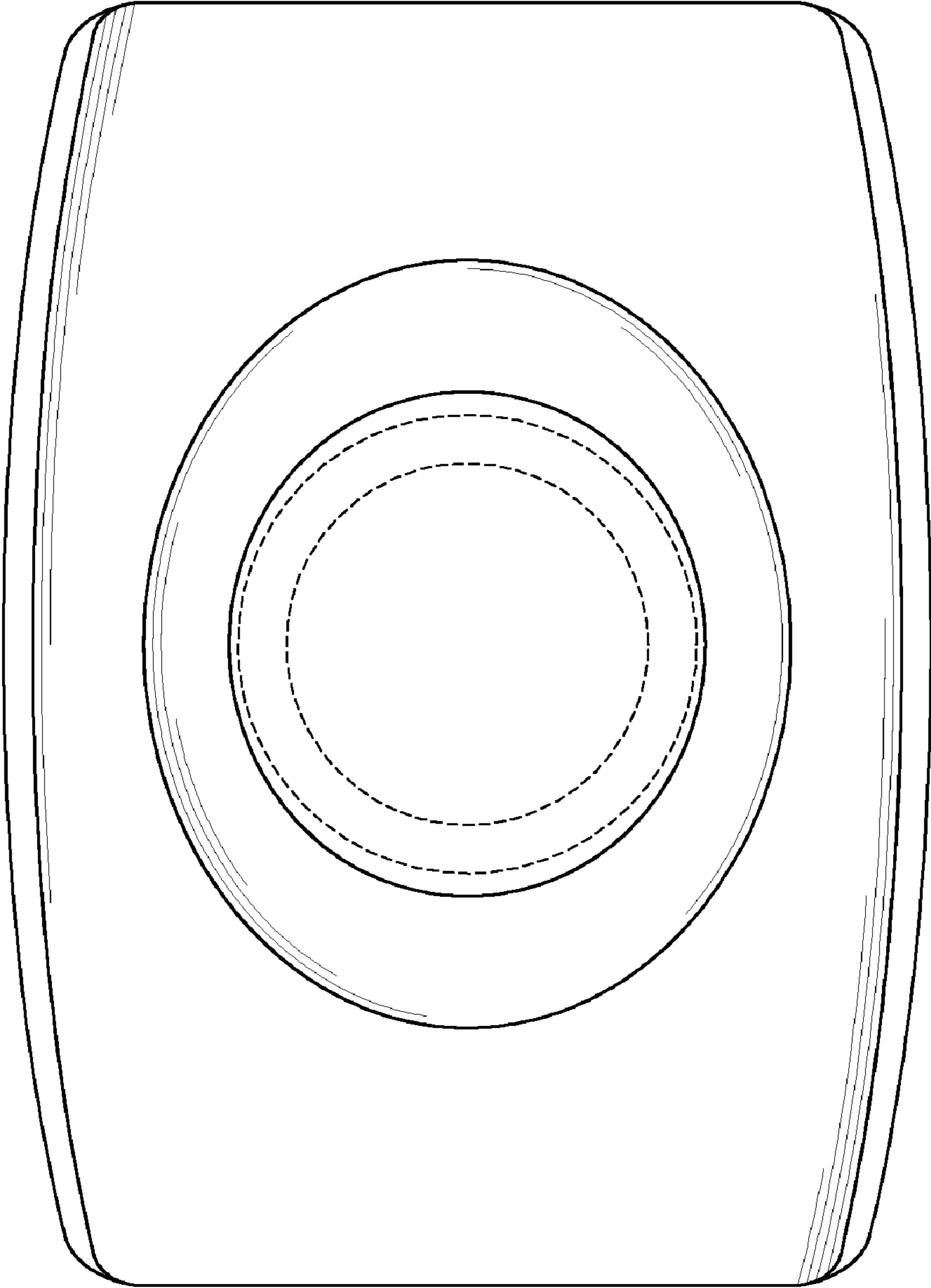


FIG. 2

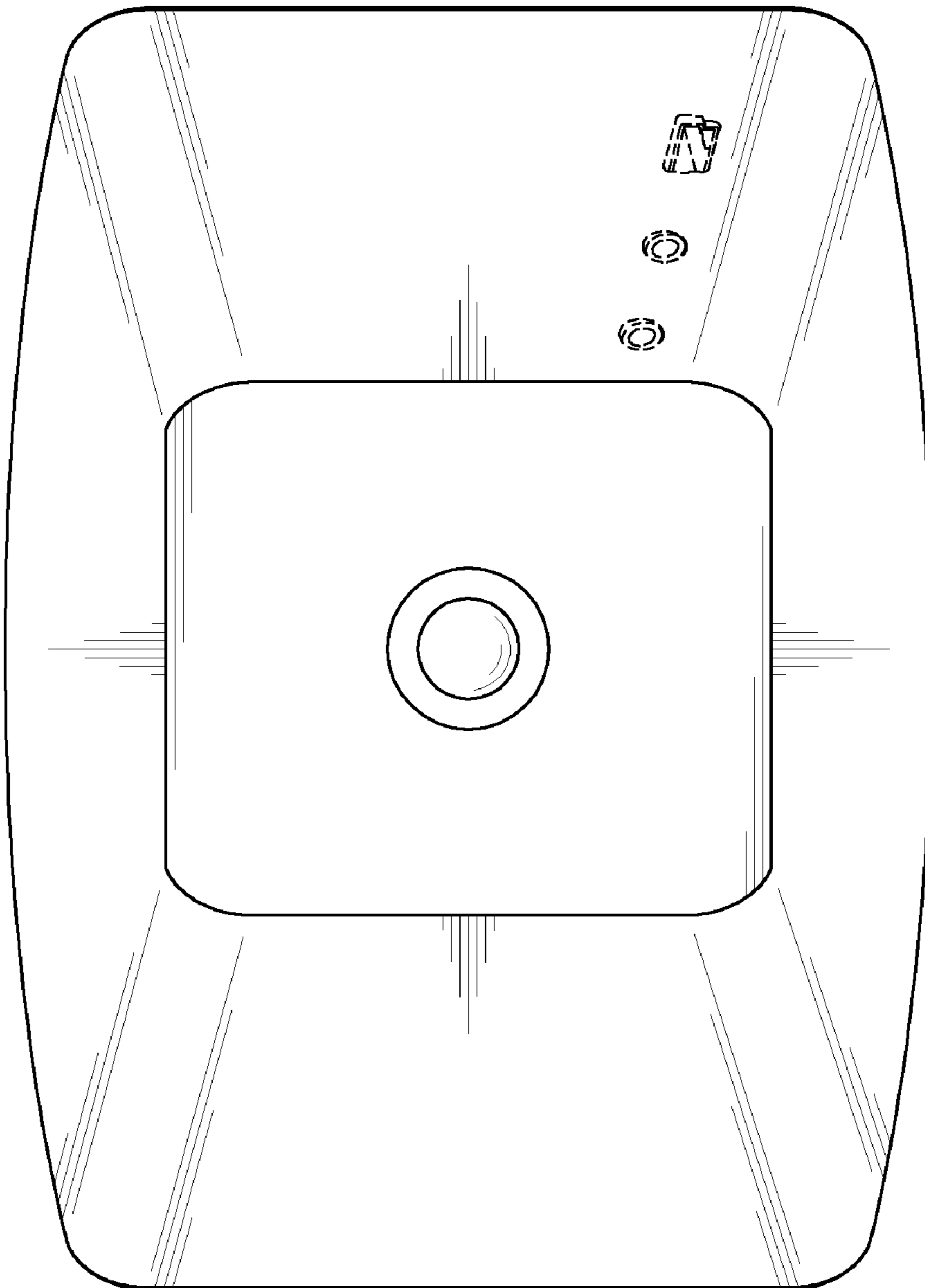


FIG. 3

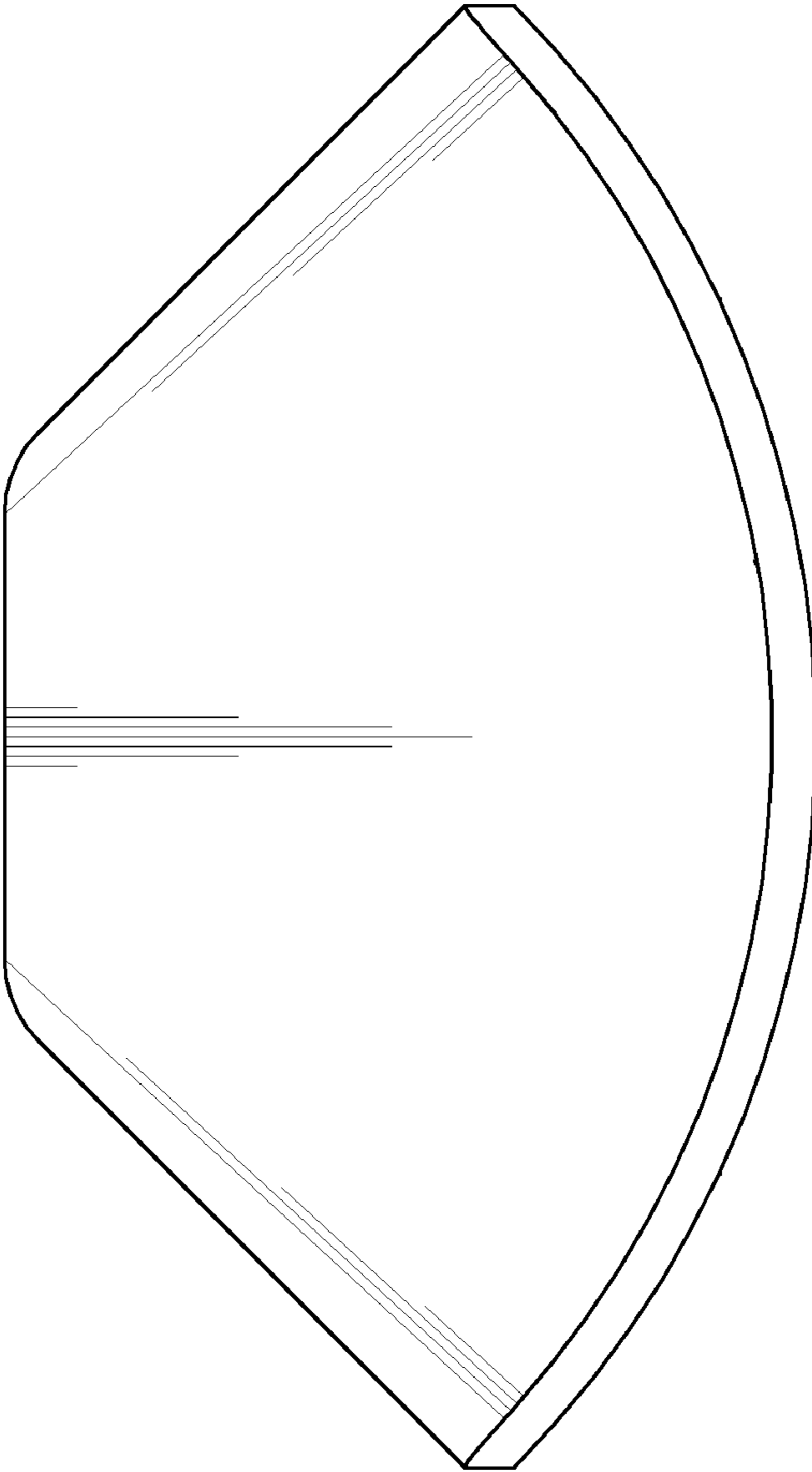


FIG. 4

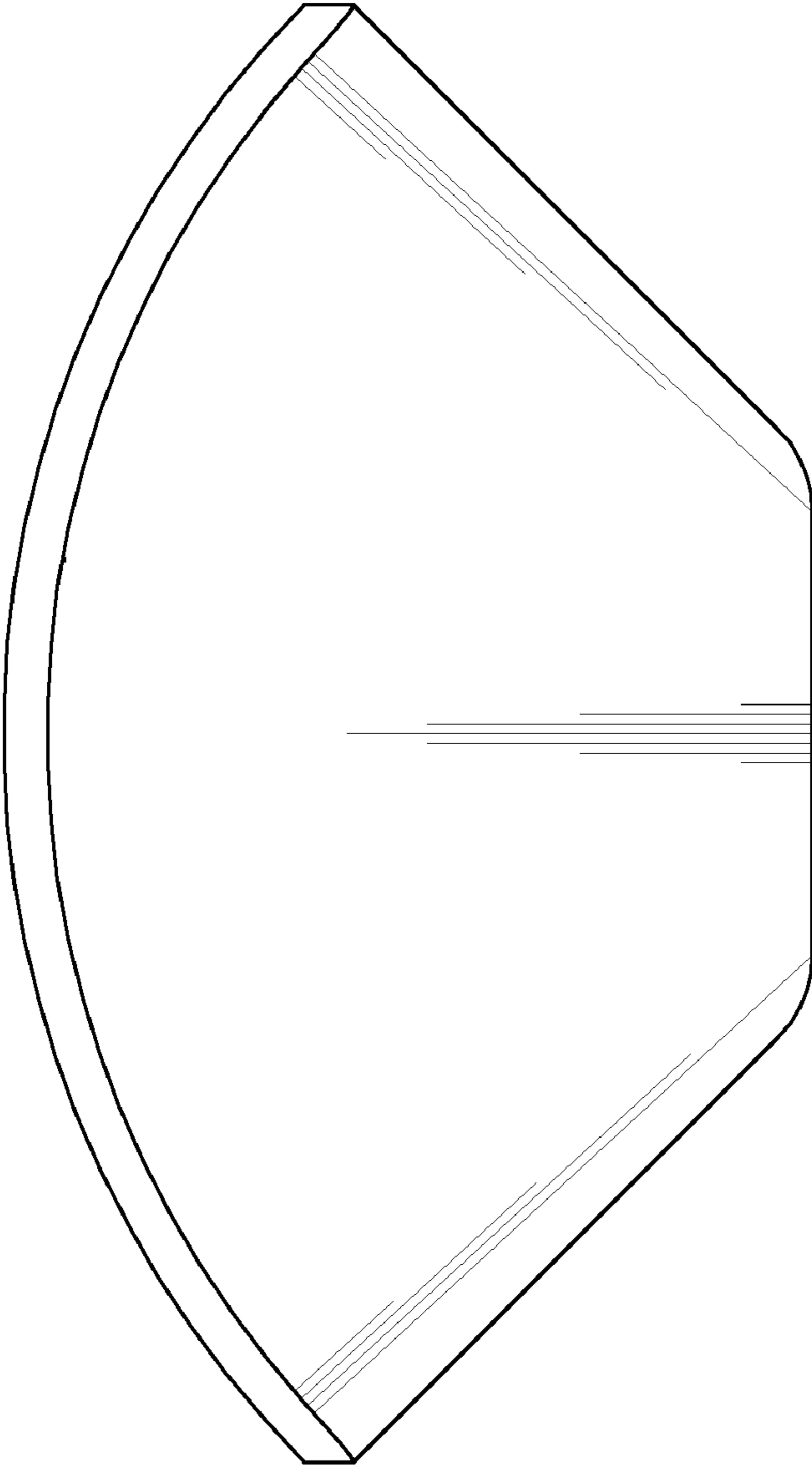


FIG. 5

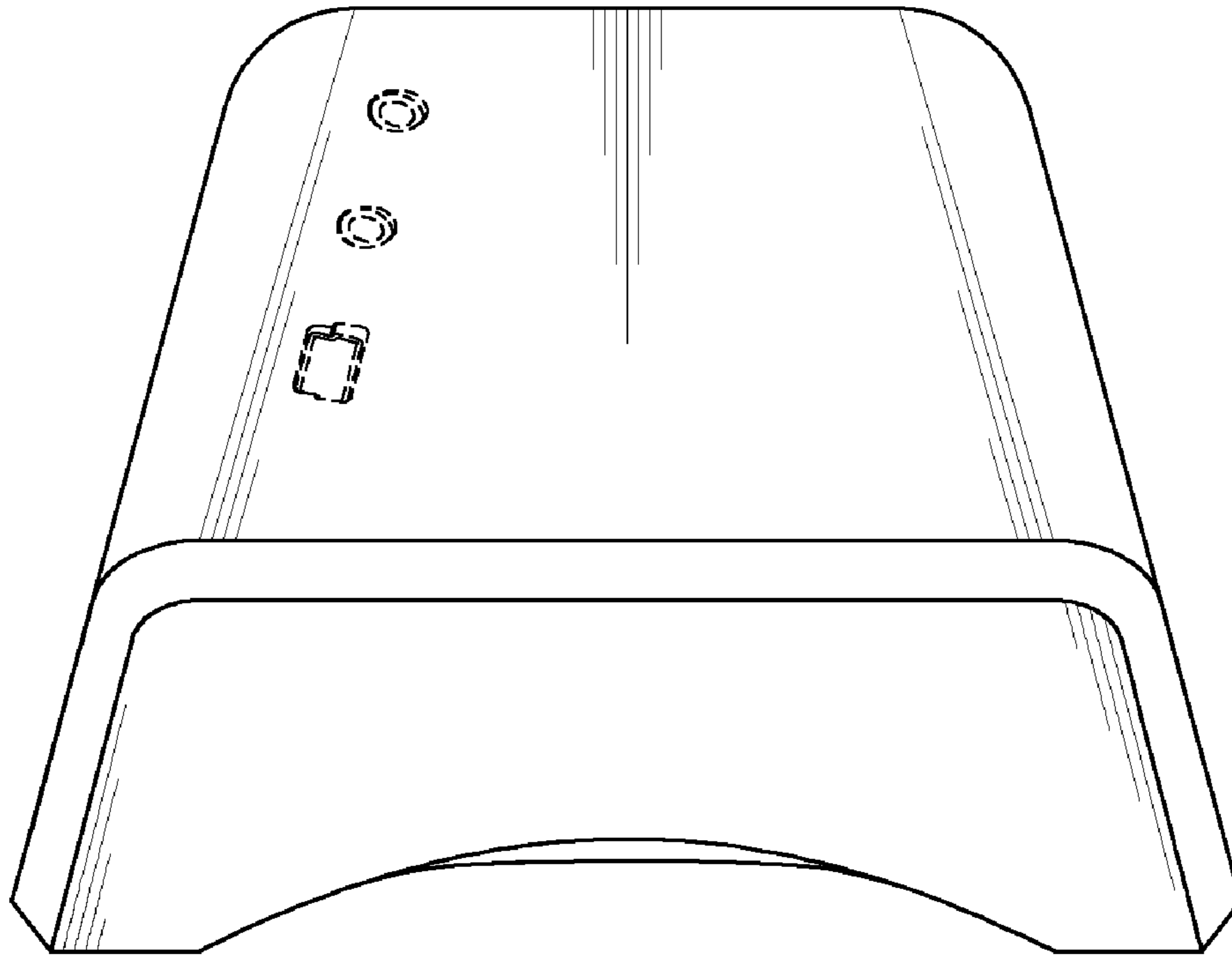


FIG. 6

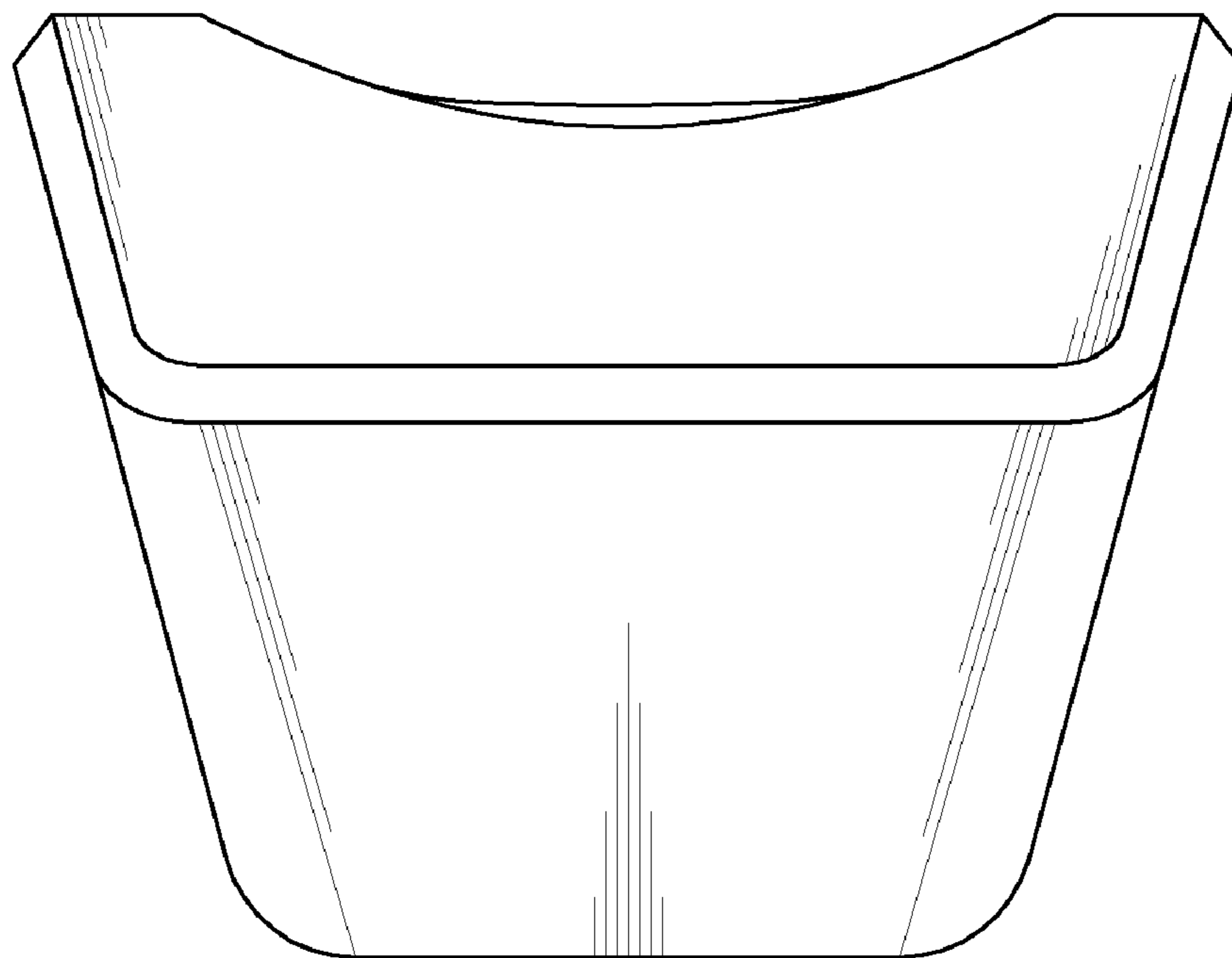


FIG. 7