



US00D626113S

(12) **United States Design Patent**  
**Yoshida**

(10) **Patent No.:** **US D626,113 S**

(45) **Date of Patent:** **\*\* \*Oct. 26, 2010**

(54) **SPEAKER UNIT**

D578,997 S \* 10/2008 Takuma ..... D14/172  
D589,929 S \* 4/2009 Okamura et al. .... D14/211

(75) Inventor: **Shunji Yoshida**, Tokyo (JP)

(73) Assignee: **Mitsubishi Electric Engineering Company, Limited**, Tokyo (JP)

(\* ) Notice: This patent is subject to a terminal disclaimer.

(\*\*) Term: **14 Years**

(21) Appl. No.: **29/345,043**

(22) Filed: **Oct. 8, 2009**

(30) **Foreign Application Priority Data**

May 29, 2009 (JP) ..... 2009-012073

(51) **LOC (9) Cl.** ..... **14-01**

(52) **U.S. Cl.** ..... **D14/214**

(58) **Field of Classification Search** ..... D14/204,  
D14/210–216, 172; 181/143–144, 147–148,  
181/150–153, 157, 198–199; 381/300–303,  
381/306, 332–333, 336, 345, 361–364, 386–388  
See application file for complete search history.

(56) **References Cited**

**U.S. PATENT DOCUMENTS**

D472,542 S \* 4/2003 Oikawa ..... D14/172  
D520,494 S \* 5/2006 Aiba et al. .... D14/214

**OTHER PUBLICATIONS**

Commonly assigned co-pending U.S. Appl. No. 29/345,037, filed Oct. 8, 2009, entitled Speaker Unit.

\* cited by examiner

*Primary Examiner*—Nanda Bondade

(74) *Attorney, Agent, or Firm*—Van Dyke, Gardner, Linn & Burkhart, LLP

(57) **CLAIM**

The ornamental design for the speaker unit, substantially as shown and described.

**DESCRIPTION**

FIG. 1 is a perspective view of the speaker unit of an embodiment of the present invention;

FIG. 2 is a front elevation view of the speaker unit of FIG. 1;

FIG. 3 is a rear elevation view of the speaker unit of FIG. 1;

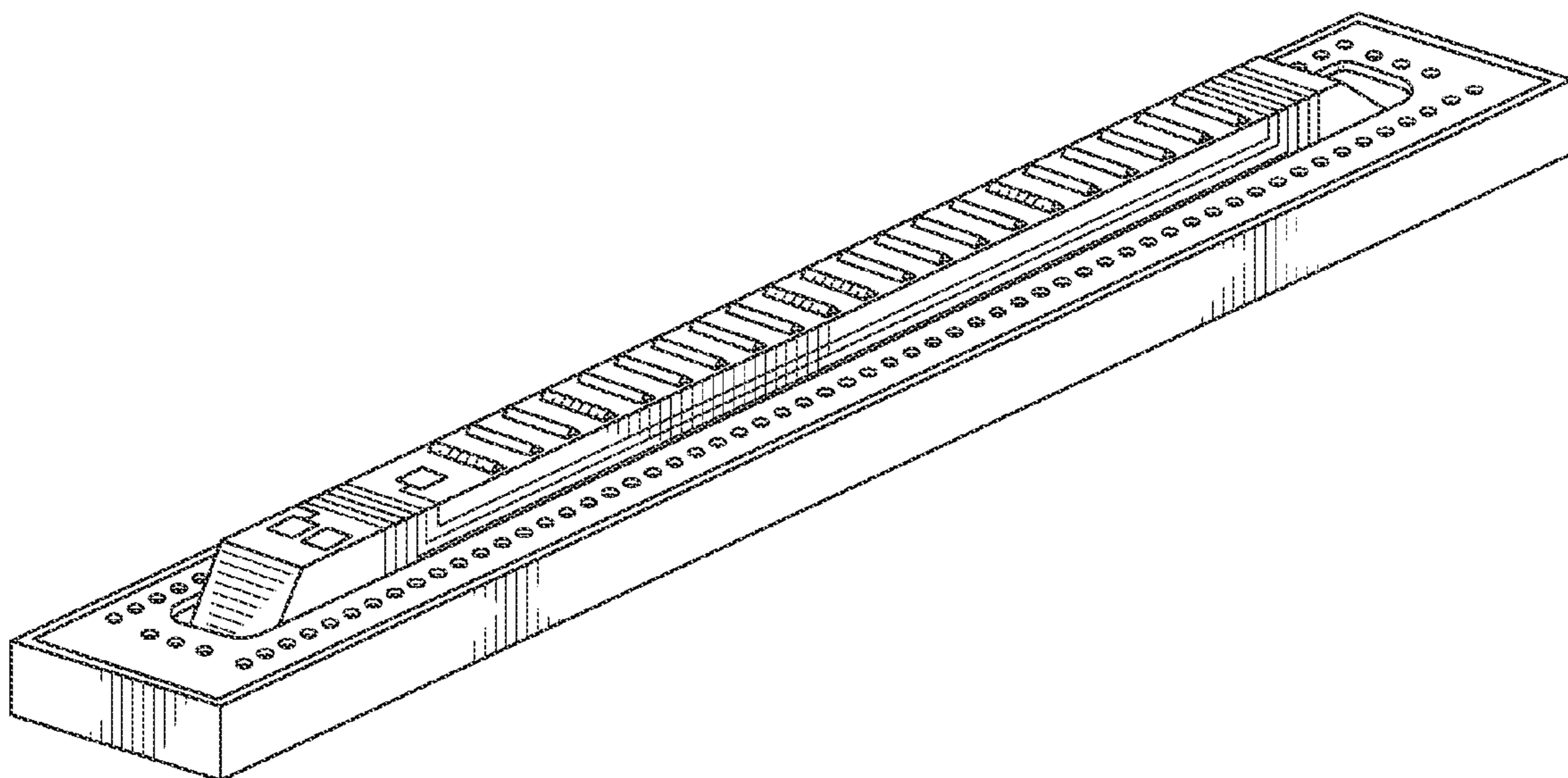
FIG. 4 is a right-side elevation view of the speaker unit of FIG. 1;

FIG. 5 is a left-side elevation view of the speaker unit of FIG. 1;

FIG. 6 is a top plan view of the speaker unit of FIG. 1; and,

FIG. 7 is a bottom plan view of the speaker unit of FIG. 1.

**1 Claim, 4 Drawing Sheets**



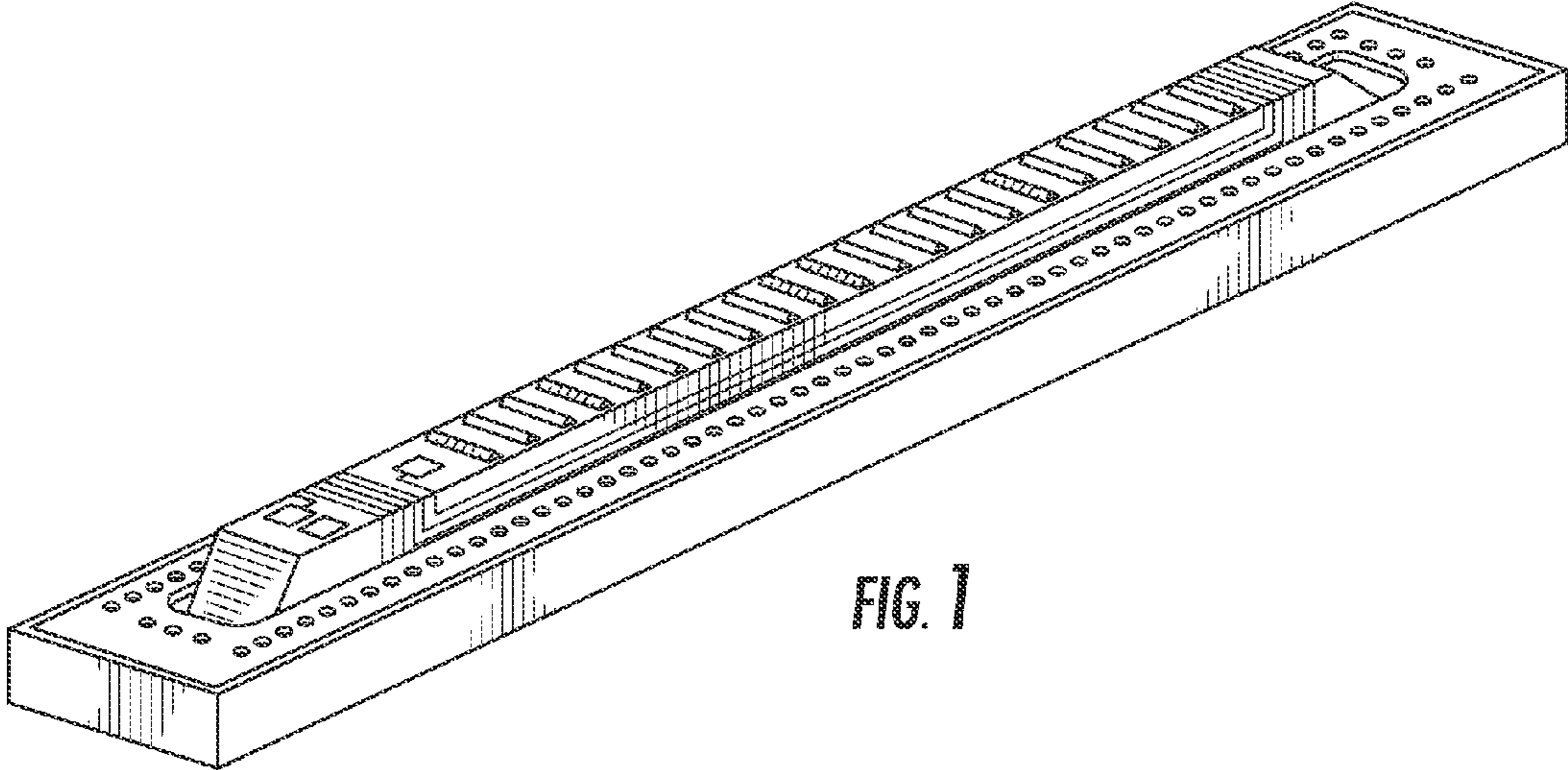


FIG. 1

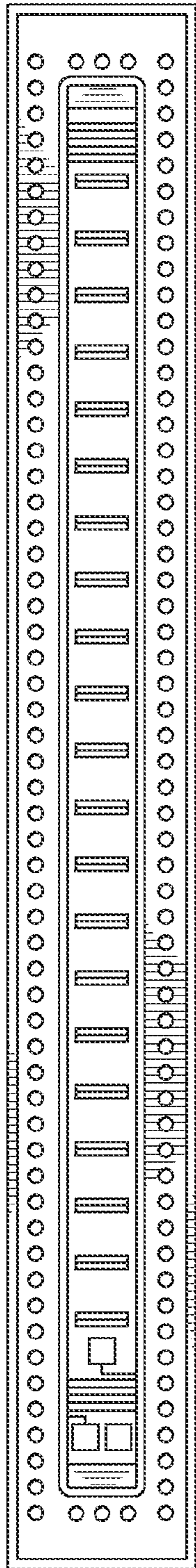


FIG. 2

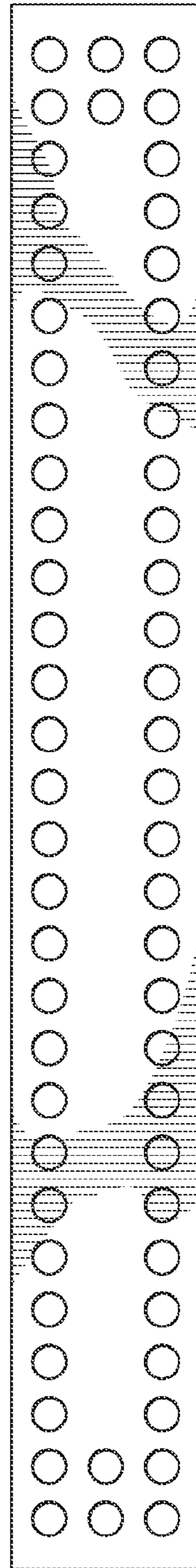
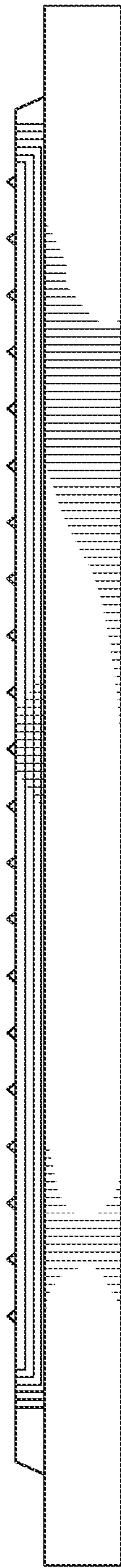
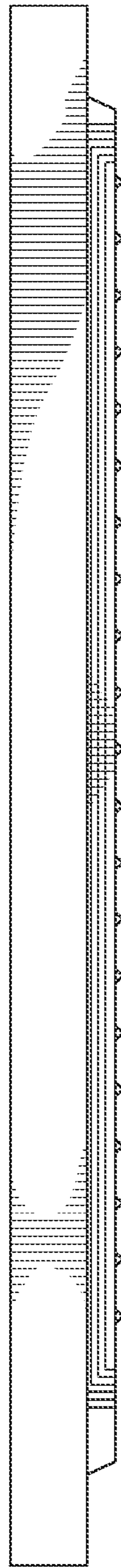


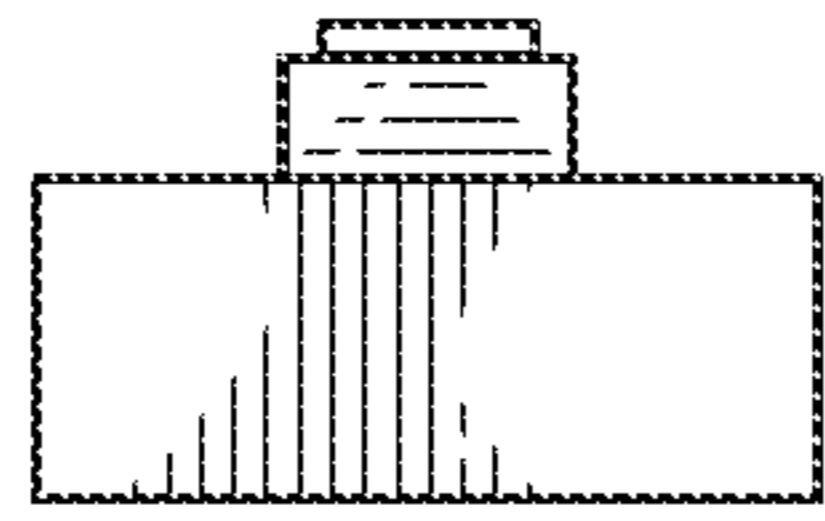
FIG. 3



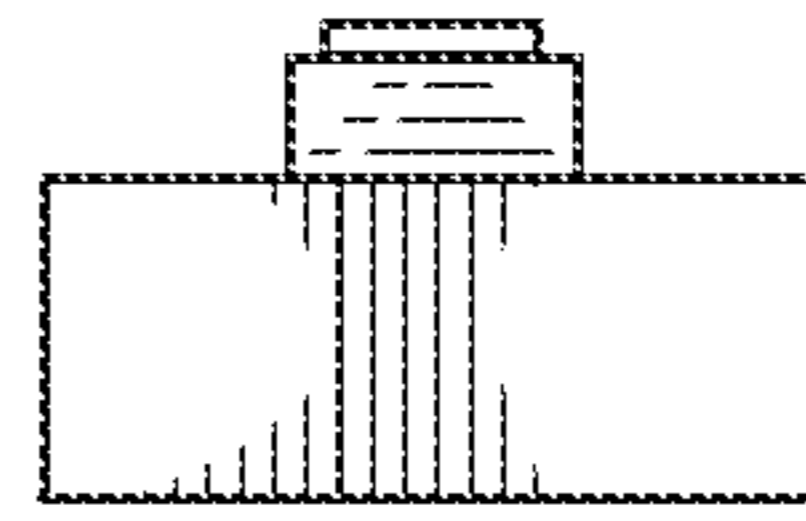
**FIG. 4**



**FIG. 5**



**FIG. 6**



**FIG. 7**