



US00D626112S

(12) **United States Design Patent**
Kao et al.

(10) **Patent No.:** **US D626,112 S**
(45) **Date of Patent:** **** Oct. 26, 2010**

(54) **EARPHONE ASSEMBLY**

(75) Inventors: **Hsing-Yi Kao**, Tu-Cheng (TW);
Kun-Wei Tsai, Tu-Cheng (TW)

(73) Assignee: **Cheng Uei Precision Industry Co., Ltd.**, Tu-Cheng, Taipei Hsien (TW)

(**) Term: **14 Years**

(21) Appl. No.: **29/346,883**

(22) Filed: **Nov. 7, 2009**

(51) **LOC (9) Cl.** **14-01**

(52) **U.S. Cl.** **D14/205; D14/225**

(58) **Field of Classification Search** D14/205,
D14/206, 223, 225; 181/129, 130, 135; 379/430,
379/433.01, 420.02, 420.03; 381/322, 380,
381/381, 374, 375, 384, 385; 455/90.3, 569.1,
455/569.2

See application file for complete search history.

(56) **References Cited**

U.S. PATENT DOCUMENTS

1,973,410	A *	9/1934	Greibach	381/418
2,754,365	A *	7/1956	Walters	381/322
D316,550	S *	4/1991	Sogabe	D14/168
5,222,151	A *	6/1993	Nagayoshi et al.	381/380
6,122,369	A *	9/2000	Hwang et al.	379/420.04
D460,432	S *	7/2002	Brown	D14/203.5
6,438,248	B1 *	8/2002	Kamimura et al.	381/374
D469,753	S *	2/2003	Andre et al.	D14/205
D511,157	S *	11/2005	Johnson	D14/223
D517,052	S *	3/2006	Skulley	D14/223
D520,991	S *	5/2006	Ma et al.	D14/240
D526,642	S *	8/2006	Choe	D14/205
7,130,439	B2 *	10/2006	Chen	381/376

7,139,405	B1 *	11/2006	Grattan et al.	381/375
7,139,590	B2 *	11/2006	Liu et al.	455/557
D558,735	S *	1/2008	Carr et al.	D14/206
D561,739	S *	2/2008	Ikeda et al.	D14/206
D565,023	S *	3/2008	Yamagishi	D14/205
D567,216	S *	4/2008	Densho	D14/205
D574,368	S *	8/2008	Chapman	D14/225
D590,371	S *	4/2009	Leinvuo	D14/205
D590,372	S *	4/2009	Melin	D14/206
D598,894	S *	8/2009	Masuda et al.	D14/205
D606,971	S *	12/2009	Christopher et al.	D14/205
D610,129	S *	2/2010	Densho et al.	D14/223

* cited by examiner

Primary Examiner—Paula Greene

(74) *Attorney, Agent, or Firm*—Cheng-Ju Chiang

(57) **CLAIM**

The ornamental design for an earphone assembly, as shown and described.

DESCRIPTION

FIG. 1 is a perspective view of an earphone assembly showing our new design, the cord is drawn broken away for purposes of illustration to show indeterminate length;

FIG. 2 is a front elevational view thereof;

FIG. 3 is a rear elevational view thereof;

FIG. 4 is a left side elevational view thereof;

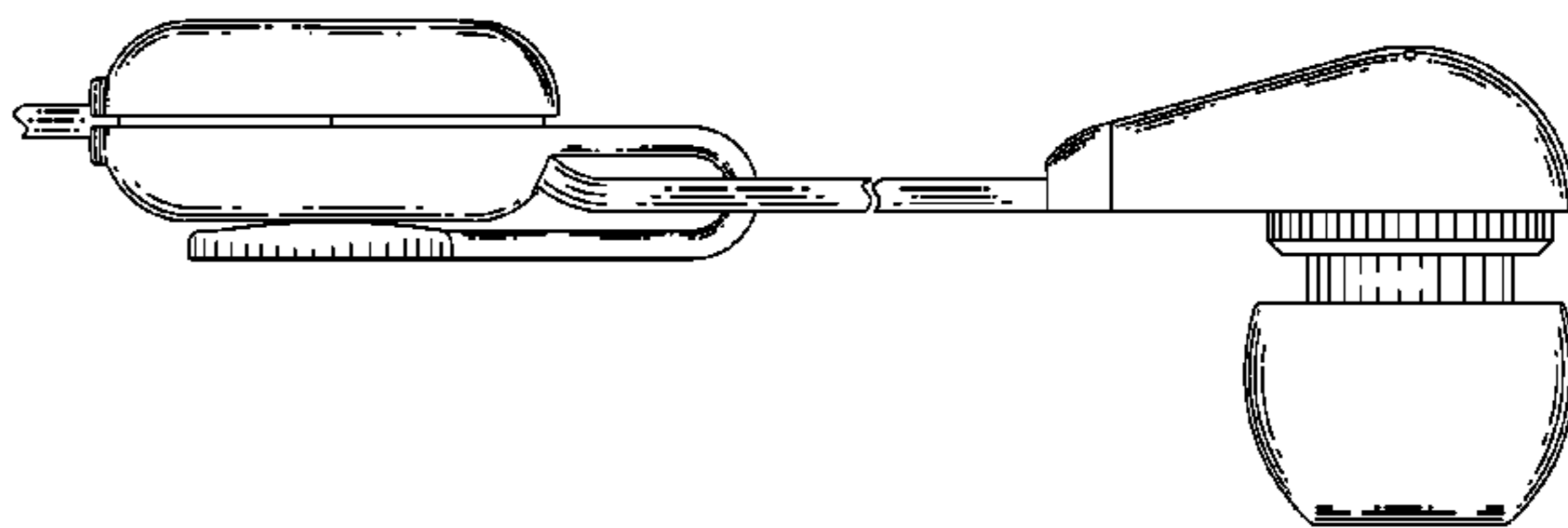
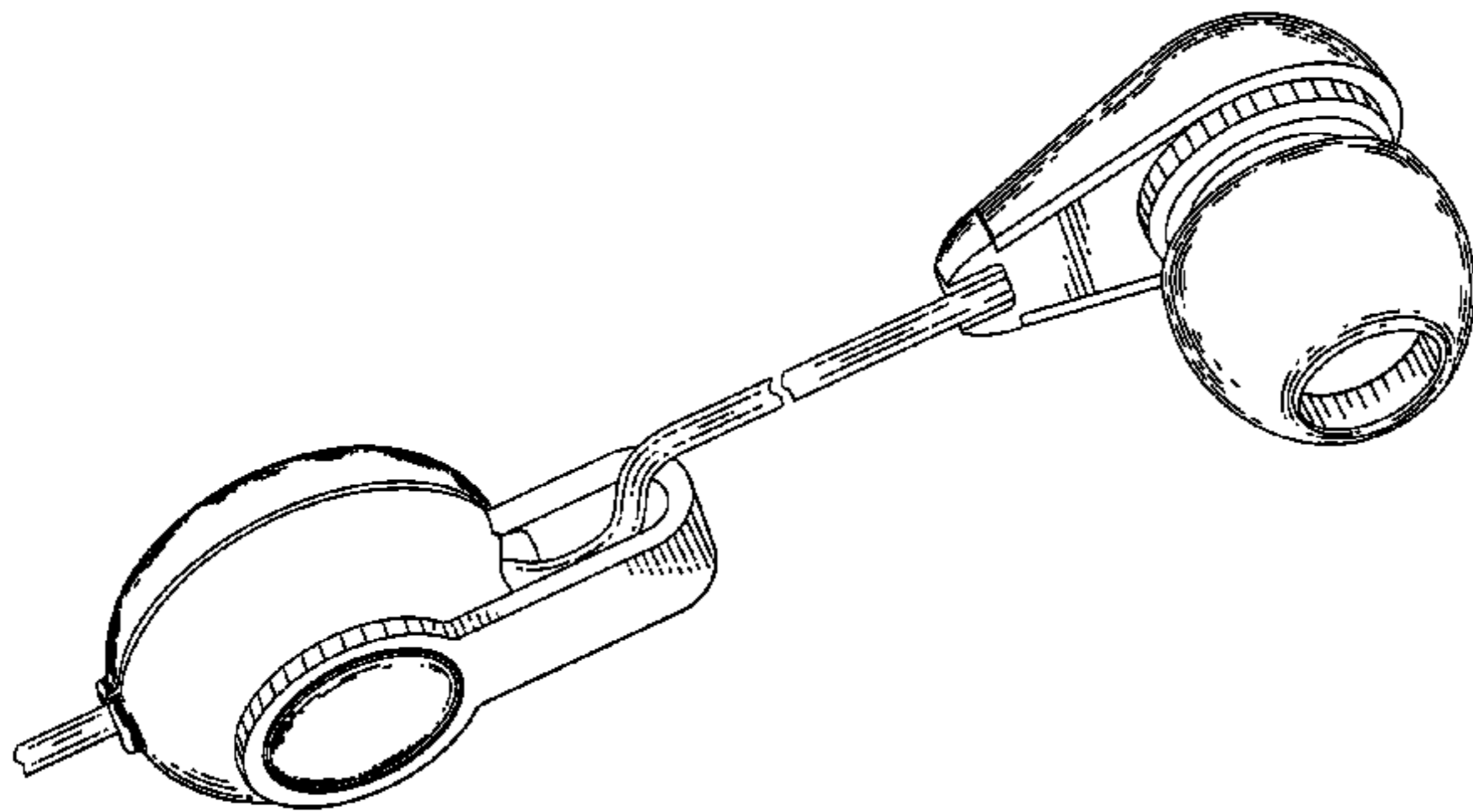
FIG. 5 is a right side elevational view thereof;

FIG. 6 is a top plan view thereof;

FIG. 7 is a bottom plan view thereof; and,

FIG. 8 is another perspective view of the earphone assembly showing our new design.

1 Claim, 8 Drawing Sheets



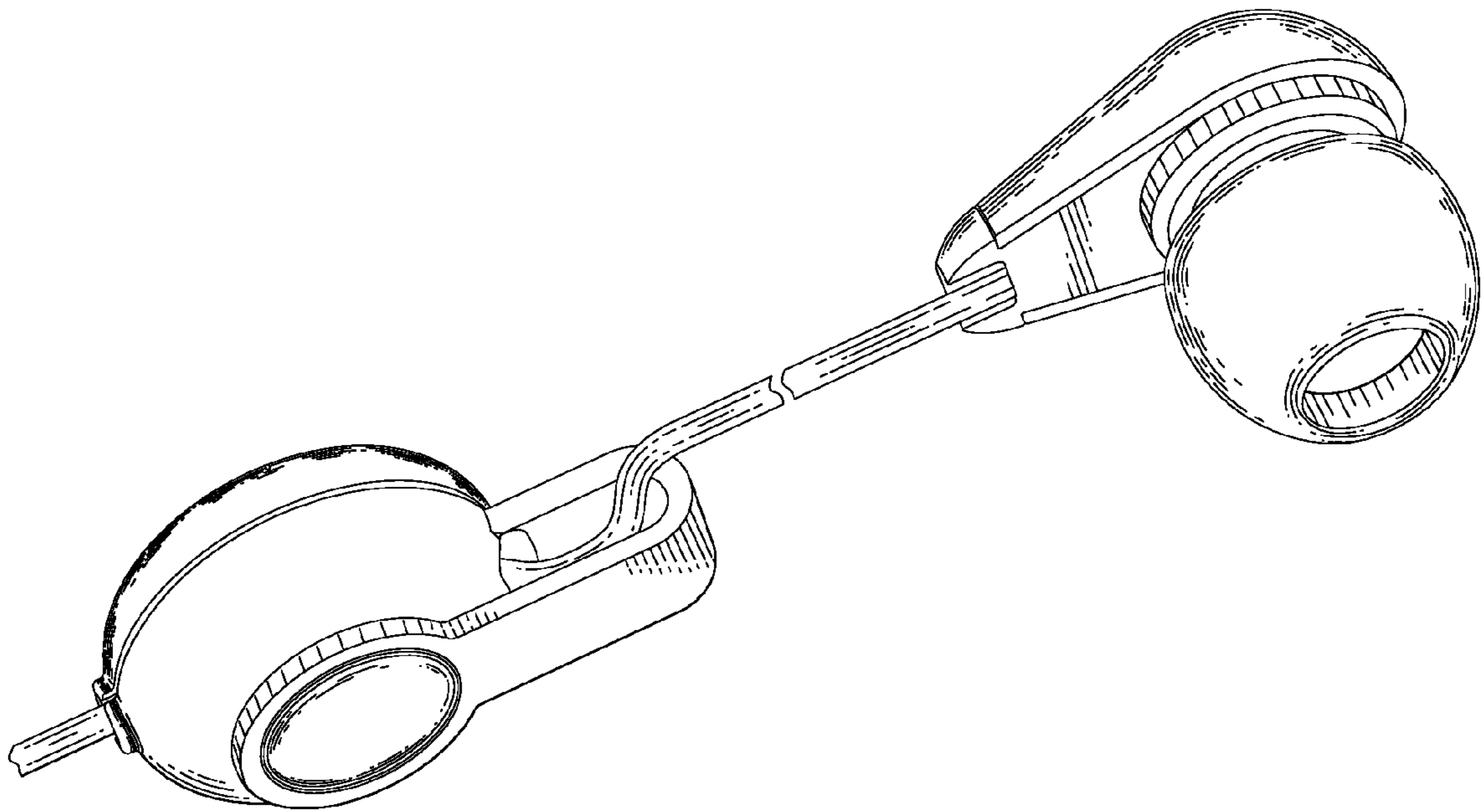


FIG. 1

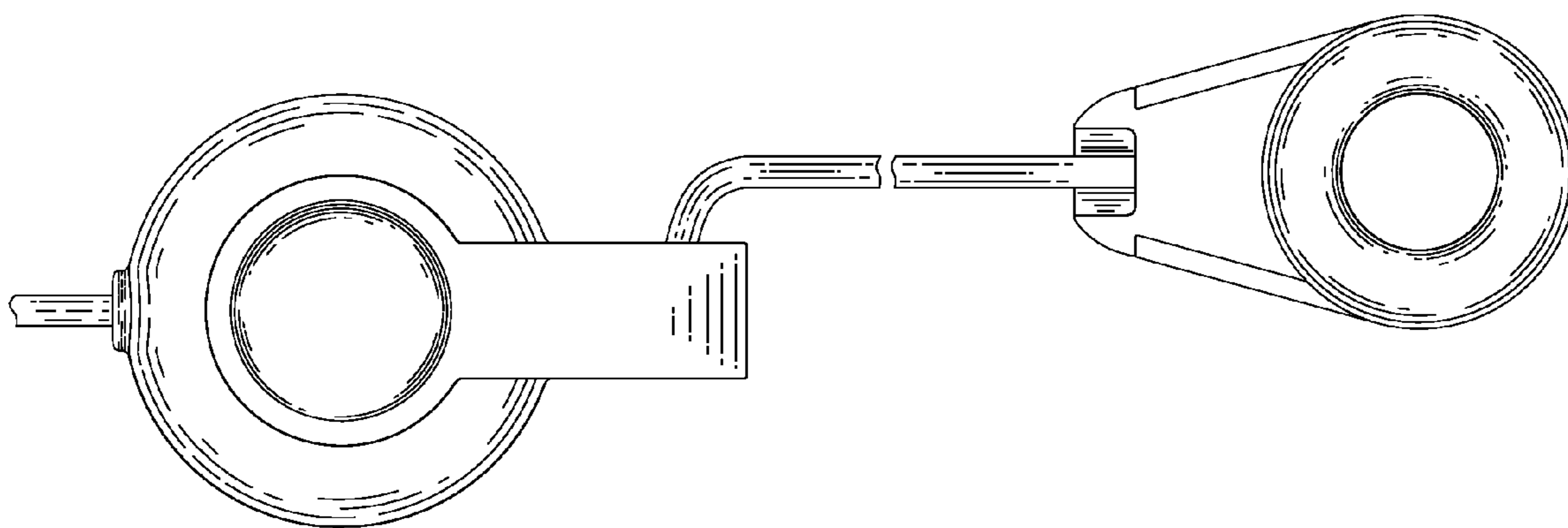


FIG. 2

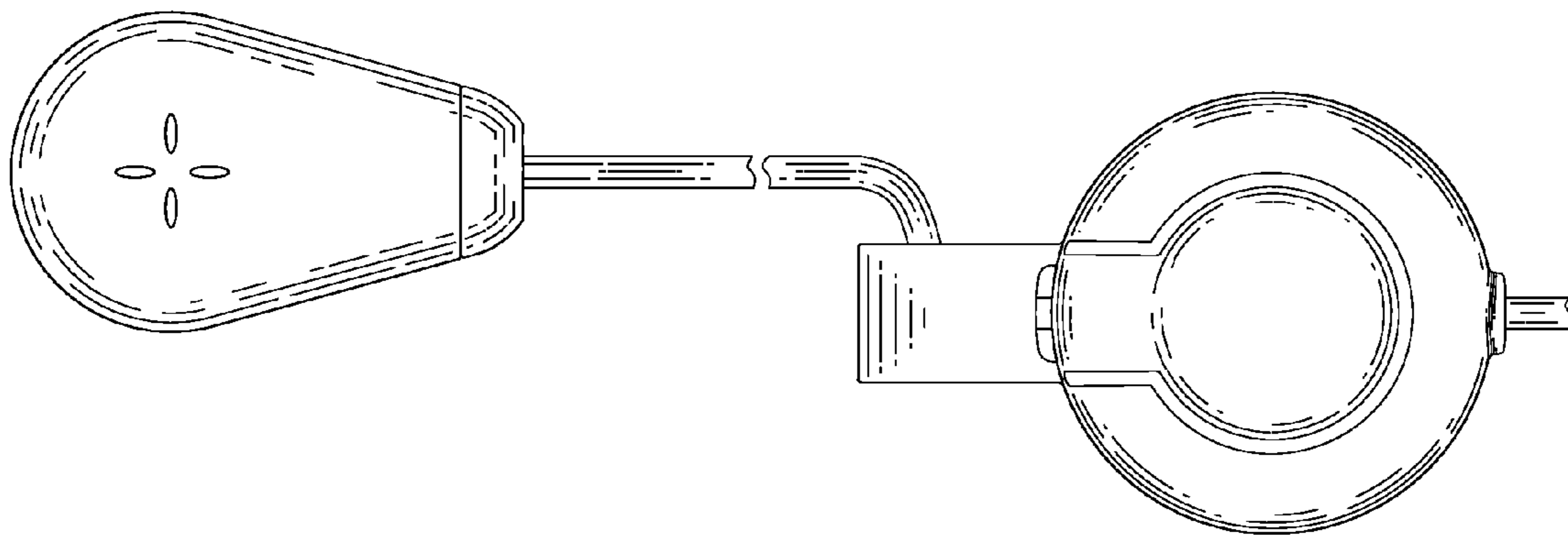


FIG. 3

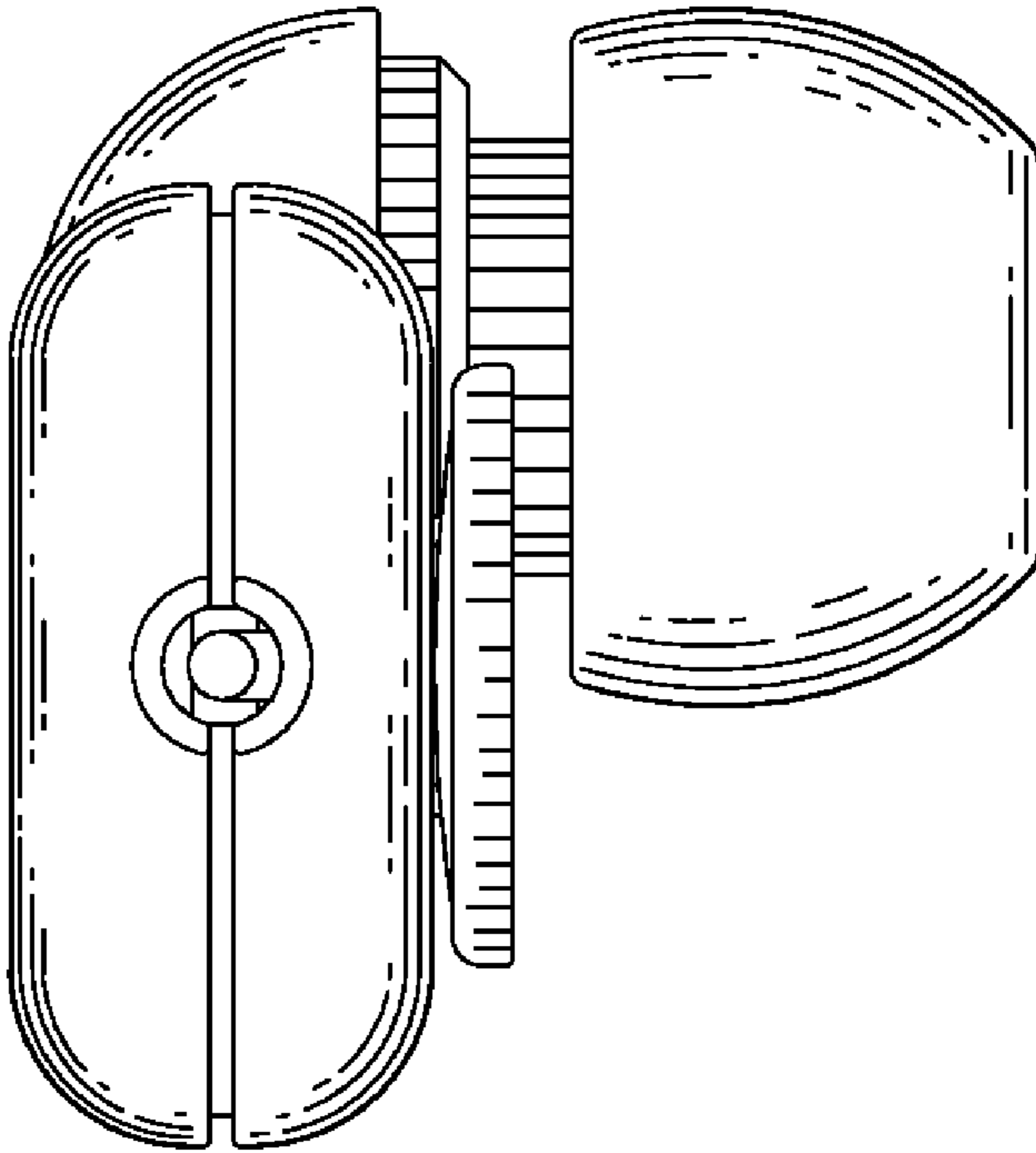


FIG. 4

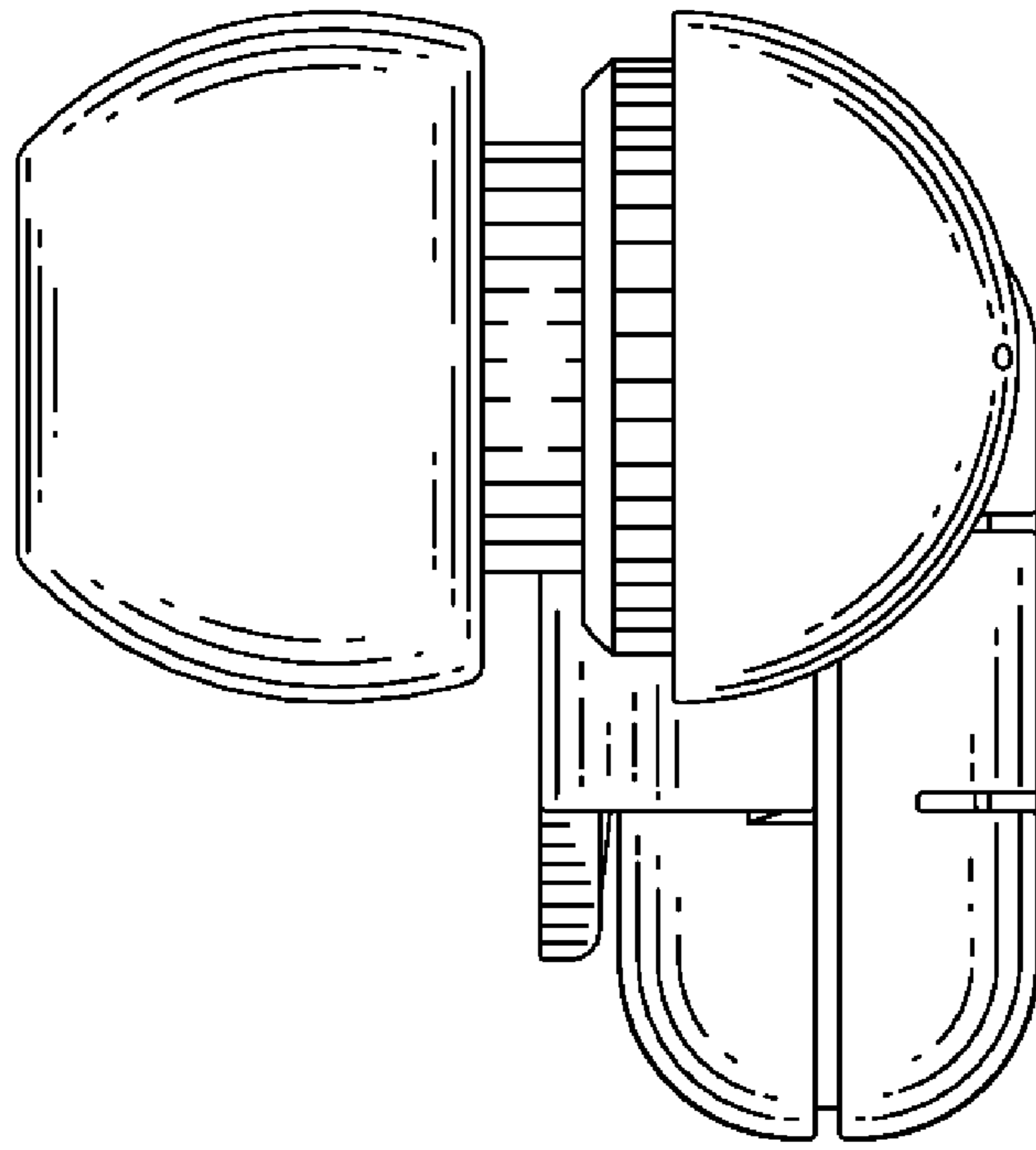


FIG. 5

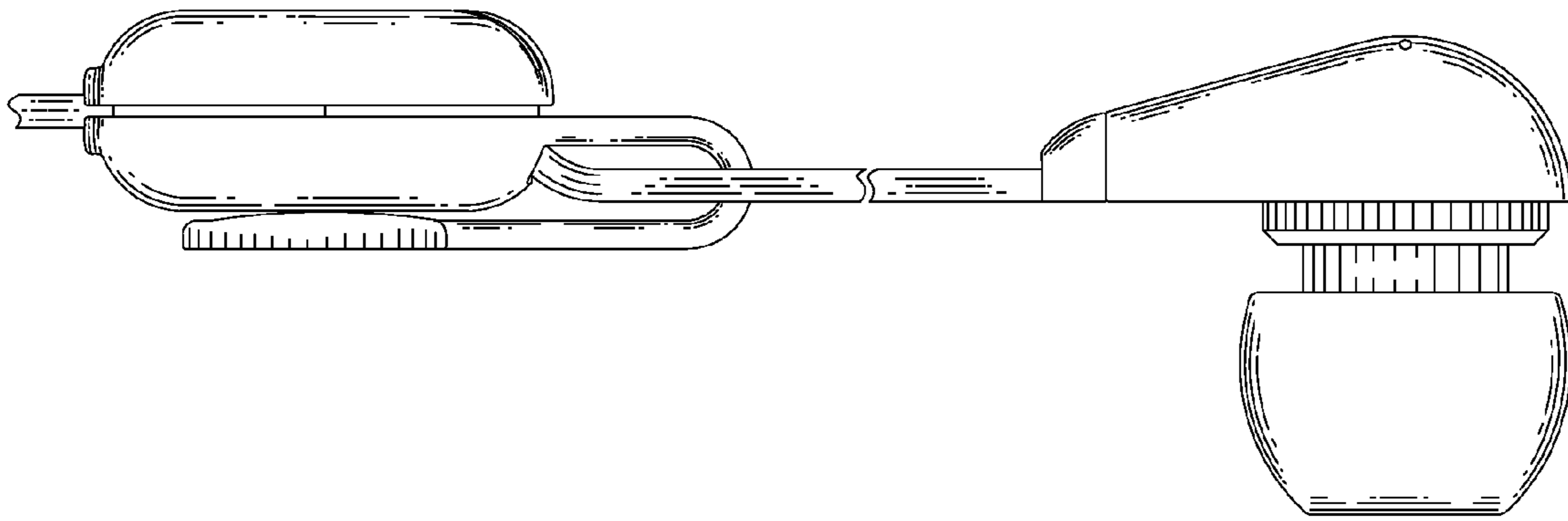


FIG. 6

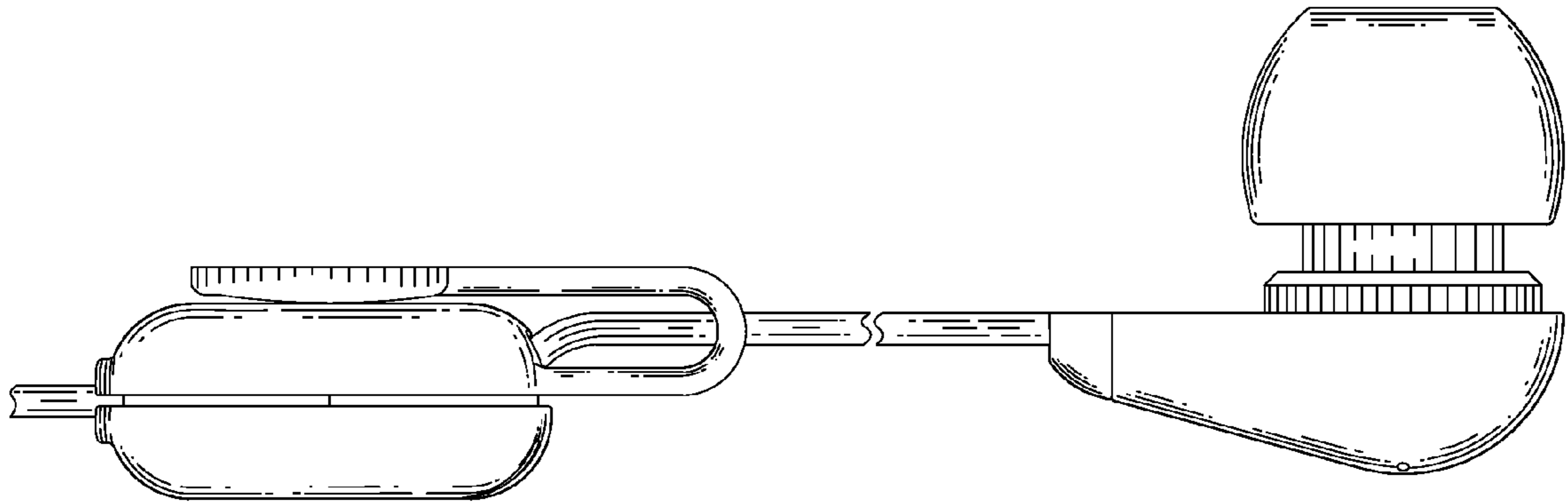


FIG. 7

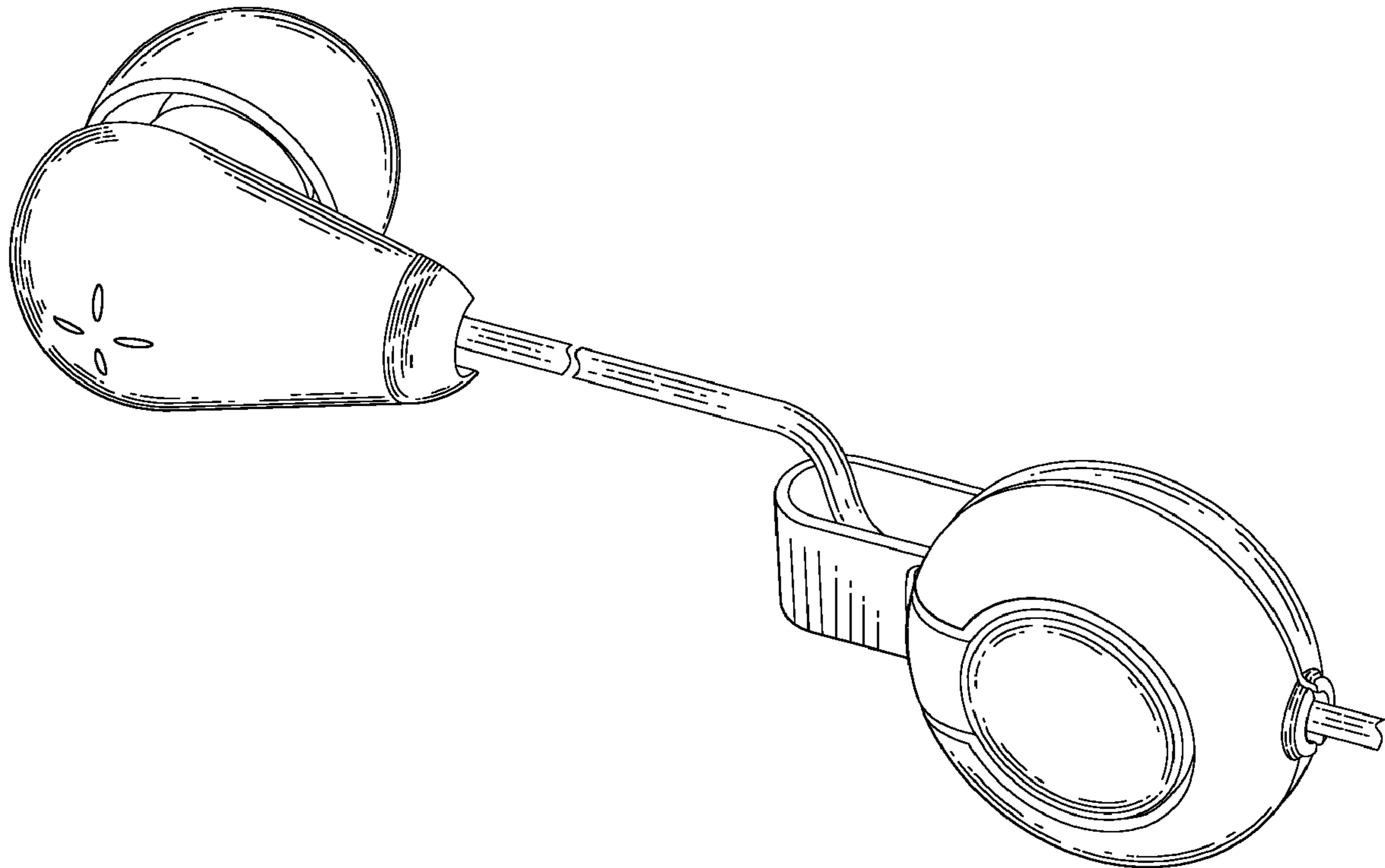


FIG. 8