



US00D626109S

(12) **United States Design Patent**  
**Kim et al.**

(10) **Patent No.:** **US D626,109 S**  
(45) **Date of Patent:** **\*\* Oct. 26, 2010**

(54) **MOBILE PHONE**

(75) Inventors: **Bo-Ra Kim**, Seoul (KR); **Sang-Min Hyun**, Seoul (KR); **Nam-Mi Kim**, Seoul (KR)

(73) Assignee: **Samsung Electronics Co., Ltd.**, Suwon-Si (KR)

(\*\*) Term: **14 Years**

(21) Appl. No.: **29/355,694**

(22) Filed: **Feb. 12, 2010**

(30) **Foreign Application Priority Data**

Sep. 30, 2009 (KR) ..... 30-2009-0043246

(51) **LOC (9) Cl.** ..... **14-03**

(52) **U.S. Cl.** ..... **D14/138 AD; D14/138 G**

(58) **Field of Classification Search** ..... D14/138 R, D14/138 AD, 138 AC, 138 C, 138 G, 191, D14/203.1–203.8, 496, 138 AA, 138 AB, D14/247–248, 137, 147, 218, 341–347; D10/65, D10/78, 104; D13/168; D18/7; 455/566, 455/575.1, 575.3

See application file for complete search history.

(56) **References Cited**

**U.S. PATENT DOCUMENTS**

- D422,972 S \* 4/2000 King ..... D14/341
- D423,468 S \* 4/2000 Jenkins ..... D14/342
- D493,156 S \* 7/2004 Hamann et al. .... D14/138 AD
- D495,695 S \* 9/2004 Yugaya ..... D14/346
- D505,676 S \* 5/2005 Porter et al. .... D14/388
- D517,038 S \* 3/2006 Lee et al. .... D14/138 AD
- 7,047,033 B2 \* 5/2006 Wyler ..... 455/552.1
- D542,768 S \* 5/2007 Hwang et al. .... D14/138 G
- D543,193 S \* 5/2007 Chung et al. .... D14/138 AD
- D548,733 S \* 8/2007 Johansson ..... D14/341
- D551,664 S \* 9/2007 Lin et al. .... D14/341
- D552,125 S \* 10/2007 Egawa ..... D14/496
- D554,635 S \* 11/2007 Chung et al. .... D14/341

- D555,137 S \* 11/2007 Kim et al. .... D14/138 AD
- 7,292,882 B2 \* 11/2007 Lee et al. .... 455/575.4
- D562,795 S \* 2/2008 Nara ..... D14/138 AD
- D563,364 S \* 3/2008 Kim et al. .... D14/138 AB

(Continued)

**OTHER PUBLICATIONS**

Motorola Sidekick Slide, announced Sep. 2007, [online], [retrieved on May 14, 2008]. Retrieved from Internet ,<URL: <http://www.gsmarena.com>>.\*

(Continued)

*Primary Examiner*—Bridget L Eland

(74) *Attorney, Agent, or Firm*—Staas & Halsey LLP

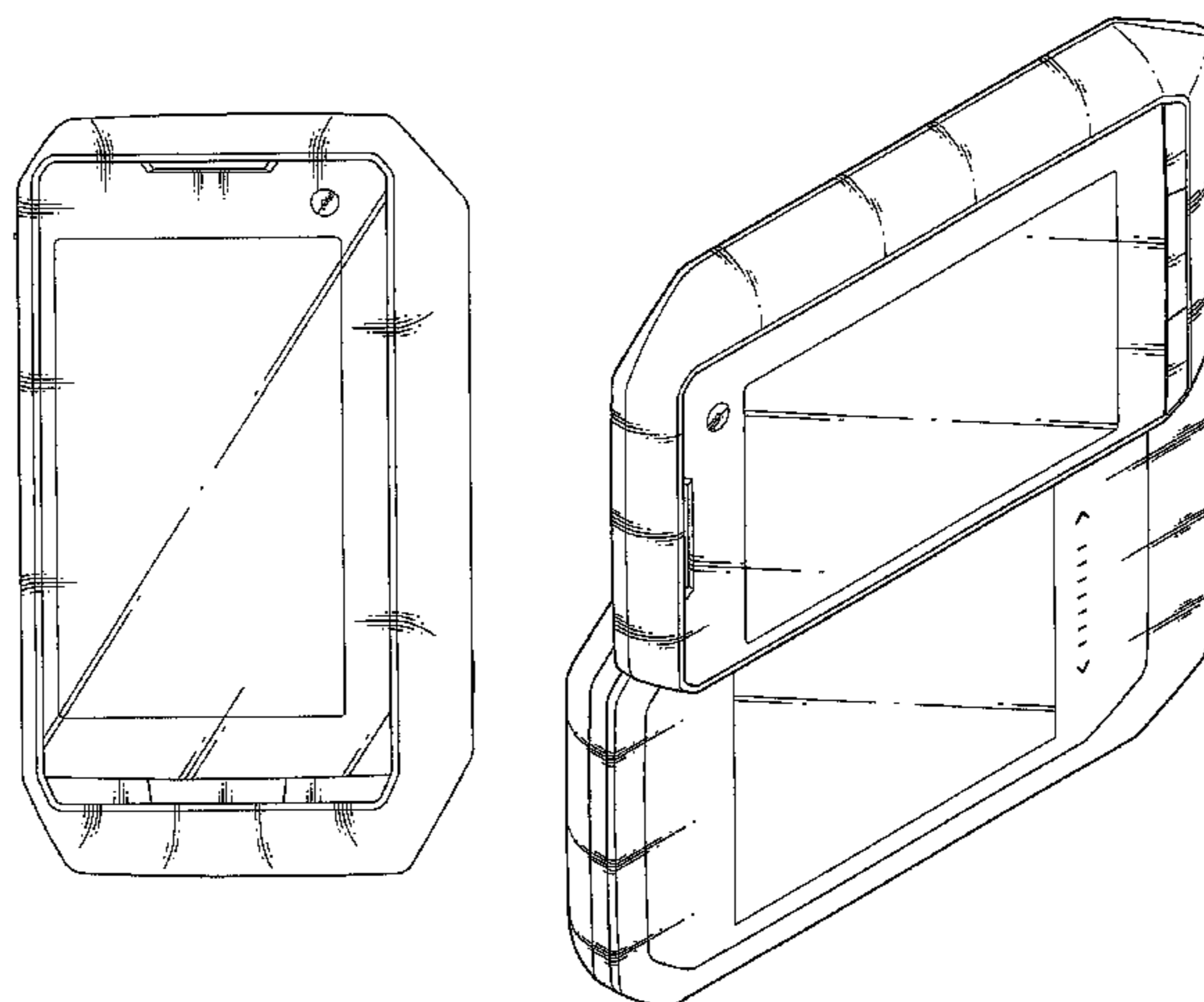
(57) **CLAIM**

The ornamental design for a mobile phone, as shown and described.

**DESCRIPTION**

FIG. 1 is a front perspective view of a mobile phone;  
FIG. 2 is a front view of the mobile phone of FIG. 1;  
FIG. 3 is a rear view of the mobile phone of FIG. 1;  
FIG. 4 is a left-side view of the mobile phone of FIG. 1;  
FIG. 5 is a right-side view of the mobile phone of FIG. 1;  
FIG. 6 is a top plan view of the mobile phone of FIG. 1;  
FIG. 7 is a bottom plan view of the mobile phone of FIG. 1;  
and,  
FIG. 8 is a sideways open front perspective view of the mobile phone of FIG. 1.

**1 Claim, 5 Drawing Sheets**



# US D626,109 S

Page 2

---

## U.S. PATENT DOCUMENTS

D571,798 S \* 6/2008 Ogasawara ..... D14/341  
D571,799 S \* 6/2008 Ogasawara ..... D14/341  
D590,825 S \* 4/2009 Liu ..... D14/341  
D606,507 S \* 12/2009 Kim et al. .... D14/138 G  
D608,781 S \* 1/2010 Wada ..... D14/371  
2005/0043063 A1\* 2/2005 Dinn ..... 455/566  
2007/0105606 A1\* 5/2007 Yoon et al. .... 455/575.4  
2008/0004085 A1\* 1/2008 Jung et al. .... 455/566  
2008/0297537 A1\* 12/2008 Ishikawa et al. .... 345/690

## OTHER PUBLICATIONS

T-Mobile Sidekick LX 2009, announced Apr. 2009, [online], [retrieved on May 1, 2009]. Retrieved from Internet ,<URL: <http://www.gsmarena.com>>.\*  
i-mate Ultimate 9502, announced Oct. 2007, [online], [retrieved on Dec. 13, 2007]. Retrieved from Internet ,<URL: <http://www.gsmarena.com>>.\*  
Pantech Duo, announced Oct. 2007, [online], [retrieved on Jan. 18, 2008]. Retrieved from Internet ,<URL: <http://www.gsmarena.com>>.\*

\* cited by examiner

# FIG. 1

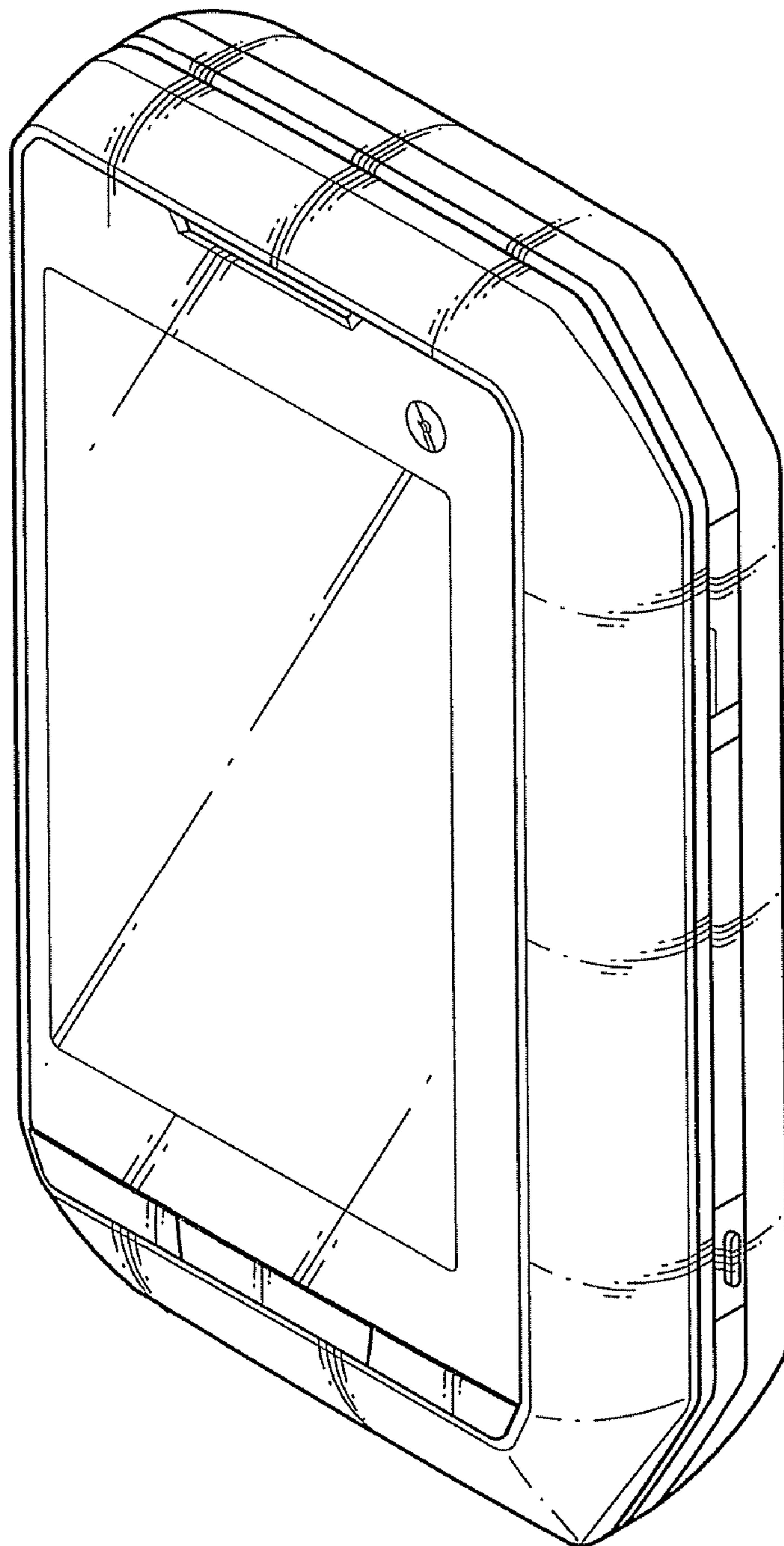


FIG.2

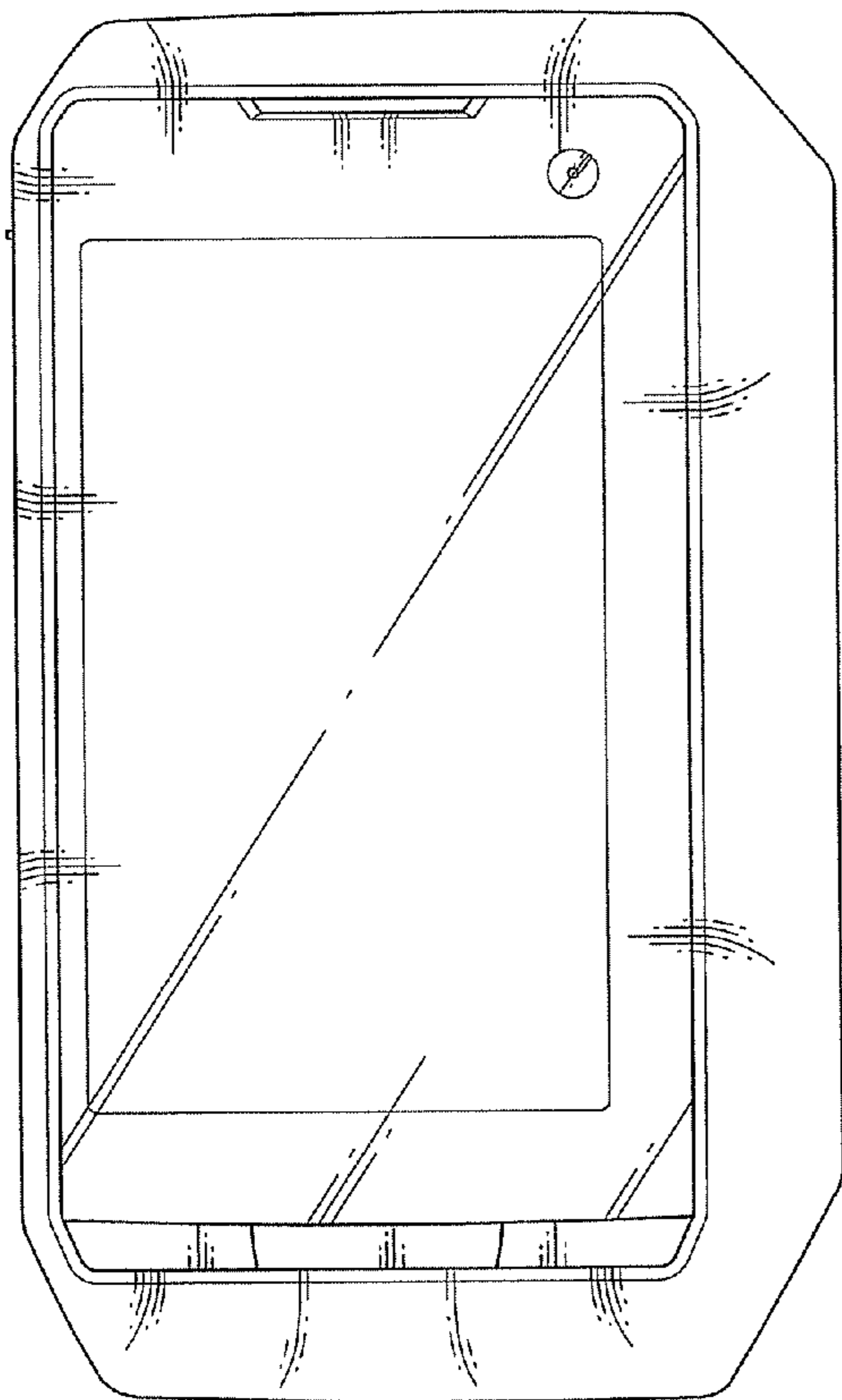


FIG.3

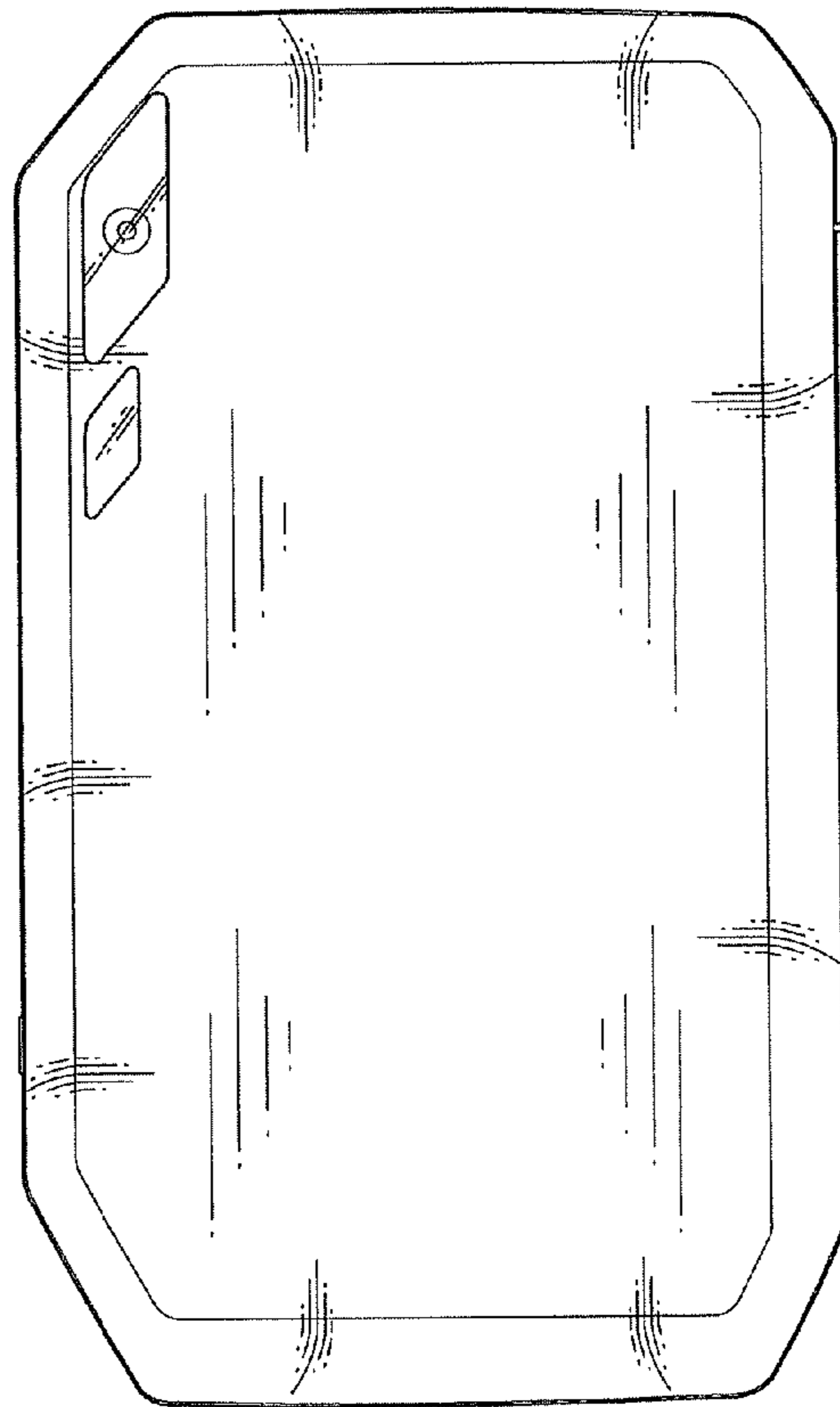


FIG. 4

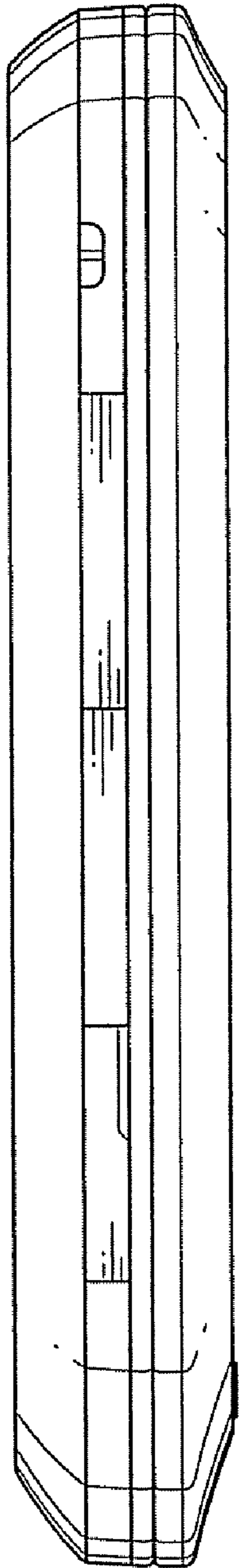
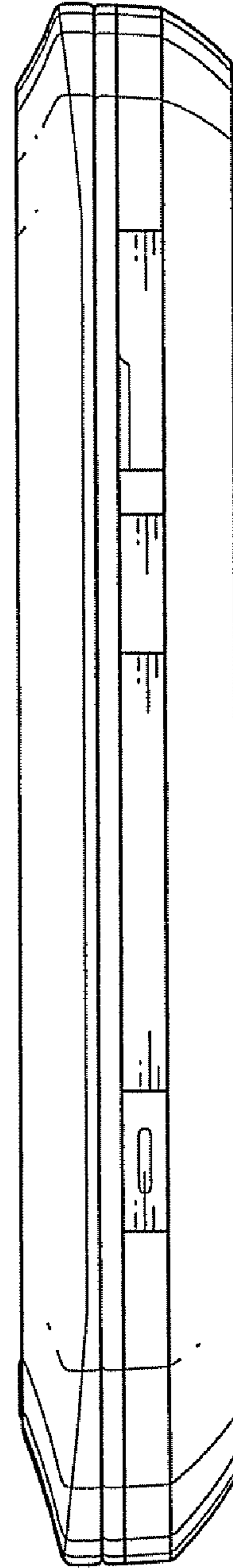
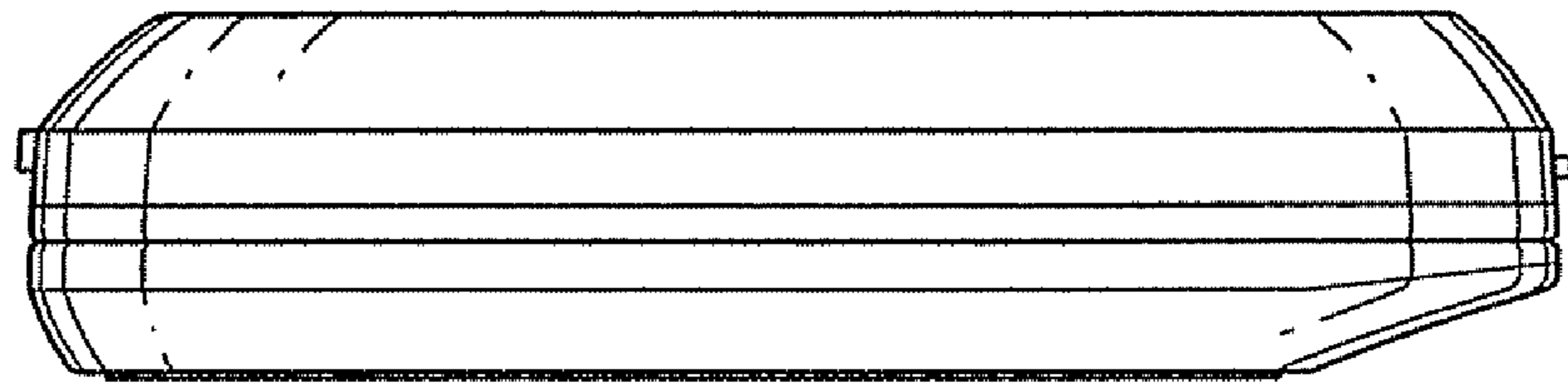


FIG. 5



# FIG. 6



# FIG. 7

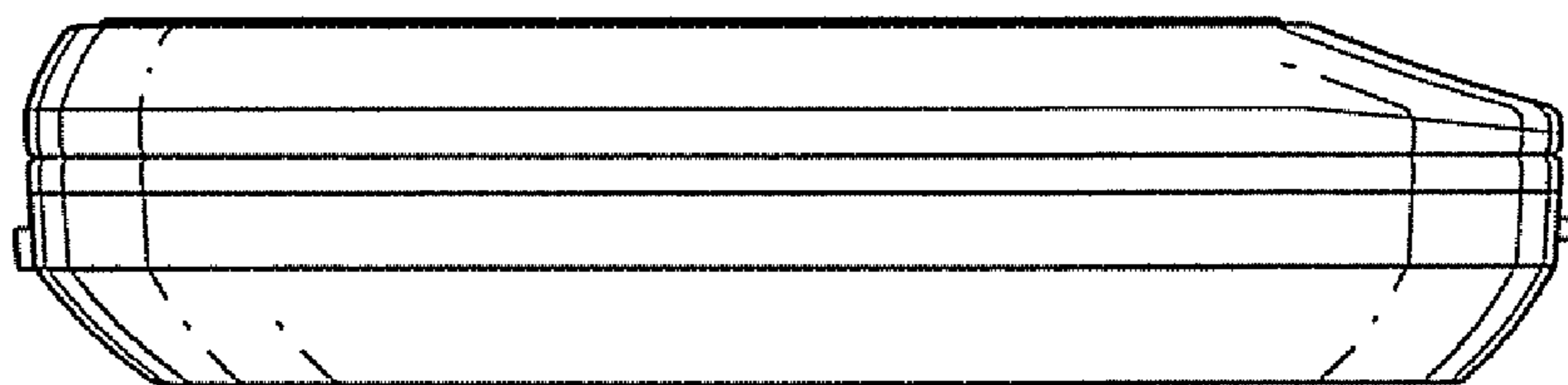


FIG. 8

