



US00D626108S

(12) **United States Design Patent**
Kaneda et al.

(10) **Patent No.:** **US D626,108 S**
(45) **Date of Patent:** **** Oct. 26, 2010**

(54) **MOBILE PHONE**

(75) Inventors: **Yasuhisa Kaneda**, Tokyo (JP);
Jong-Seong Lee, Seoul (KR); **Yusuru Masuda**, Tokyo (JP)

(73) Assignee: **Samsung Electronics Co., Ltd.**,
Suwon-Si (KR)

(**) Term: **14 Years**

(21) Appl. No.: **29/346,745**

(22) Filed: **Nov. 5, 2009**

(30) **Foreign Application Priority Data**

Aug. 18, 2009 (KR) 30-2009-0036345

(51) **LOC (9) Cl.** **14-03**

(52) **U.S. Cl.** **D14/138 AB**

(58) **Field of Classification Search** D14/138 AB,
D14/496, 341, 345, 346, 203.3, 203.4, 203.7;
455/575.3; D21/517; 379/433.13

See application file for complete search history.

(56) **References Cited**

U.S. PATENT DOCUMENTS

D249,822	S *	10/1978	Ohie et al.	D18/7
D255,125	S *	5/1980	Hazama et al.	D18/7
D281,968	S *	12/1985	Thiele et al.	D13/103
D345,356	S *	3/1994	Ando et al.	D14/138 AB
D453,751	S *	2/2002	Bearden	D14/138 AB
D468,279	S *	1/2003	Kim et al.	D14/138 AB
D484,918	S *	1/2004	Okada et al.	D21/330
6,775,560	B2 *	8/2004	King et al.	455/566
D500,252	S *	12/2004	Hsu	D10/18
D512,073	S *	11/2005	Rodarte	D14/203.4
D548,210	S *	8/2007	Lewis	D14/138 AB
D566,671	S *	4/2008	Lee	D14/138 AA
D584,268	S *	1/2009	Kim	D14/138 AB
D585,409	S *	1/2009	Kim	D14/138 AB
D590,365	S *	4/2009	Kim et al.	D14/138 AB
D590,807	S *	4/2009	Kim et al.	D14/138 AB

D597,055	S *	7/2009	Ladouceur et al. ...	D14/138 AB
D607,430	S *	1/2010	Song et al.	D14/138 AB
2004/0067768	A1 *	4/2004	King et al.	455/556.1
2008/0293459	A1 *	11/2008	Wang	455/575.3
2009/0117888	A1 *	5/2009	Taylor et al.	455/418
2009/0186662	A1 *	7/2009	Rak et al.	455/566
2009/0186670	A1 *	7/2009	Rak et al.	455/575.3

OTHER PUBLICATIONS

Alcatel OT-808 telephone, announced Feb. 2010, [online], [site visited Jun. 18, 2010]. Available from Internet, <URL: <http://www.gsmarena.com>>.*

NEC N910 telephone, announced 1st quarter 2004, [online], [site visited Jun. 18, 2010]. Available from Internet, <URL: <http://www.gsmarena.com>>.*

Telit t410 telephone, announced 1st quarter 2005, [online], [site visited Jun. 18, 2010]. Available from Internet, <URL: <http://www.gsmarena.com>>.*

* cited by examiner

Primary Examiner—Jeffrey D Asch

(74) *Attorney, Agent, or Firm*—Staas & Halsey LLP

(57) **CLAIM**

The ornamental design for a mobile phone, as shown and described.

DESCRIPTION

FIG. 1 is a front perspective view of a mobile phone;

FIG. 2 is a front view of the mobile phone of FIG. 1;

FIG. 3 is a rear view of the mobile phone of FIG. 1;

FIG. 4 is a left-side view of the mobile phone of FIG. 1;

FIG. 5 is a right-side view of the mobile phone of FIG. 1;

FIG. 6 is a top plan view of the mobile phone of FIG. 1;

FIG. 7 is a bottom plan view of the mobile phone of FIG. 1; and,

FIG. 8 is a front perspective open view of the mobile phone of FIG. 1.

1 Claim, 6 Drawing Sheets

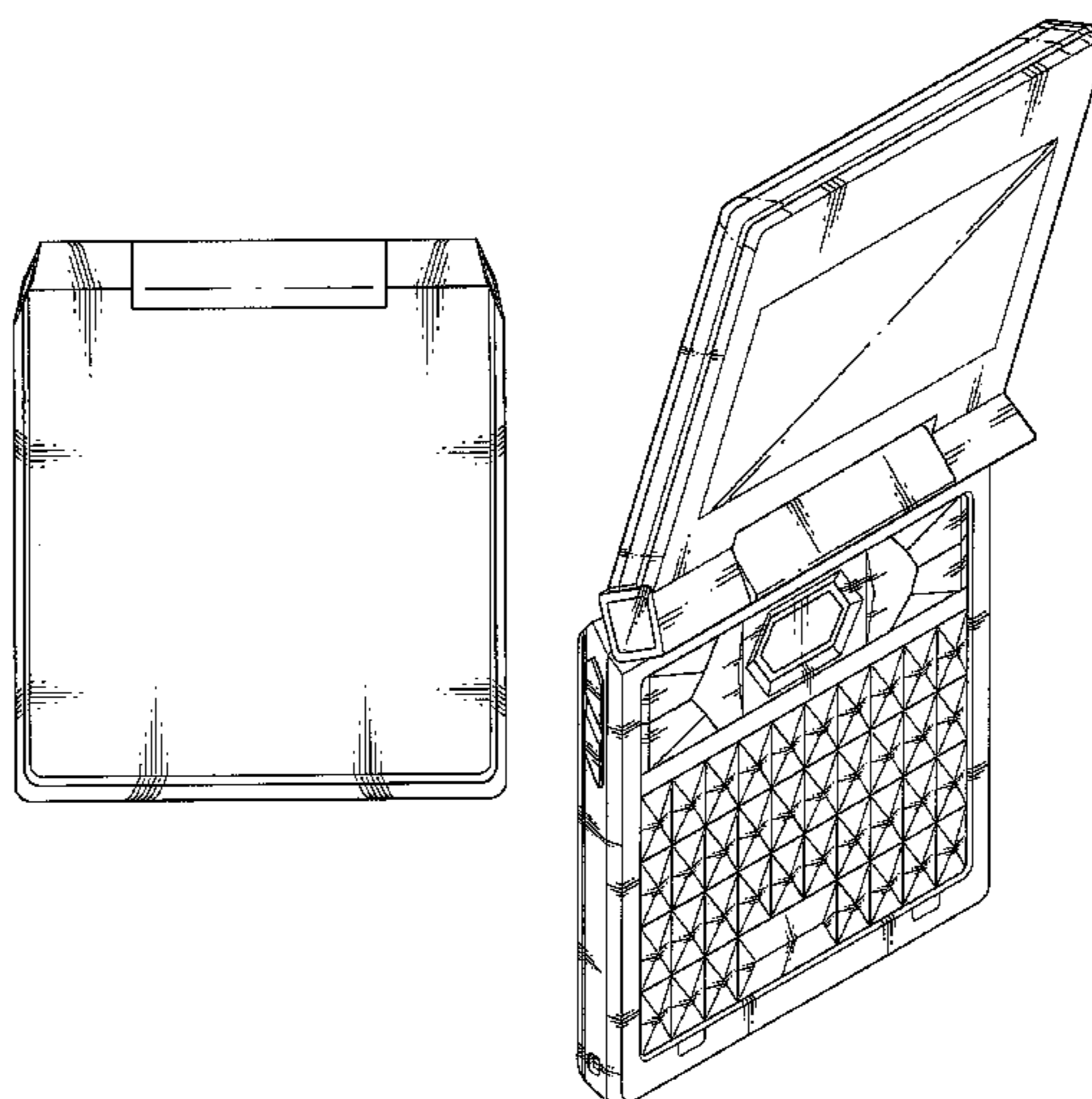


FIG. 1

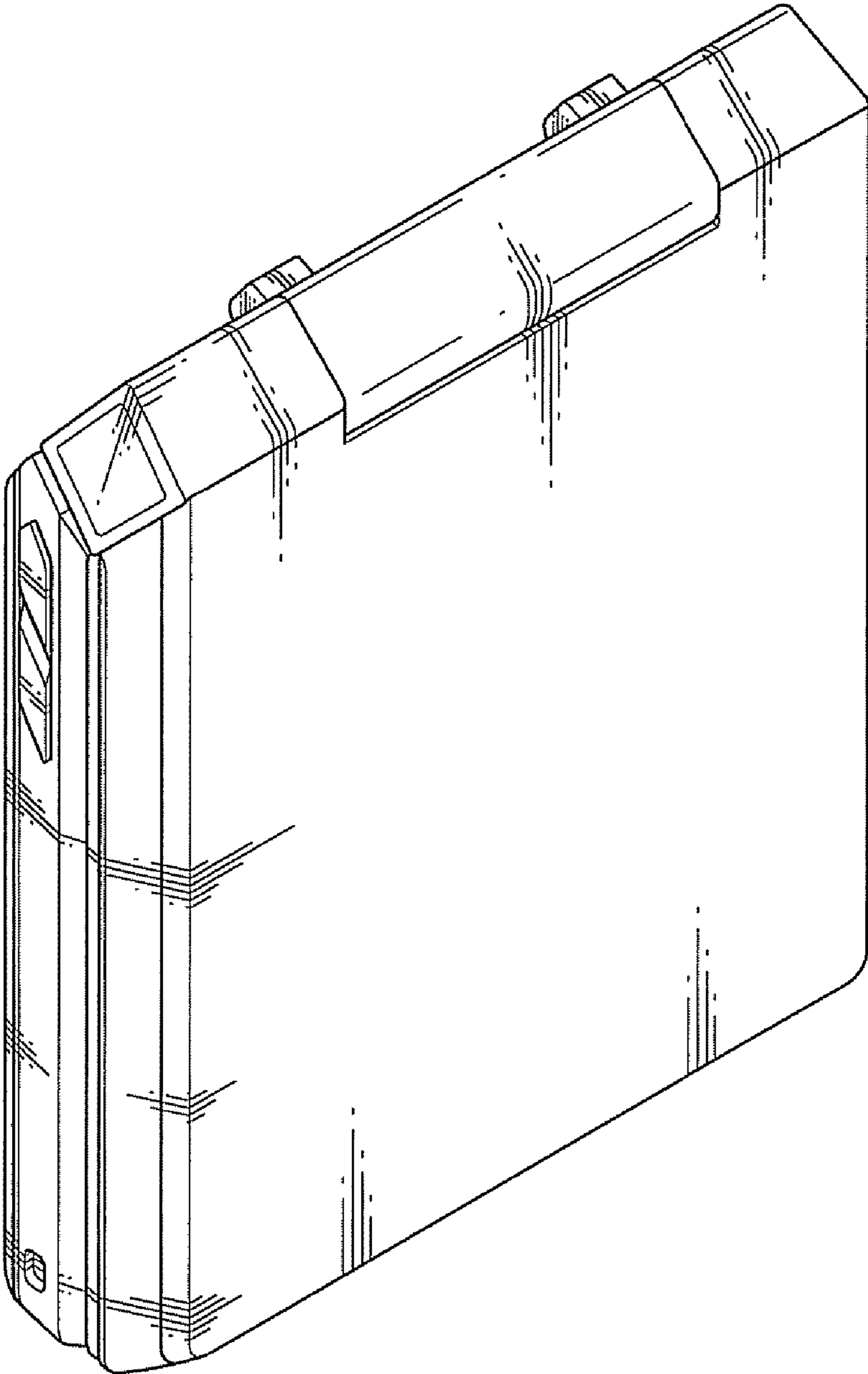


FIG. 2

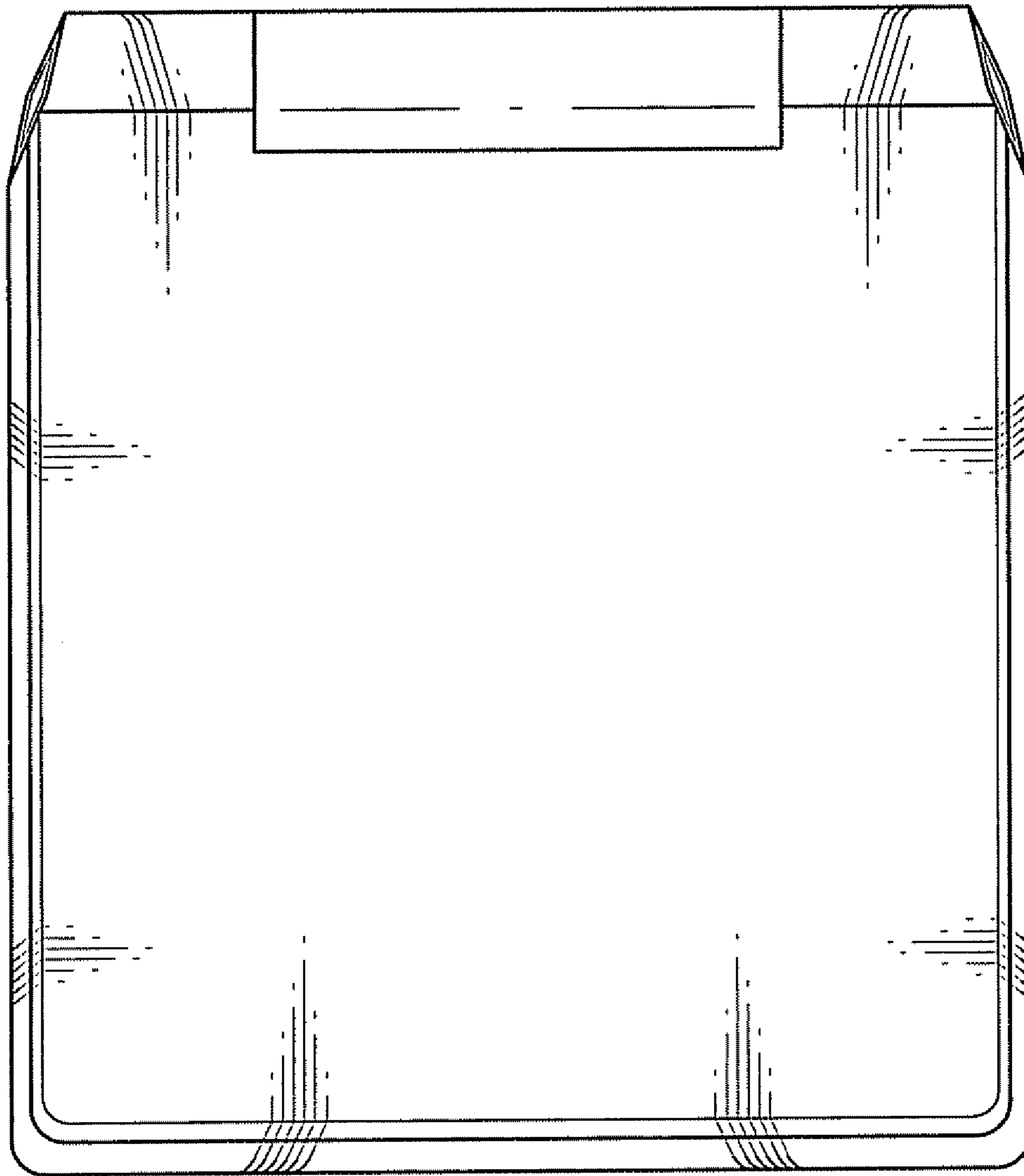


FIG. 3

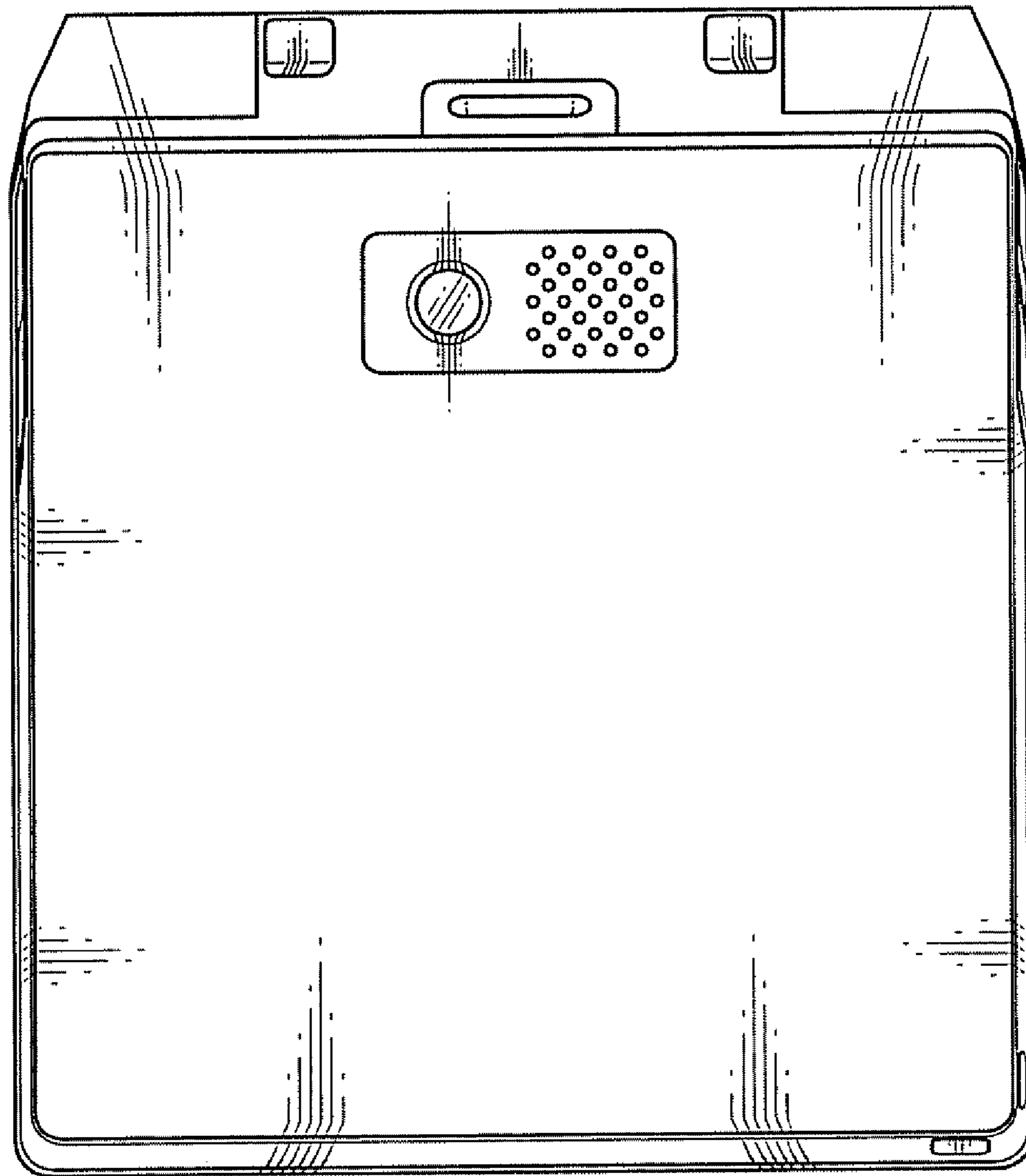


FIG. 4

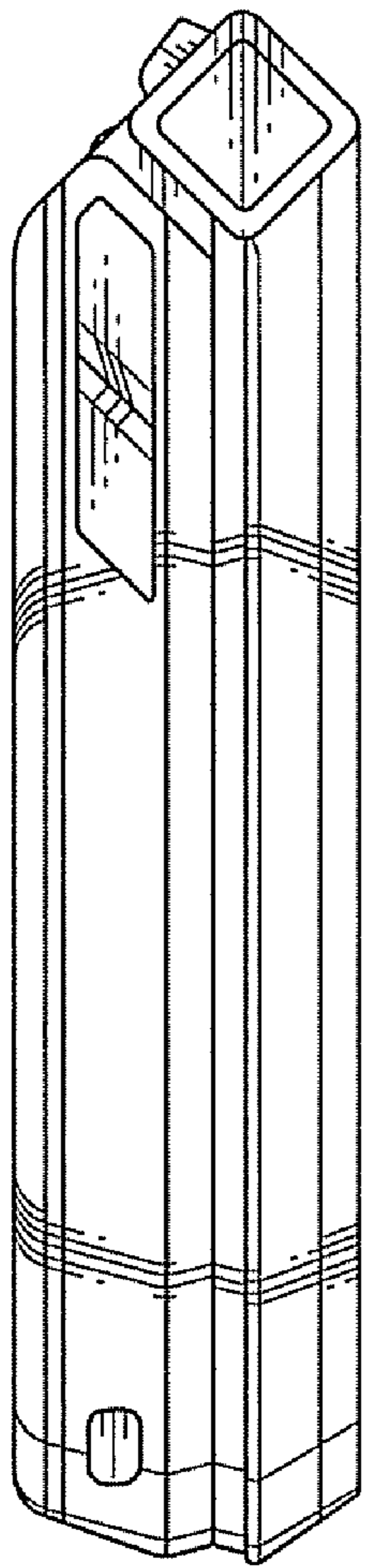


FIG. 5

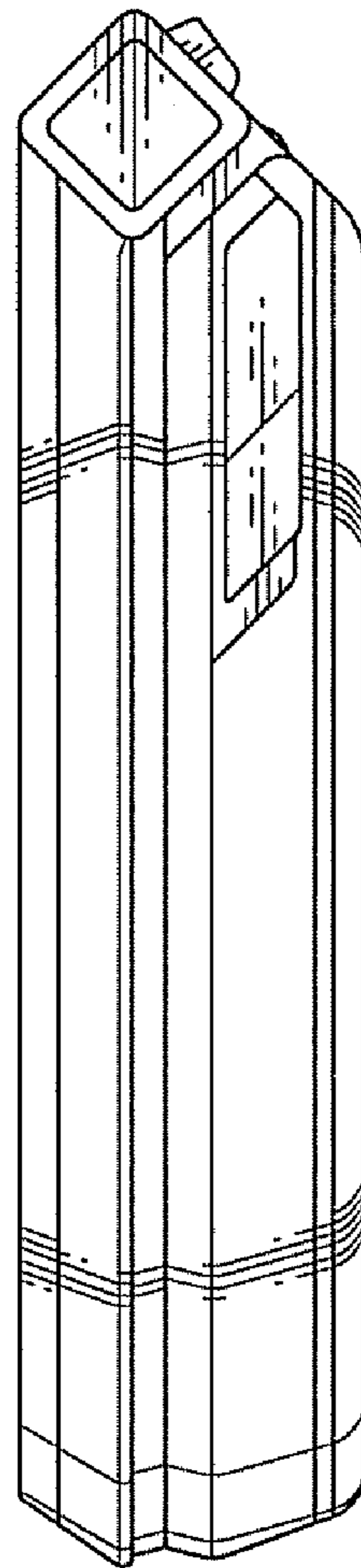


FIG. 6

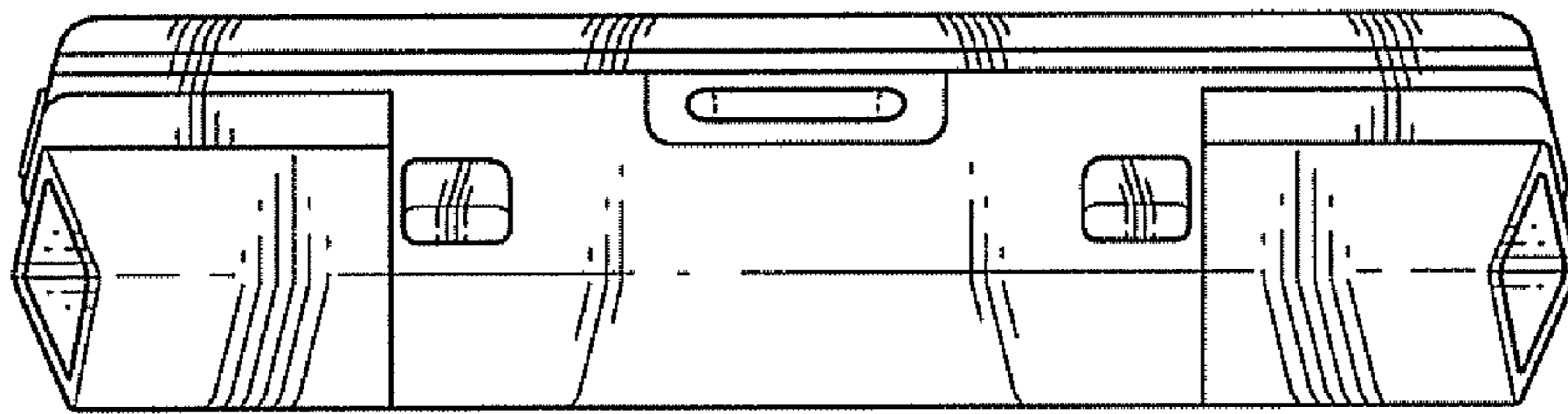


FIG. 7

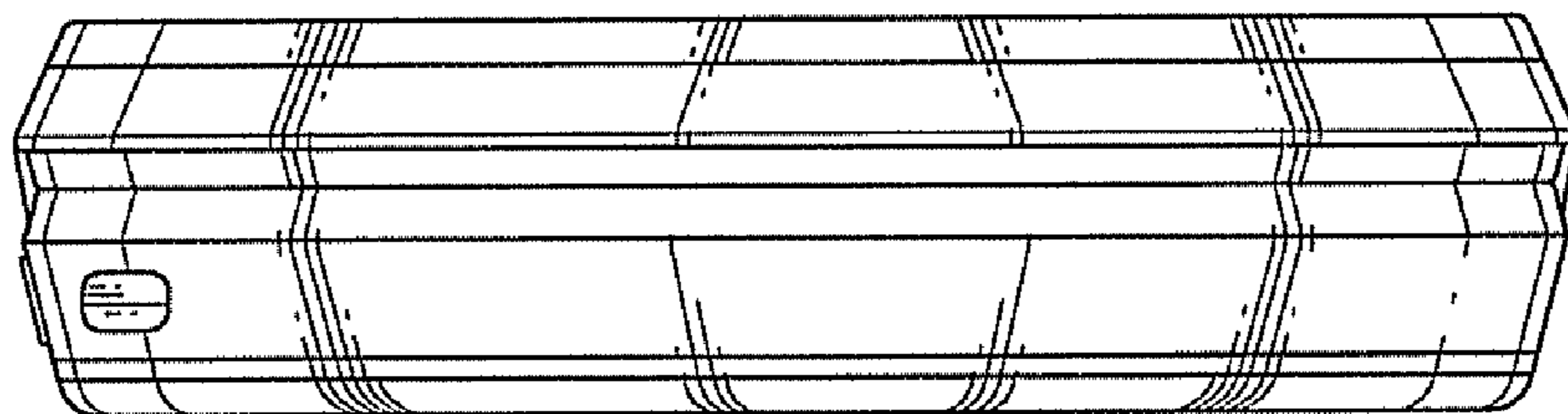


FIG8

