



US00D626107S

(12) **United States Design Patent**
Nara et al.

(10) **Patent No.:** **US D626,107 S**
(45) **Date of Patent:** **** Oct. 26, 2010**

(54) **MOBILE TELEPHONE**

(75) Inventors: **Katsuhiko Nara**, Tokyo (JP); **Masaru Jinde**, Kanagawa (JP)

(73) Assignee: **NEC CASIO Mobile Communications, Ltd.**, Kawasaki-shi (JP)

(**) Term: **14 Years**

(21) Appl. No.: **29/346,347**

(22) Filed: **Oct. 30, 2009**

(51) **LOC (9) Cl.** **14-03**

(52) **U.S. Cl.** **D14/138 AB**

(58) **Field of Classification Search** D14/138 AB,
D14/496, 341, 345, 346, 203.3, 203.4, 203.7;
455/575.3; D21/517; 379/433.13
See application file for complete search history.

(56) **References Cited**

U.S. PATENT DOCUMENTS

D455,135 S *	4/2002	Hyun	D14/138 AB
D468,713 S *	1/2003	Lee et al.	D14/138 AB
D491,158 S *	6/2004	Mou et al.	D14/138 AB
D491,548 S *	6/2004	Cho	D14/138 AB
D511,509 S *	11/2005	Kim et al.	D14/138 AB
D519,481 S *	4/2006	Nara	D14/138 AB
D542,255 S *	5/2007	Hong et al.	D14/138 AB
D545,798 S *	7/2007	Kimbre	D14/138 AB
D557,670 S *	12/2007	Park et al.	D14/138 AB
D563,928 S *	3/2008	Sugioka	D14/138 AB
D565,007 S *	3/2008	Nara	D14/138 AB
D566,078 S *	4/2008	Nara	D14/138 AB
D566,084 S *	4/2008	Oh et al.	D14/138 AB
D566,670 S *	4/2008	Huang	D14/138 AB
D566,675 S *	4/2008	Lee	D14/138 AB
D576,995 S *	9/2008	Jinde et al.	D14/138 AB
D584,264 S *	1/2009	Oh et al.	D14/138 AB
D584,277 S *	1/2009	Nishikawa	D14/138 AB
D589,481 S *	3/2009	Nara et al.	D14/138 AB
D592,630 S *	5/2009	Robertson et al.	D14/138 AB
D603,825 S *	11/2009	Jeoung et al.	D14/138 AB
D603,826 S *	11/2009	Ham	D14/138 AB
D609,684 S *	2/2010	Nara et al.	D14/138 AB

2005/0024274 A1 *	2/2005	Byun et al.	343/702
2006/0160585 A1 *	7/2006	Miyagawa et al.	455/575.7
2006/0177048 A1 *	8/2006	Tsutaichi et al.	379/433.13

OTHER PUBLICATIONS

Sony Ericsson Z300 telephone, announced Nov. 2005, [online], [site visited Jun. 18, 2010]. Available from Internet ,<URL: <http://www.gsmarena.com>>.*

LG M4300 telephone, announced 1st quarter 2005, [online], [site visited Jun. 18, 2010]. Available from Internet ,<URL: <http://www.gsmarena.com>>.*

(Continued)

Primary Examiner—Jeffrey D Asch

(74) *Attorney, Agent, or Firm*—Holtz, Holtz, Goodman & Chick, PC

(57) **CLAIM**

The ornamental design for a mobile telephone, as shown and described.

DESCRIPTION

FIG. 1 is a front, bottom and right side perspective view of a mobile telephone, in a closed state, showing our new design;

FIG. 2 is a front elevational view thereof;

FIG. 3 is a rear elevational view thereof;

FIG. 4 is a left side elevational view thereof;

FIG. 5 is a right side elevational view thereof;

FIG. 6 is a top plan view thereof;

FIG. 7 is a bottom plan view thereof;

FIG. 8 is a front, bottom and right side perspective view thereof in an open state, and drawn to a smaller scale;

FIG. 9 is a front elevational view thereof;

FIG. 10 is a rear elevational view thereof;

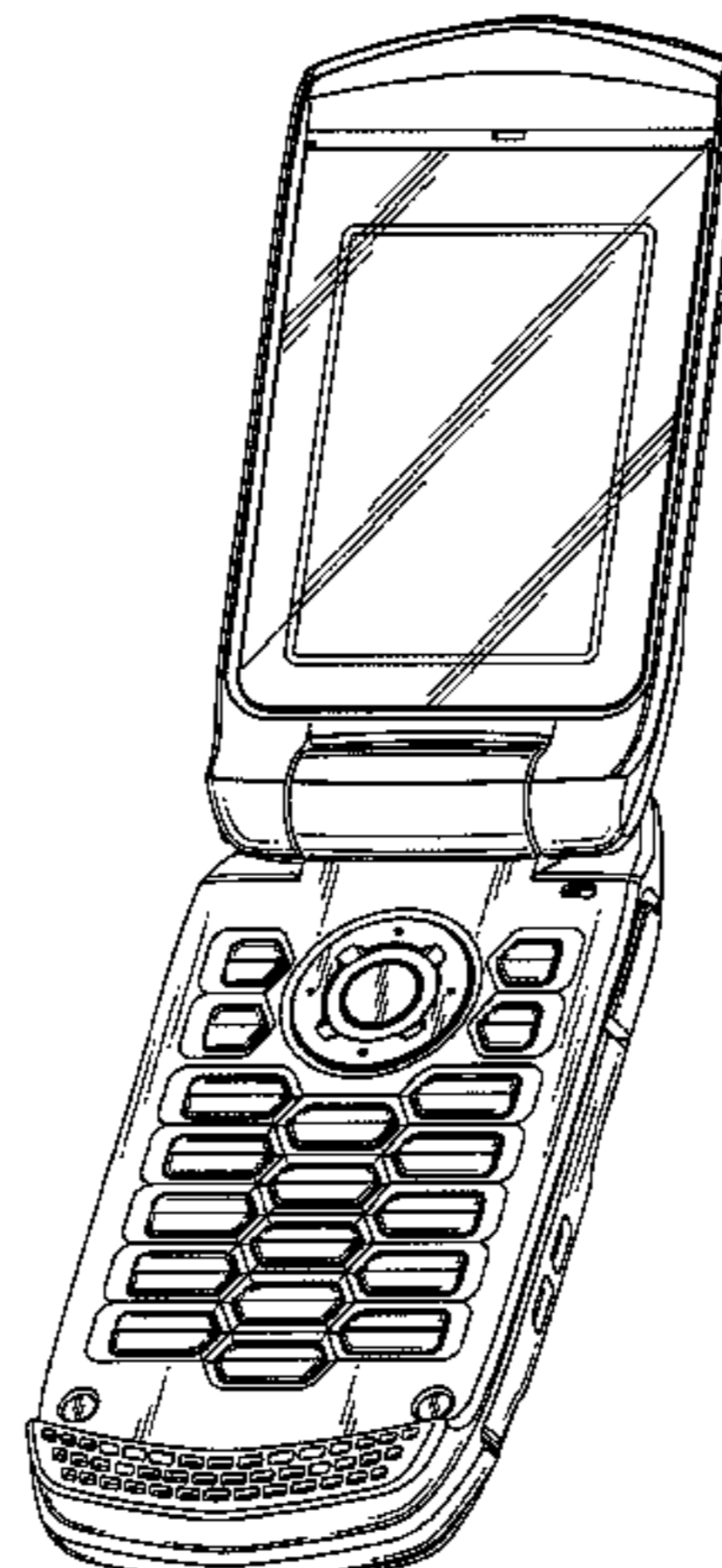
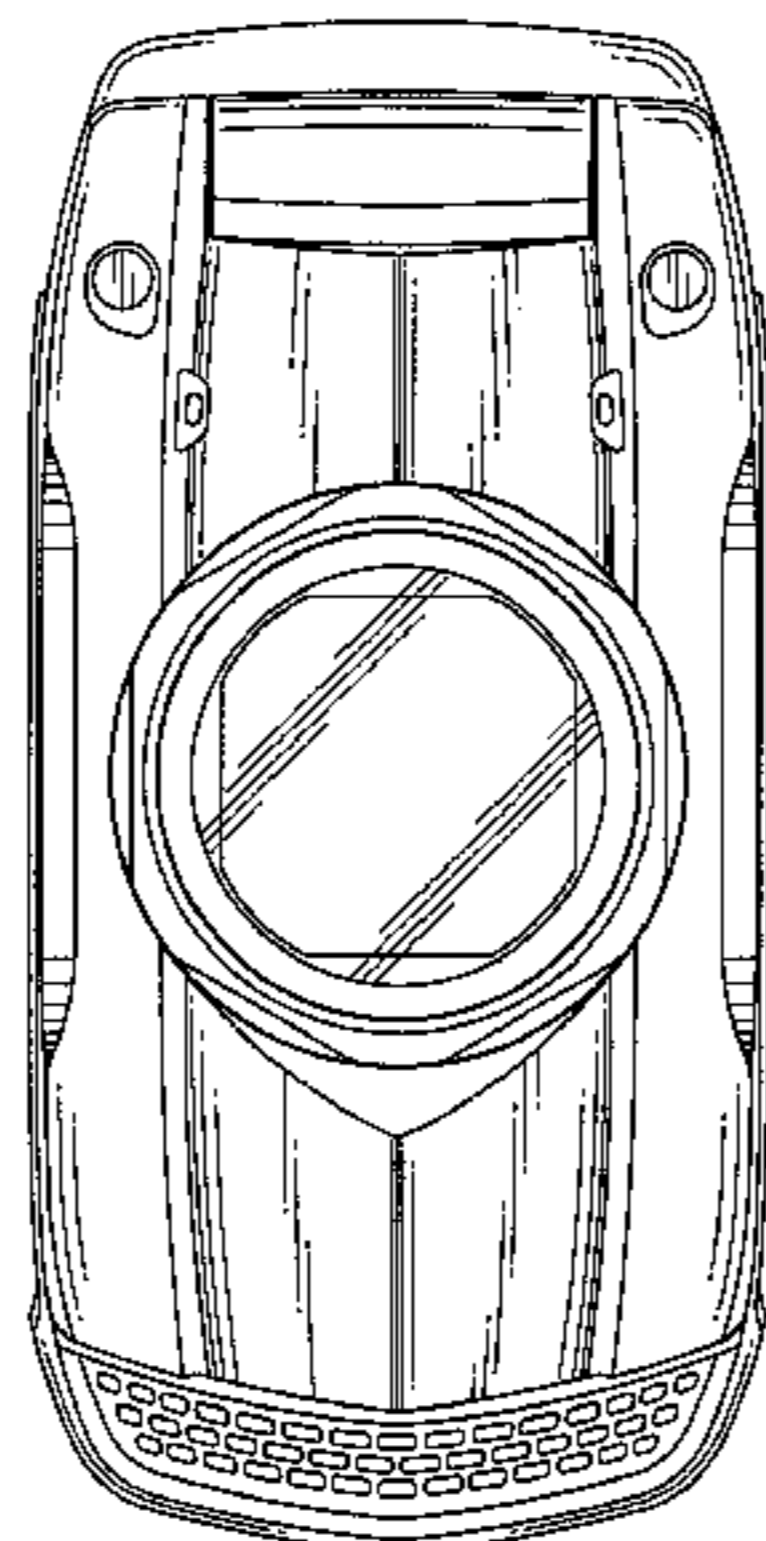
FIG. 11 is a left side elevational view thereof;

FIG. 12 is a right side elevational view thereof;

FIG. 13 is a top plan view thereof; and,

FIG. 14 is a bottom plan view thereof.

1 Claim, 14 Drawing Sheets



OTHER PUBLICATIONS

InnoStream INNO 90 telephone, announced 1st quarter 2004, [online], [site visited Jun. 18, 2010]. Available from Internet ,<URL: <http://www.gsmarena.com>>.*

Maxon MX-C11 telephone, announced 2004, [online], [site visited Jun. 18, 2010]. Available from Internet ,<URL: <http://www.gsmarena.com>>.*

NEC N500i telephone, announced Feb. 2006, [online], [site visited Jun. 18, 2010]. Available from Internet ,<URL: <http://www.gsmarena.com>>.*

Qtek 8500 telephone, announced Feb. 2006, [online], [site visited Jun. 18, 2010]. Available from Internet ,<URL: <http://www.gsmarena.com>>.*

* cited by examiner

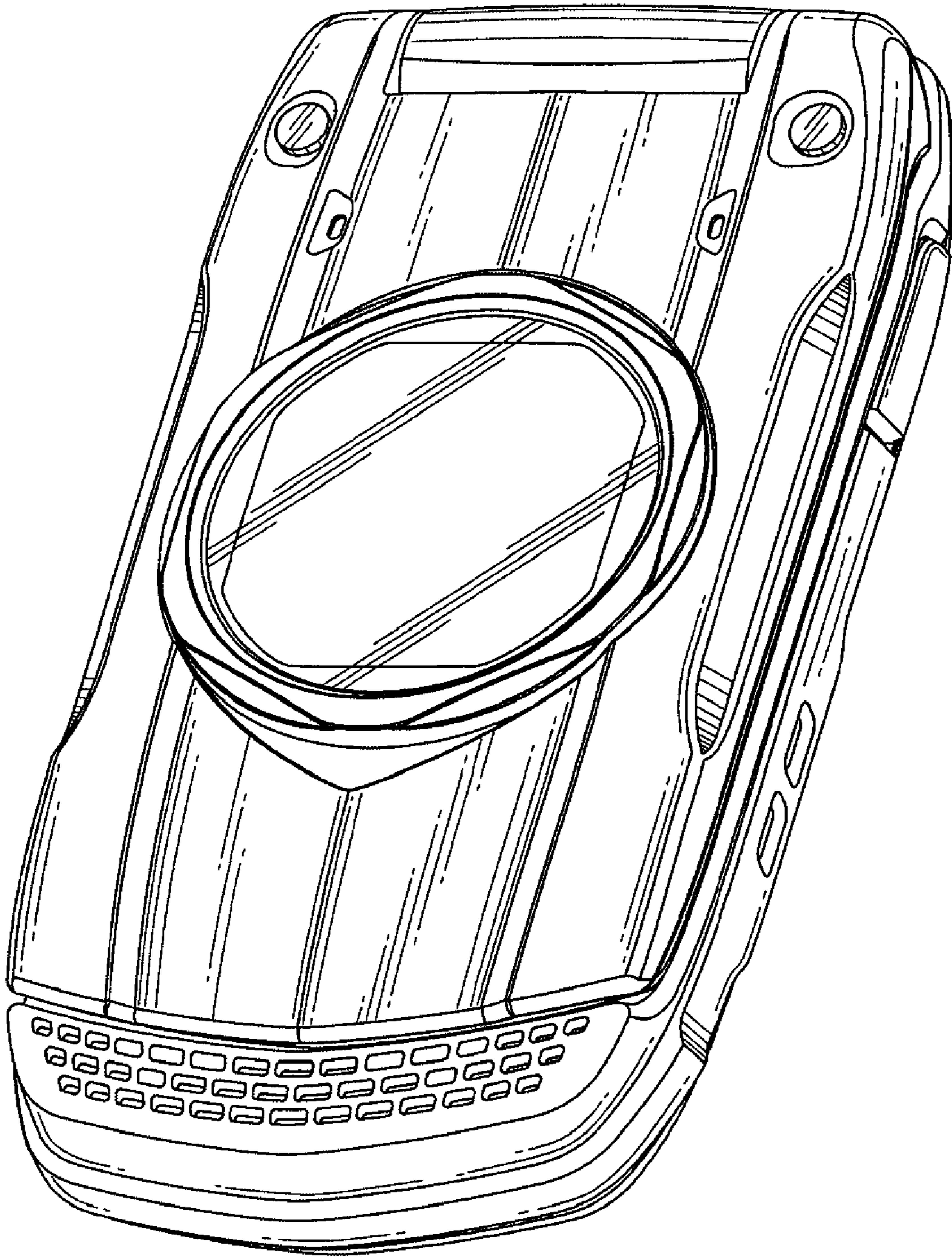


FIG. 1

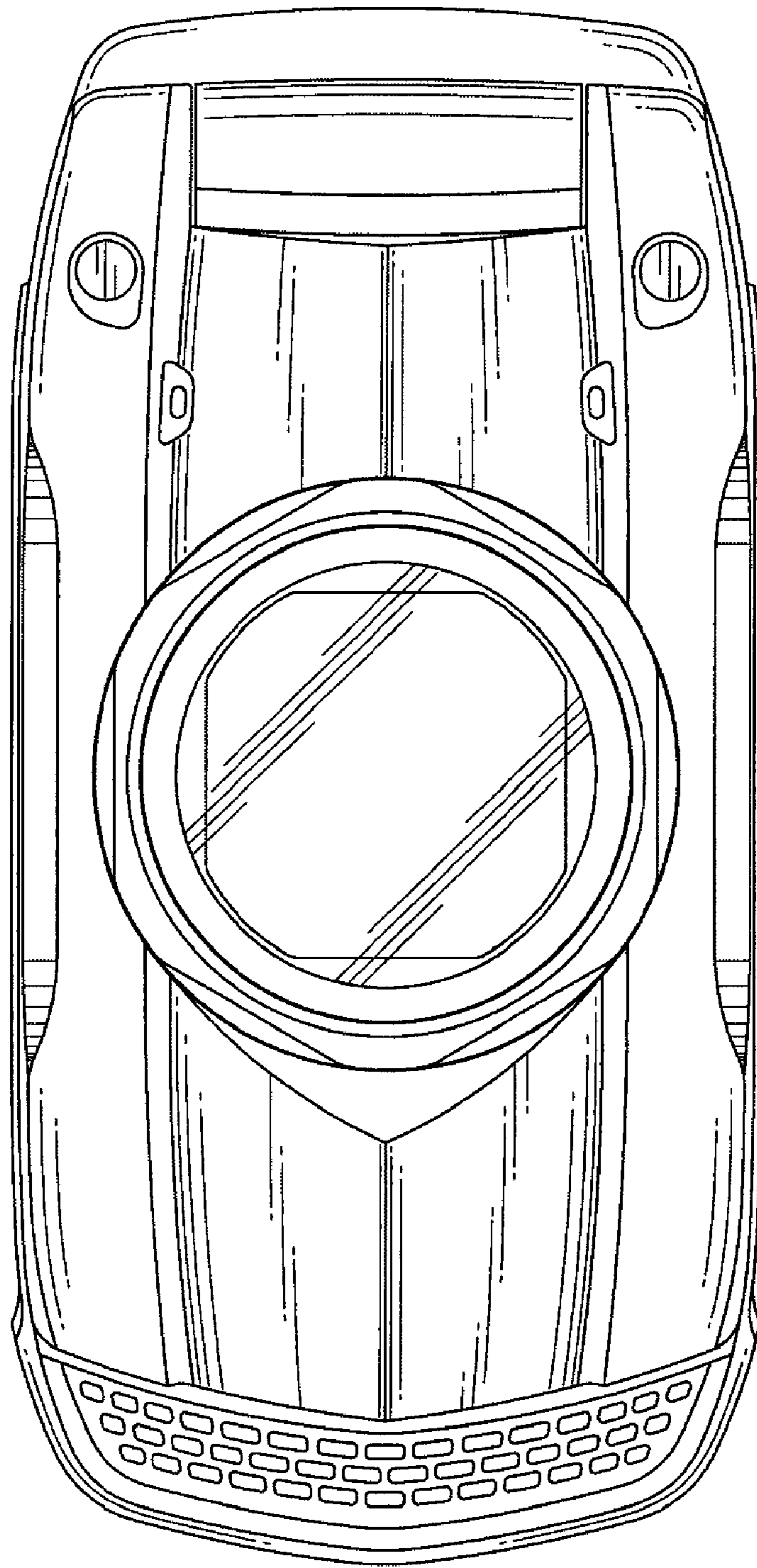


FIG. 2

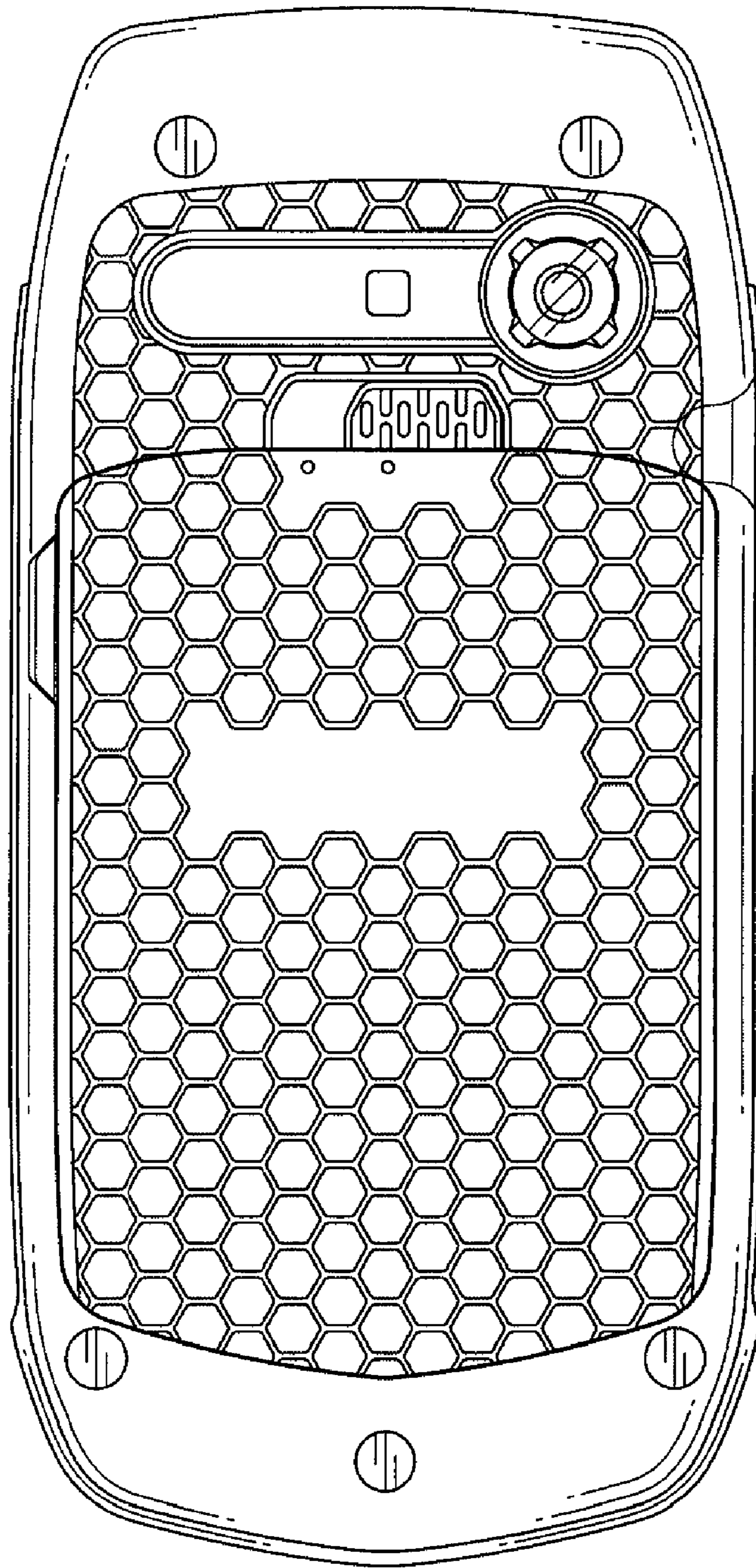


FIG 3

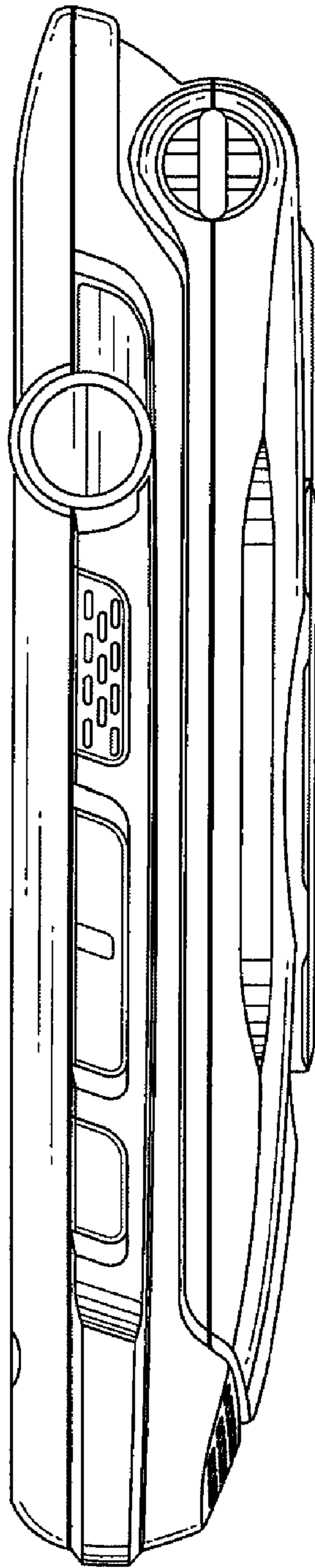


FIG. 4

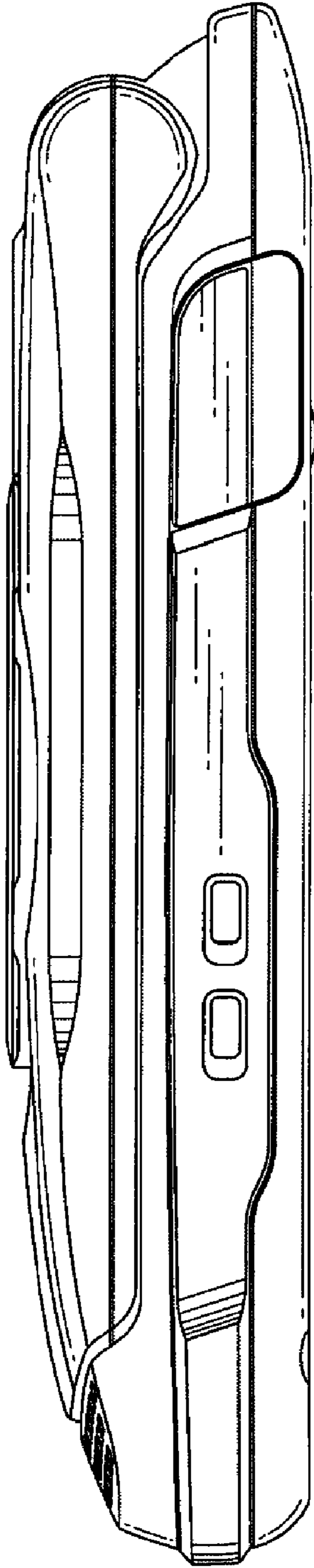


FIG. 5

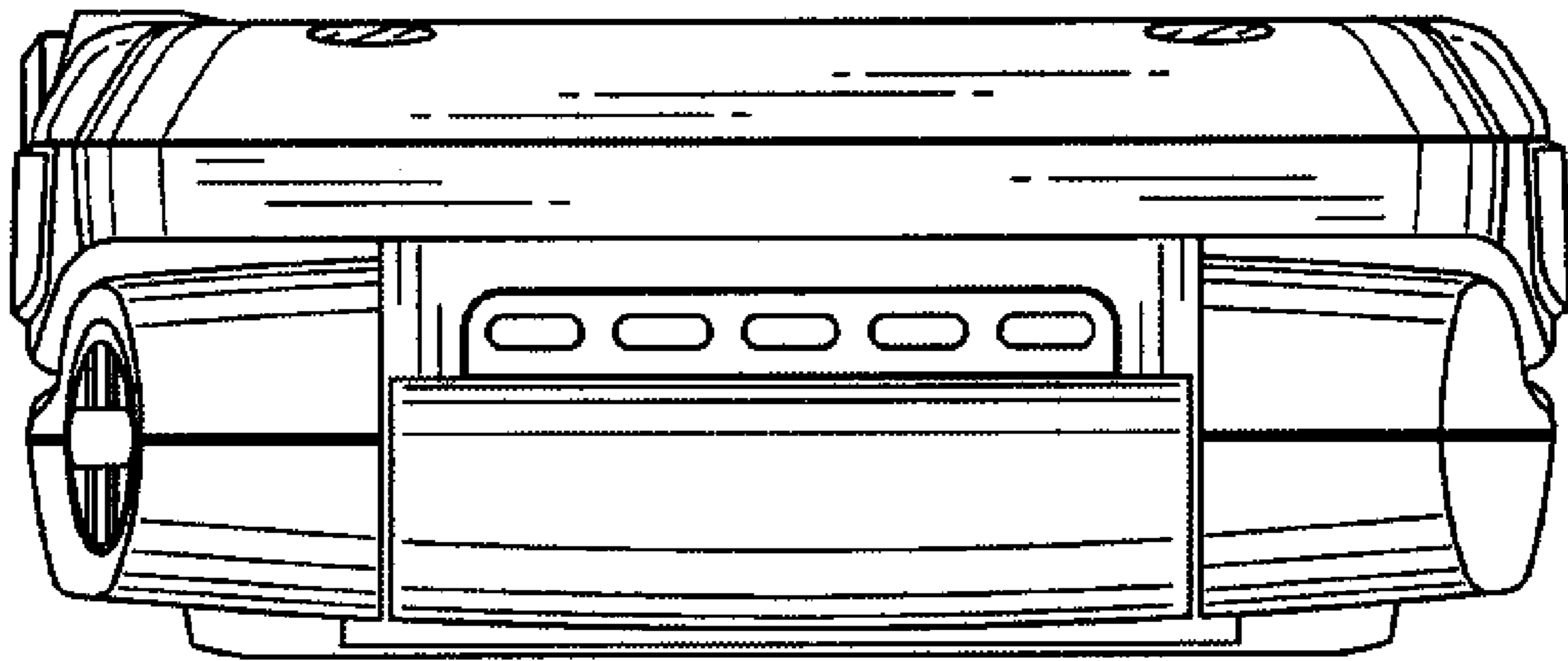


FIG 6

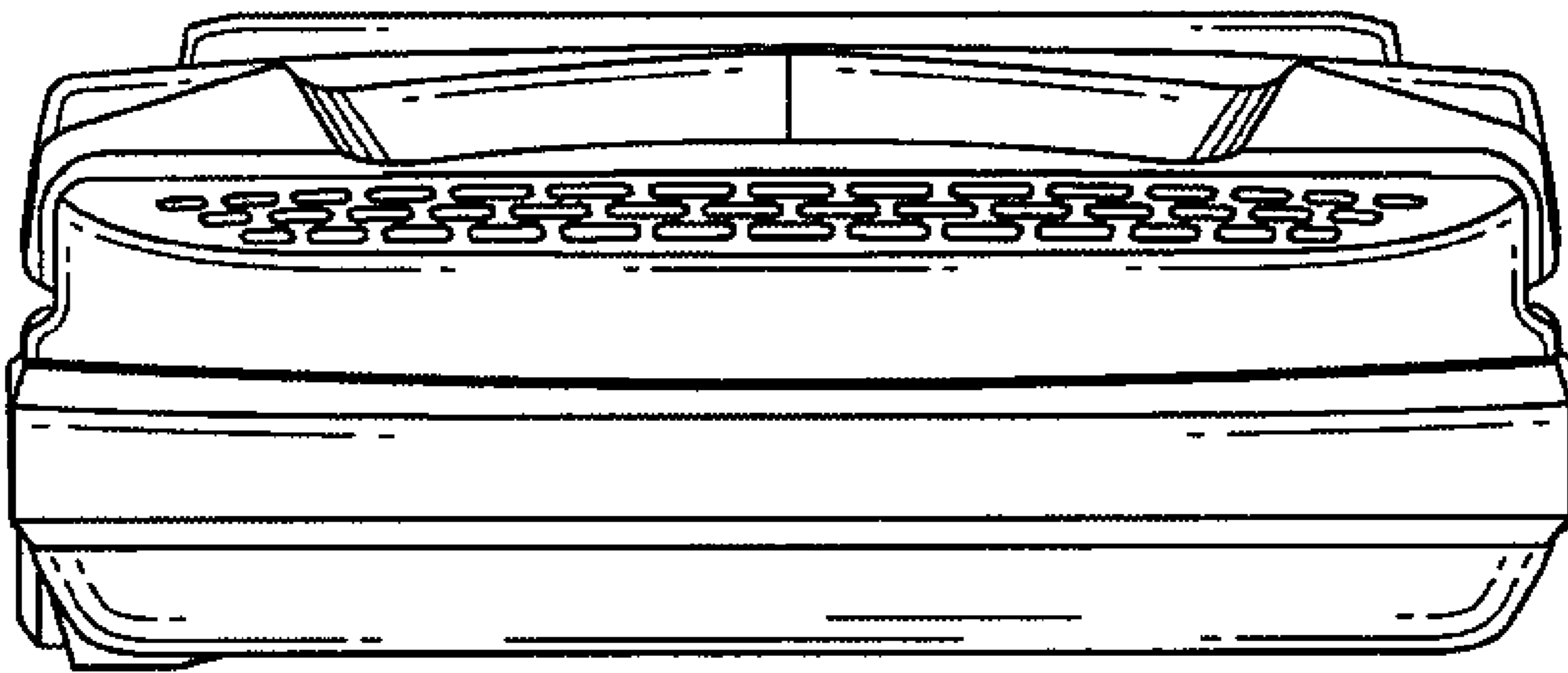


FIG. 7

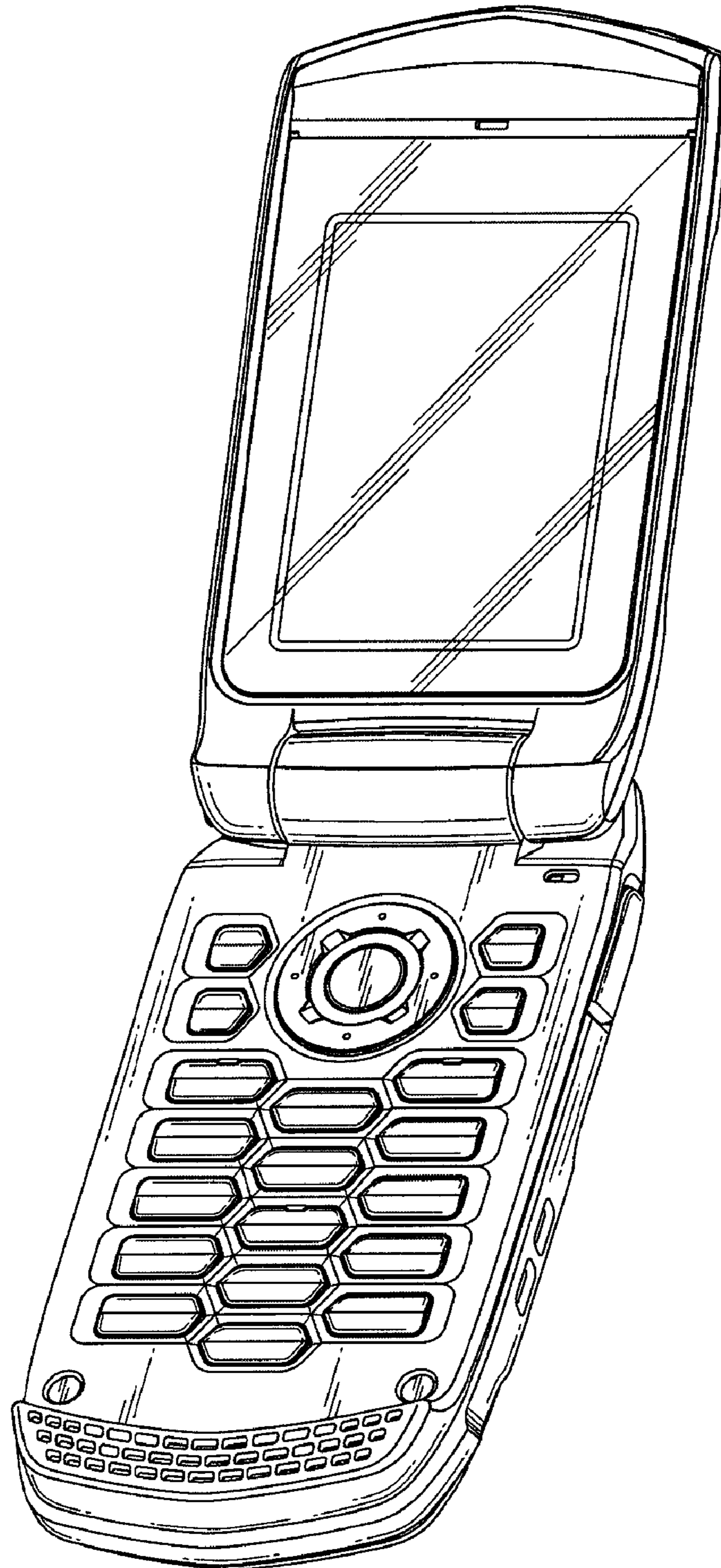


FIG. 8

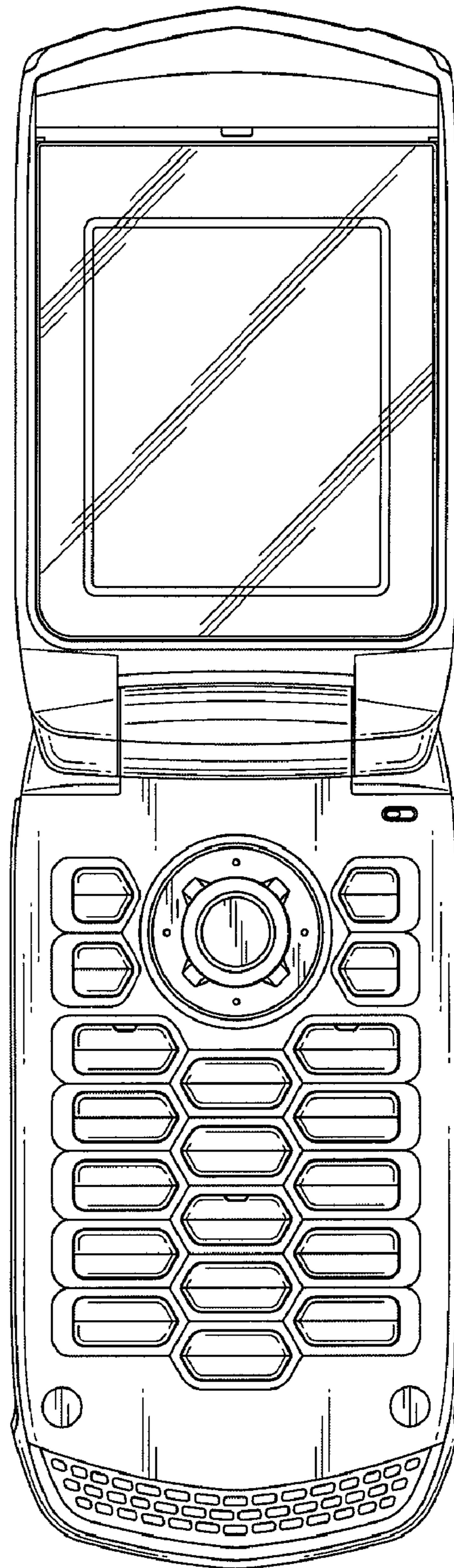


FIG. 9

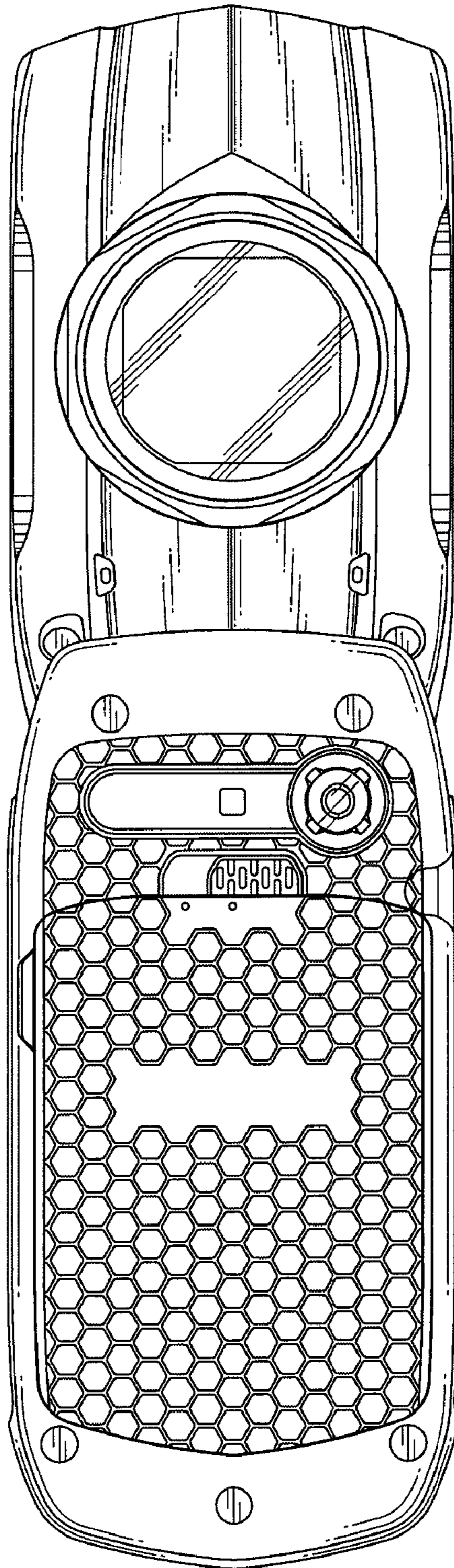


FIG. 10

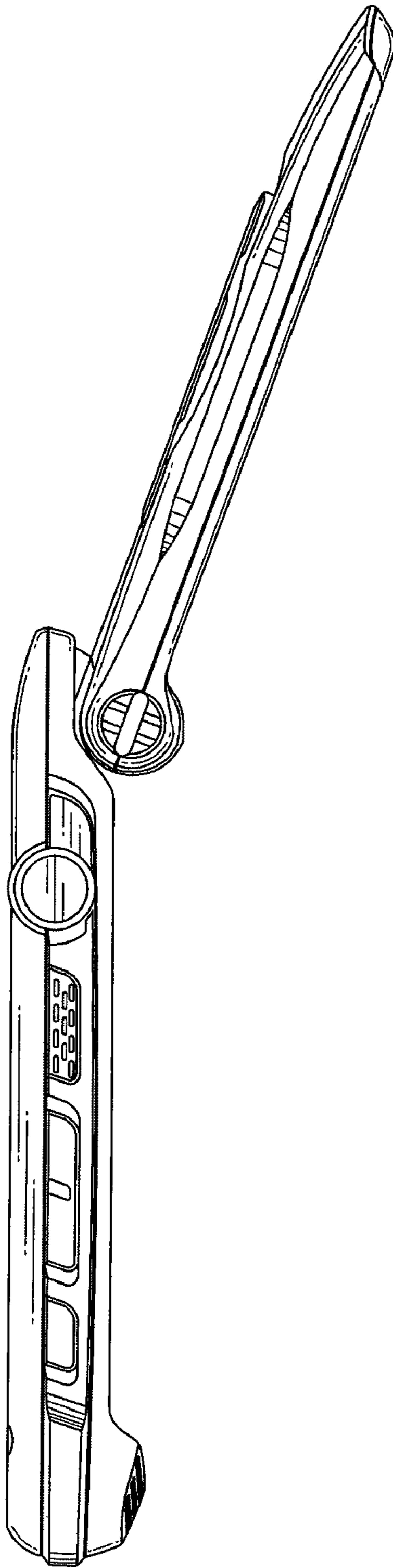


FIG. 11

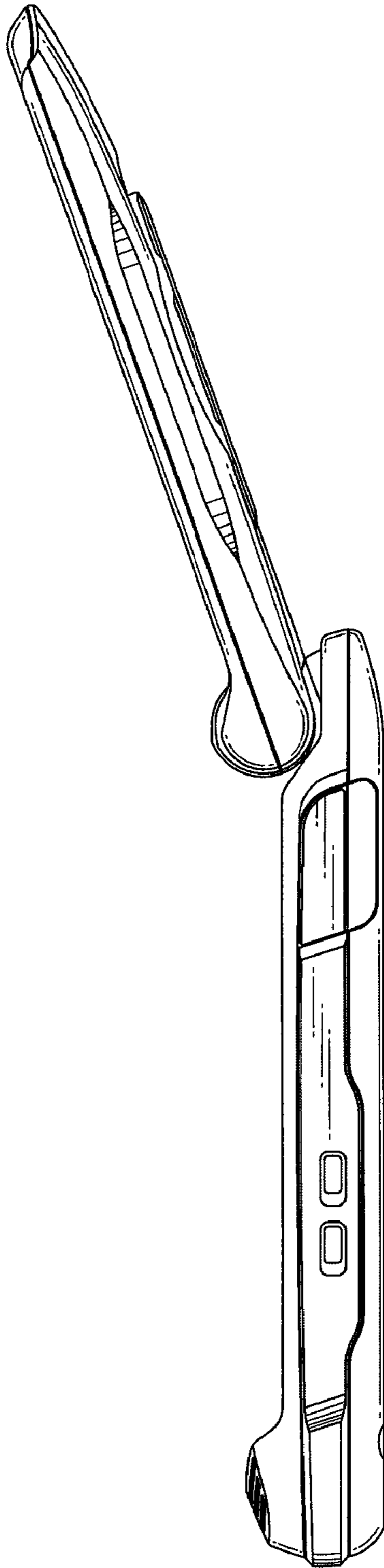


FIG. 12

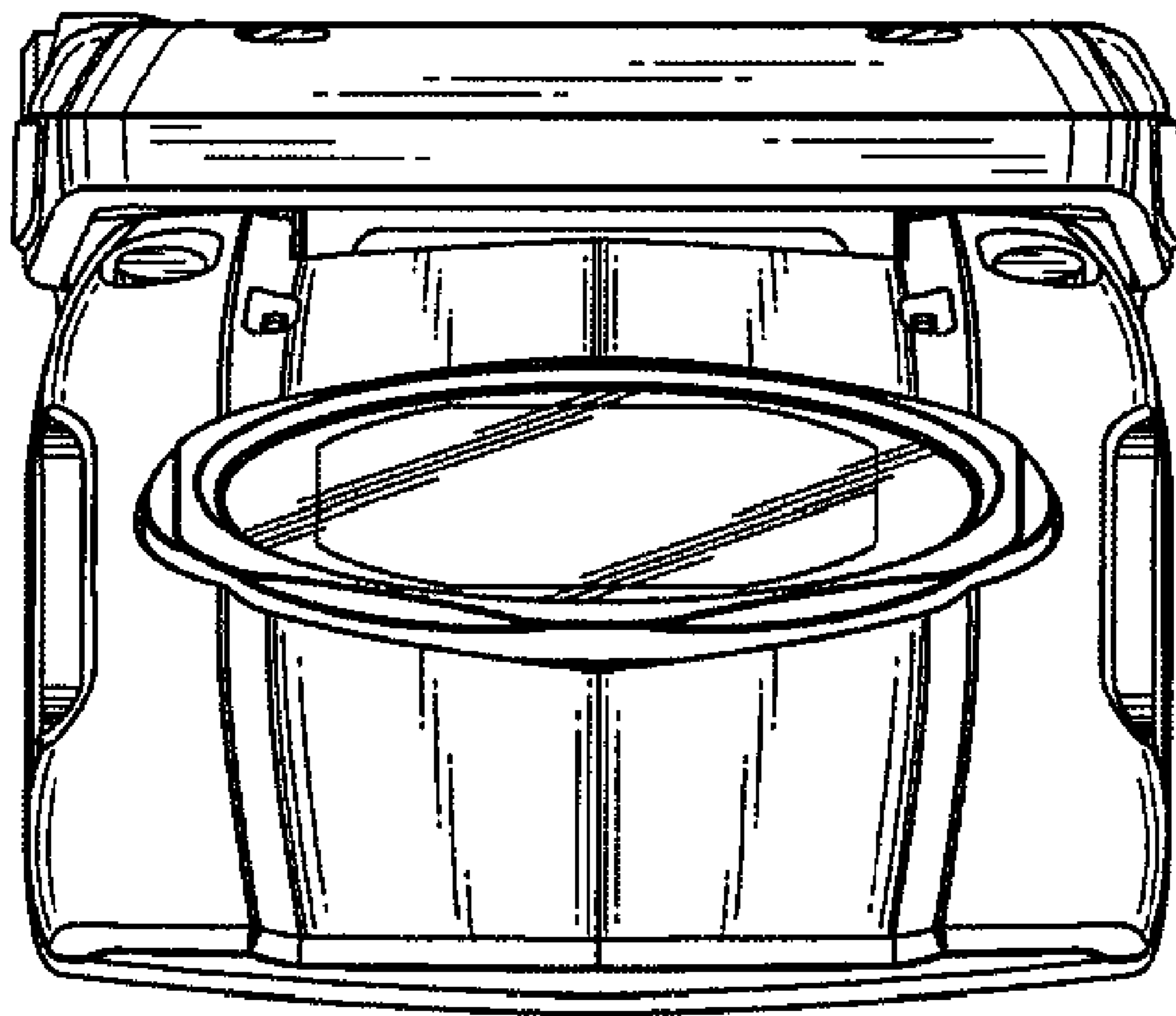


FIG 13

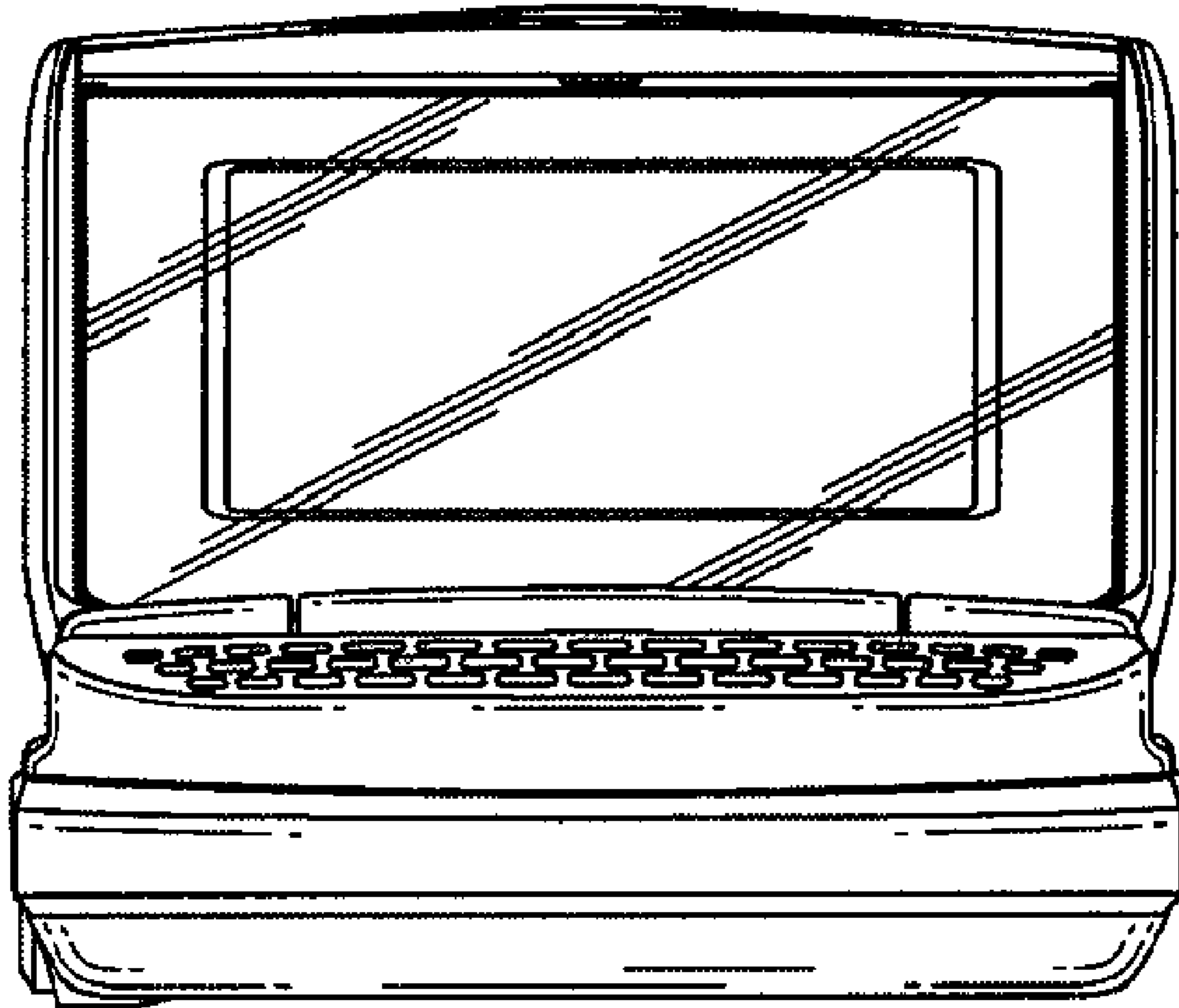


FIG 14