



US00D626103S

(12) **United States Design Patent**  
**Buzzard et al.**

(10) **Patent No.:** **US D626,103 S**  
(45) **Date of Patent:** **\*\* Oct. 26, 2010**

(54) **VIDEO UNIT WITH INTEGRATED FEATURES**

(75) Inventors: **Kyle A. Buzzard**, San Jose, CA (US);  
**Andrew R. Church**, Oakland, CA (US);  
**Ashok T. Desai**, Fremont, CA (US);  
**Daniel K. Harden**, Palo Alto, CA (US);  
**Torence Lu**, Fremont, CA (US);  
**Richard T. Wales**, Sunnyvale, CA (US);  
**Christopher L. Whittall**, Los Gatos, CA (US)

(73) Assignee: **Cisco Technology, Inc.**, San Jose, CA (US)

(\*\*) Term: **14 Years**

(21) Appl. No.: **29/358,008**

(22) Filed: **Mar. 21, 2010**

(51) **LOC (9) Cl.** ..... **14-03**

(52) **U.S. Cl.** ..... **D14/126; D14/129**

(58) **Field of Classification Search** ..... D14/125-134,  
D14/239, 371, 136, 374-377, 440, 450, 448,  
D14/336, 342; 312/7.2; 348/836, 838, 180,  
348/184, 325, 739; 341/12; 248/917-924,  
248/465; 345/104, 133, 156, 168, 87, 173;  
720/605, 669, 600, 655; 369/99, 197; 455/344,  
455/347; D21/329, 515, 577, 622, 333, 433,  
D21/448, 452, 450, 331; D6/477, 479, 300;  
273/148 B; 446/484, 175, 356; D10/15,  
D10/26

See application file for complete search history.

(56) **References Cited**

**U.S. PATENT DOCUMENTS**

D533,525 S *	12/2006	Arie	.....	D14/129
D533,852 S *	12/2006	Ma	.....	D14/126
D534,511 S *	1/2007	Maeda et al.	.....	D14/129
D535,954 S *	1/2007	Hwang et al.	.....	D14/126
D539,243 S *	3/2007	Chiu et al.	.....	D14/126
D541,773 S *	5/2007	Chong et al.	.....	D14/126
D542,247 S *	5/2007	Kinoshita et al.	.....	D14/129

D550,635 S *	9/2007	DeMaio et al.	.....	D14/126
D551,184 S *	9/2007	Kanou et al.	.....	D14/126
D555,610 S *	11/2007	Yang et al.	.....	D14/126
D567,202 S *	4/2008	Rieu Piquet	.....	D14/126
D578,496 S *	10/2008	Leonard	.....	D14/126
D588,560 S *	3/2009	Mellingen et al.	.....	D14/126
D602,453 S *	10/2009	Ding et al.	.....	D14/126
D610,560 S *	2/2010	Chen	.....	D14/126
D615,514 S *	5/2010	Mellingen et al.	.....	D14/126

**OTHER PUBLICATIONS**

U.S. Appl. No. 29/358,006, filed Mar. 21, 2010, entitled "Mounted Video Unit," Inventor(s): Ashok T. Desai et al.  
U.S. Appl. No. 29/358,007, filed Mar. 21, 2010, entitled "Video Unit with Integrated Features," Inventor(s): Kye A. Buzzard et al.  
U.S. Appl. No. 29/358,009, filed Mar. 21, 2010, entitled "Free-Standing Video Unit," Inventor(s): Ashok T. Desai et al.

\* cited by examiner

*Primary Examiner*—Raphael Barkai  
(74) *Attorney, Agent, or Firm*—Patent Capital Group

(57) **CLAIM**

The ornamental design for a video unit with integrated features, as shown and described.

**DESCRIPTION**

FIG. 1 is a top perspective view showing a video unit with integrated features showing our new design;

FIG. 2 is a front view thereof;

FIG. 3 is a back view thereof;

FIG. 4 is a side view thereof;

FIG. 5 is another side view thereof;

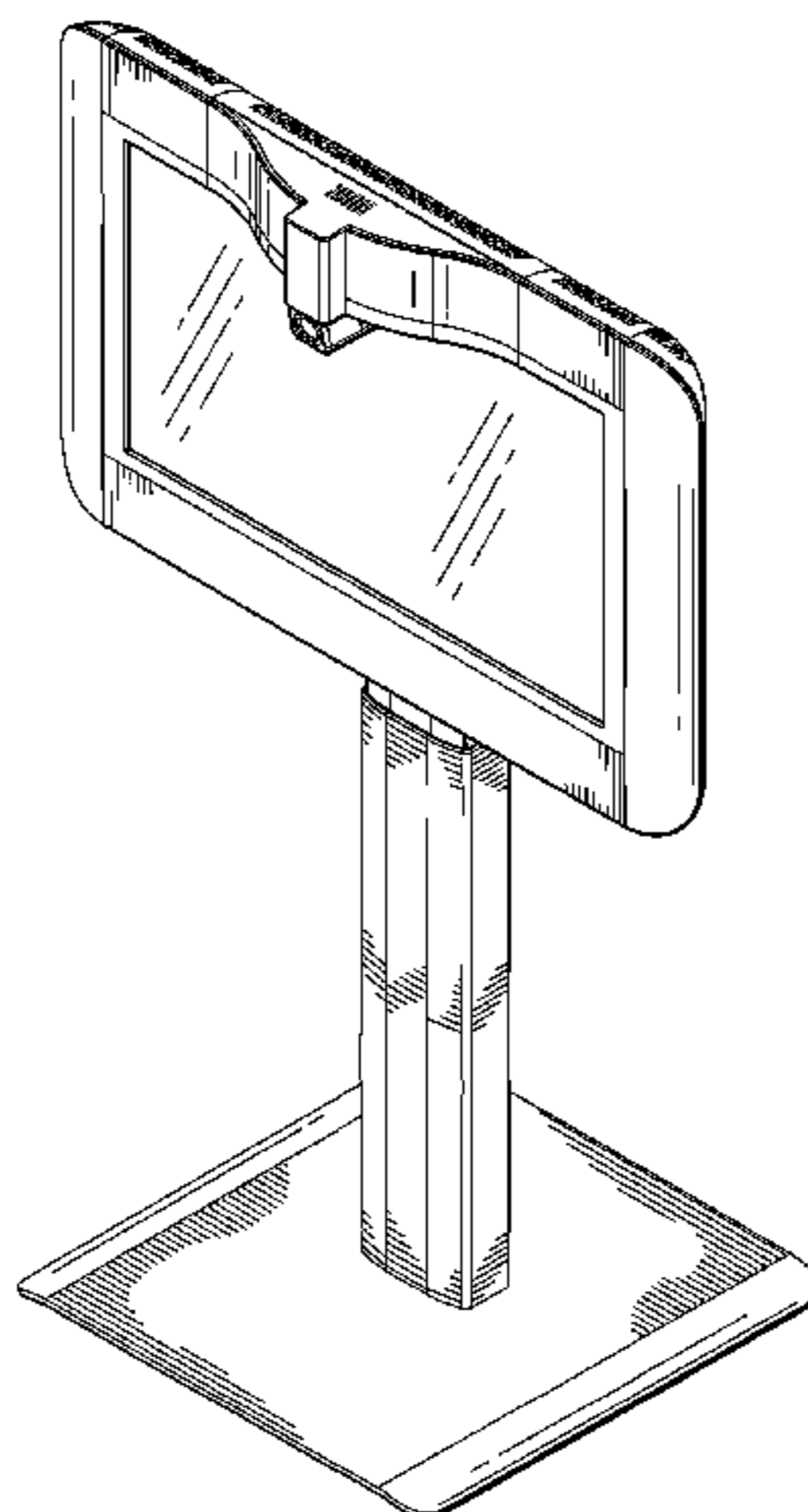
FIG. 6 is a top view thereof;

FIG. 7 is a bottom view thereof; and,

FIG. 8 is a rear perspective view thereof.

The broken lines of the preceding Figures illustrate a boundary and, further, the broken lines are for illustration only and form no part of the claimed design.

**1 Claim, 6 Drawing Sheets**



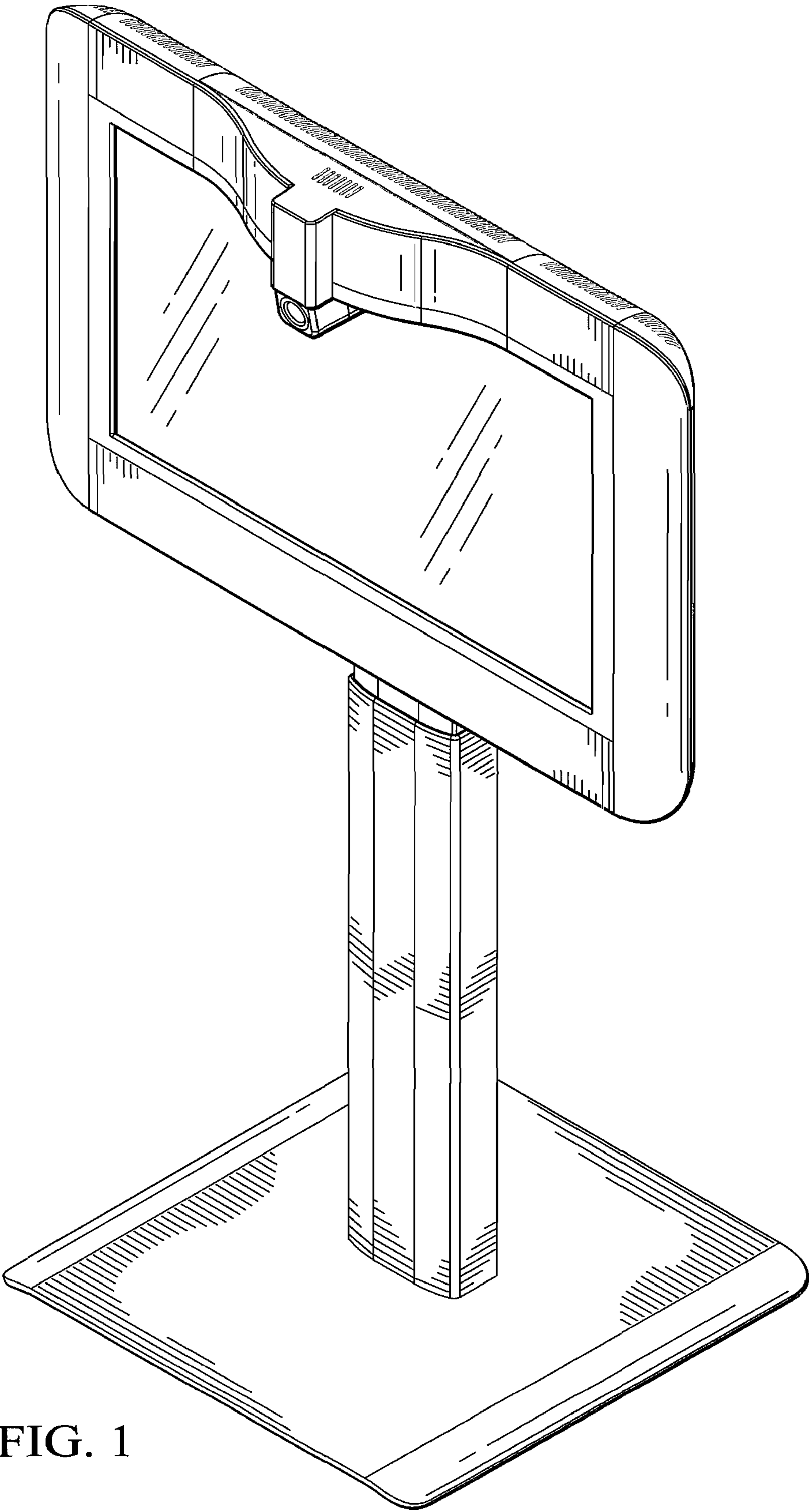


FIG. 1

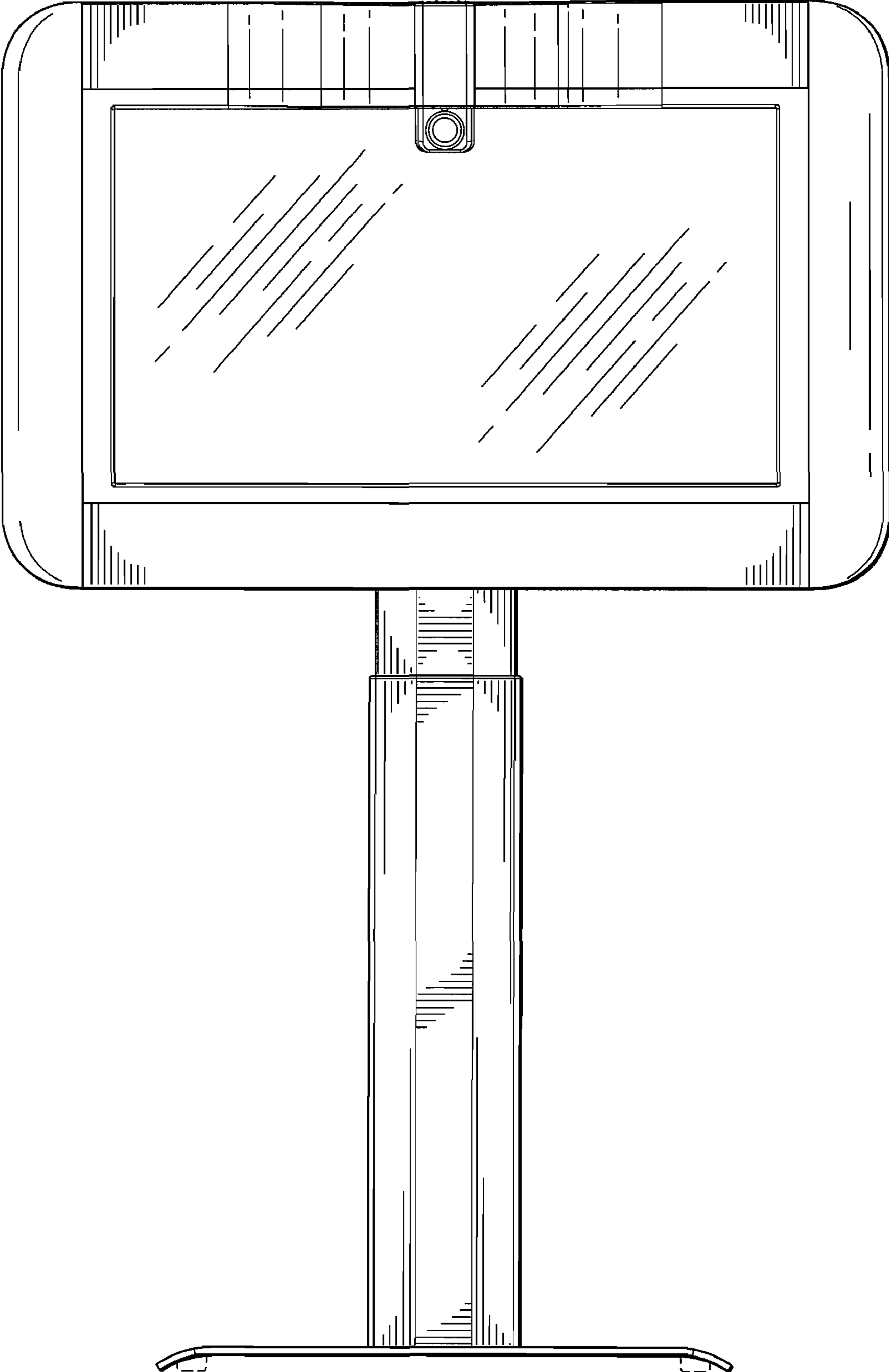


FIG. 2

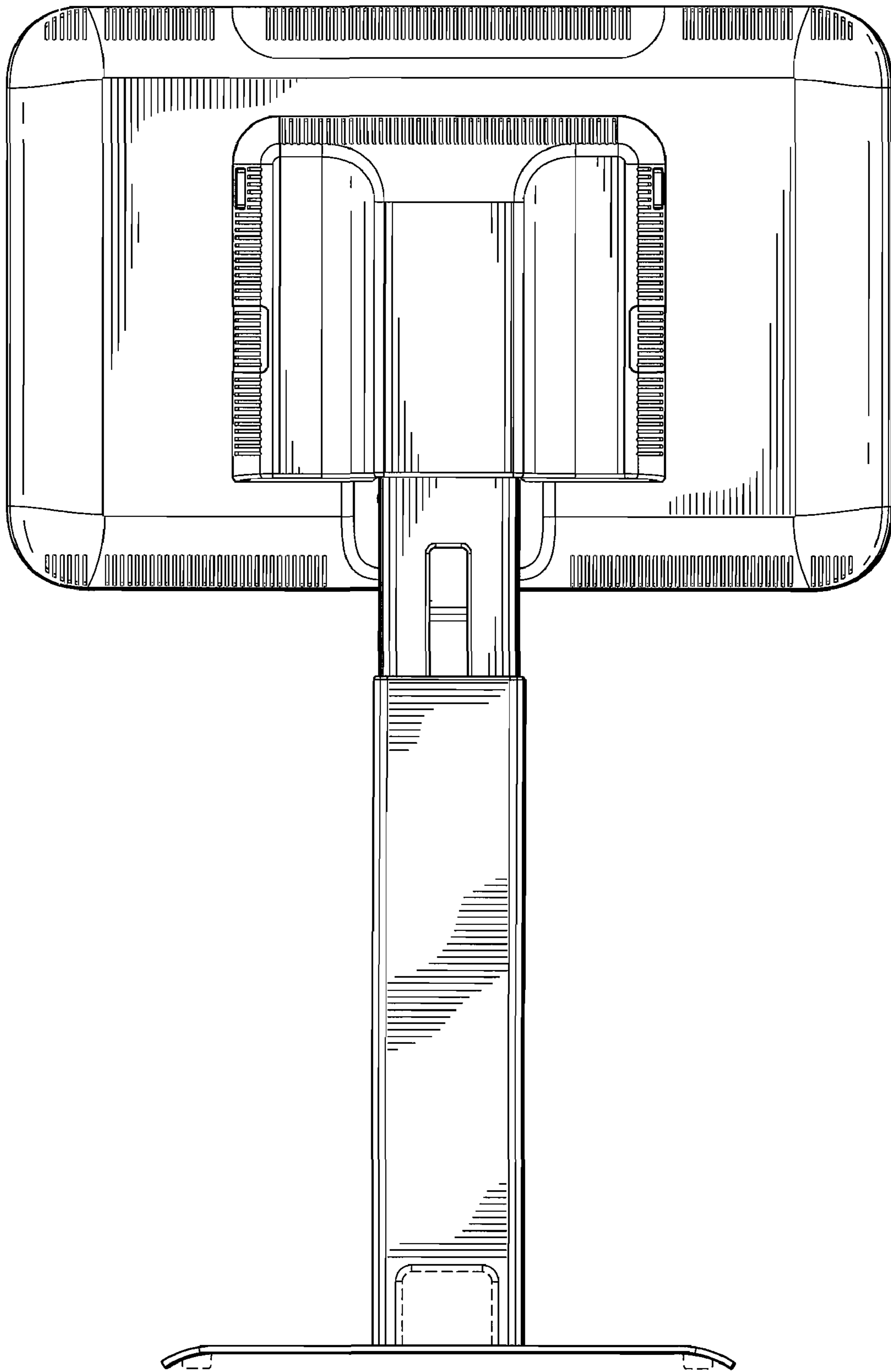


FIG. 3

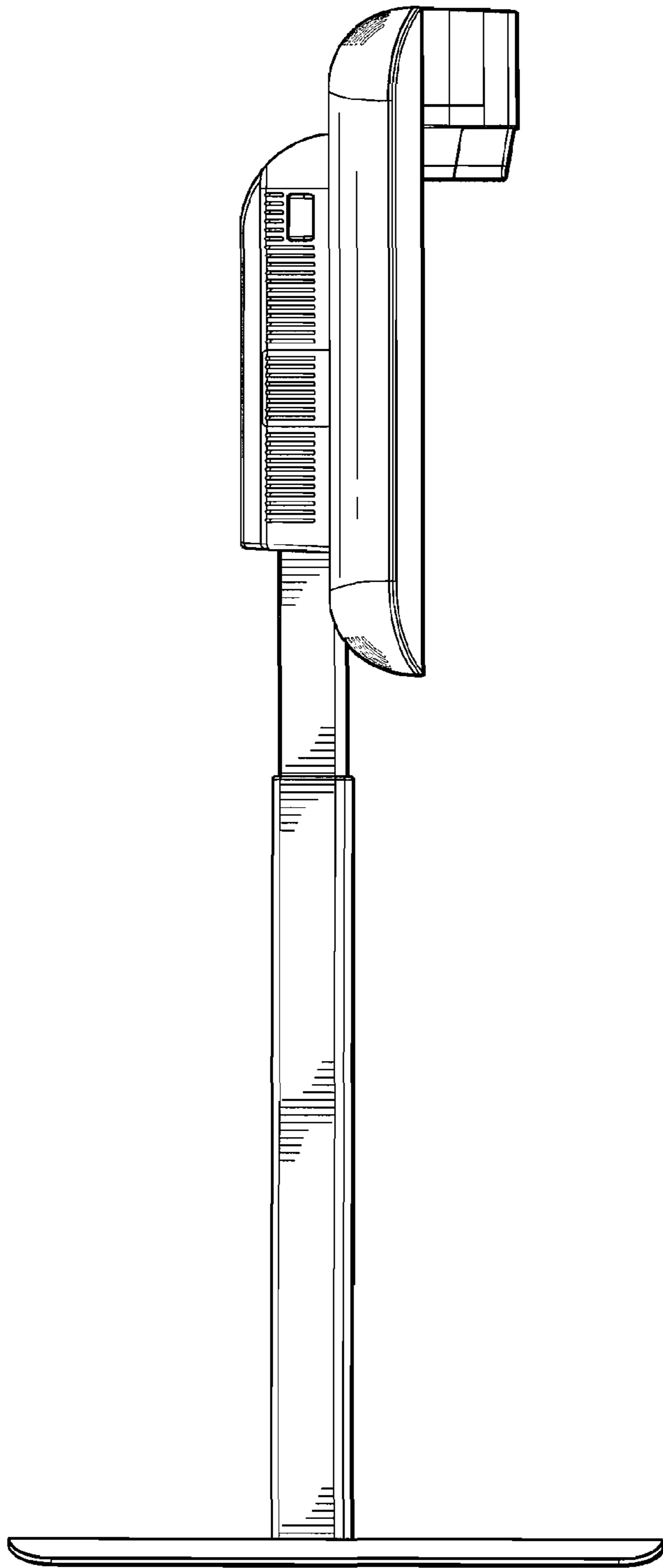


FIG. 4

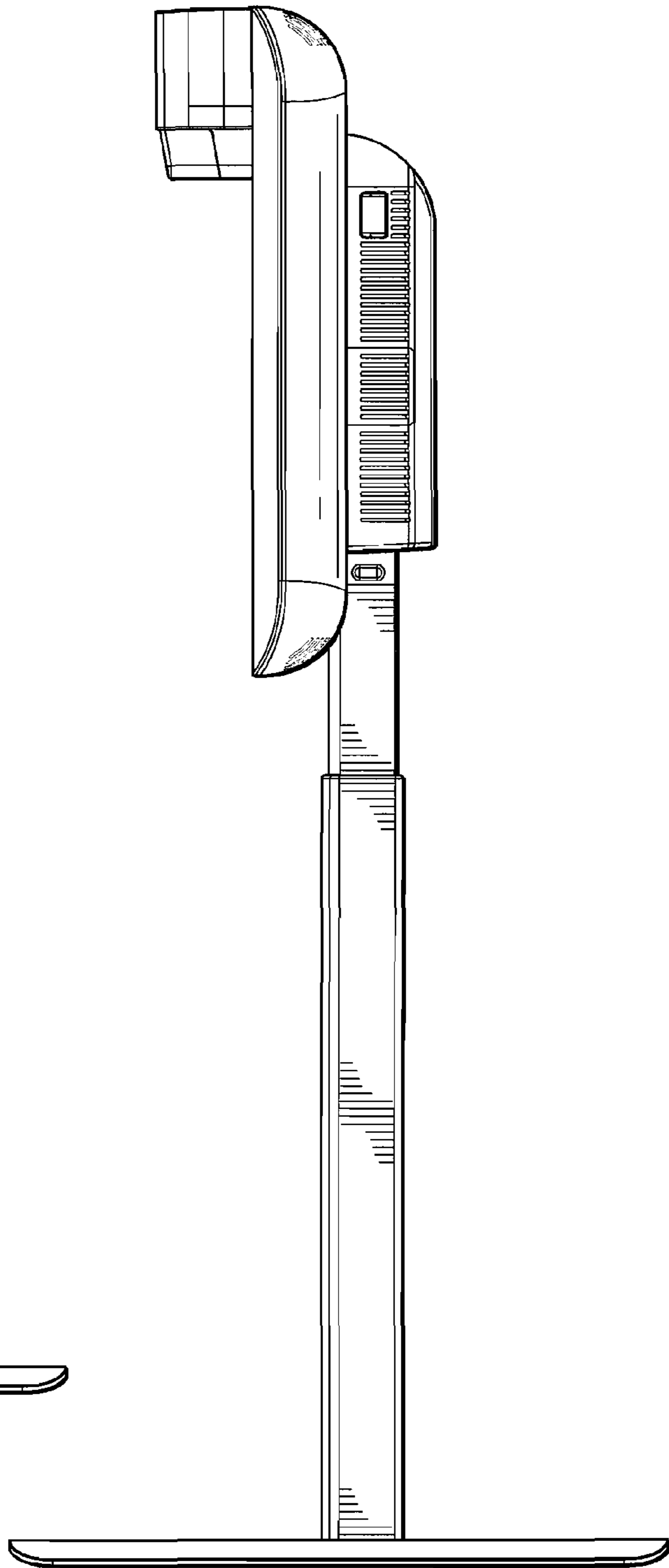


FIG. 5

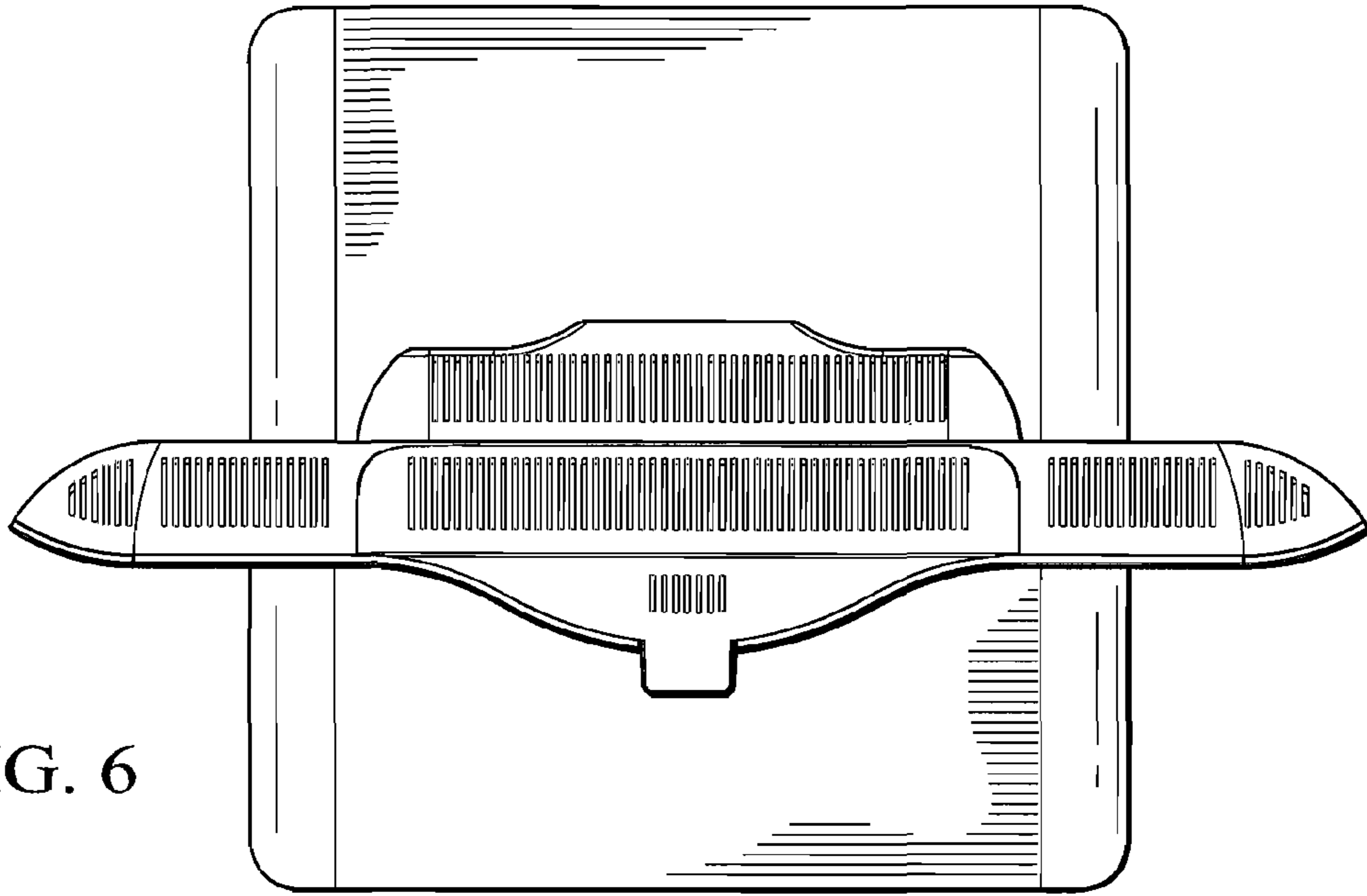


FIG. 6

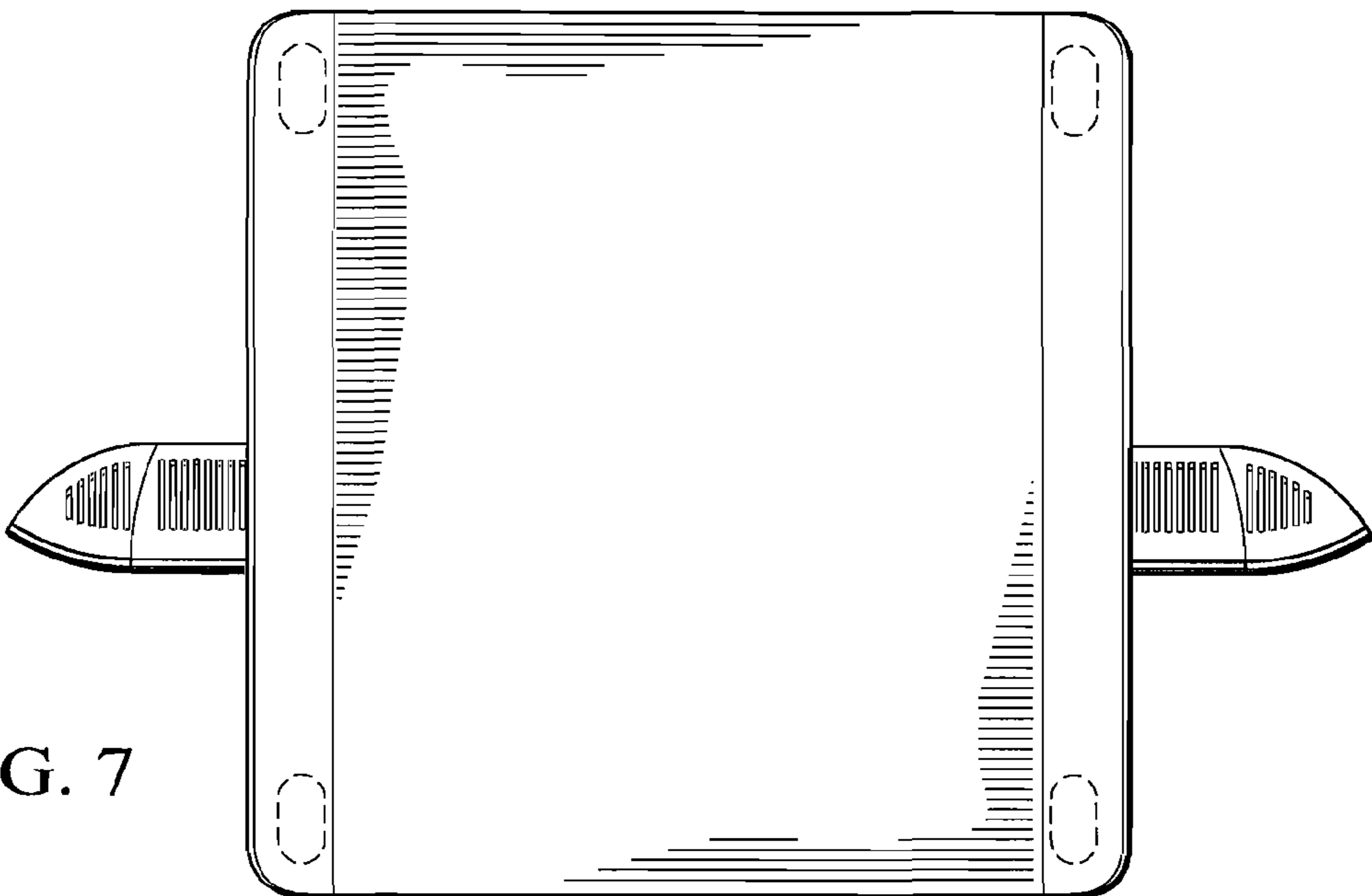


FIG. 7

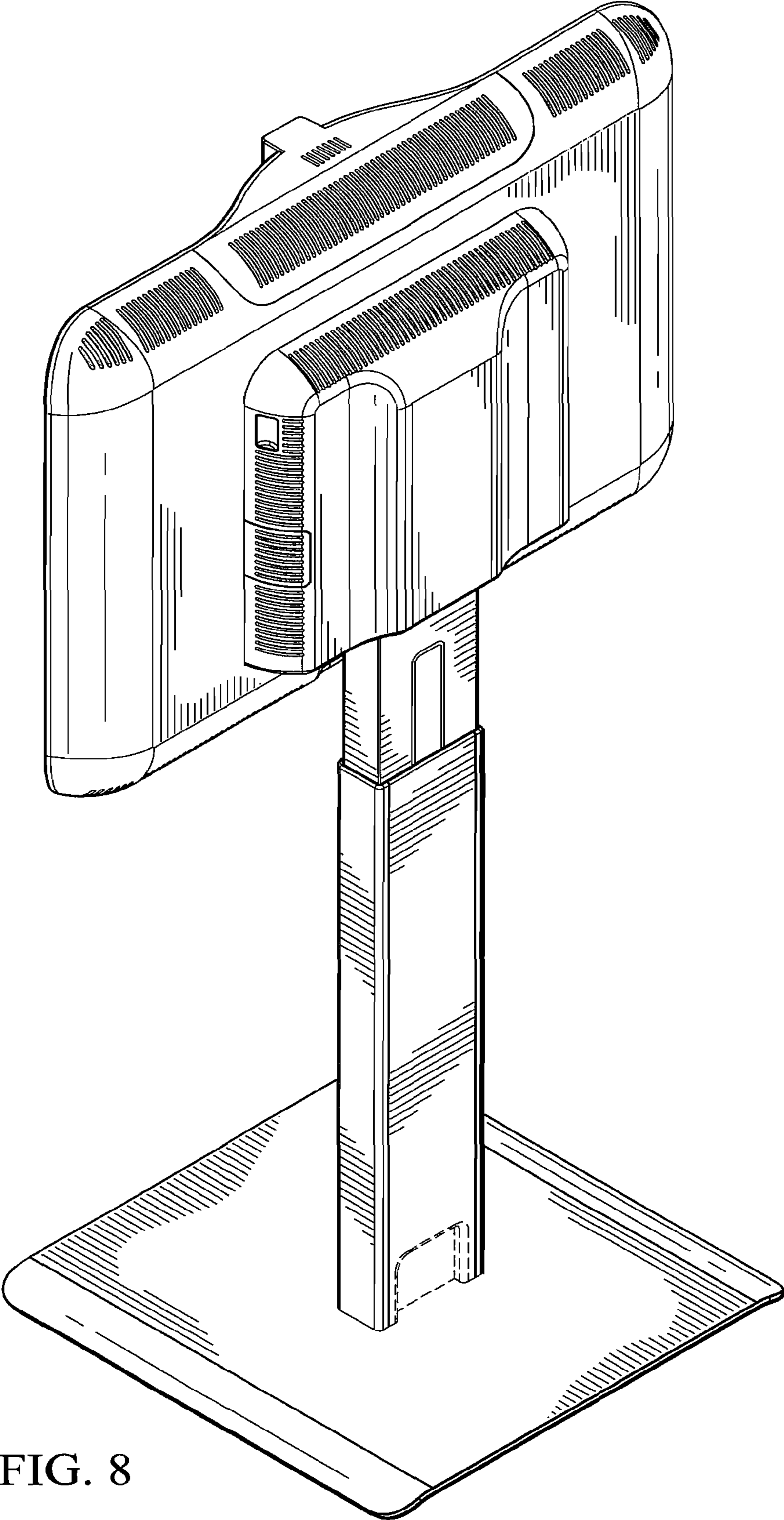


FIG. 8