



US00D626102S

(12) **United States Design Patent**
Buzzard et al.

(10) **Patent No.:** **US D626,102 S**
(45) **Date of Patent:** **** Oct. 26, 2010**

(54) **VIDEO UNIT WITH INTEGRATED FEATURES**

(76) Inventors: **Kyle A. Buzzard**, 1086 Foxchase Dr., Apt. 288, San Jose, CA (US) 95123; **Andrew R. Church**, 6810 Broadway Ter., Oakland, CA (US) 94611; **Ashok T. Desai**, 45968 Omega Dr., Fremont, CA (US) 94539; **Daniel K. Harden**, 760 Northampton Dr., Palo Alto, CA (US) 94303; **Juli A. Satoh**, 771 Alder Dr., Milpitas, CA (US) 95035; **Richard T. Wales**, 760 Caribou Ct., Sunnyvale, CA (US) 94087; **Christopher L. Whittall**, 17371 Locust Dr., Los Gatos, CA (US) 95033

(**) Term: **14 Years**

(21) Appl. No.: **29/358,007**

(22) Filed: **Mar. 21, 2010**

(51) **LOC (9) Cl.** **14-03**

(52) **U.S. Cl.** **D14/126; D14/129**

(58) **Field of Classification Search** D14/125-134, D14/239, 371, 136, 374-377, 440, 450, 448, D14/336, 342; 312/7.2; 348/836, 838, 180, 348/184, 325, 739; 341/12; 248/917-924, 248/465; 345/104, 133, 156, 168, 87, 173; 720/605, 669, 600, 655; 369/99, 197; D21/329, D21/515, 577, 622, 333, 433, 448, 452, 450, D21/331; D6/477, 479, 300; 273/148 B; 446/484, 175, 356; D10/15, 26

See application file for complete search history.

(56) **References Cited**

U.S. PATENT DOCUMENTS

D533,525 S * 12/2006 Arie D14/129
D533,852 S * 12/2006 Ma D14/126
D534,511 S * 1/2007 Maeda et al. D14/129
D535,954 S * 1/2007 Hwang et al. D14/126
D539,243 S * 3/2007 Chiu et al. D14/126

D541,773 S * 5/2007 Chong et al. D14/126
D542,247 S * 5/2007 Kinoshita et al. D14/129
D550,635 S * 9/2007 DeMaio et al. D14/126
D551,184 S * 9/2007 Kanou et al. D14/126
D555,610 S * 11/2007 Yang et al. D14/126
D567,202 S * 4/2008 Rieu Piquet D14/126
D578,496 S * 10/2008 Leonard D14/126
D588,560 S * 3/2009 Mellingen et al. D14/126
D602,453 S * 10/2009 Ding et al. D14/126
D610,560 S * 2/2010 Chen D14/126
D615,514 S * 5/2010 Mellingen et al. D14/126

OTHER PUBLICATIONS

U.S. Appl. No. 29/358,006, filed Mar. 21, 2010, entitled "Mounted Video Unit," Inventor(s): Ashok T. Desai et al.
U.S. Appl. No. 29/358,008, filed Mar. 21, 2010, entitled "Video Unit With Integrated Features," Inventor(s): Kyle A. Buzzard et al.
U.S. Appl. No. 29/358,009, filed Mar. 21, 2010, entitled "Free-Standing Video Unit," Inventor(s): Ashok T. Desai et al.

* cited by examiner

Primary Examiner—Raphael Barkai

(57) **CLAIM**

The ornamental design for a video unit with integrated features, as shown and described.

DESCRIPTION

FIG. 1 is a top perspective view showing a video unit with integrated features design according to one embodiment;

FIG. 2 is a front view thereof;

FIG. 3 is a back view thereof;

FIG. 4 is a side view thereof;

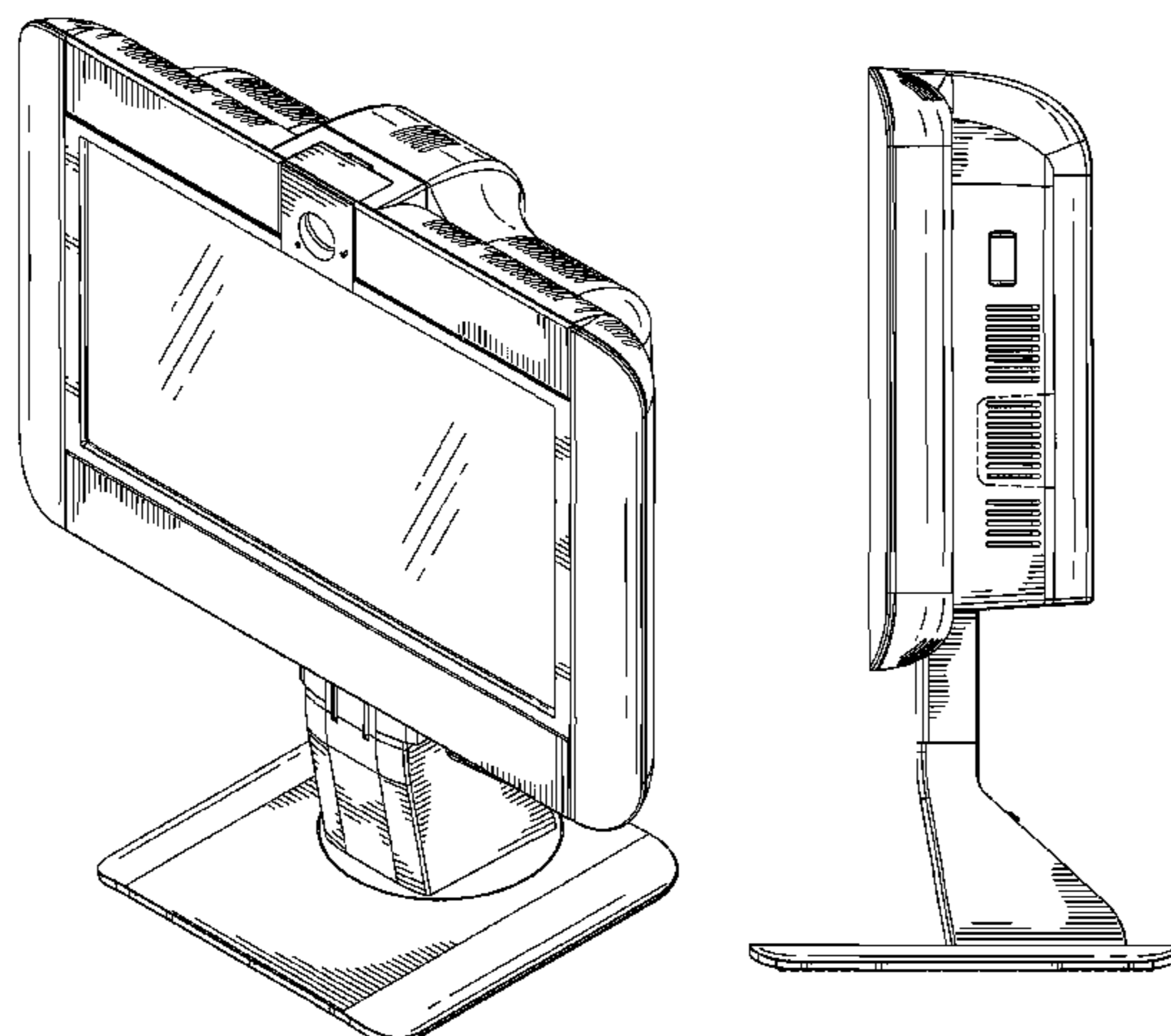
FIG. 5 is another side view thereof;

FIG. 6 is a top view thereof; and,

FIG. 7 is a bottom view thereof.

The broken lines of the preceding FIGURES illustrate a boundary and, further, the broken lines are for illustration only and form no part of the claimed design.

1 Claim, 6 Drawing Sheets



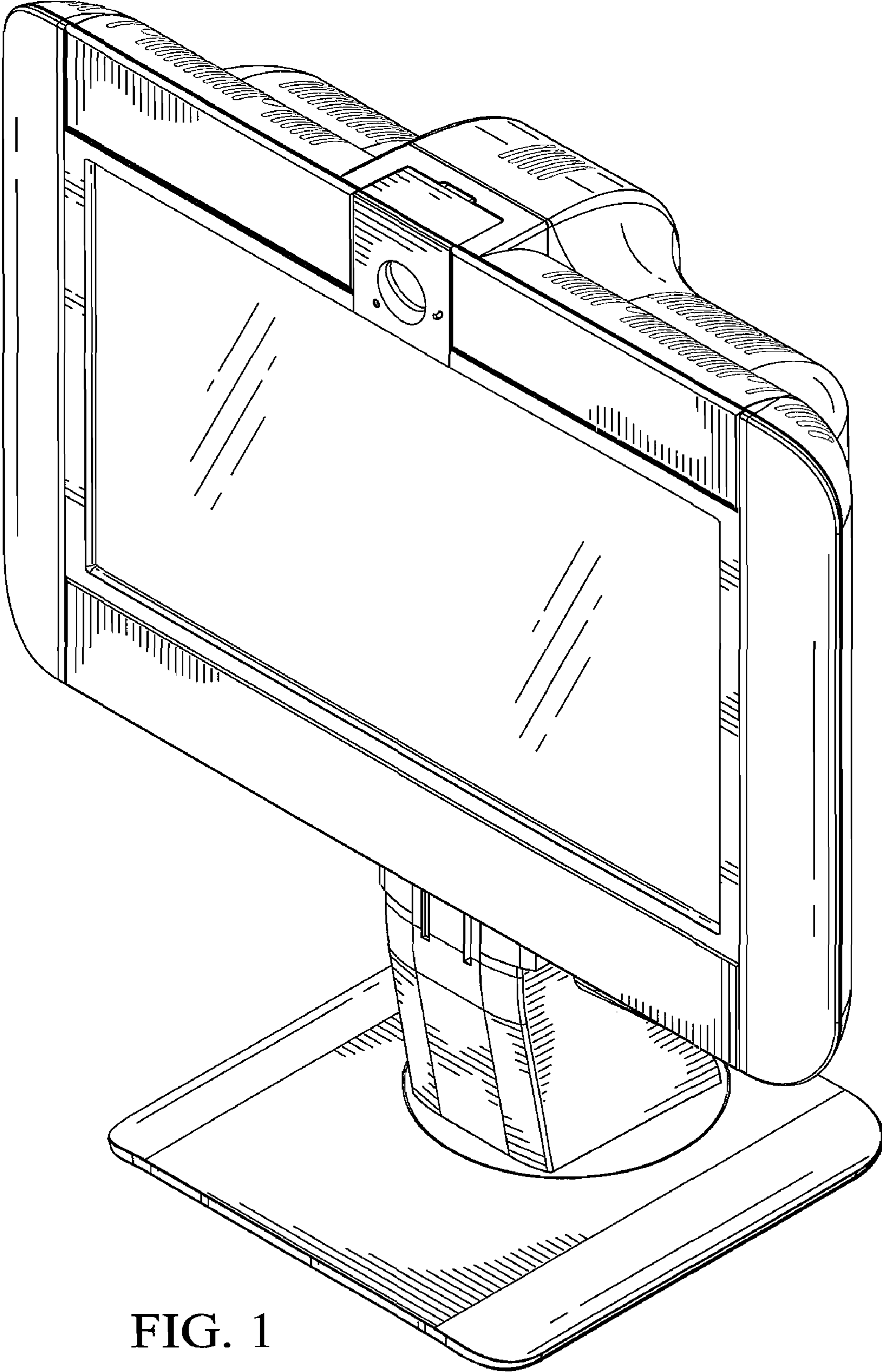


FIG. 1

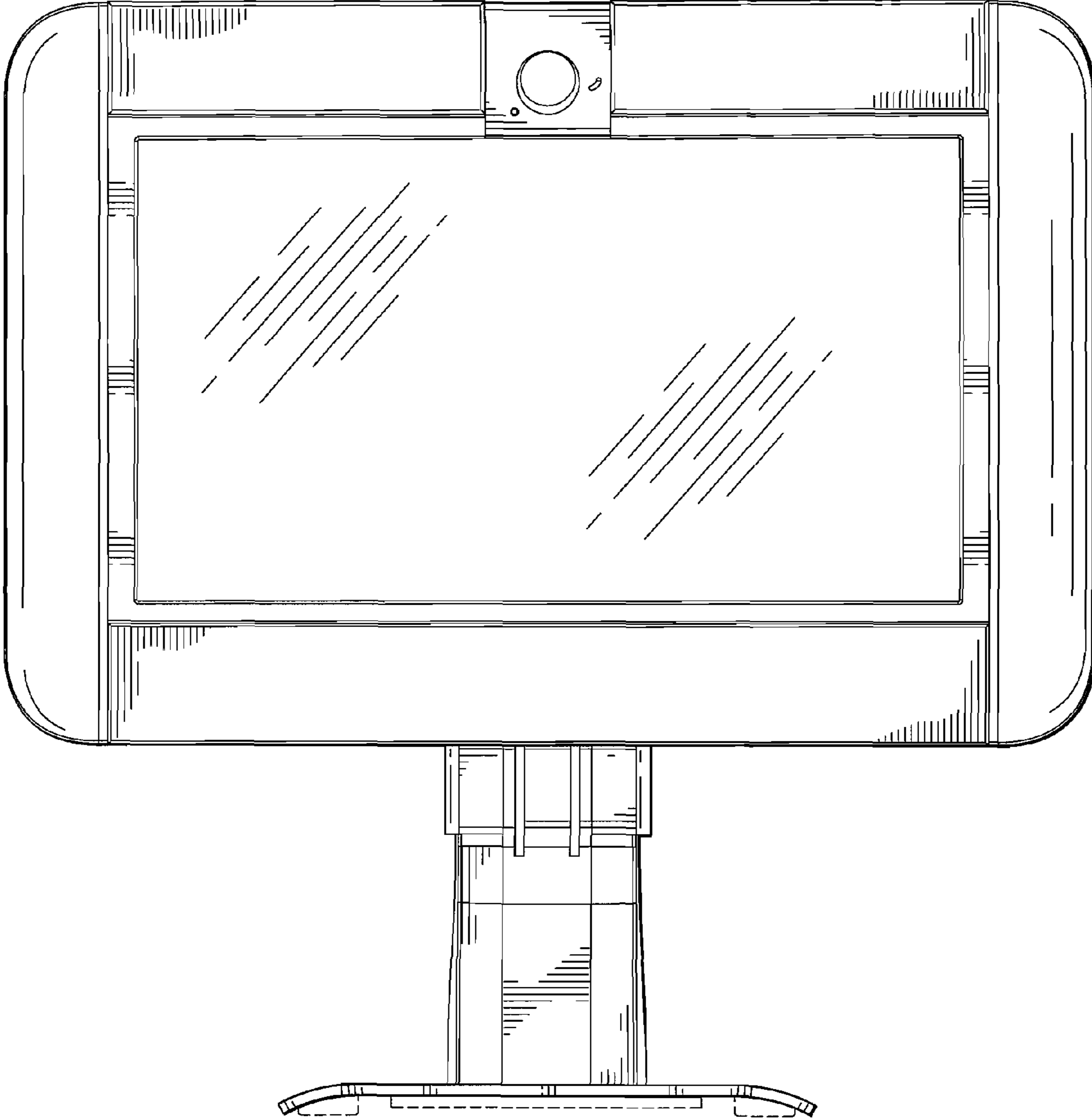


FIG. 2

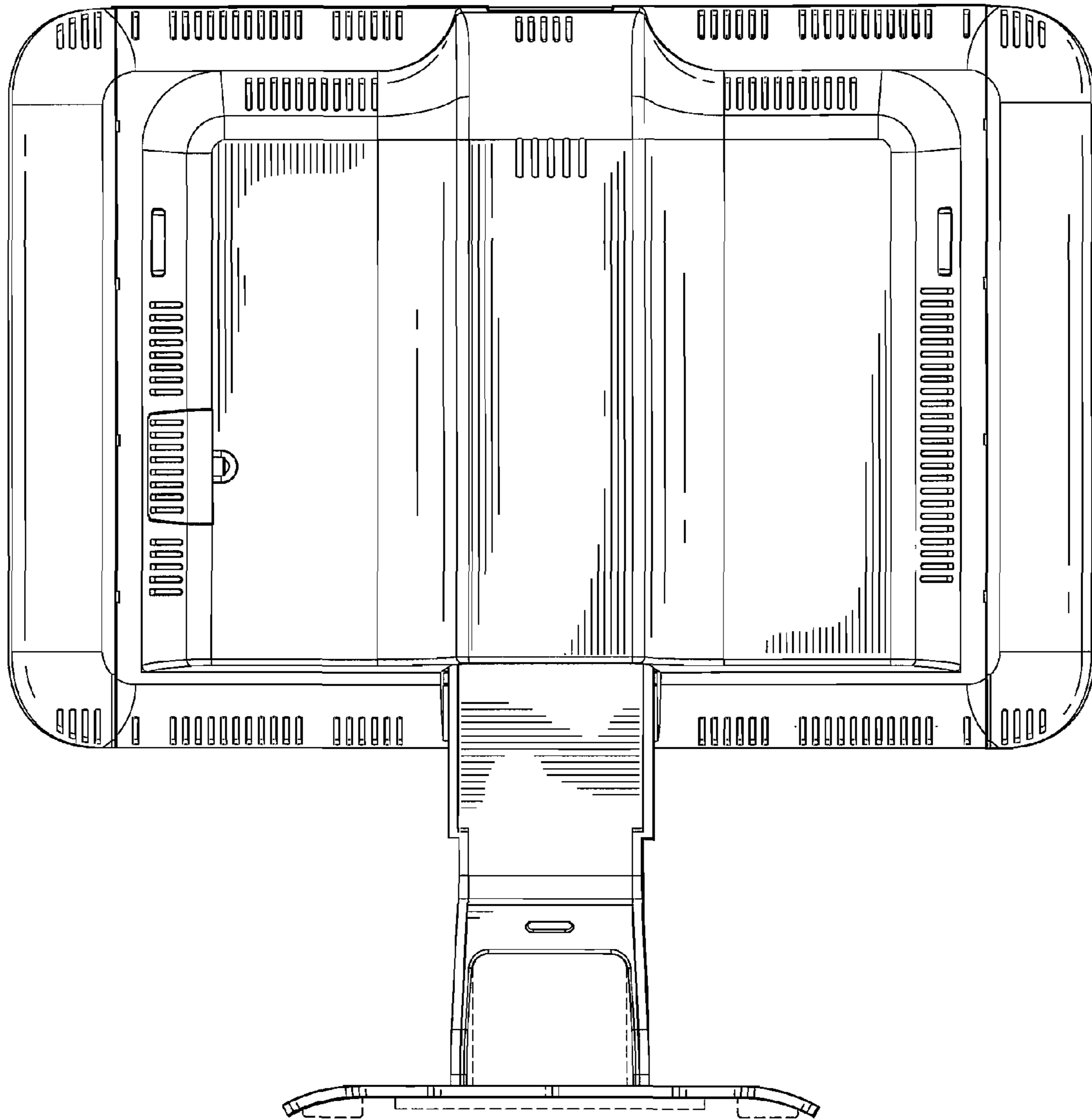


FIG. 3

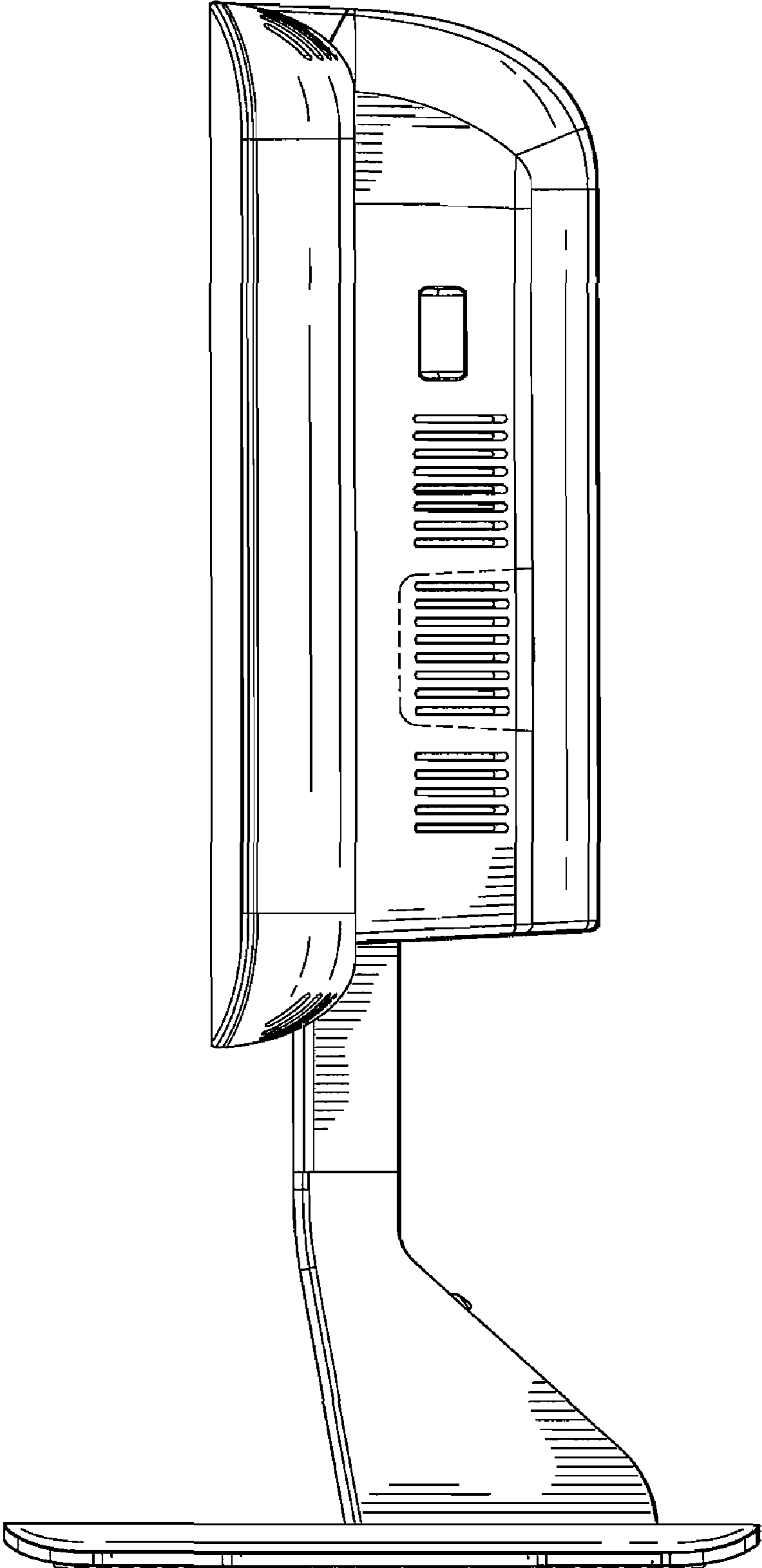


FIG. 4

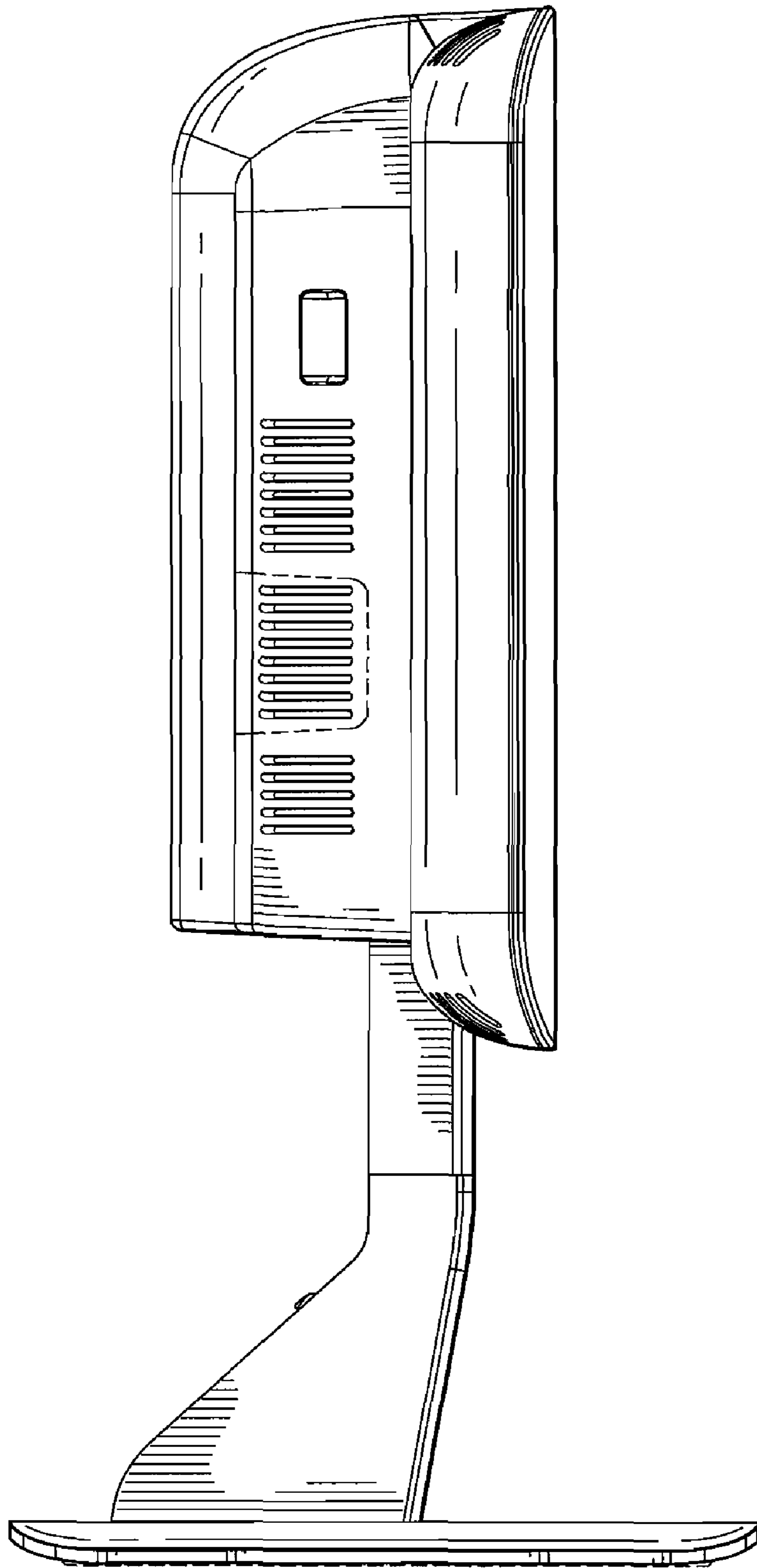


FIG. 5

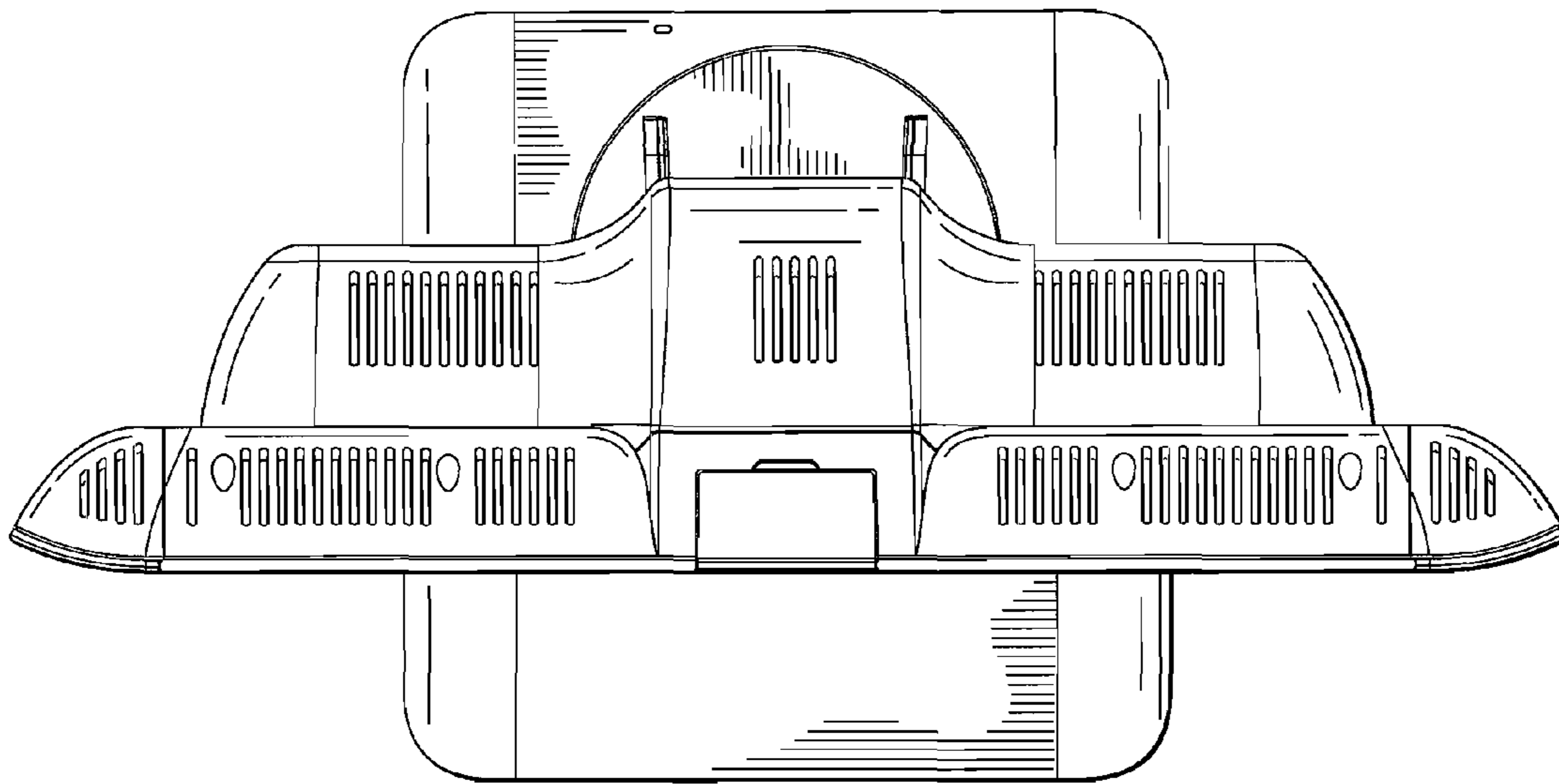


FIG. 6

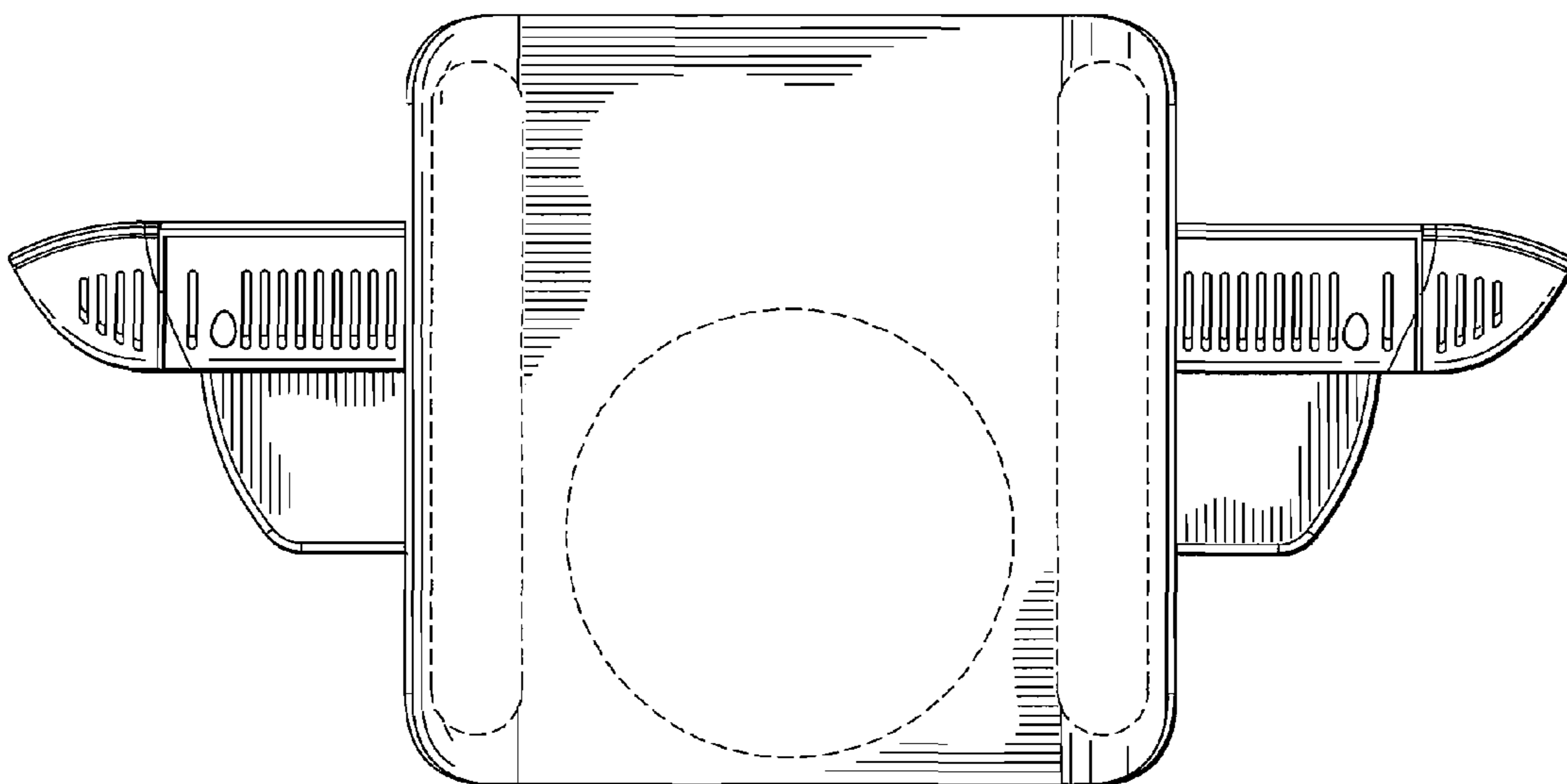


FIG. 7

UNITED STATES PATENT AND TRADEMARK OFFICE
CERTIFICATE OF CORRECTION

PATENT NO. : D626,102 S
APPLICATION NO. : 29/358007
DATED : October 26, 2010
INVENTOR(S) : Kyle A. Buzzard et al.

Page 1 of 1

It is certified that error appears in the above-identified patent and that said Letters Patent is hereby corrected as shown below:

On the Title page insert item [73]:

-- Assignee: Cisco Technology, Inc., San Jose, CA (US) --

Signed and Sealed this
Twenty-eighth Day of December, 2010

A handwritten signature in black ink that reads "David J. Kappos". The signature is written in a cursive, slightly slanted style.

David J. Kappos
Director of the United States Patent and Trademark Office