



US00D626100S

(12) **United States Design Patent**
Huang

(10) **Patent No.:** **US D626,100 S**
(45) **Date of Patent:** **** Oct. 26, 2010**

(54) **SET-TOP BOX**
(75) Inventor: **Tsung-Yuan Huang**, Taipei Hsien (TW)
(73) Assignee: **Hon Hai Precision Industry Co., Ltd.**,
Tu-Cheng, Taipei Hsien (TW)
(**) Term: **14 Years**
(21) Appl. No.: **29/362,527**
(22) Filed: **May 27, 2010**

D524,810 S * 7/2006 Noda et al. D14/349
D531,142 S * 10/2006 Yang et al. D14/125
D541,274 S * 4/2007 Wang D14/356
D568,315 S * 5/2008 Yano D14/358
D603,834 S * 11/2009 Lyman et al. D14/155
D604,288 S * 11/2009 Musgrave et al. D14/300
D611,040 S * 3/2010 Neu et al. D14/240

* cited by examiner

Primary Examiner—Raphael Barkai
Assistant Examiner—Randall Gholson
(74) *Attorney, Agent, or Firm*—Raymond J. Chew

(51) **LOC (9) Cl.** **14-01**
(52) **U.S. Cl.** **D14/125**
(58) **Field of Classification Search** D14/125–134,
D14/168, 188, 197, 198, 239, 371, 136, 374–377,
D14/496–510; 312/7.2; 348/836, 838, 180,
348/184, 325, 739; 341/12; 248/917–924,
248/465, 123.11; 345/104, 133, 156, 168,
345/87, 173, 169; 349/1, 2, 11, 62; 720/605,
720/612, 619, 647, 655, 600, 99, 197; 455/347–351;
360/99.07; 369/75.11, 75.21
See application file for complete search history.

(57) **CLAIM**

The ornamental design for a set-top box, as shown and described.

DESCRIPTION

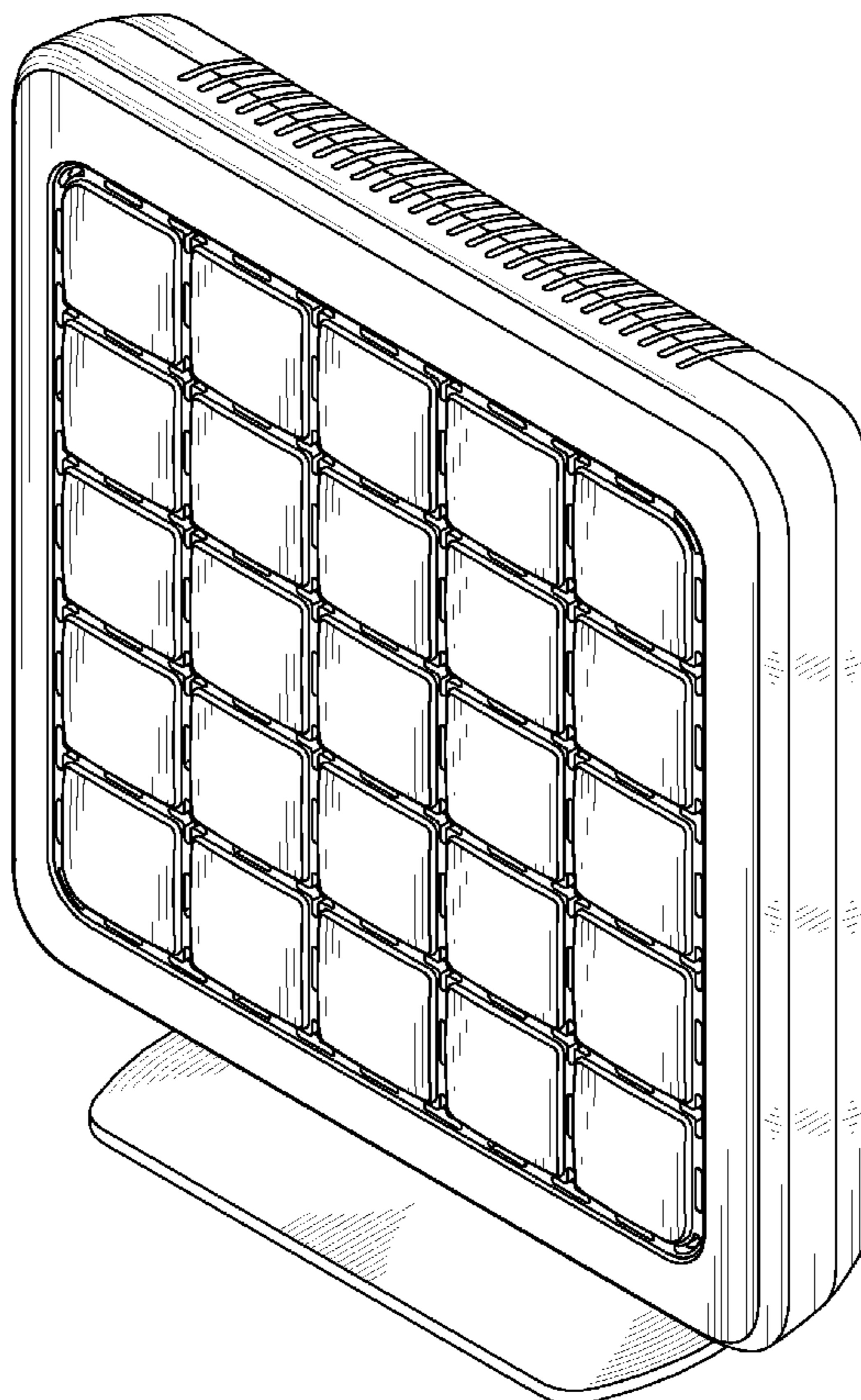
FIG. 1 is a perspective view of a set-top box showing my new design;
FIG. 2 is a front elevational view thereof;
FIG. 3 is a rear elevational view thereof;
FIG. 4 is a left side elevational view thereof;
FIG. 5 is a right side elevational view thereof;
FIG. 6 is a top plan view thereof; and,
FIG. 7 is a bottom plan view thereof.

(56) **References Cited**

U.S. PATENT DOCUMENTS

D289,872 S * 5/1987 Nuttall et al. D14/351
D389,088 S * 1/1998 Murphy D14/351
D432,125 S * 10/2000 Masuda et al. D14/349
D471,882 S * 3/2003 Lan D14/125

1 Claim, 7 Drawing Sheets



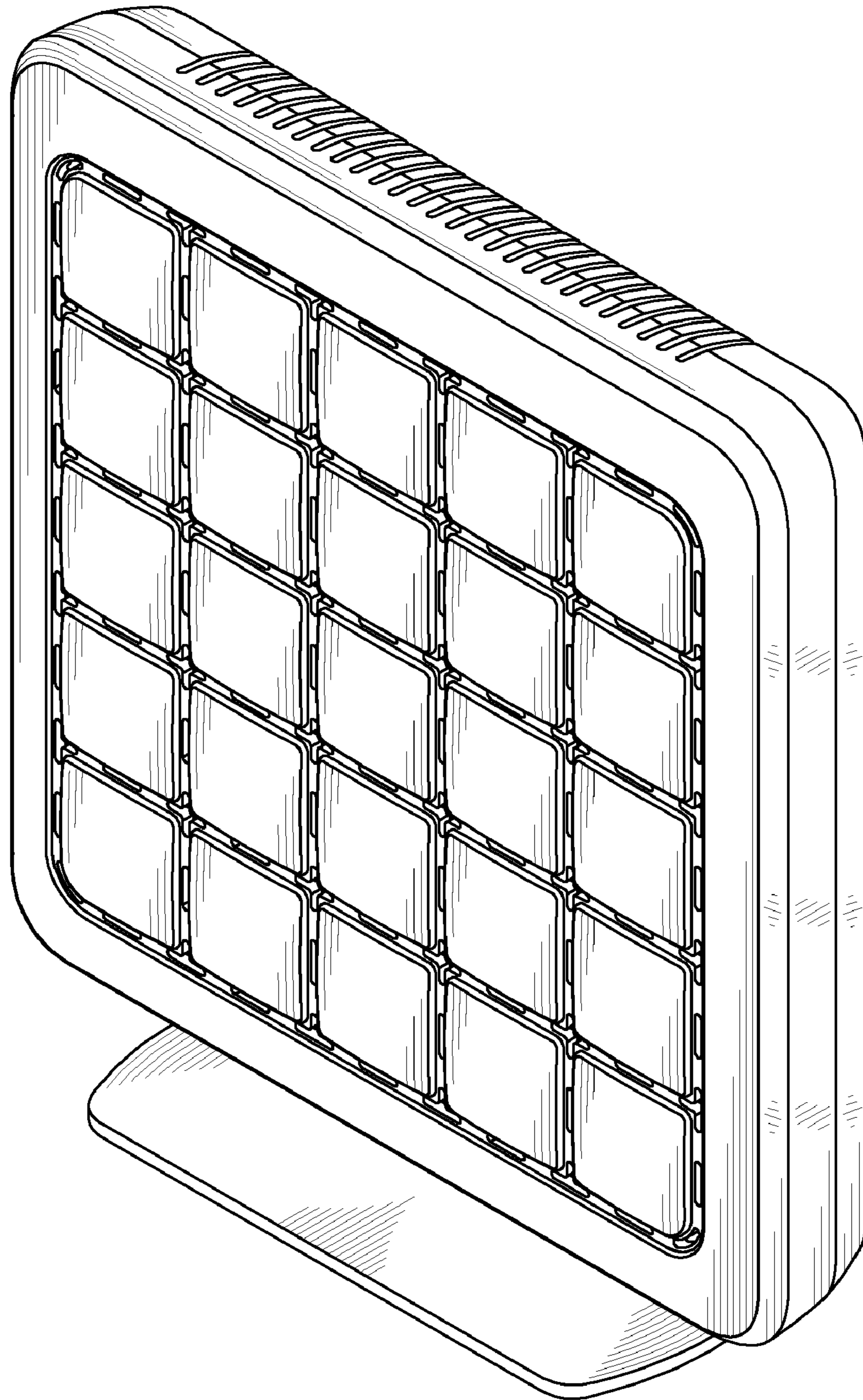


FIG. 1

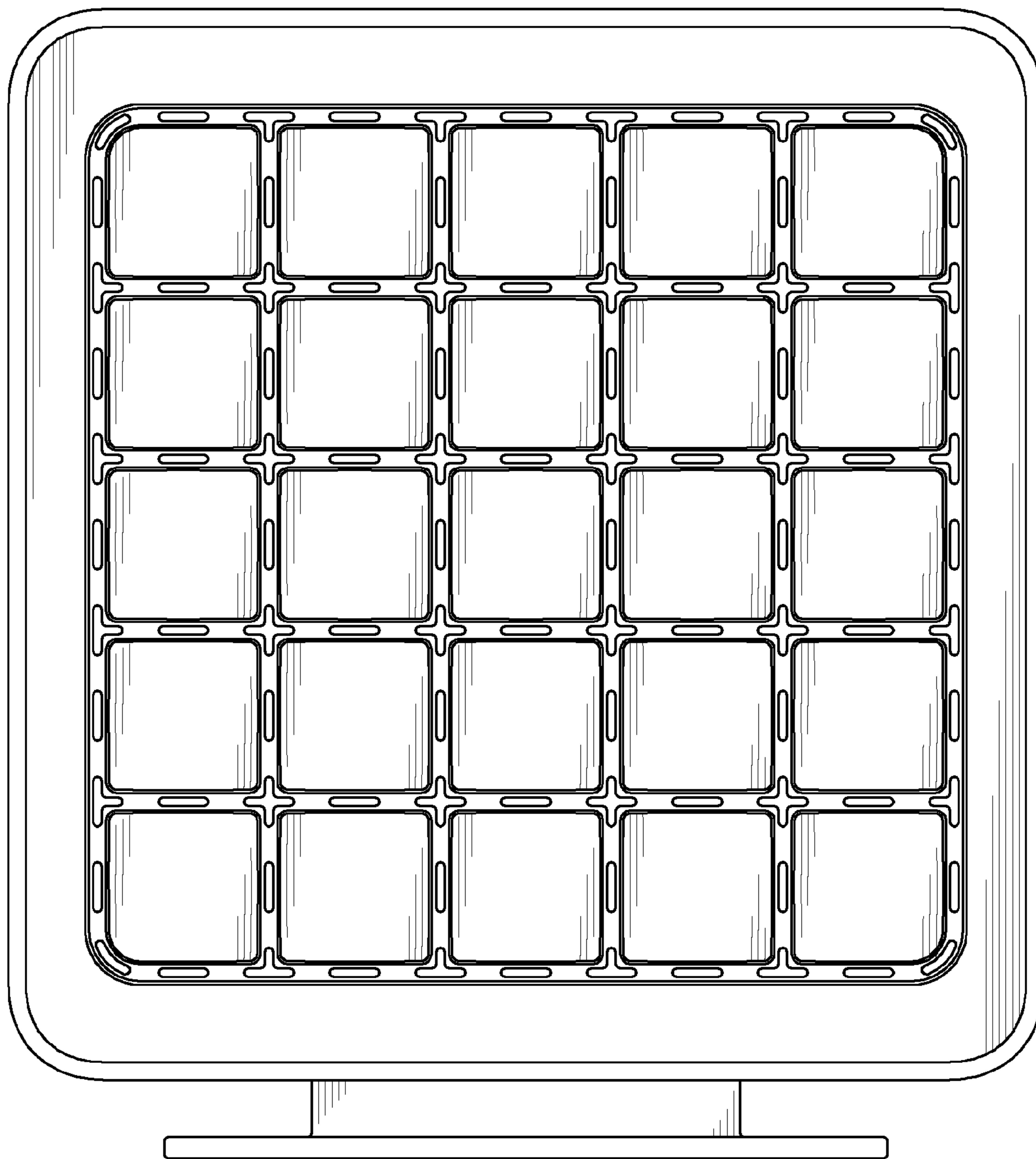


FIG. 2

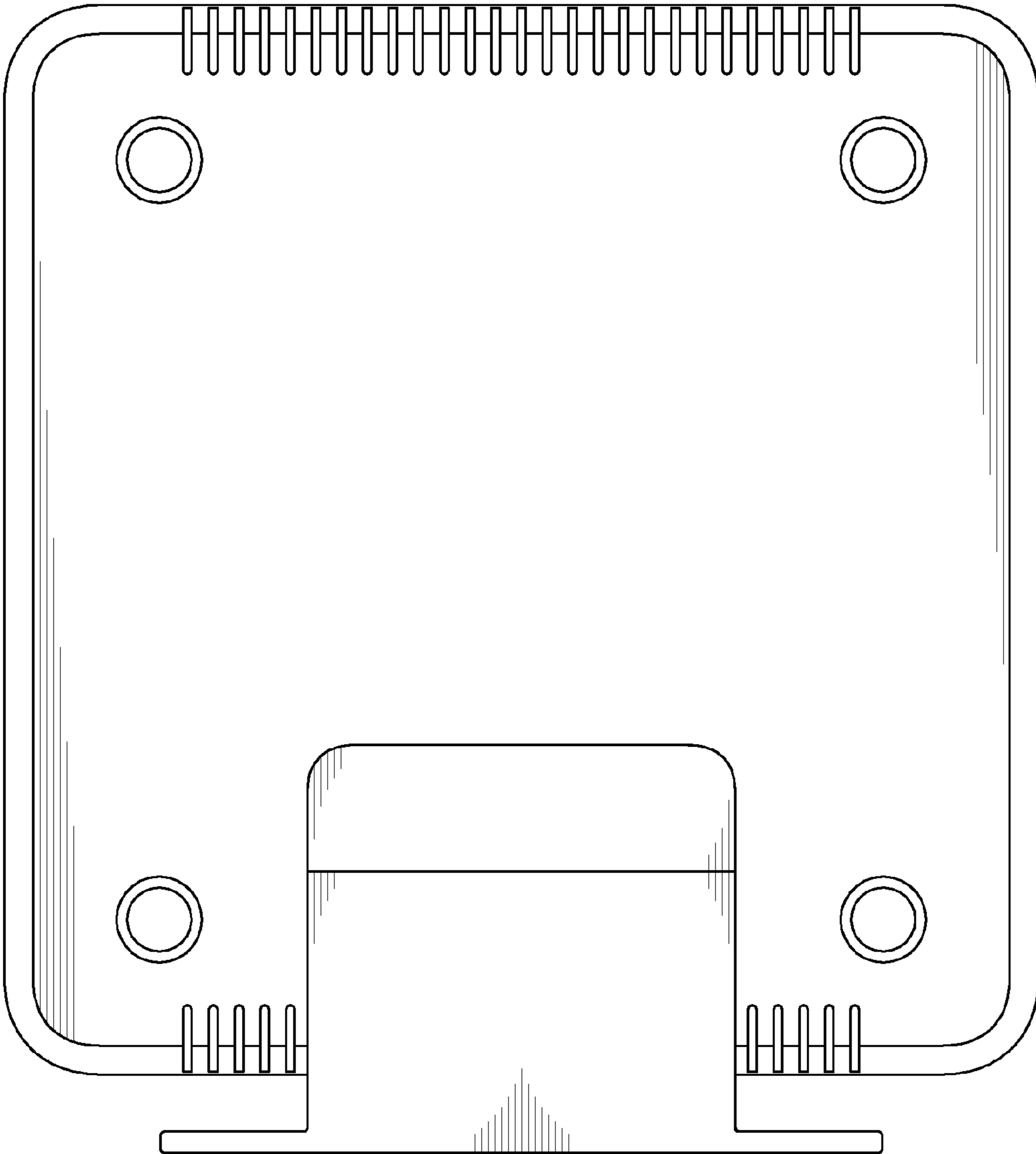


FIG. 3

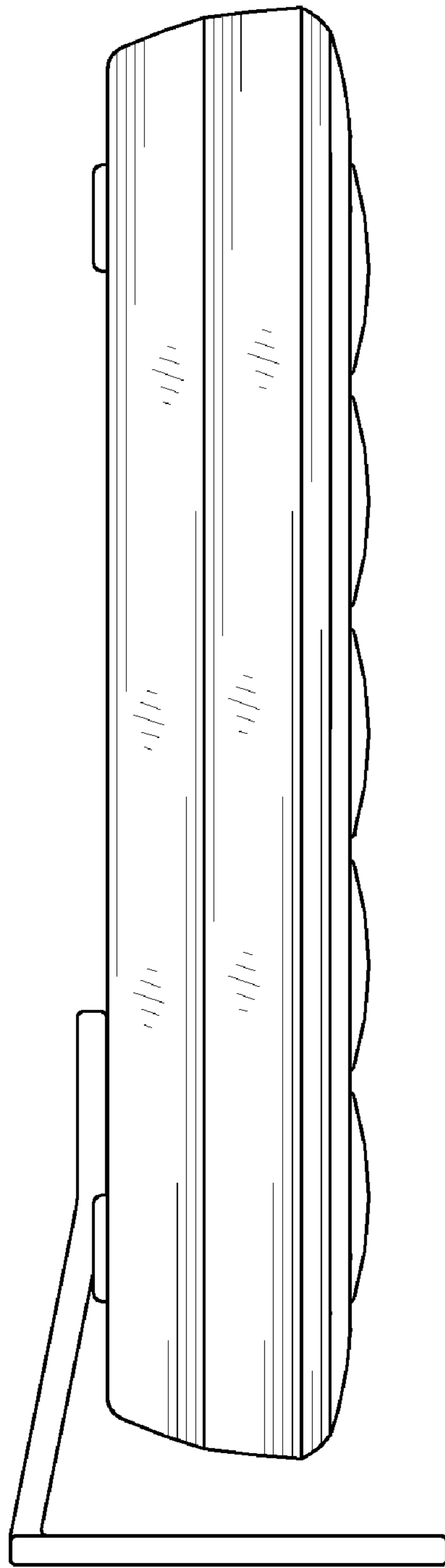


FIG. 4

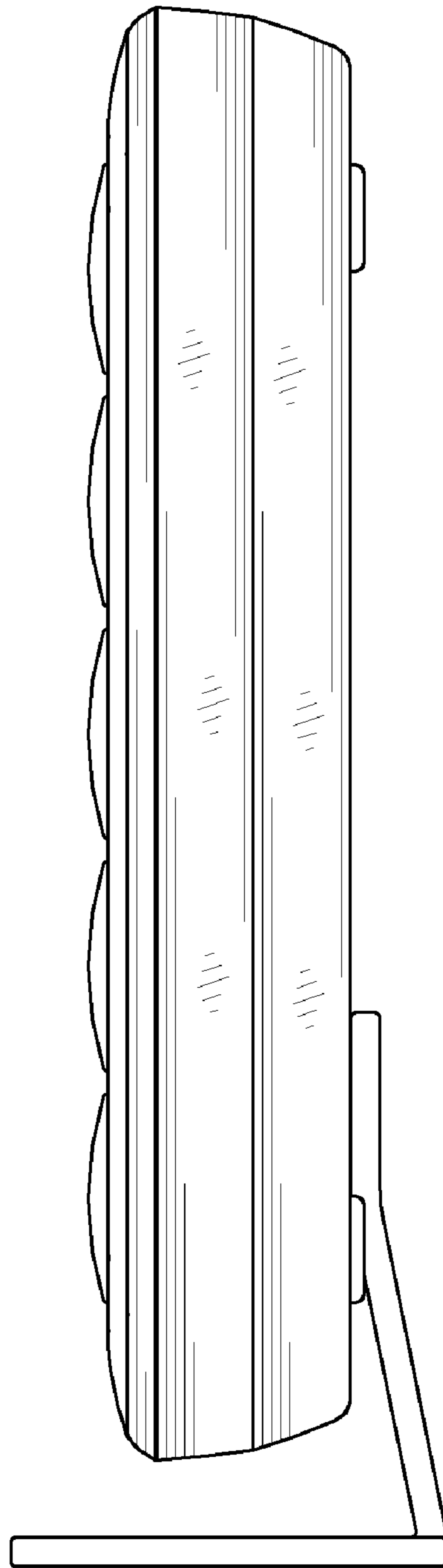


FIG. 5

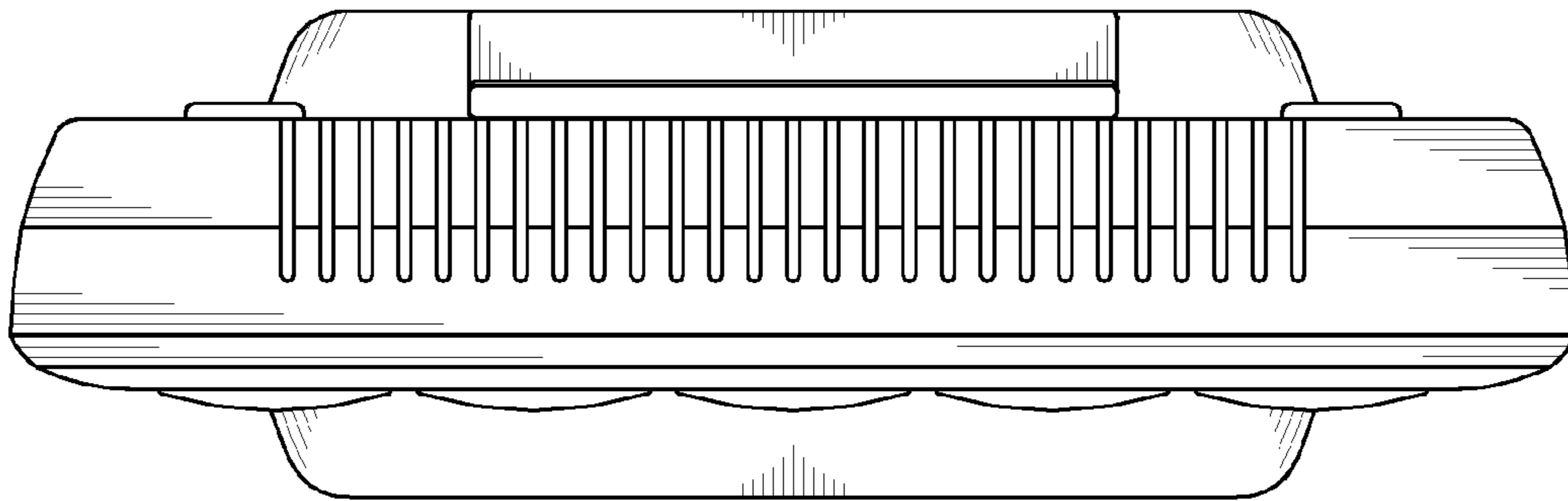


FIG. 6

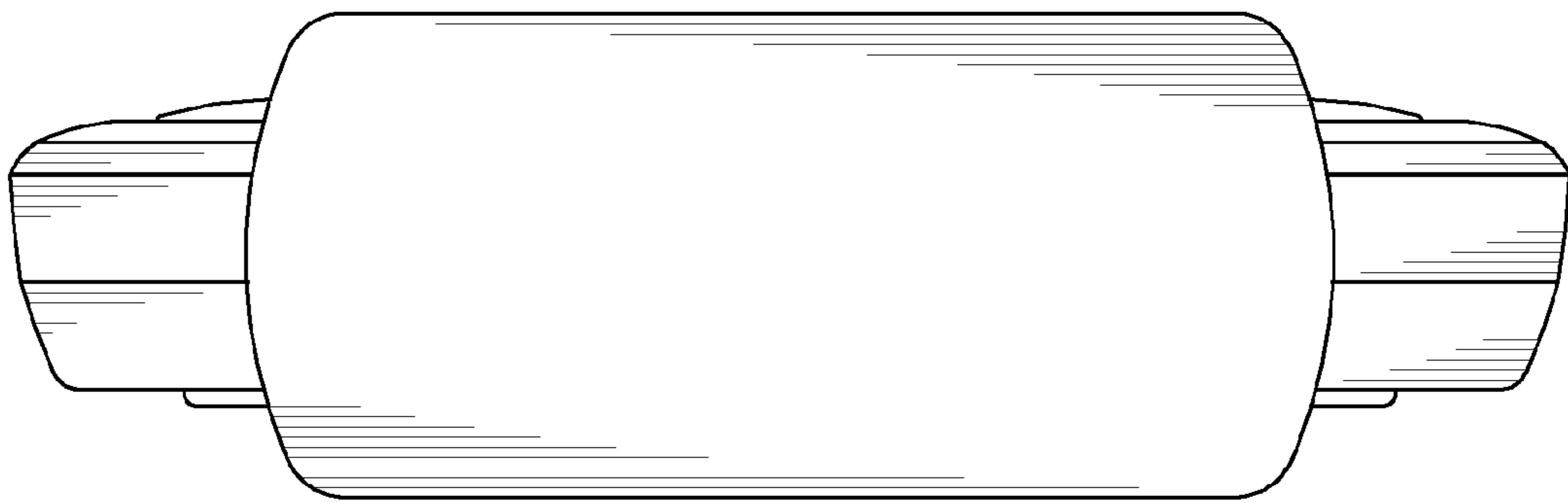


FIG. 7