



US00D626097S

(12) **United States Design Patent**
Takeuchi et al.

(10) **Patent No.:** **US D626,097 S**

(45) **Date of Patent:** **** *Oct. 26, 2010**

(54) **LIGHT-EMITTING DIODE**

(75) Inventors: **Teruo Takeuchi**, Kitakyushu (JP);
Tatsuo Tonedachi, Kitakyushu (JP);
Kazuhisa Iwashita, Kitakyushu (JP);
Satoshi Shimizu, Kitakyushu (JP)

(73) Assignee: **Kabushiki Kaisha Toshiba**, Tokyo (JP)

(**) Term: **14 Years**

(21) Appl. No.: **29/355,533**

(22) Filed: **Feb. 9, 2010**

(30) **Foreign Application Priority Data**

Oct. 16, 2009 (JP) 2009-024368

(51) **LOC (9) Cl.** **13-03**

(52) **U.S. Cl.** **D13/180**

(58) **Field of Classification Search** D13/180;
D26/2; 257/79, 80, 81, 88, 89, 95, 98, 99,
257/100, E33.058, 676, 678; 313/483, 498,
313/500; 362/555, 800

See application file for complete search history.

(56) **References Cited**

U.S. PATENT DOCUMENTS

6,677,667 B1 * 1/2004 Hong et al. 257/684
6,713,317 B2 * 3/2004 Knapp et al. 438/106
6,734,536 B2 * 5/2004 Kobayakawa 257/676
7,298,034 B2 * 11/2007 Carney et al. 257/686
D576,571 S 9/2008 Itai

2002/0121684 A1 * 9/2002 Kobayakawa 257/676
2003/0122225 A1 * 7/2003 Fukui et al. 257/676
2009/0057855 A1 * 3/2009 Quinones et al. 257/676

FOREIGN PATENT DOCUMENTS

JP 1066550 4/2000
JP 1322677 2/2008
JP 1325977 3/2008
JP 1350595 2/2009
KR 30-0419506 7/2006
KR 30-0503678 8/2008

* cited by examiner

Primary Examiner—Selina Sikder

(74) *Attorney, Agent, or Firm*—Banner & Witcoff, Ltd.

(57) **CLAIM**

The ornamental design for a light-emitting diode, as shown and described.

DESCRIPTION

FIG. 1 is a front perspective view of a light-emitting diode, showing our new design;

FIG. 2 is a rear perspective view thereof;

FIG. 3 is a front elevational view thereof;

FIG. 4 is a rear elevational view thereof;

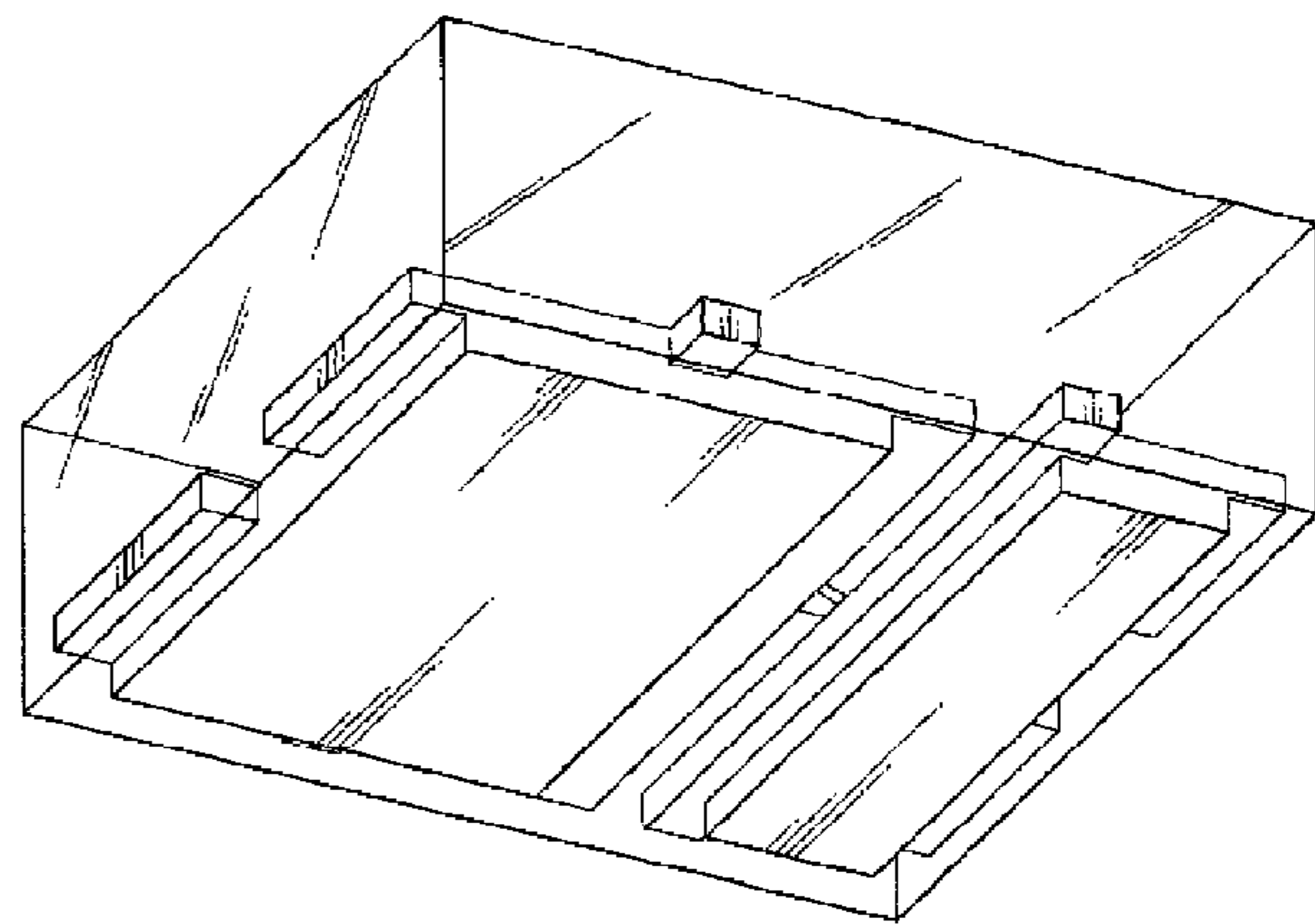
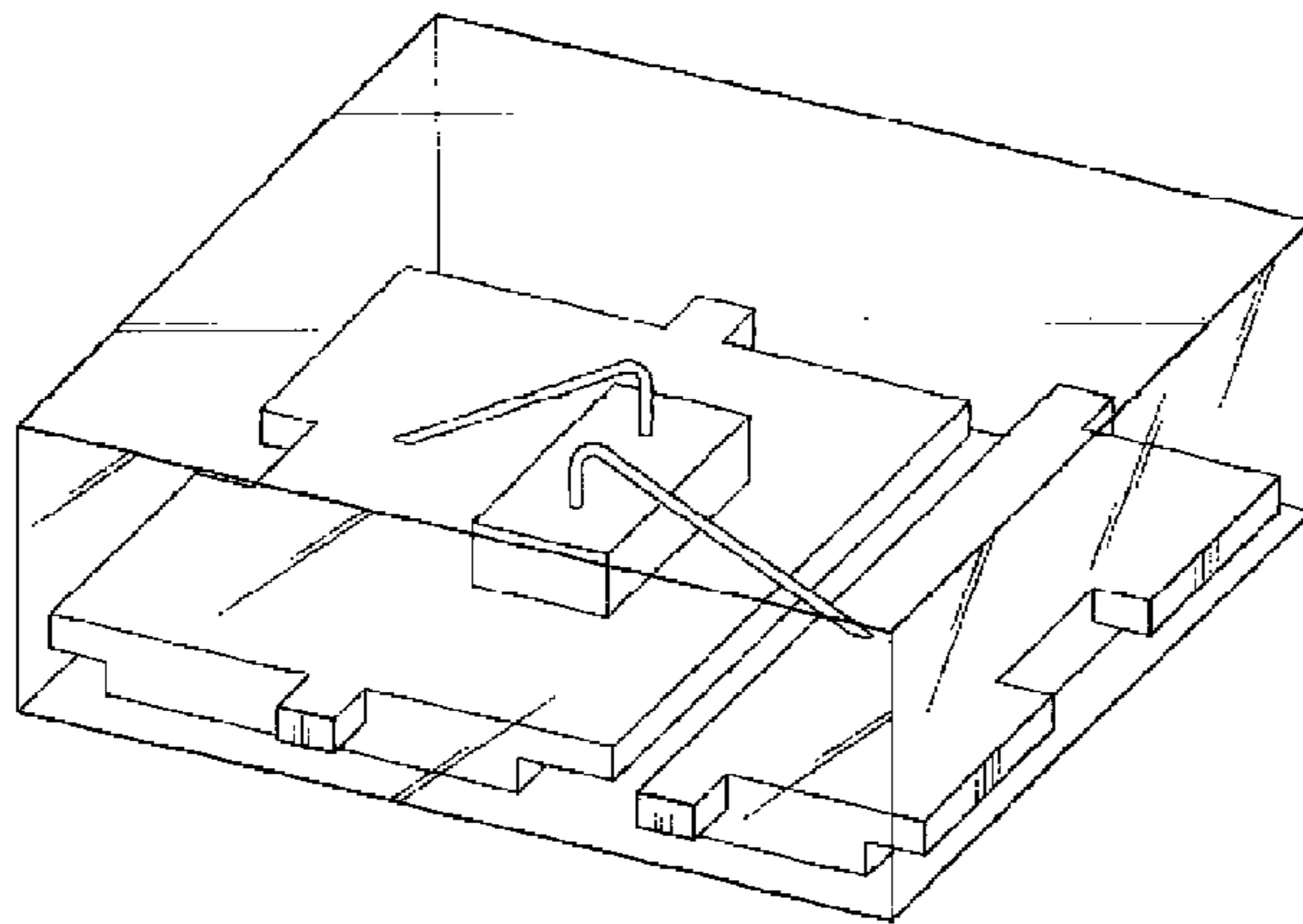
FIG. 5 is a top plan view thereof;

FIG. 6 is a bottom plan view thereof;

FIG. 7 is a right side elevational view thereof; and,

FIG. 8 is a left side elevational view thereof.

1 Claim, 4 Drawing Sheets



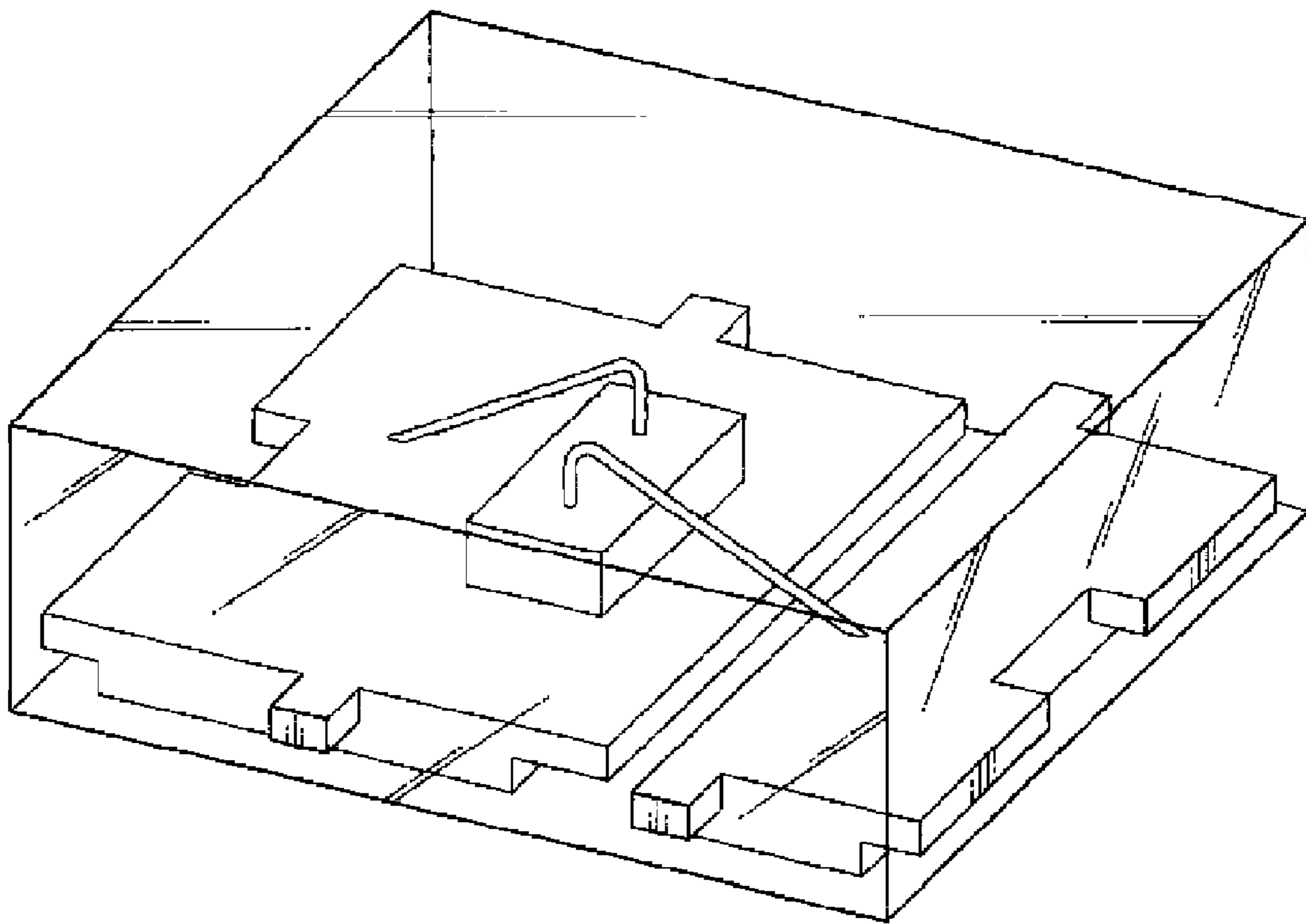


FIG. 1

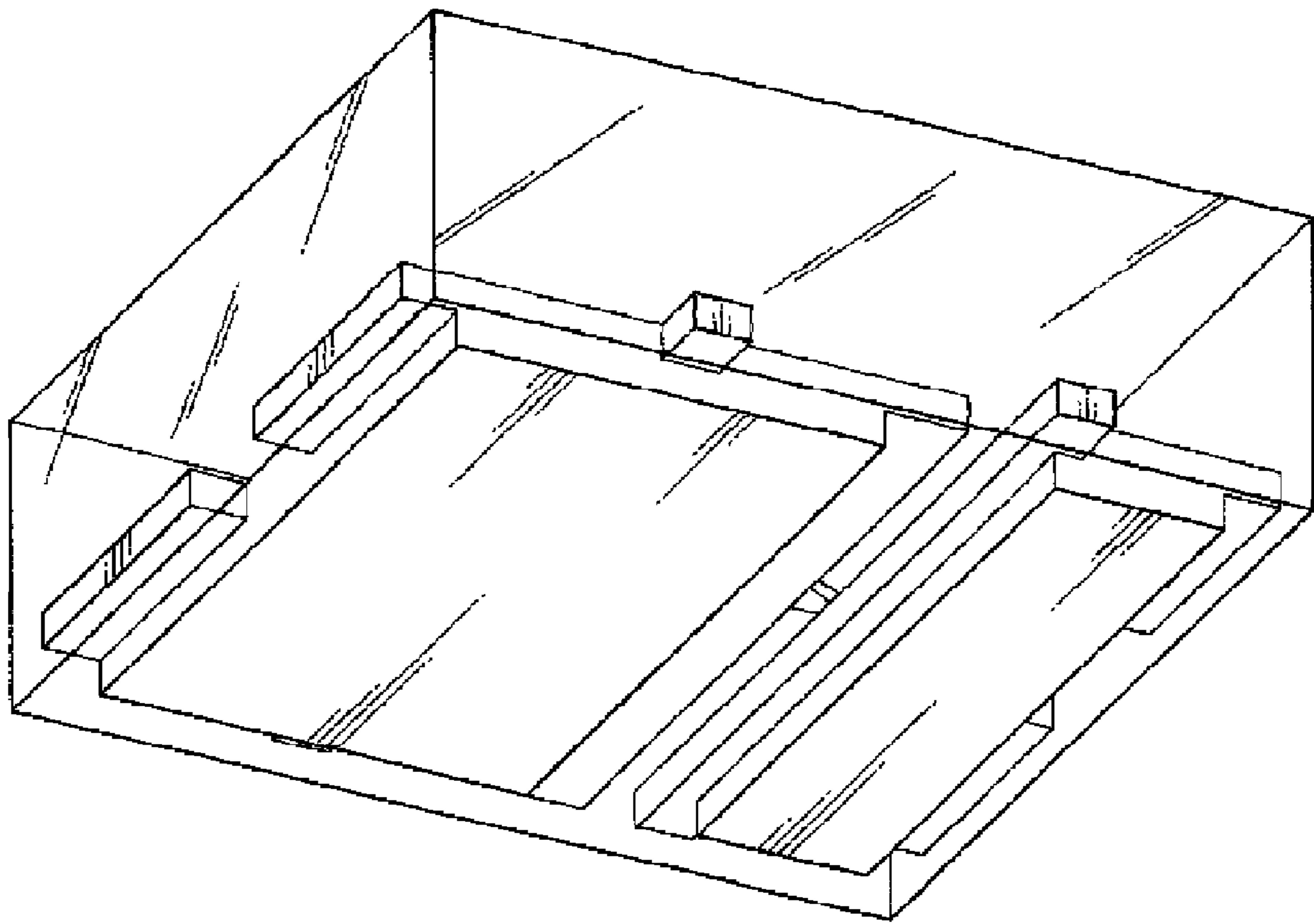


FIG.2

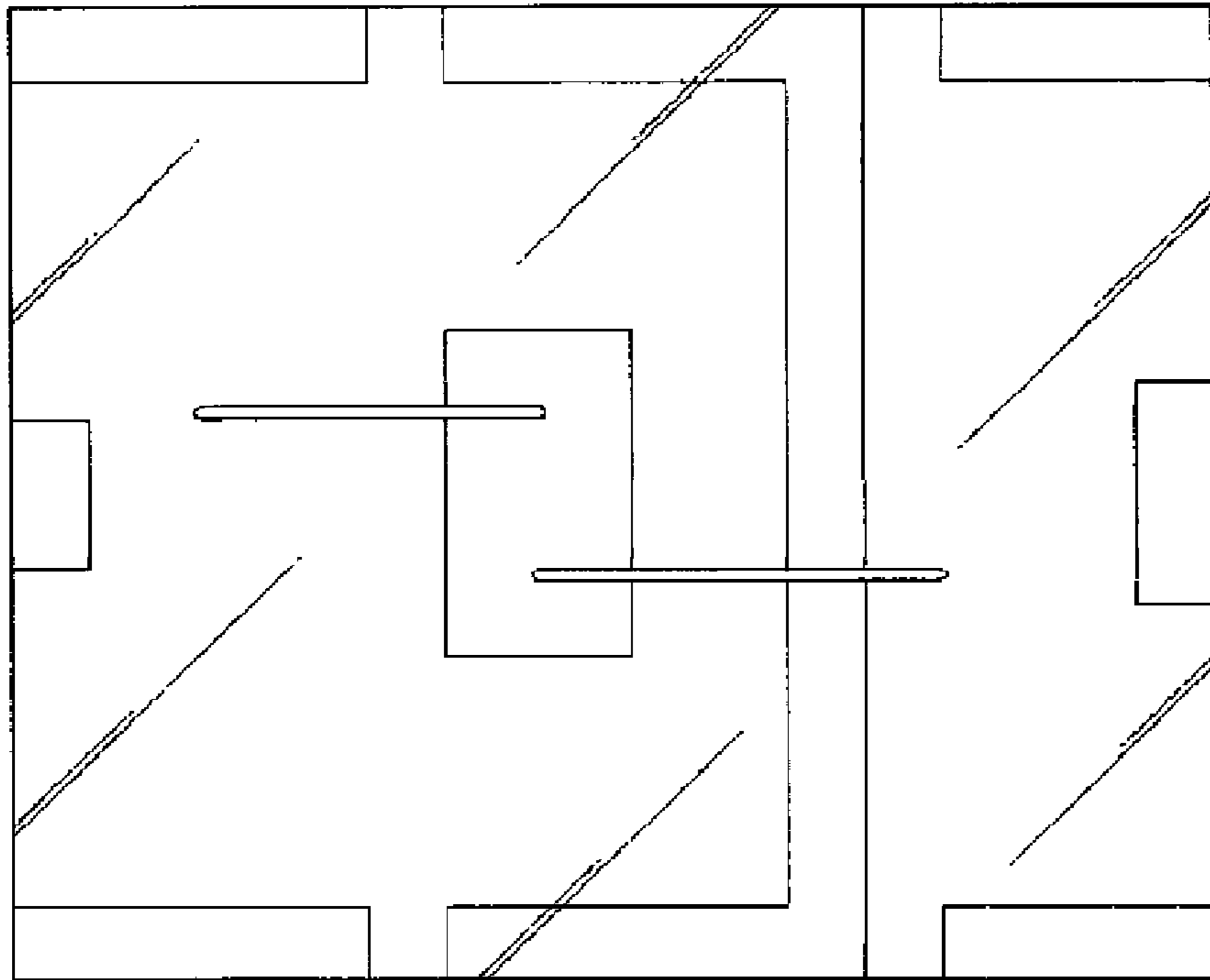


FIG.3

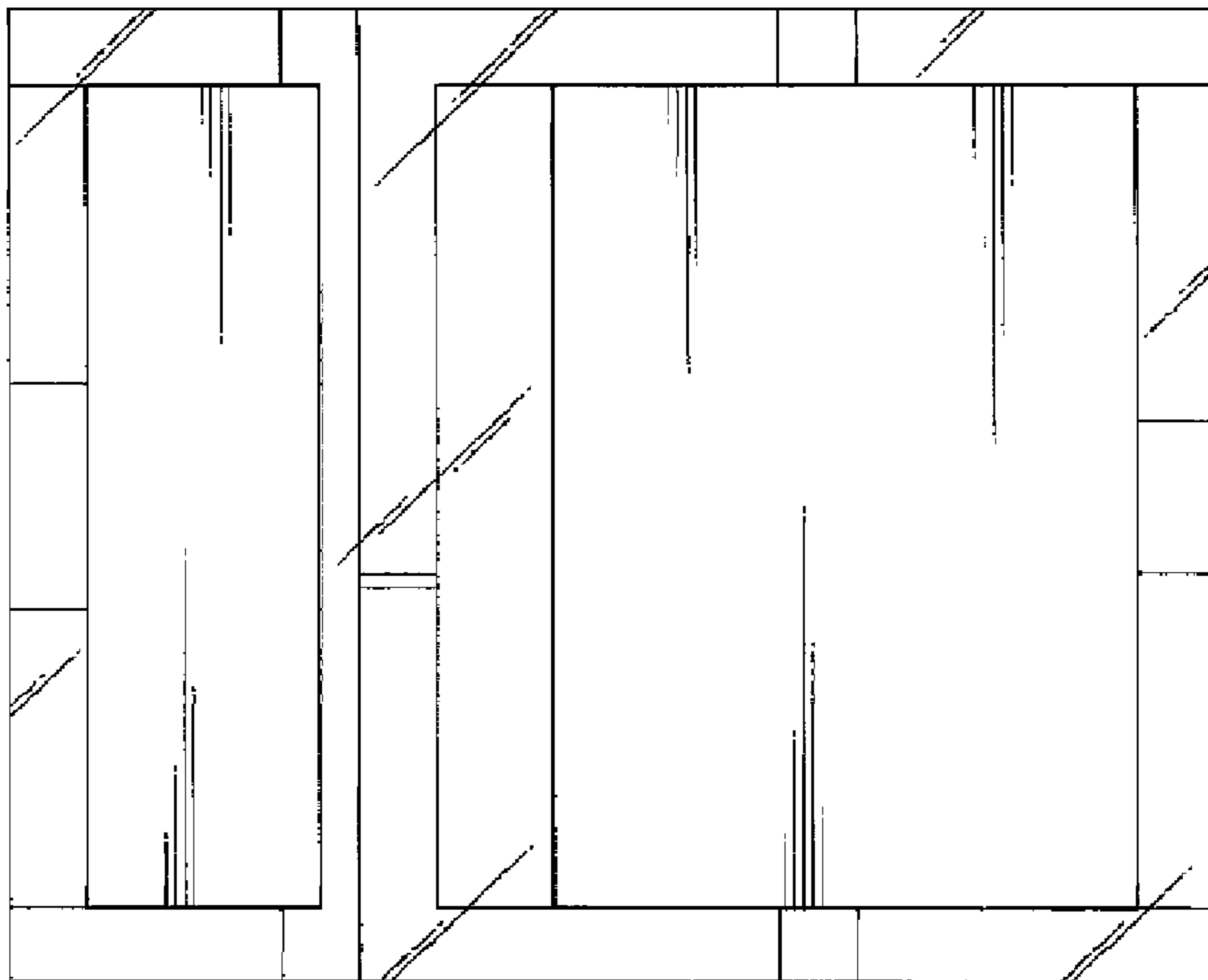


FIG.4

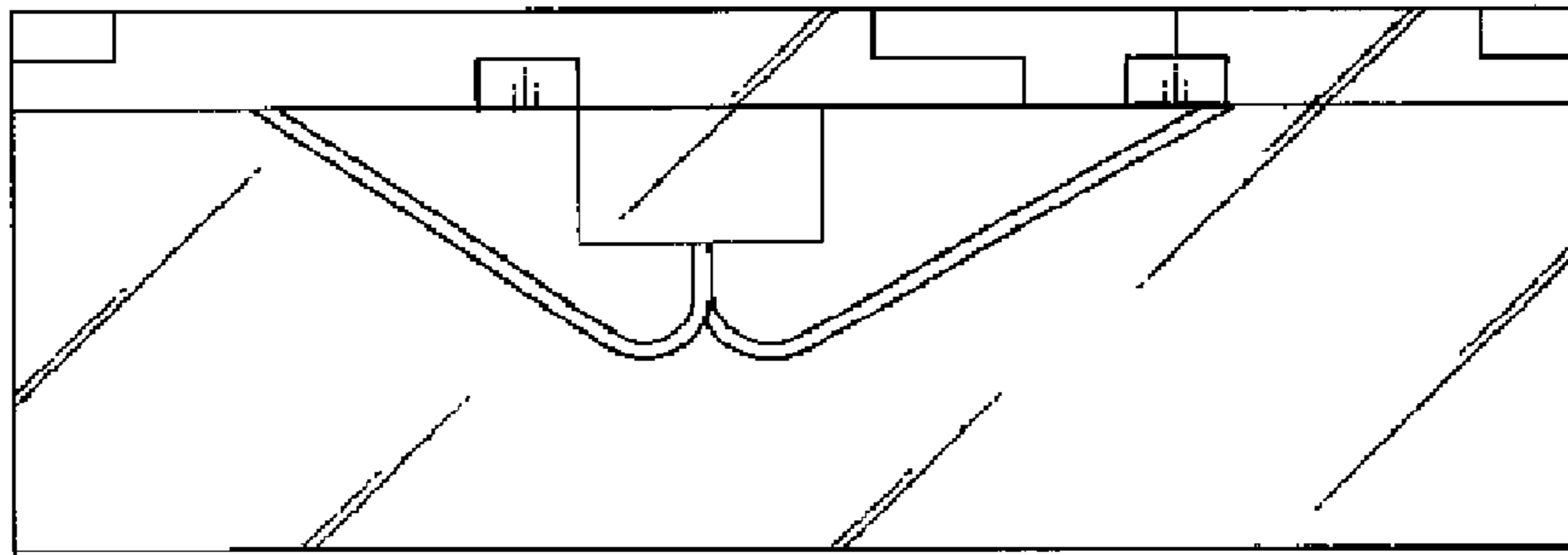


FIG. 5

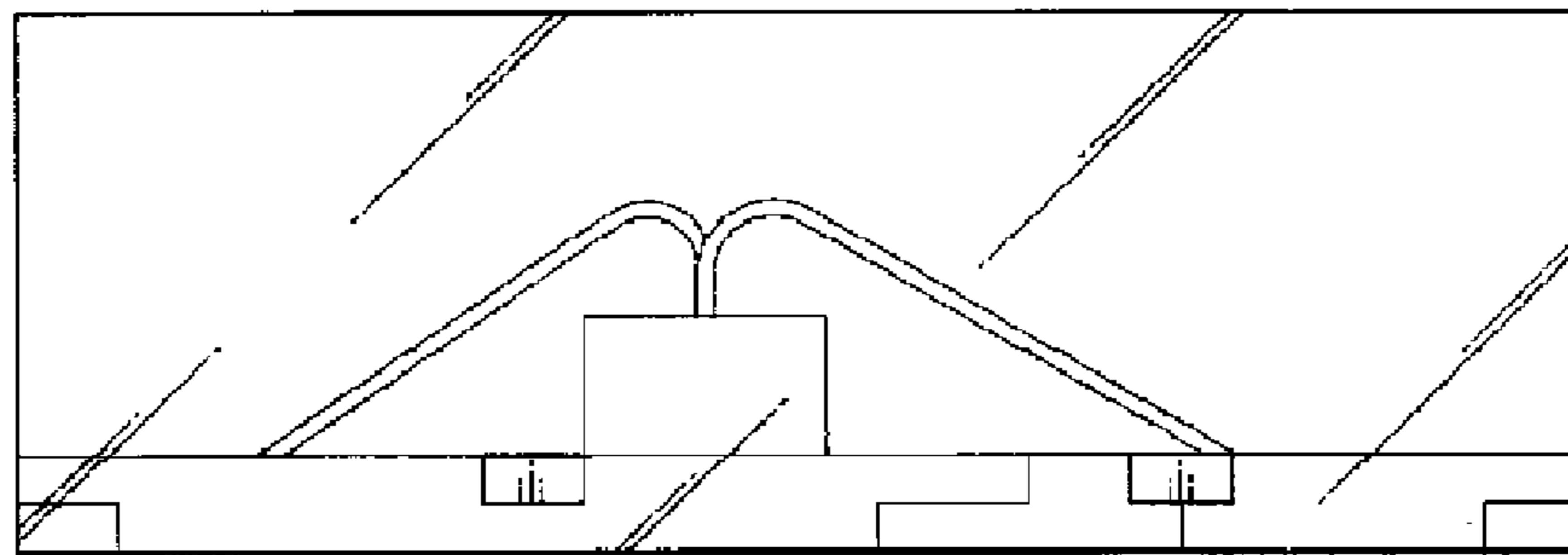


FIG. 6

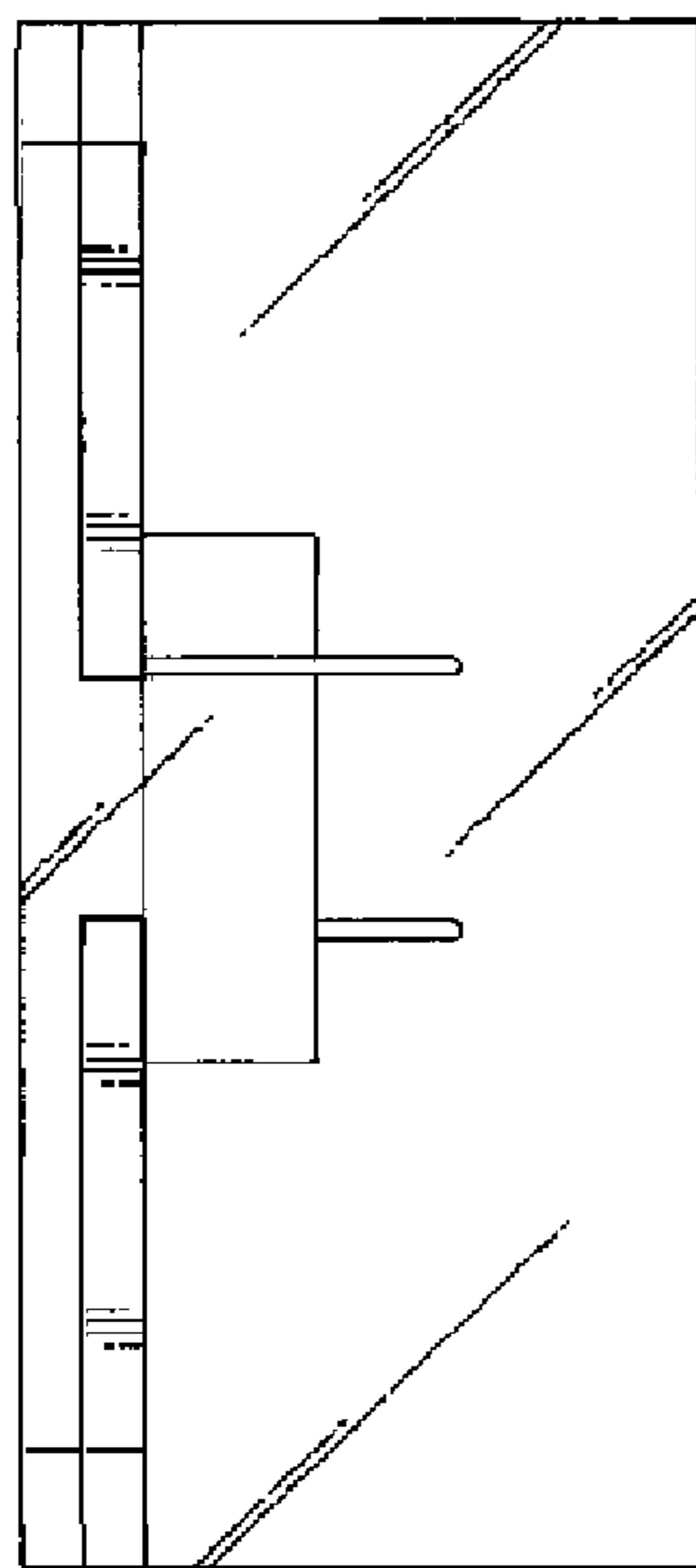


FIG. 8

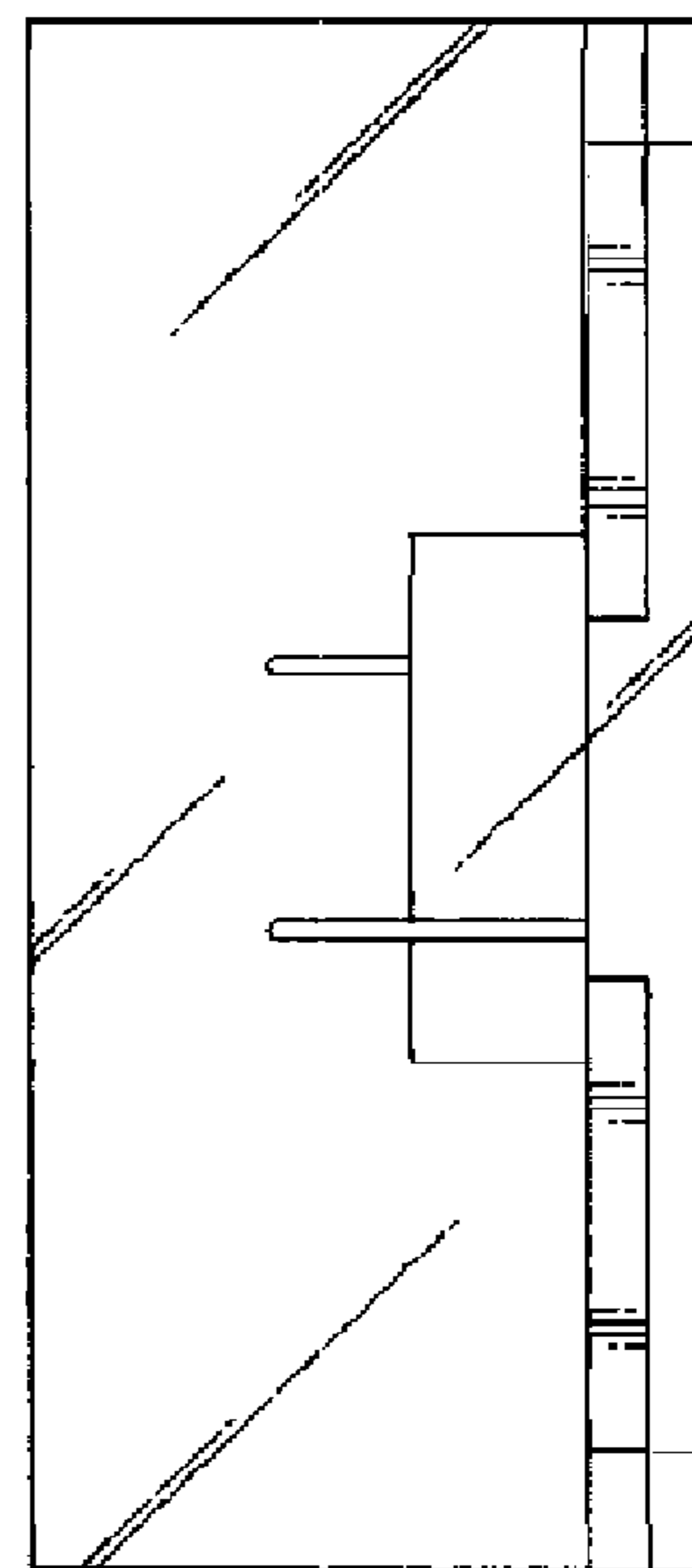


FIG. 7