



US00D626095S

(12) **United States Design Patent**  
**Hsieh**

(10) **Patent No.:** **US D626,095 S**  
(45) **Date of Patent:** **\*\* Oct. 26, 2010**

(54) **LIGHT EMITTING DIODE**

(75) Inventor: **Chung-Chuan Hsieh**, Tucheng (TW)

(73) Assignee: **Everlight Electronics Co., Ltd.**,  
Tucheng, Taipei County (TW)

(\*\*) Term: **14 Years**

(21) Appl. No.: **29/351,794**

(22) Filed: **Dec. 11, 2009**

(51) **LOC (9) Cl.** ..... **13-03**

(52) **U.S. Cl.** ..... **D13/180**

(58) **Field of Classification Search** ..... D13/180;  
D26/2; 257/79, 80, 81, 88, 89, 95, 98, 99,  
257/100, E33.058; 313/483, 498, 500; 362/555,  
362/800

See application file for complete search history.

(56) **References Cited**

**U.S. PATENT DOCUMENTS**

D595,244 S *	6/2009	In et al.	.....	D13/180
D595,245 S *	6/2009	Kim et al.	.....	D13/180
D596,591 S *	7/2009	In et al.	.....	D13/180
D608,309 S *	1/2010	Kim	.....	D13/180
D611,012 S *	3/2010	Hsieh	.....	D13/180
2009/0224271 A1 *	9/2009	Seo et al.	.....	257/98

**FOREIGN PATENT DOCUMENTS**

KR 30-0439699 2/2007

\* cited by examiner

*Primary Examiner*—Selina Sikder

(74) *Attorney, Agent, or Firm*—Thomas, Kayden,  
Horstemeyer & Risley, LLP

(57) **CLAIM**

The ornamental design for a light emitting diode, as shown and described.

**DESCRIPTION**

FIG. 1 is a front perspective view of a light emitting diode showing the claimed design;

FIG. 2 is a rear perspective view thereof;

FIG. 3 is a front elevational view thereof;

FIG. 4 is a rear elevational view thereof;

FIG. 5 is a left side elevational view thereof;

FIG. 6 is a right side elevational view thereof;

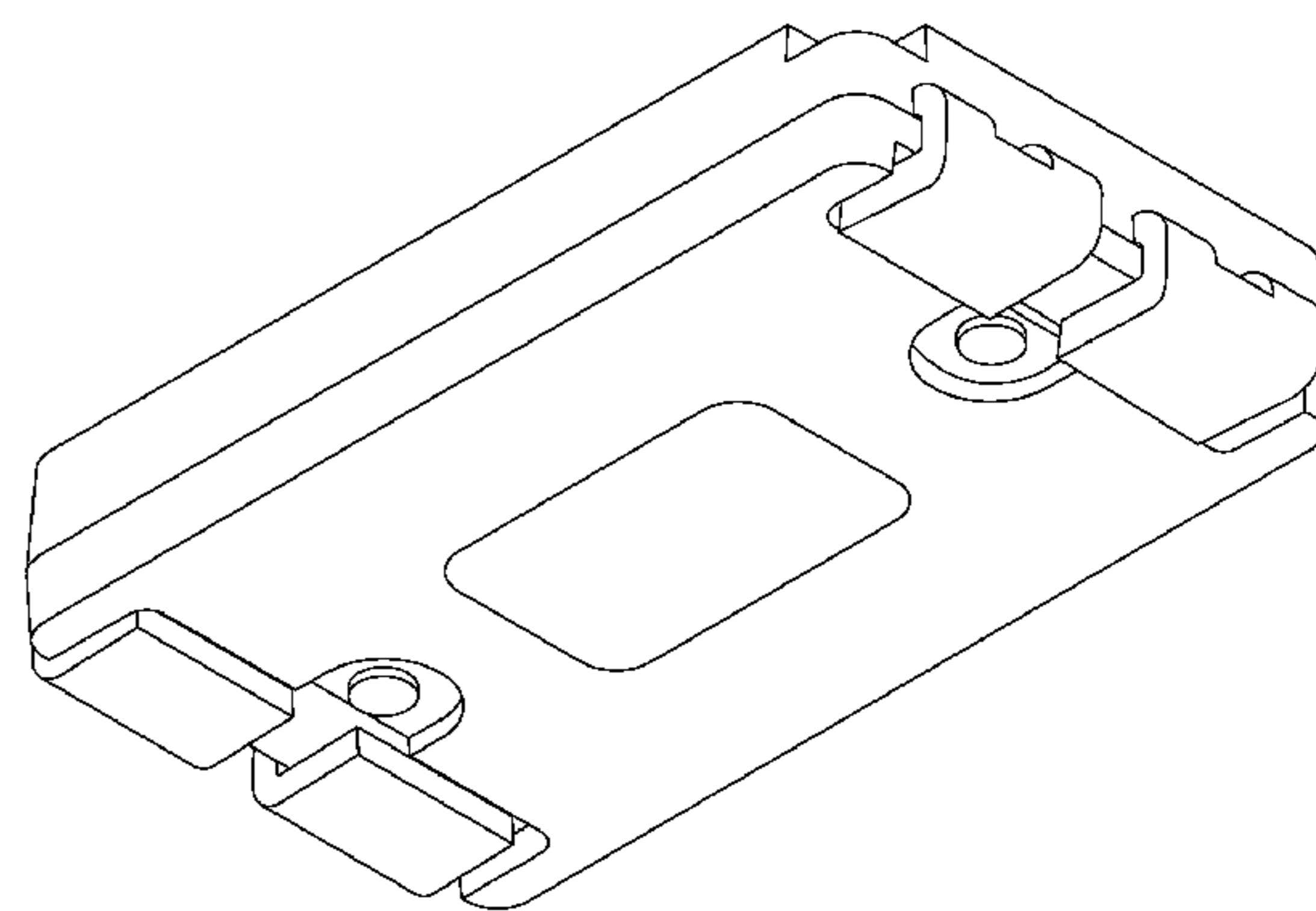
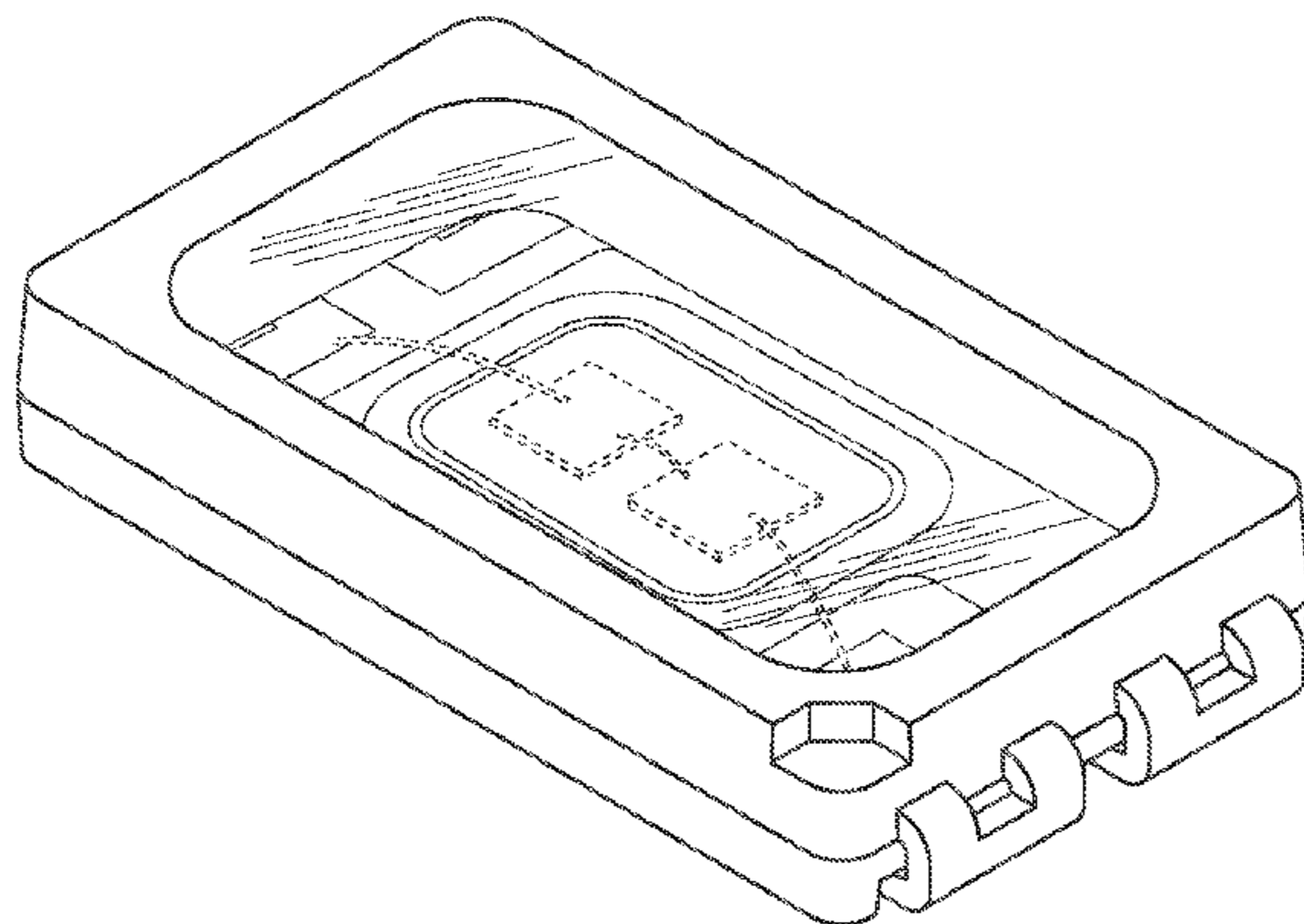
FIG. 7 is a bottom plan view thereof;

FIG. 8 is a top plan thereof; and,

FIG. 9 is a sectional view taken along line 9—9 in FIG. 8.

The broken lines are directed to environment and are for illustrative purpose only; the broken lines form no part of the claimed design.

**1 Claim, 6 Drawing Sheets**



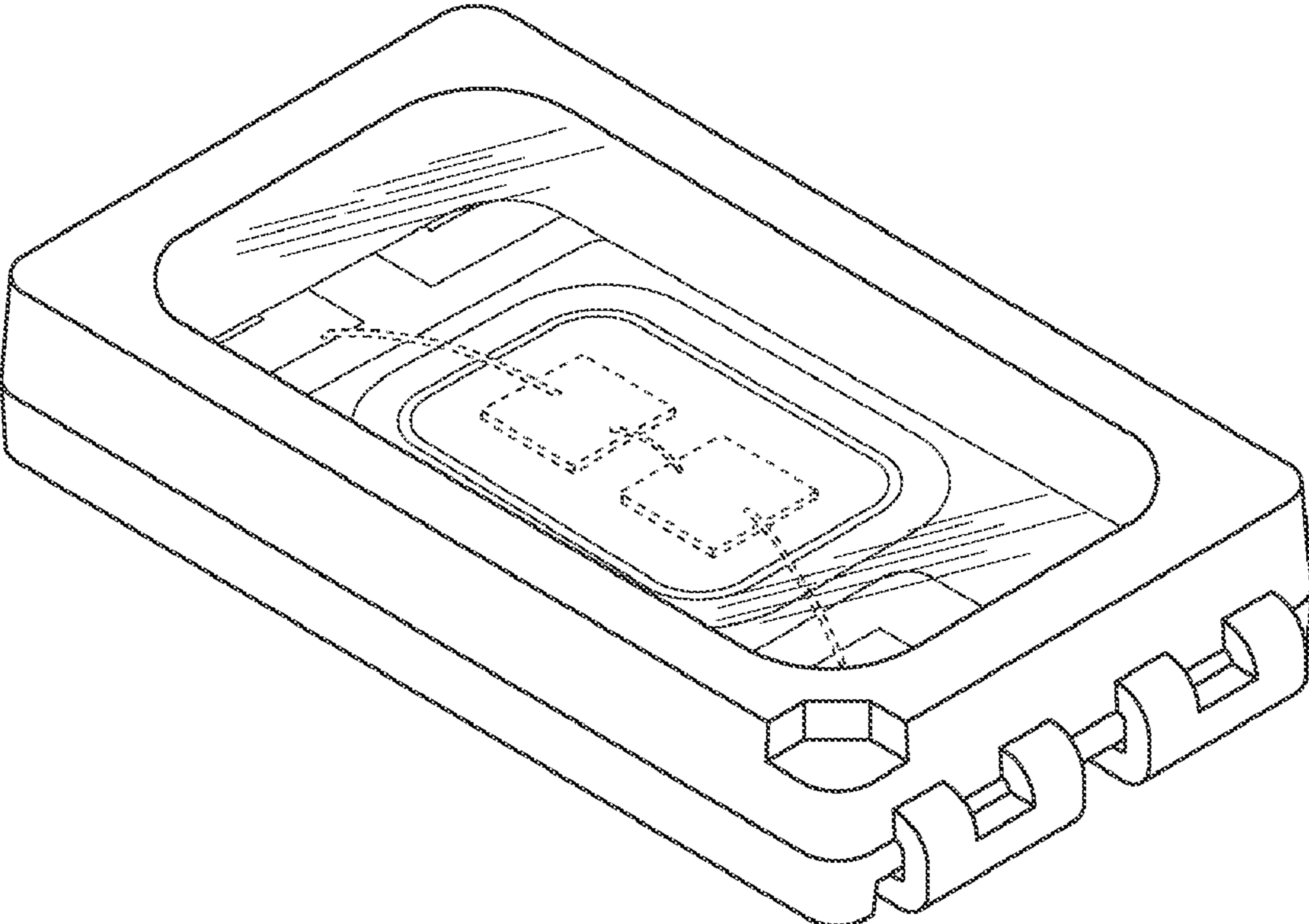


FIG.1

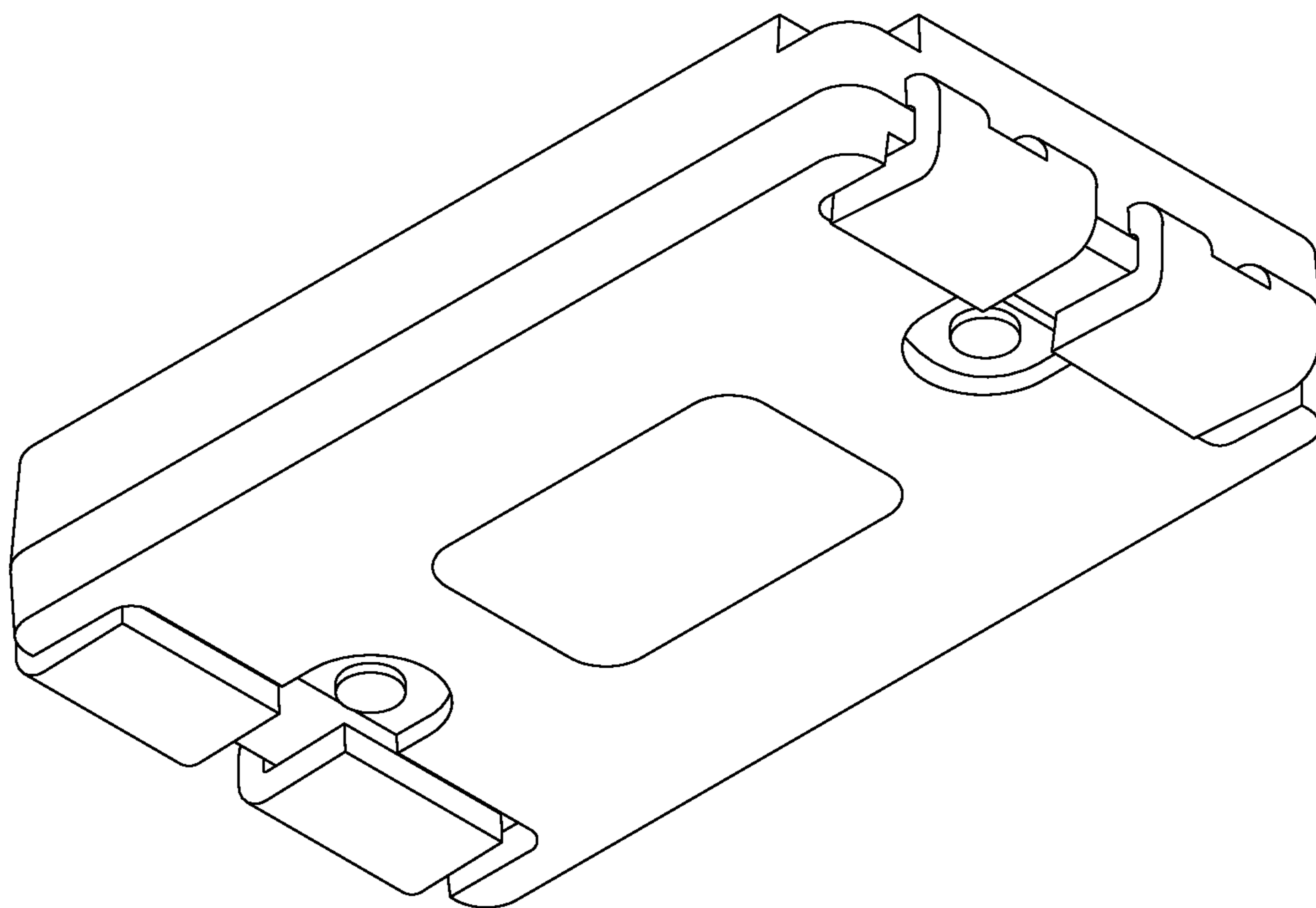


FIG.2

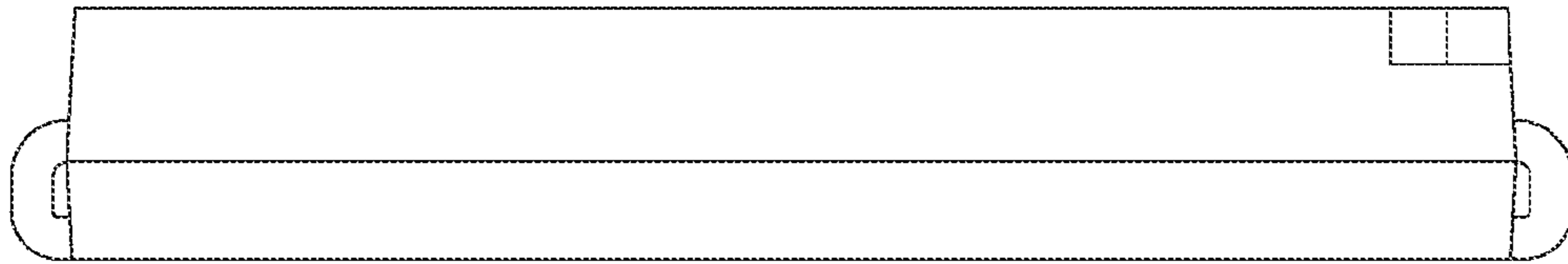


FIG.3



FIG.4

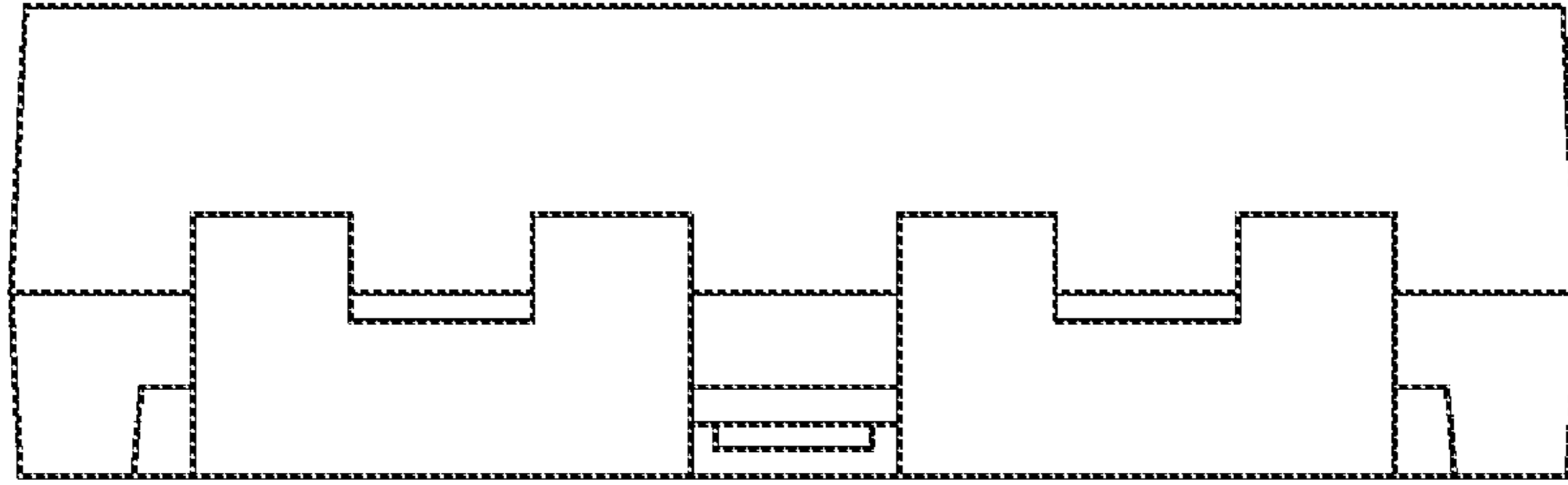


FIG. 5

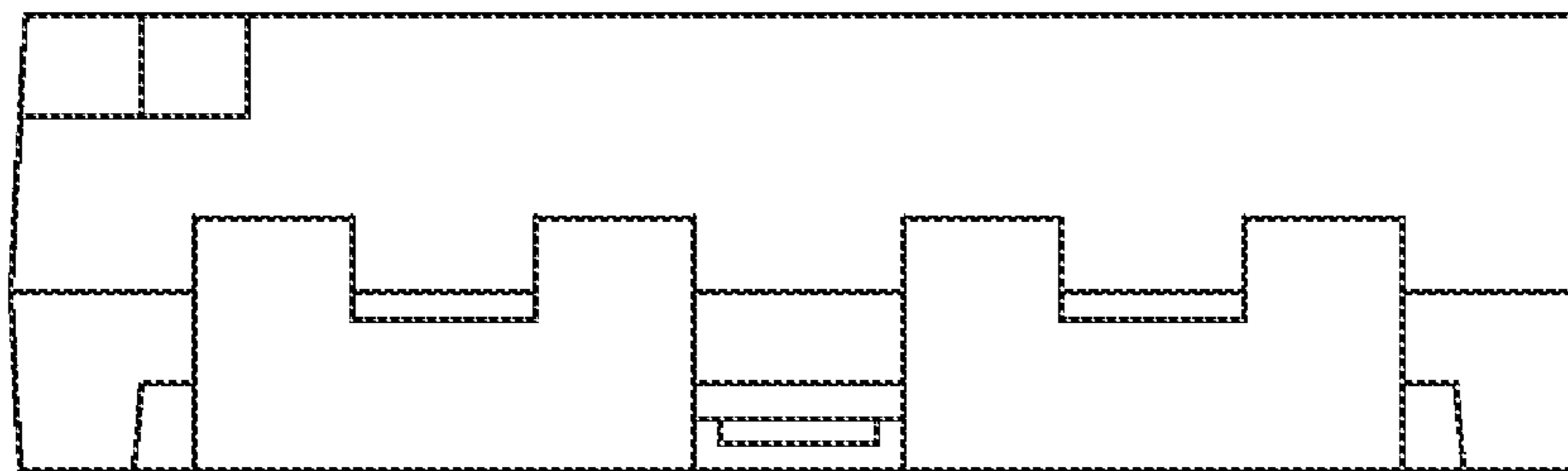


FIG. 6

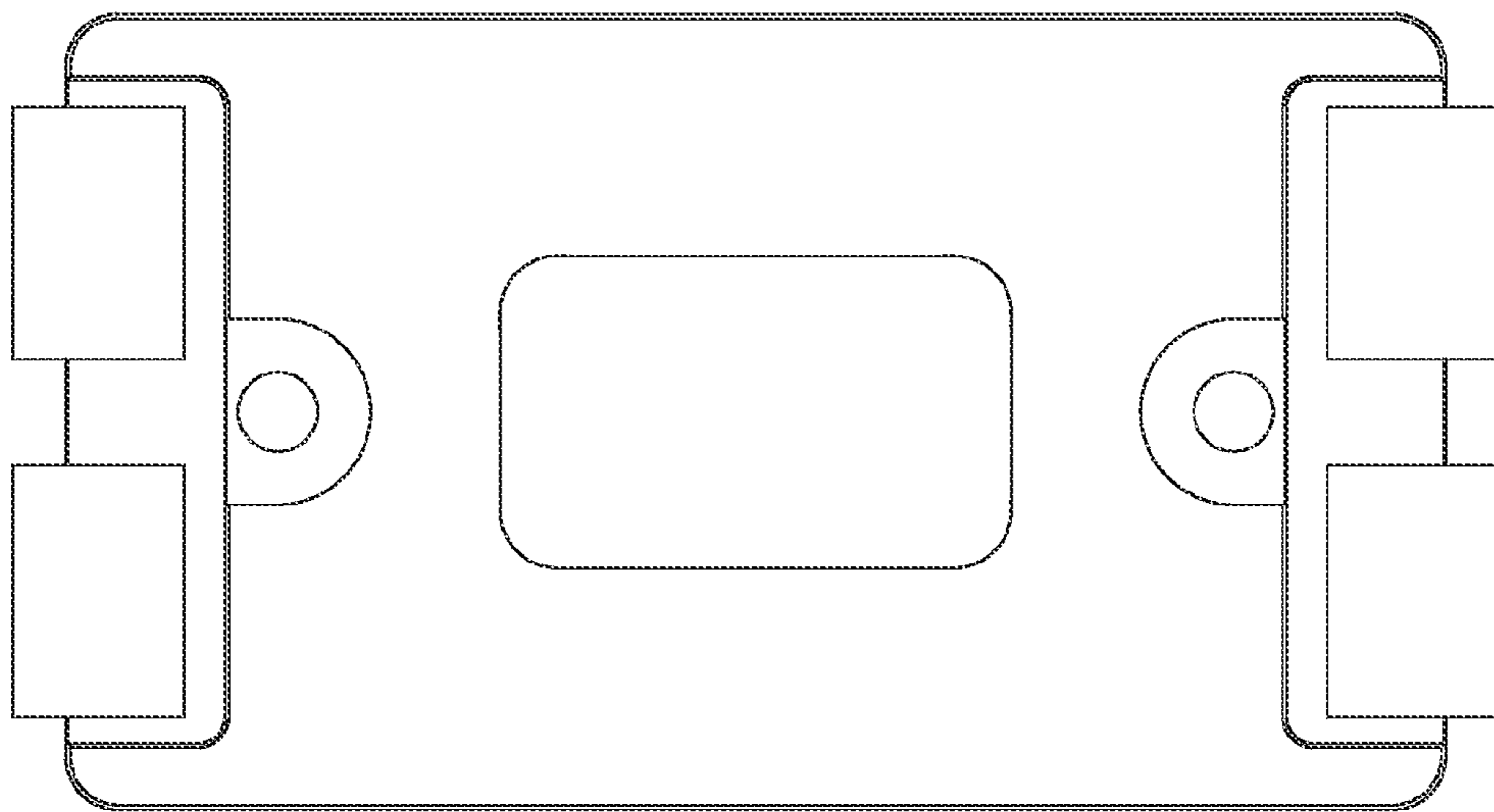


FIG. 7



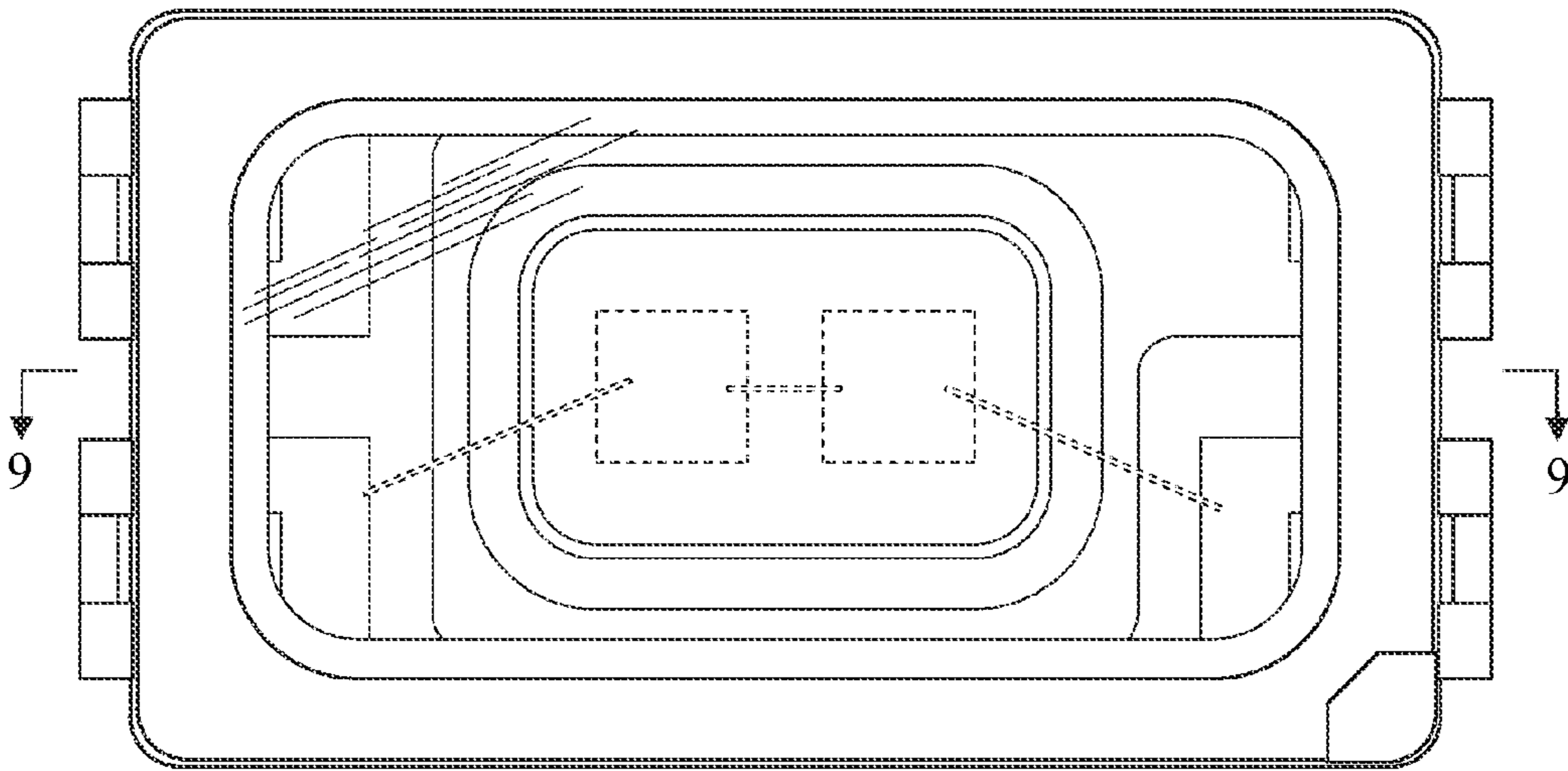


FIG. 8

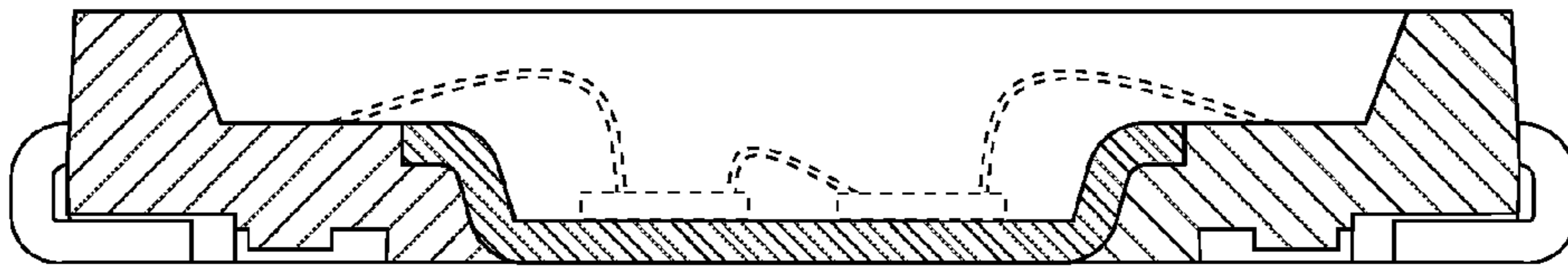


FIG. 9