



US00D626088S

(12) **United States Design Patent**
Luo et al.

(10) **Patent No.:** **US D626,088 S**
(45) **Date of Patent:** **** Oct. 26, 2010**

(54) **CLIP FOR CONTACTING**

(75) Inventors: **Jin-Bo Luo**, Guang-Dong (CN);
Hong-Tu Zhang, Guang Dong (CN);
Ping-Chih Chen, Tu-Cheng (TW);
Ming-Chiang Chen, Tu-Cheng (TW)

(73) Assignee: **Cheng UEI Precision Industry Co., Ltd.**, Tu-Cheng, Taipei Hsien (TW)

(**) Term: **14 Years**

(21) Appl. No.: **29/356,805**

(22) Filed: **Mar. 2, 2010**

(51) **LOC (9) Cl.** **13-03**

(52) **U.S. Cl.** **D13/154**

(58) **Field of Classification Search** D13/154,
D13/184; 439/395–400, 845, 849–852, 861–862,
439/884–885, 888–891

See application file for complete search history.

(56) **References Cited**

U.S. PATENT DOCUMENTS

7,387,543 B1 * 6/2008 Wu et al. 439/668

D589,903 S * 4/2009 Duan et al. D13/154
D593,037 S * 5/2009 Shien-Tang D13/154
D606,024 S * 12/2009 Chiang D13/154
7,677,918 B1 * 3/2010 Huang et al. 439/495

* cited by examiner

Primary Examiner—Daniel D Bui

(74) *Attorney, Agent, or Firm*—Cheng-Ju Chiang

(57) **CLAIM**

The ornamental design for a clip for contacting, as shown and described.

DESCRIPTION

FIG. 1 is a perspective view of a clip for contacting showing our new design;

FIG. 2 is a front elevational view thereof;

FIG. 3 is a rear elevational view thereof;

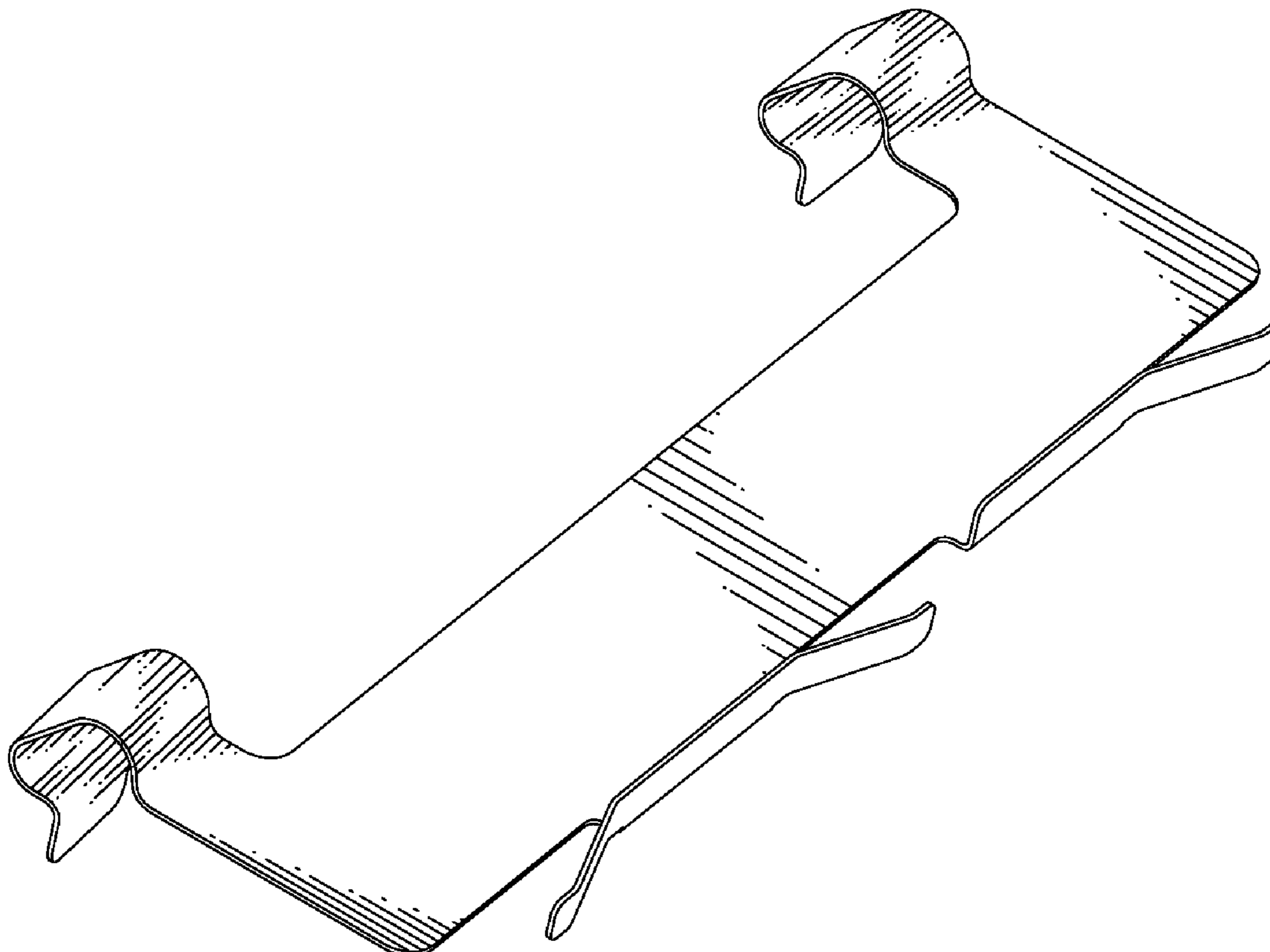
FIG. 4 is a left side elevational view thereof;

FIG. 5 is a right side elevational view thereof;

FIG. 6 is a top plan view thereof; and,

FIG. 7 is a bottom plan view thereof.

1 Claim, 7 Drawing Sheets



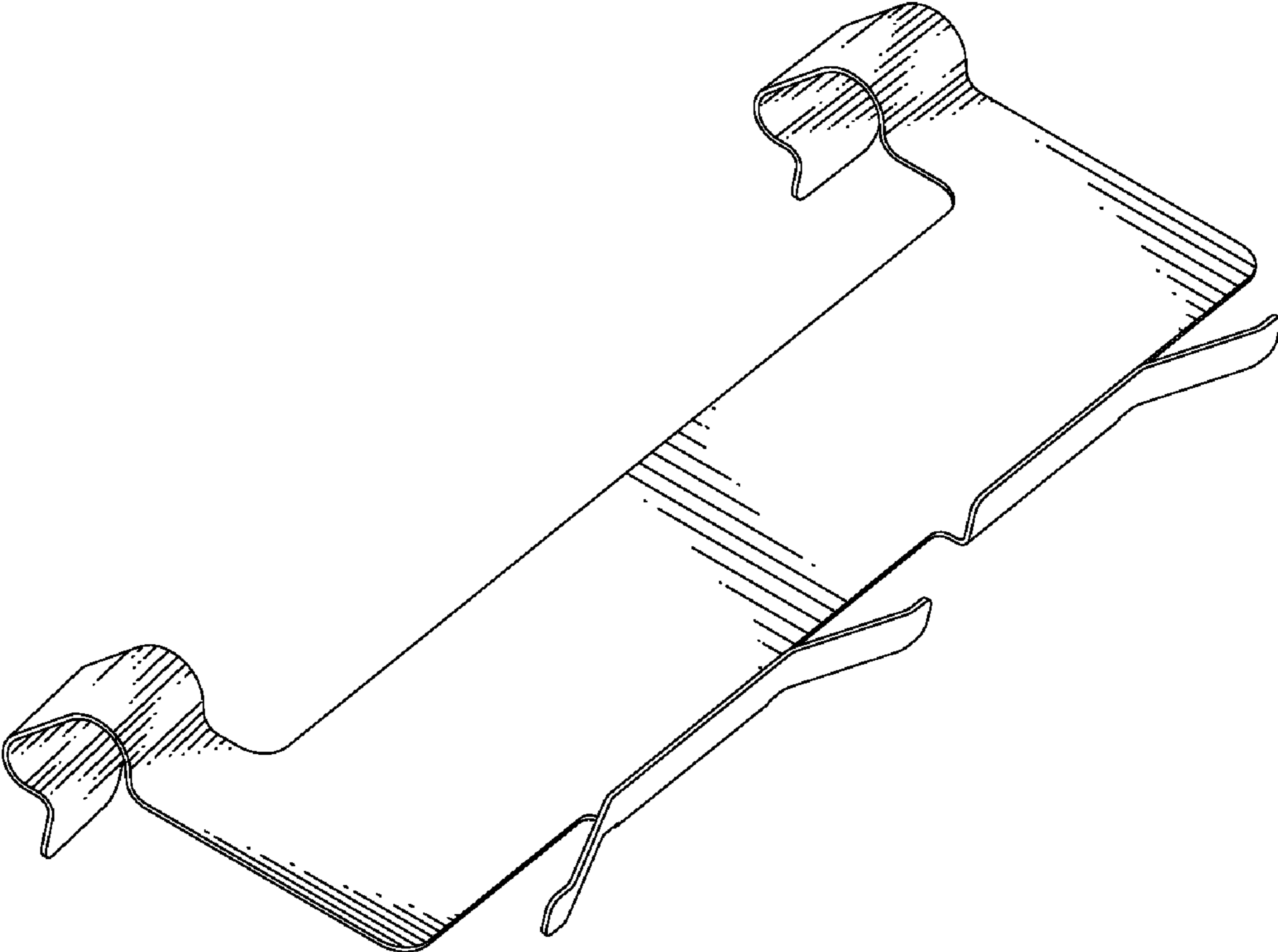


FIG. 1

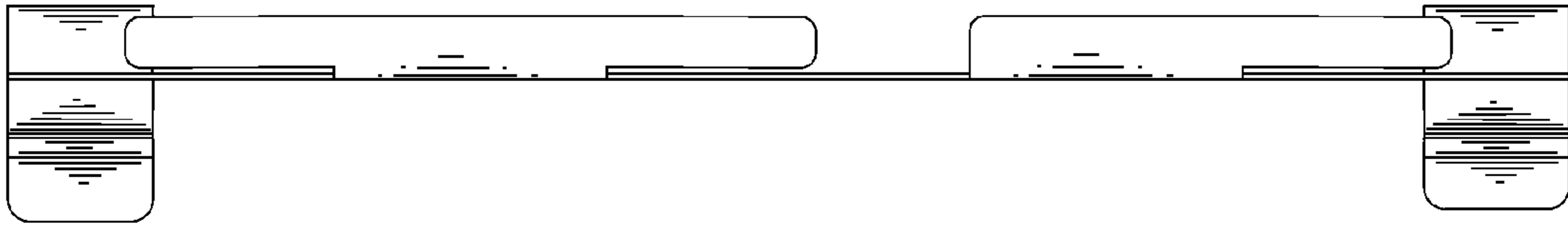


FIG. 2

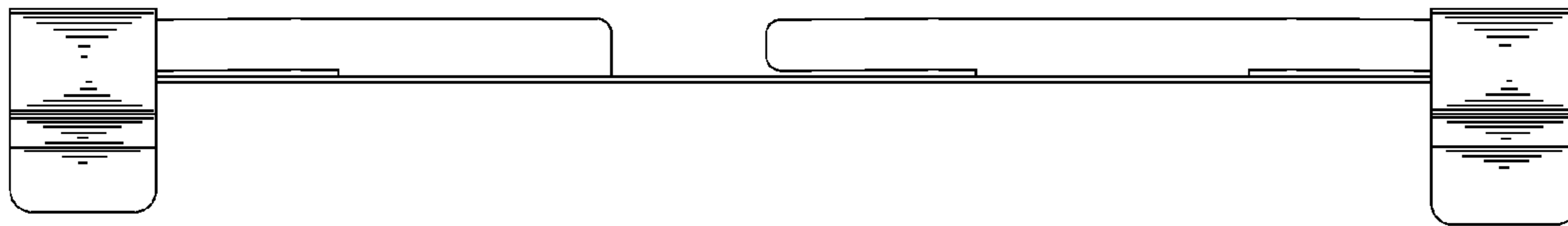


FIG. 3

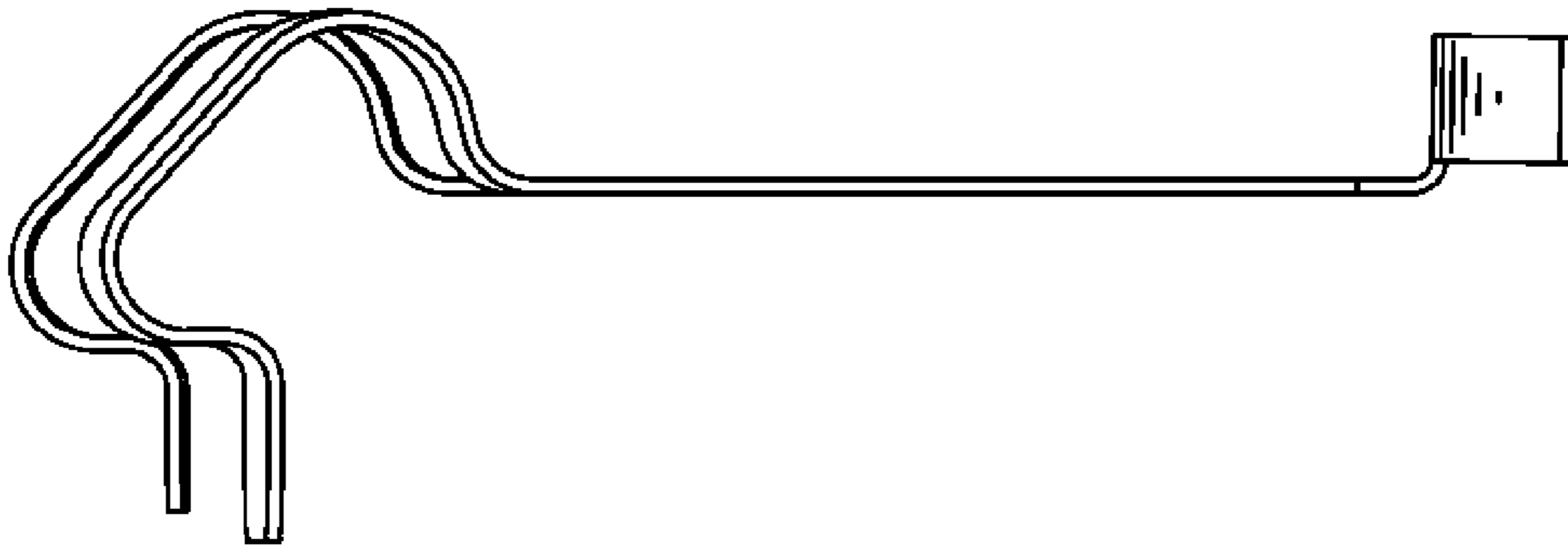


FIG. 4

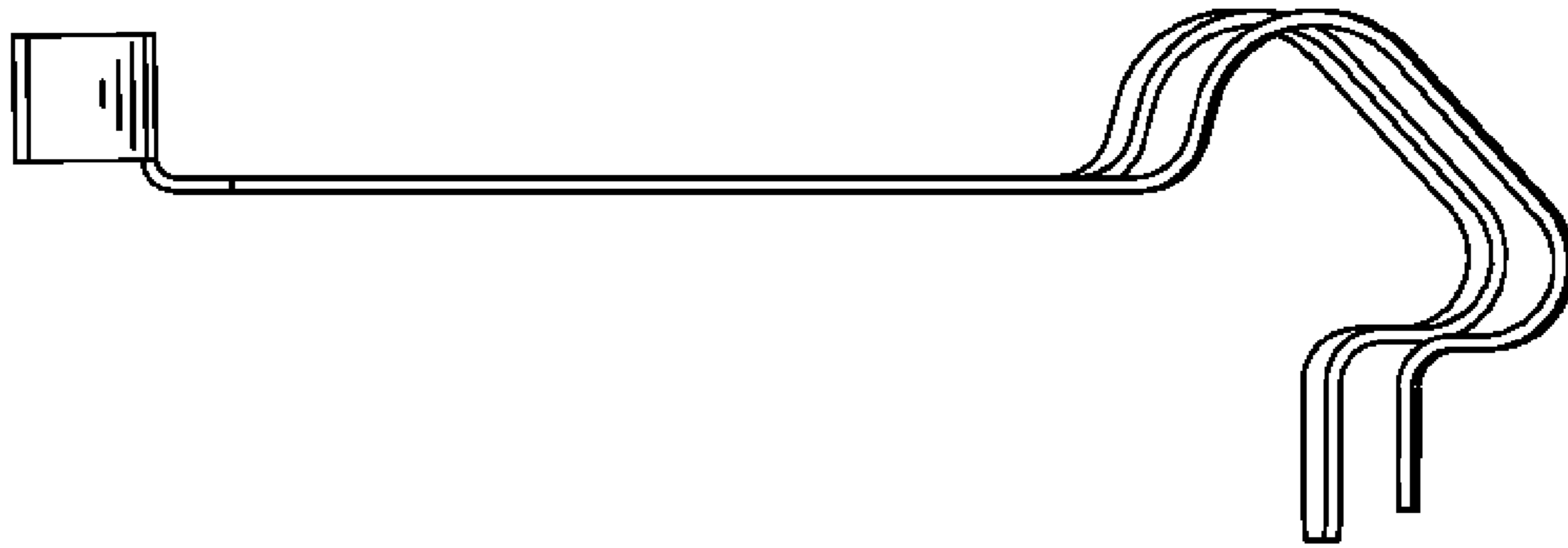


FIG. 5

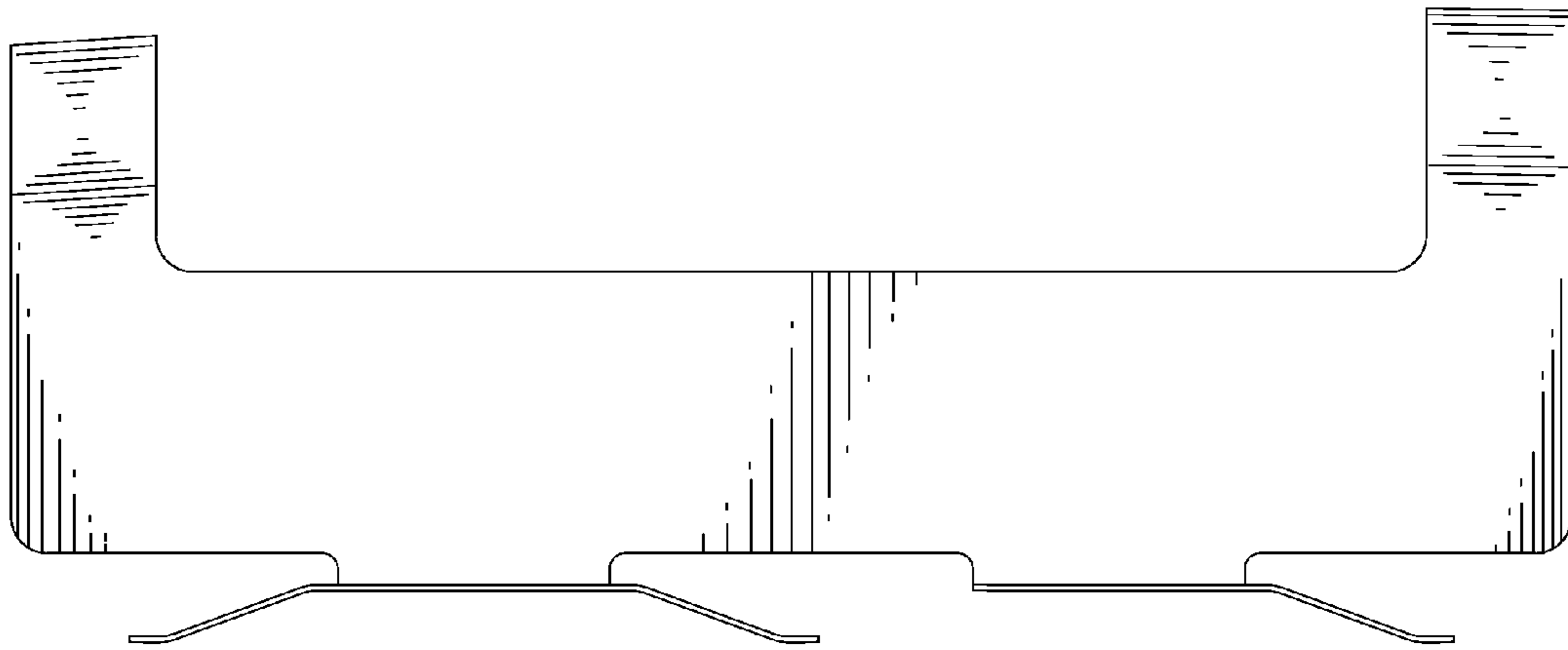


FIG. 6

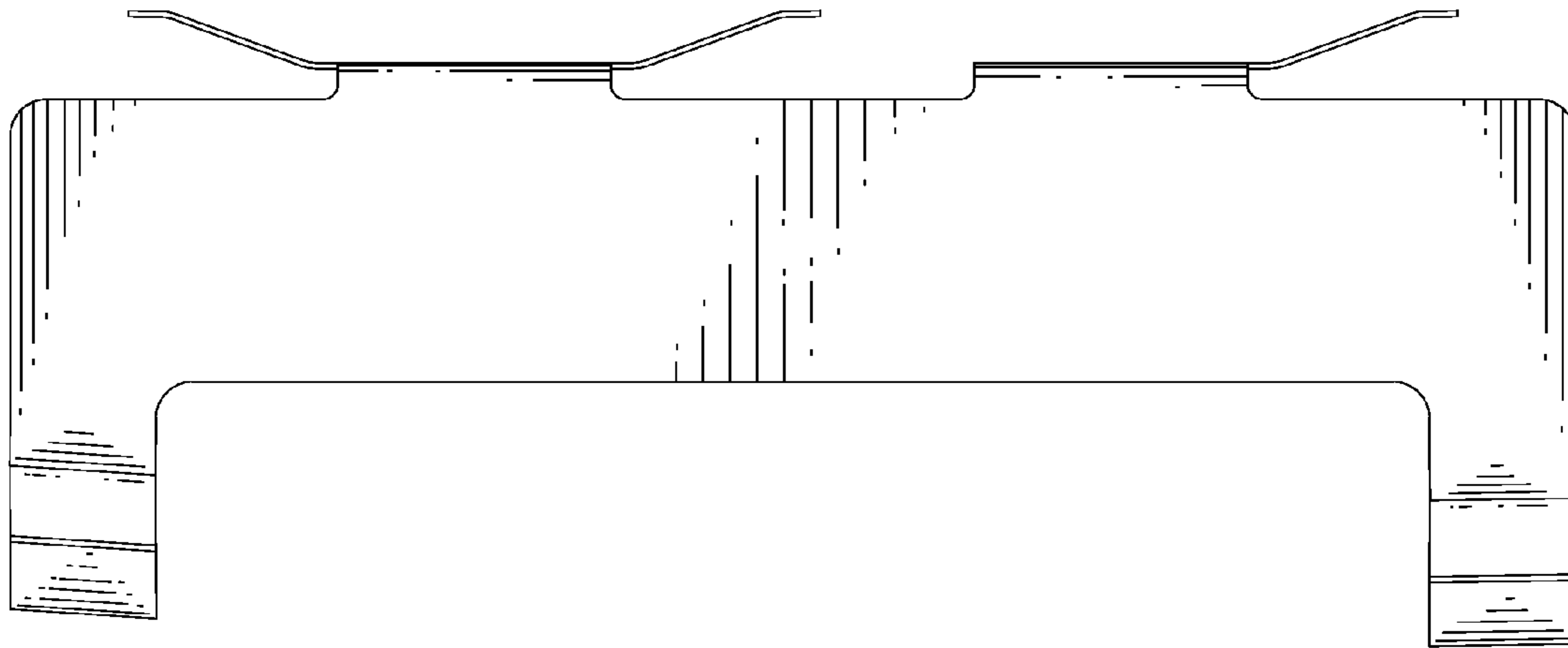


FIG. 7