



US00D626087S

(12) **United States Design Patent**  
**Kiely**

(10) **Patent No.:** **US D626,087 S**

(45) **Date of Patent:** **\*\* Oct. 26, 2010**

(54) **GROUNDING BRIDGE**

(75) Inventor: **Kenneth M. Kiely**, Milford, CT (US)

(73) Assignee: **Bridgeport Fittings, Inc.**, Stratford, CT (US)

(\*\*) Term: **14 Years**

(21) Appl. No.: **29/348,780**

(22) Filed: **Feb. 9, 2010**

(51) **LOC (9) Cl.** ..... **13-03**

(52) **U.S. Cl.** ..... **D13/148; D13/151**

(58) **Field of Classification Search** ..... D13/133,  
D13/148, 149, 151, 154, 184, 199; 439/331,  
439/526, 68, 73, 862; D8/354  
See application file for complete search history.

(56) **References Cited**

**U.S. PATENT DOCUMENTS**

D195,623	S	*	7/1963	Leonardo	.....	D13/149
D299,126	S	*	12/1988	Johnson	.....	D13/154
5,036,164	A	*	7/1991	Schrader et al.	.....	174/94 R
D343,385	S	*	1/1994	Sachs	.....	D13/154
D408,362	S	*	4/1999	Coll	.....	D13/149
D408,364	S	*	4/1999	Hsiang	.....	D13/151
D470,461	S	*	2/2003	Liang	.....	D13/151
D536,307	S	*	2/2007	Rizzo et al.	.....	D13/149
D585,833	S	*	2/2009	Sherman	.....	D13/149
D598,855	S	*	8/2009	Stromiedel et al.	.....	D13/133
D615,497	S	*	5/2010	Woodward et al.	.....	D13/149
D616,286	S	*	5/2010	Foresman	.....	D8/354

\* cited by examiner

*Primary Examiner*—Daniel D Bui

*Assistant Examiner*—Thomas J Johannes

(74) *Attorney, Agent, or Firm*—Alfred A. Fressola; Ware, Fressola, Van Der Sluys & Adolphson LLP

(57) **CLAIM**

The ornamental design for a grounding bridge, as shown and described.

**DESCRIPTION**

FIG. 1 is a perspective view of a first embodiment of a grounding bridge showing my new design;

FIG. 2 is a top plan view thereof;

FIG. 3 is a side elevational view thereof, looking from the right side of FIG. 2;

FIG. 4 is a side elevational view thereof, looking from the left side of FIG. 2;

FIG. 5 is a bottom plan view thereof;

FIG. 6 is a rear elevational view thereof;

FIG. 7 is a front elevational view thereof;

FIG. 8 is a perspective view of a second embodiment of a grounding bridge showing my new design;

FIG. 9 is a top plan view thereof;

FIG. 10 is a side elevational view thereof, looking from the right side of FIG. 8;

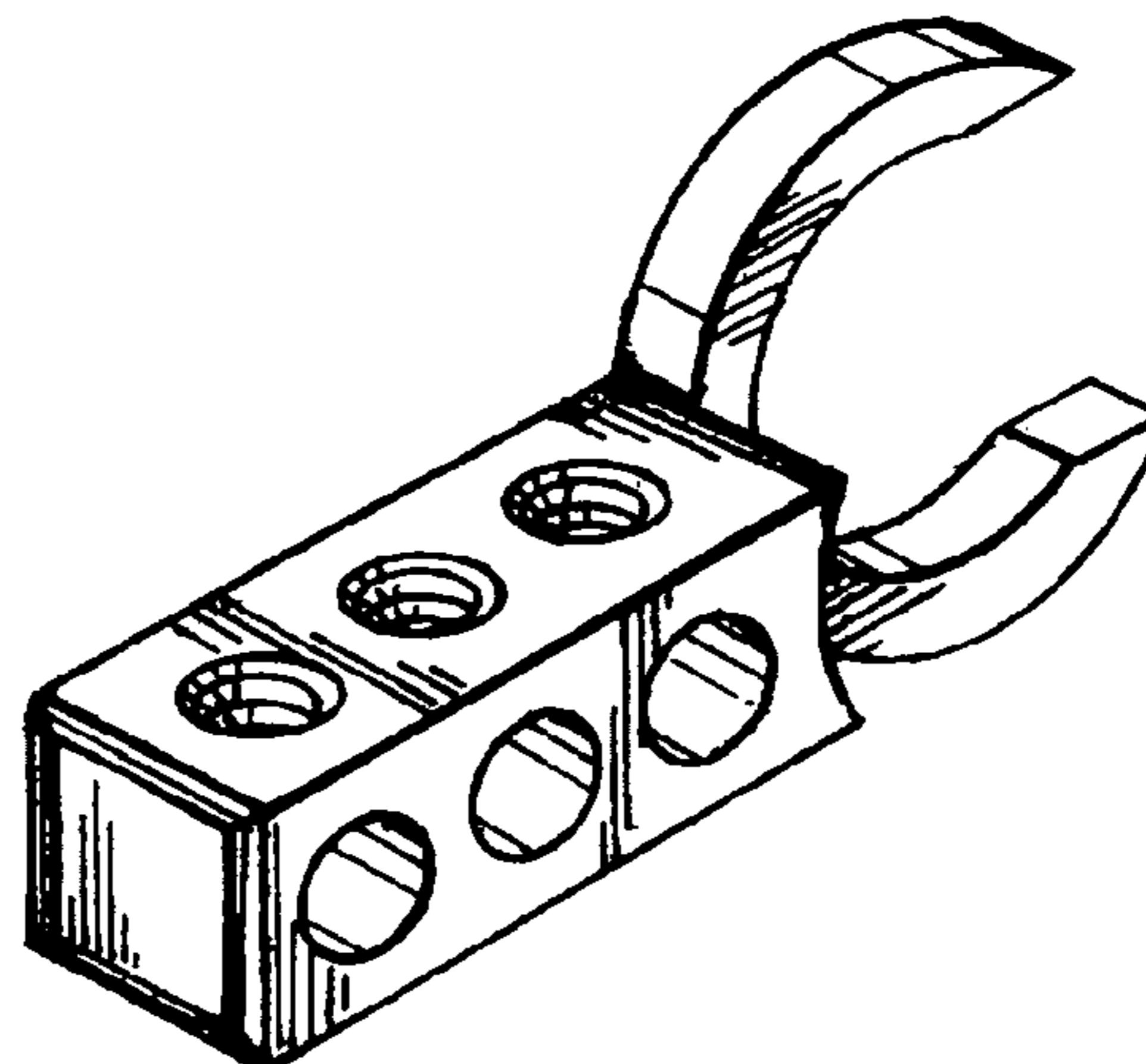
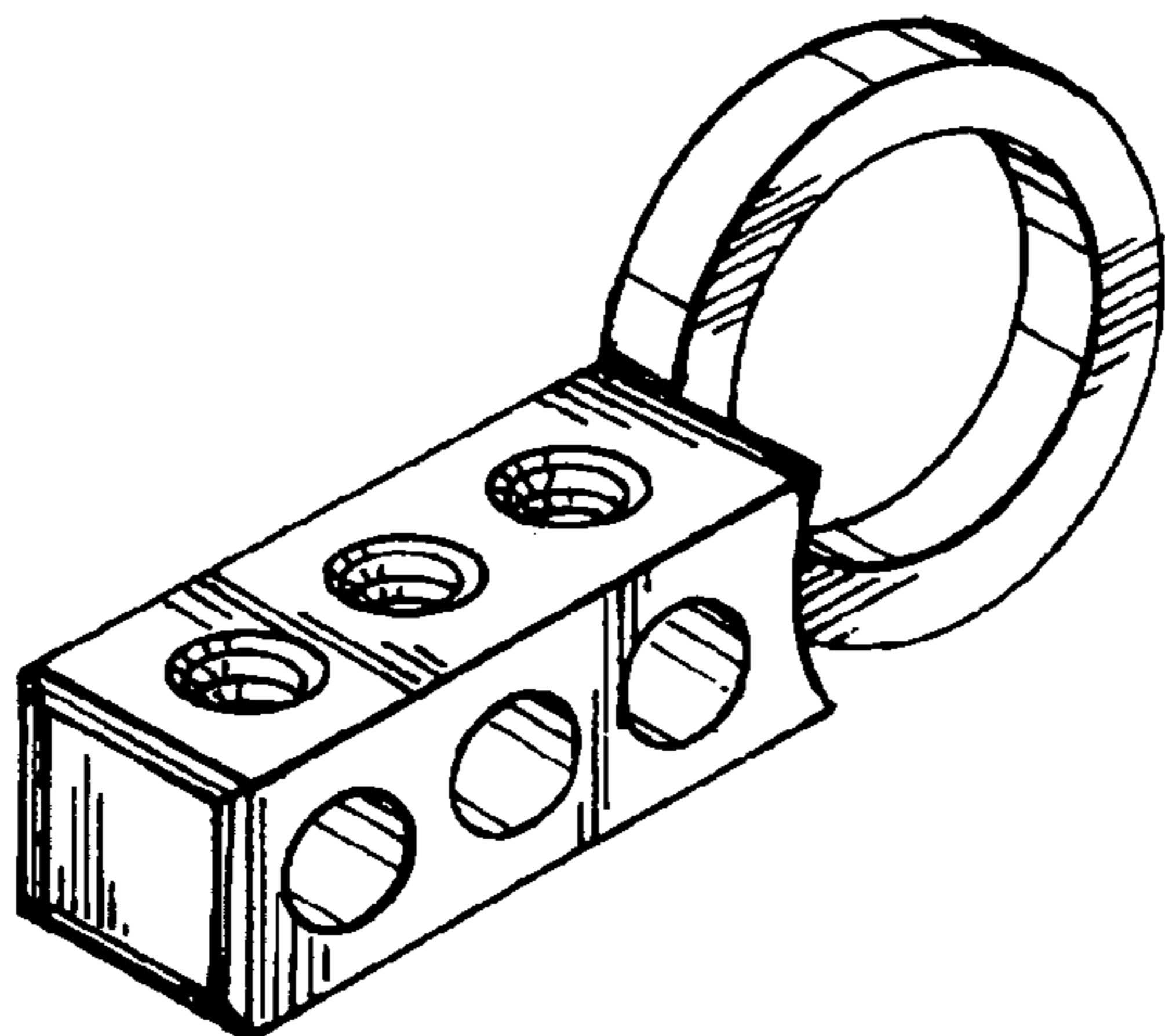
FIG. 11 is a side elevational view thereof, looking from the left side of FIG. 8;

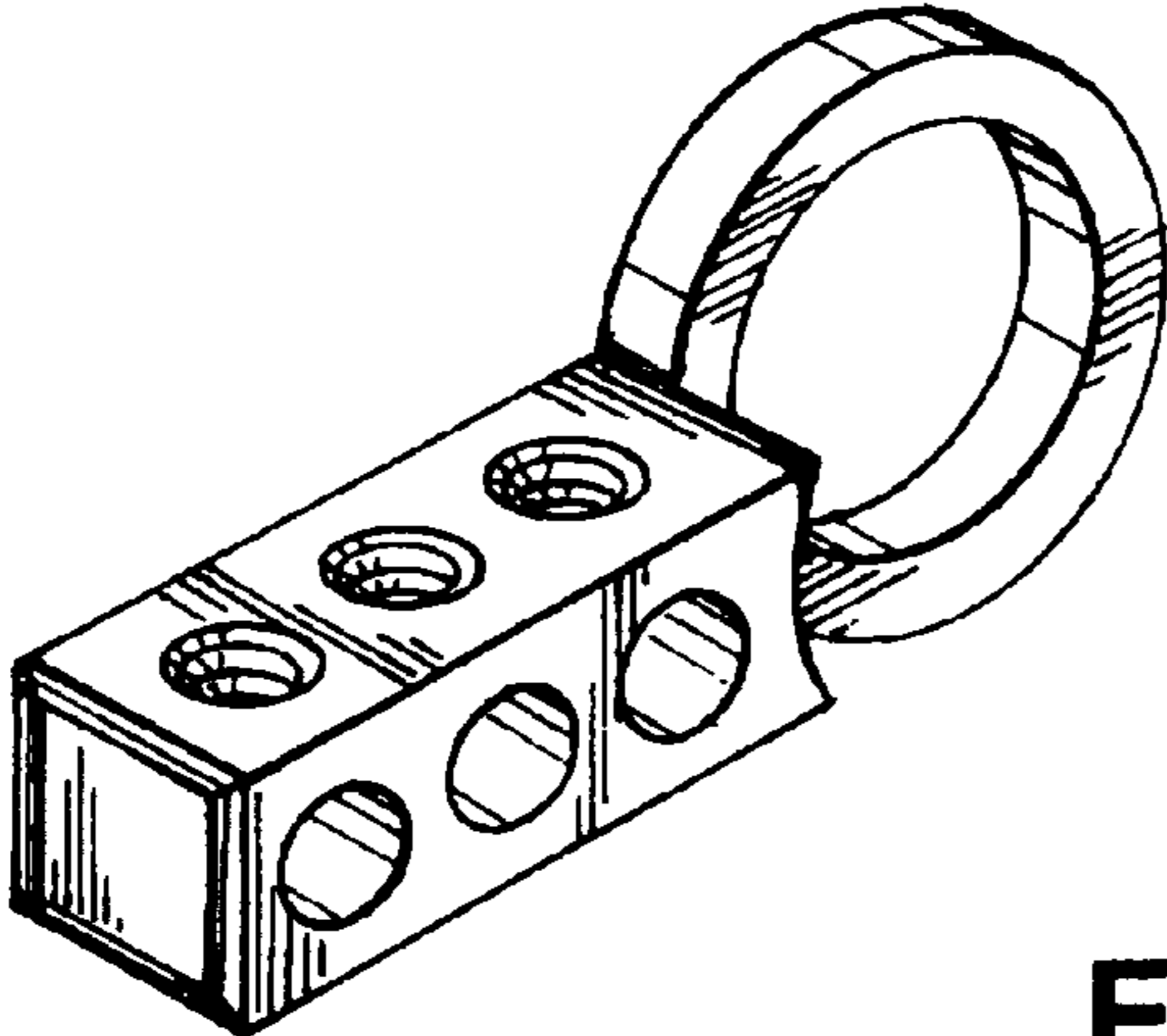
FIG. 12 is a bottom plan view thereof;

FIG. 13 is a rear elevational view thereof; and,

FIG. 14 is a front elevational view thereof.

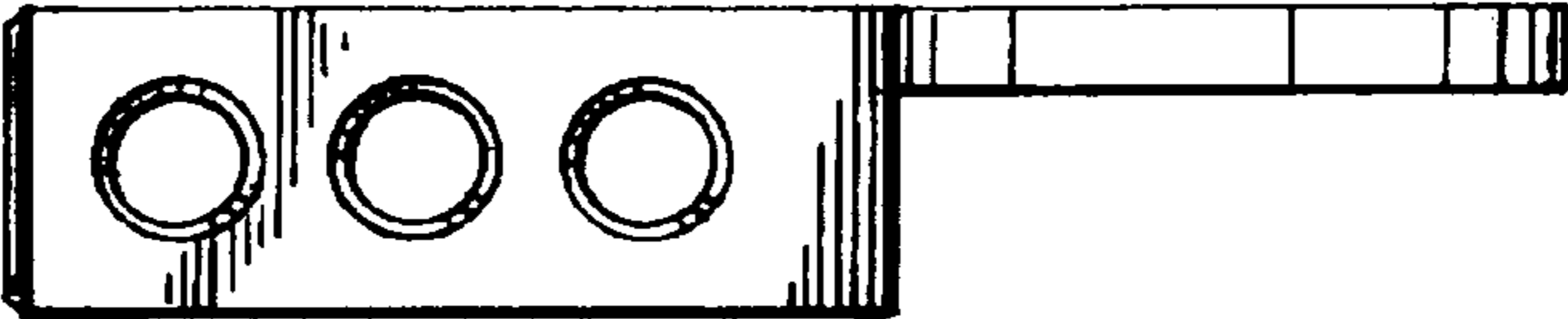
**1 Claim, 3 Drawing Sheets**





**FIG. 1**

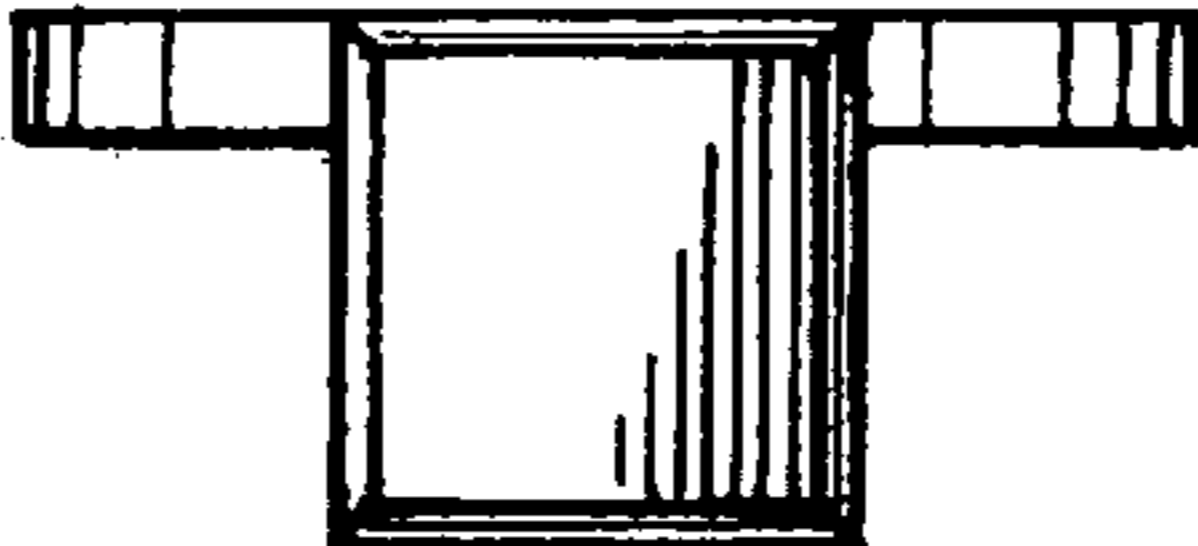
**FIG. 2**



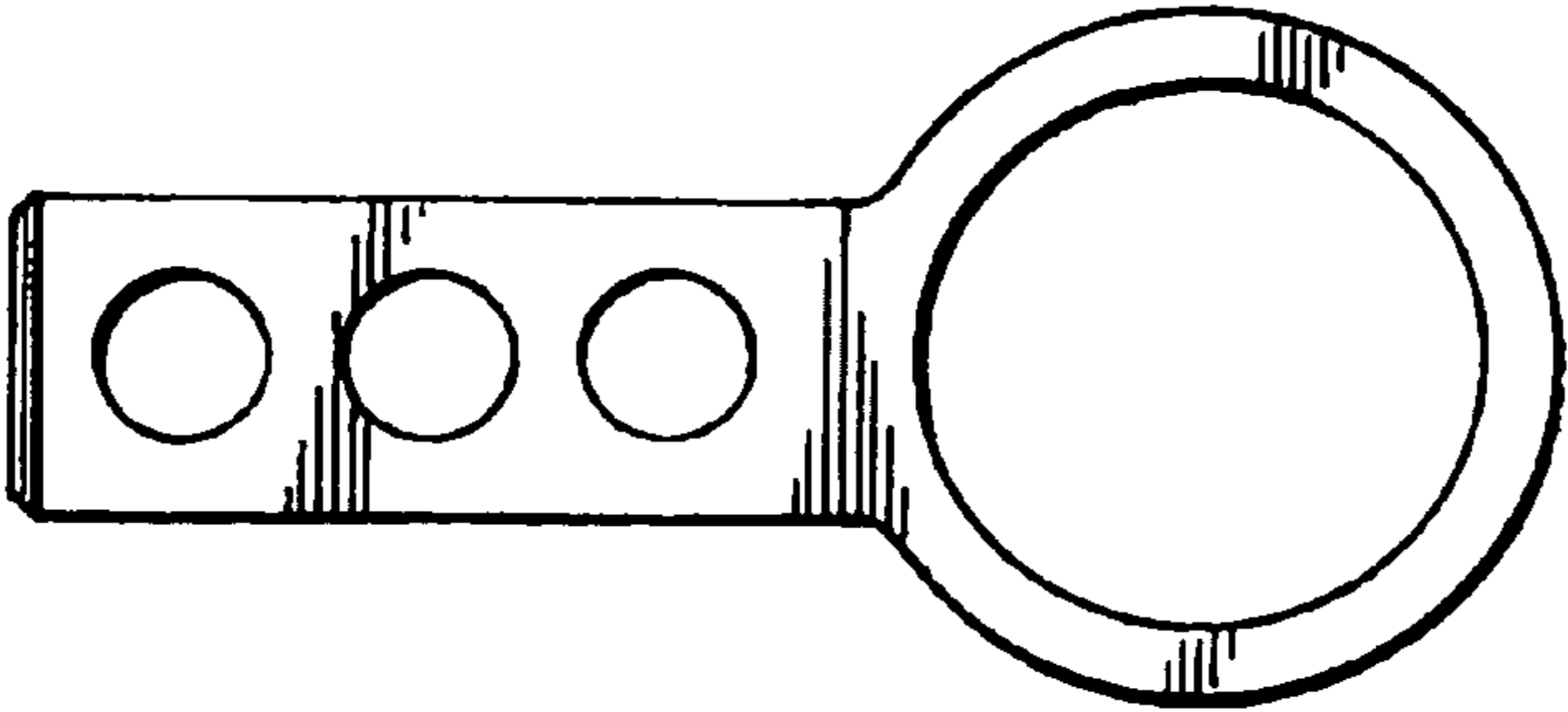
**FIG. 3**



**FIG. 4**



**FIG. 5**



**FIG. 6**

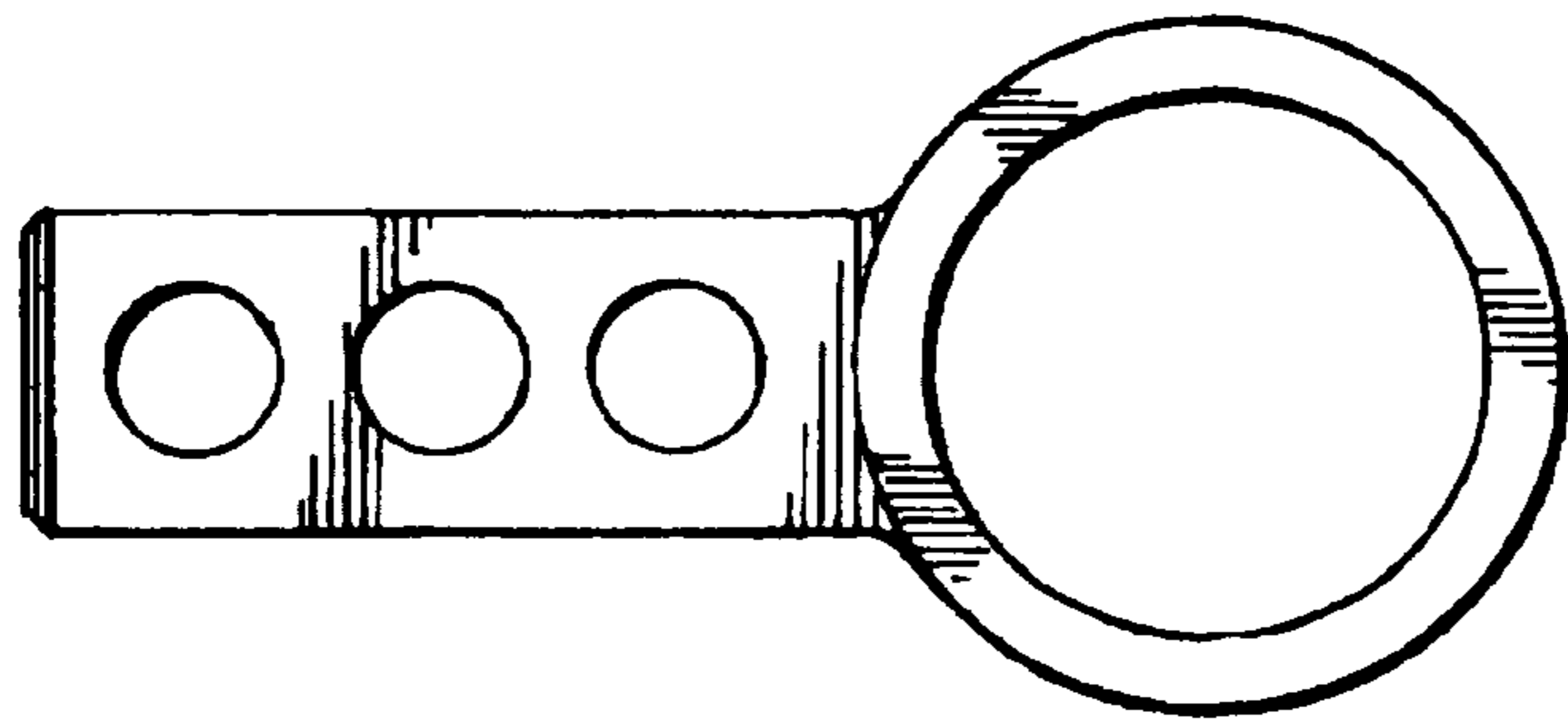


FIG. 7

FIG. 8

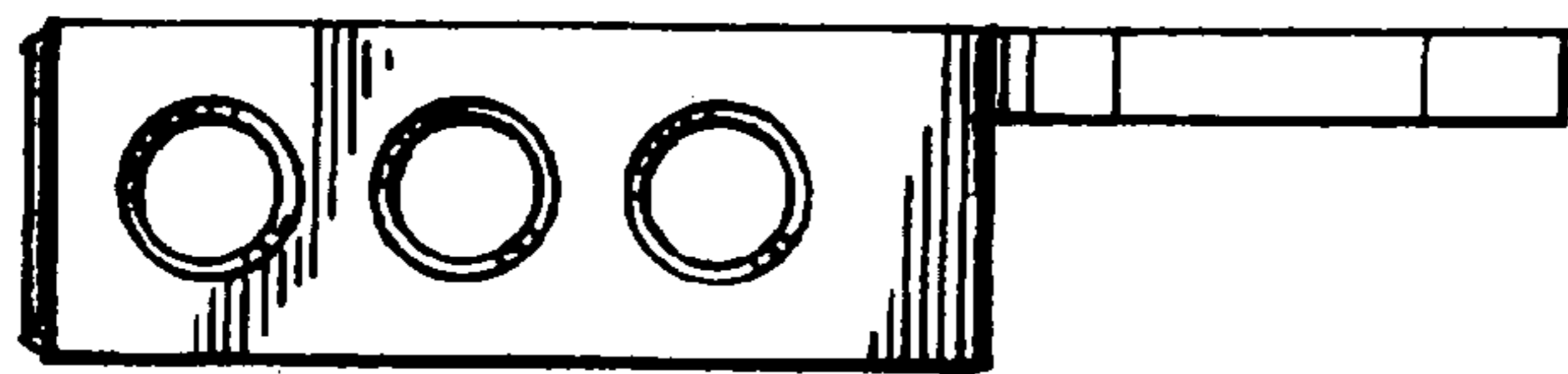
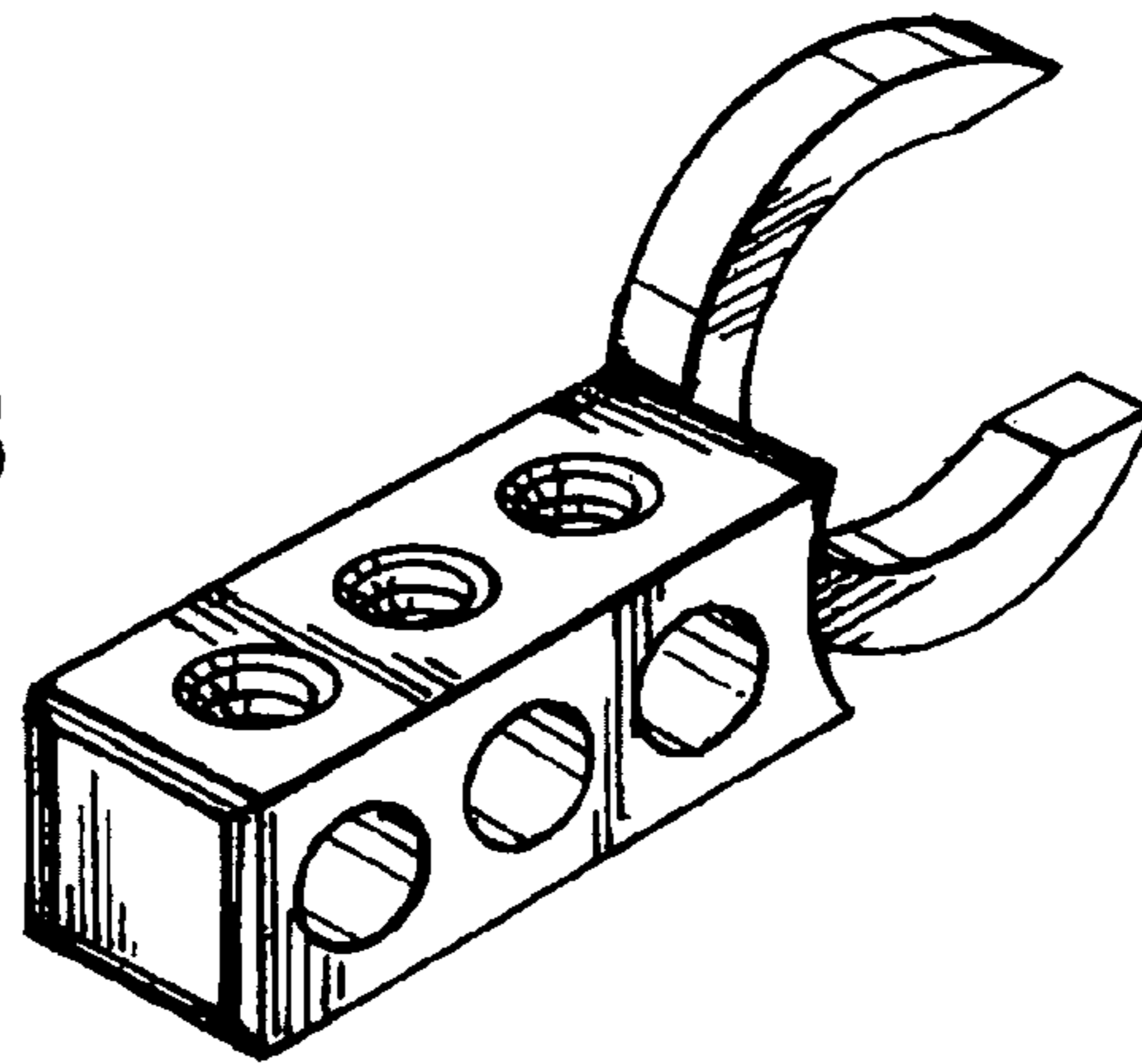


FIG. 9

FIG. 10

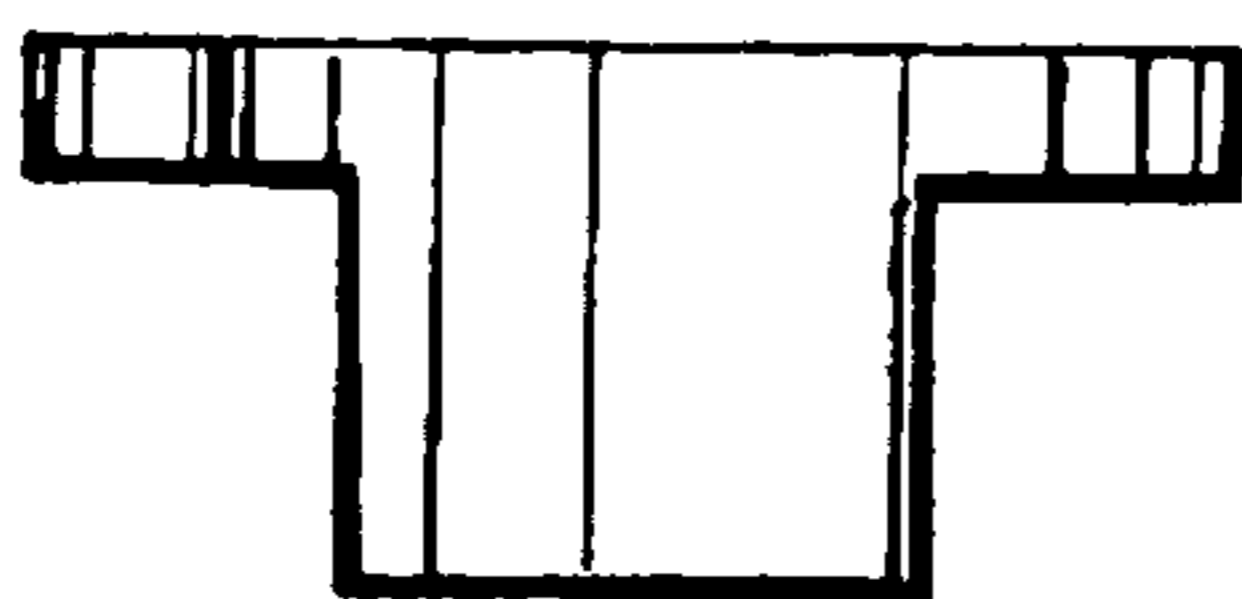
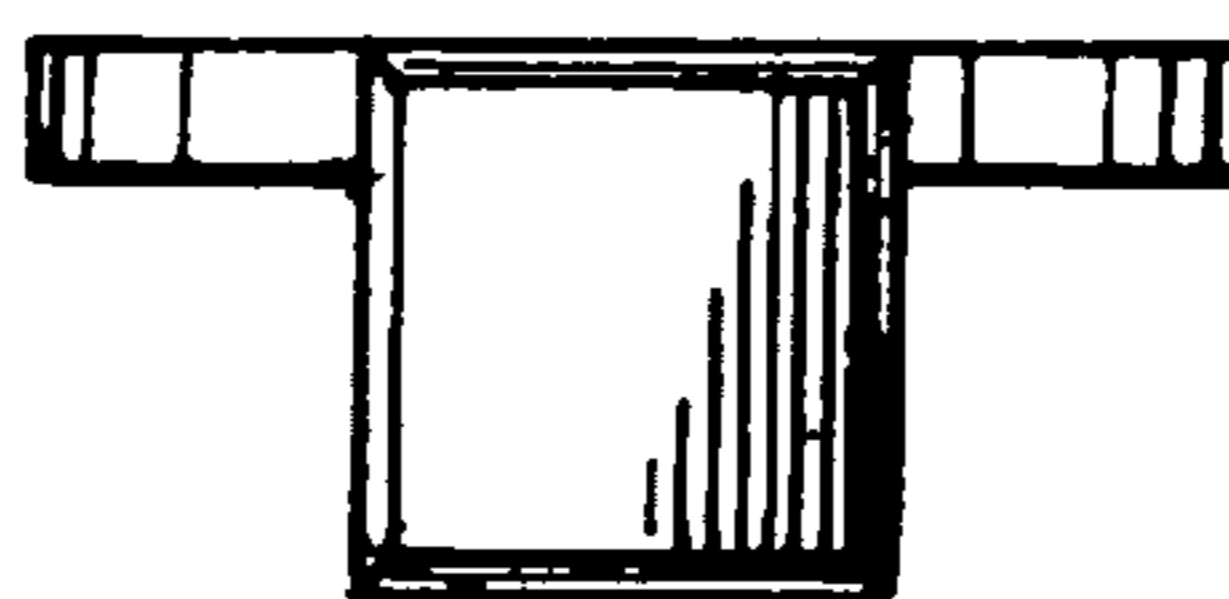
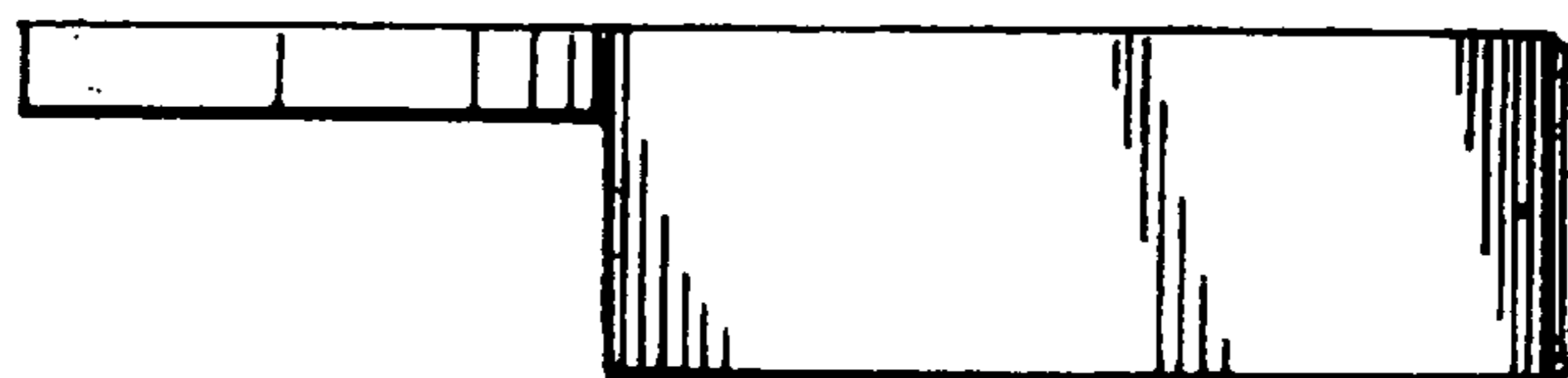


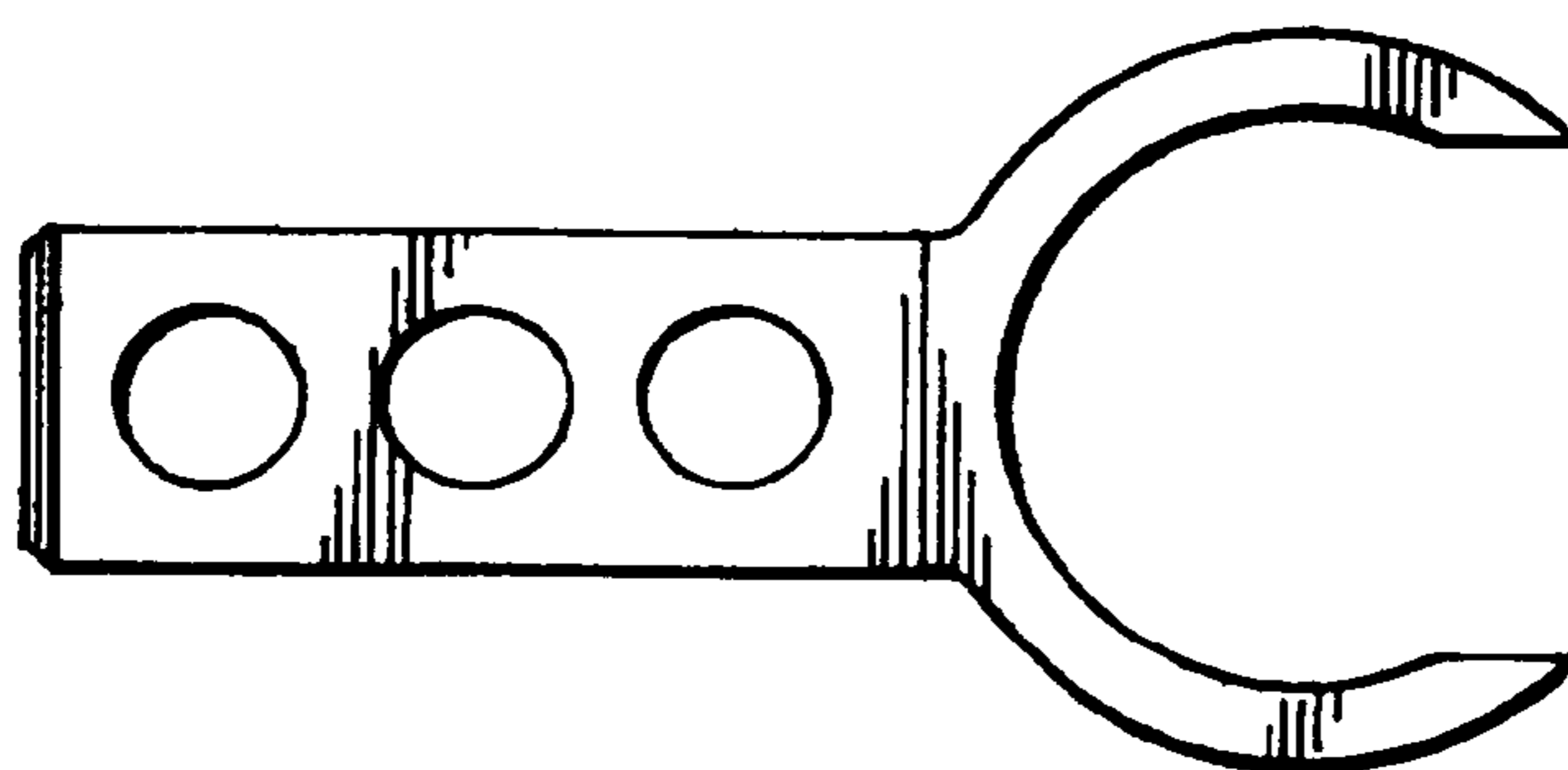
FIG. 11



**FIG. 12**



**FIG. 13**



**FIG. 14**

