



US00D626080S

(12) **United States Design Patent**  
**Zong**

(10) **Patent No.:** **US D626,080 S**

(45) **Date of Patent:** **\*\* Oct. 26, 2010**

(54) **RECEPTACLE CONNECTOR**

(75) Inventor: **Jun Zong**, Guang-Dong (CN)

(73) Assignee: **Cheng UEI Precision Industry Co., Ltd.**, Tu-Cheng, Taipei Hsien (TW)

(\*\*) Term: **14 Years**

(21) Appl. No.: **29/357,988**

(22) Filed: **Mar. 19, 2010**

(51) **LOC (9) Cl.** ..... **13-03**

(52) **U.S. Cl.** ..... **D13/147**

(58) **Field of Classification Search** ..... D13/133,  
D13/147, 154; 439/108, 476.1, 483, 527,  
439/533, 607.1, 607.4, 607.5, 607.17, 607.25,  
439/607.34, 607.41, 607.53, 892, 894  
See application file for complete search history.

(56) **References Cited**

**U.S. PATENT DOCUMENTS**

D508,679 S *	8/2005	Li et al.	.....	D13/147
D509,800 S *	9/2005	Hu et al.	.....	D13/147
D522,971 S *	6/2006	Shang-Yen et al.	.....	D13/147
D592,145 S *	5/2009	Sun	.....	D13/147
D598,390 S *	8/2009	Sun et al.	.....	D13/147

D616,371 S *	5/2010	Ma et al.	.....	D13/147
D618,624 S *	6/2010	Chiang	.....	D13/147

\* cited by examiner

*Primary Examiner*—Daniel D Bui

(74) *Attorney, Agent, or Firm*—Cheng-Ju Chiang

(57) **CLAIM**

The ornamental design for a receptacle connector, as shown and described.

**DESCRIPTION**

FIG. 1 is a perspective view of a receptacle connector showing my new design;

FIG. 2 is a front elevational view thereof;

FIG. 3 is a rear elevational view thereof;

FIG. 4 is a left side elevational view thereof;

FIG. 5 is a right side elevational view thereof;

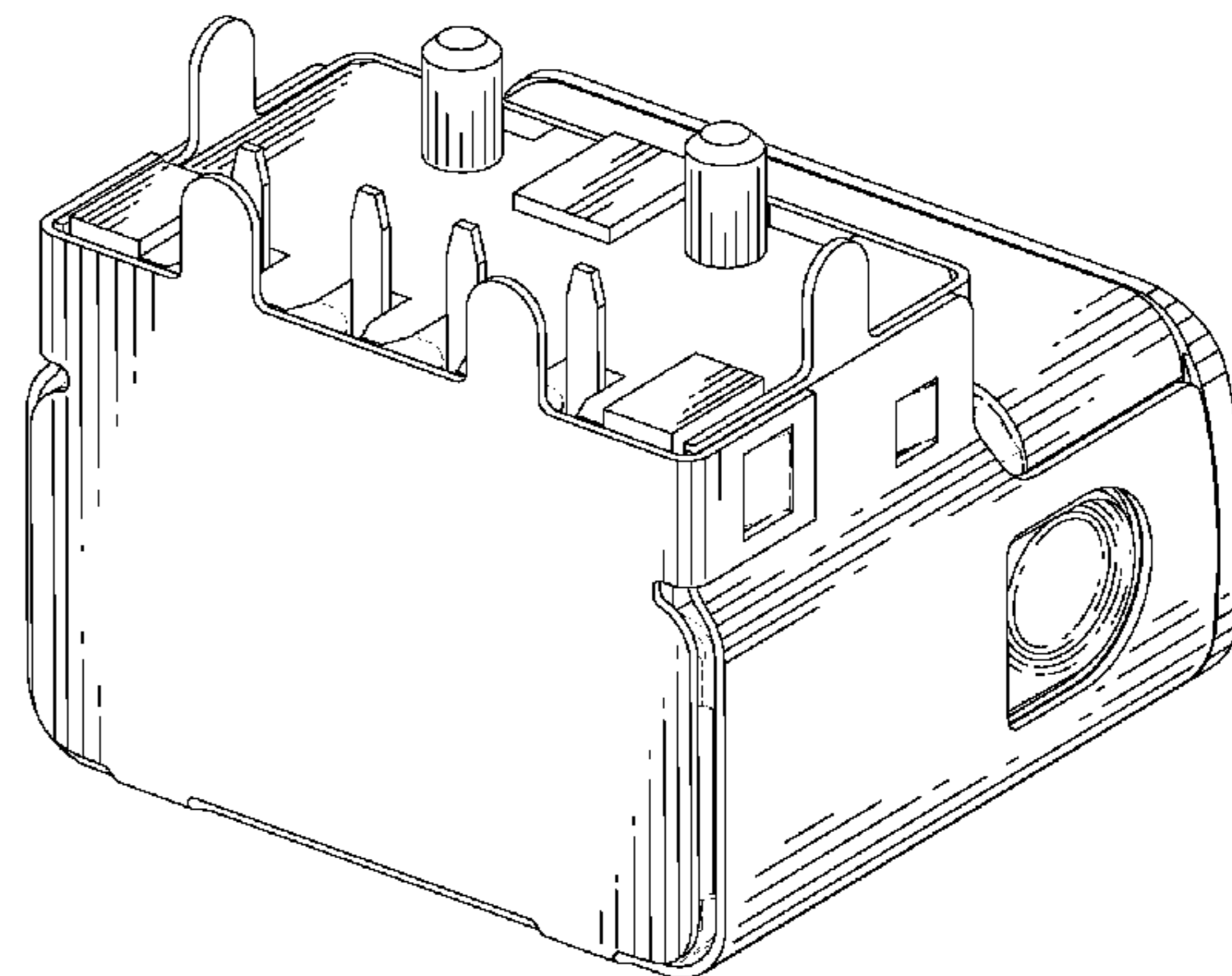
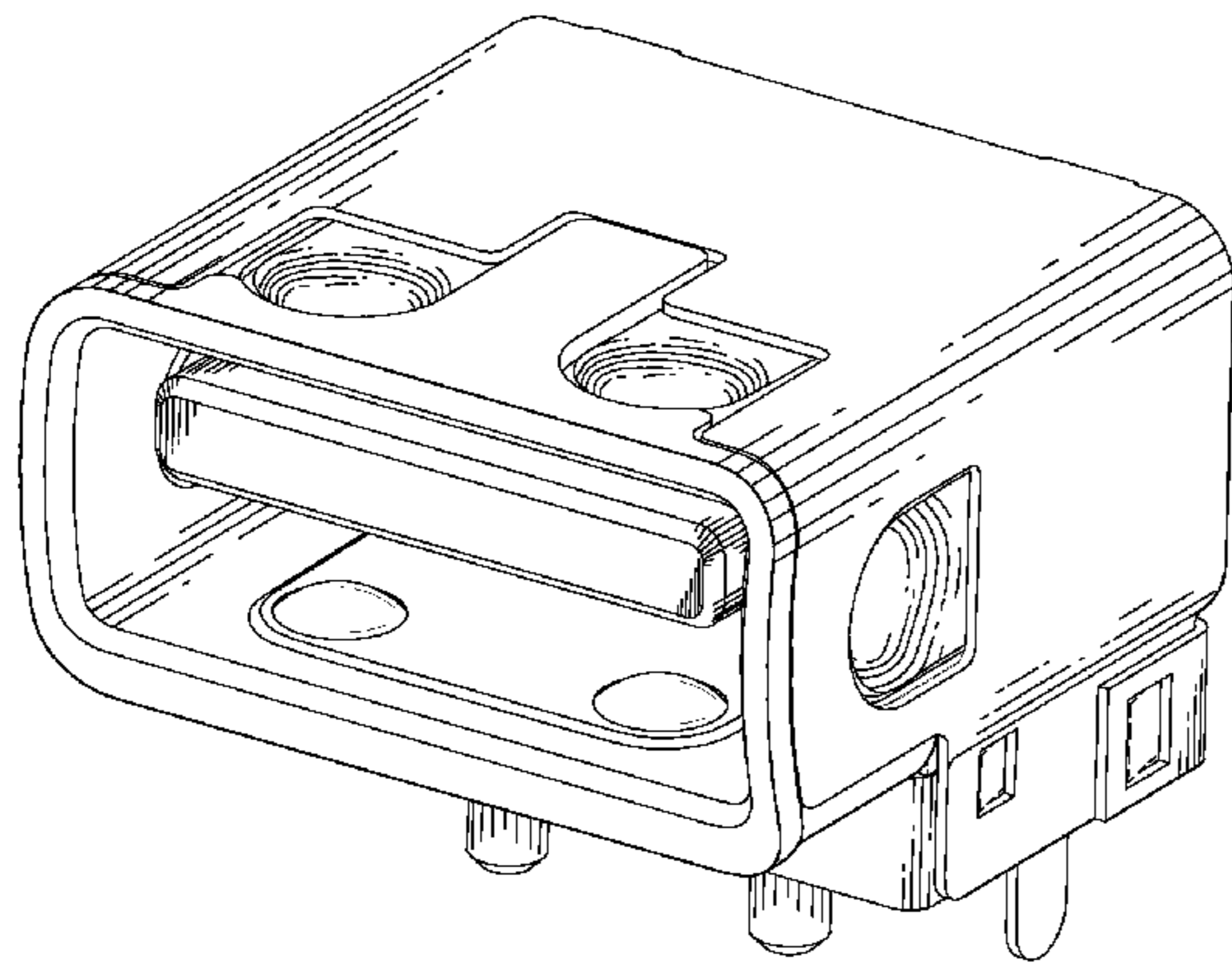
FIG. 6 is a top plan view thereof;

FIG. 7 is a bottom plan view thereof; and,

FIG. 8 is another perspective view of the receptacle connector showing my new design.

The broken line portion of the figure drawings is included to show unclaimed subject matter only and forms no part of the claimed design.

**1 Claim, 8 Drawing Sheets**



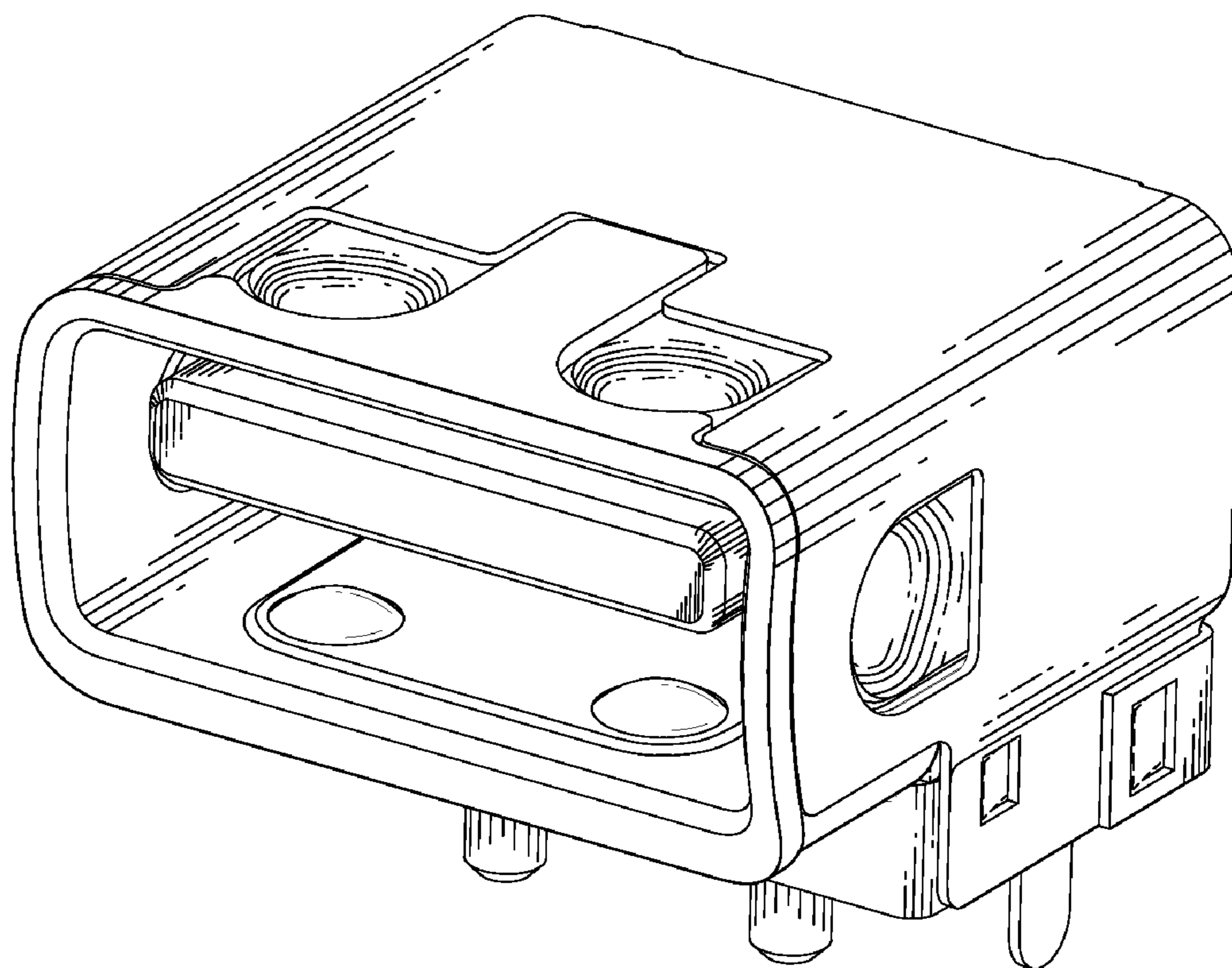


FIG. 1

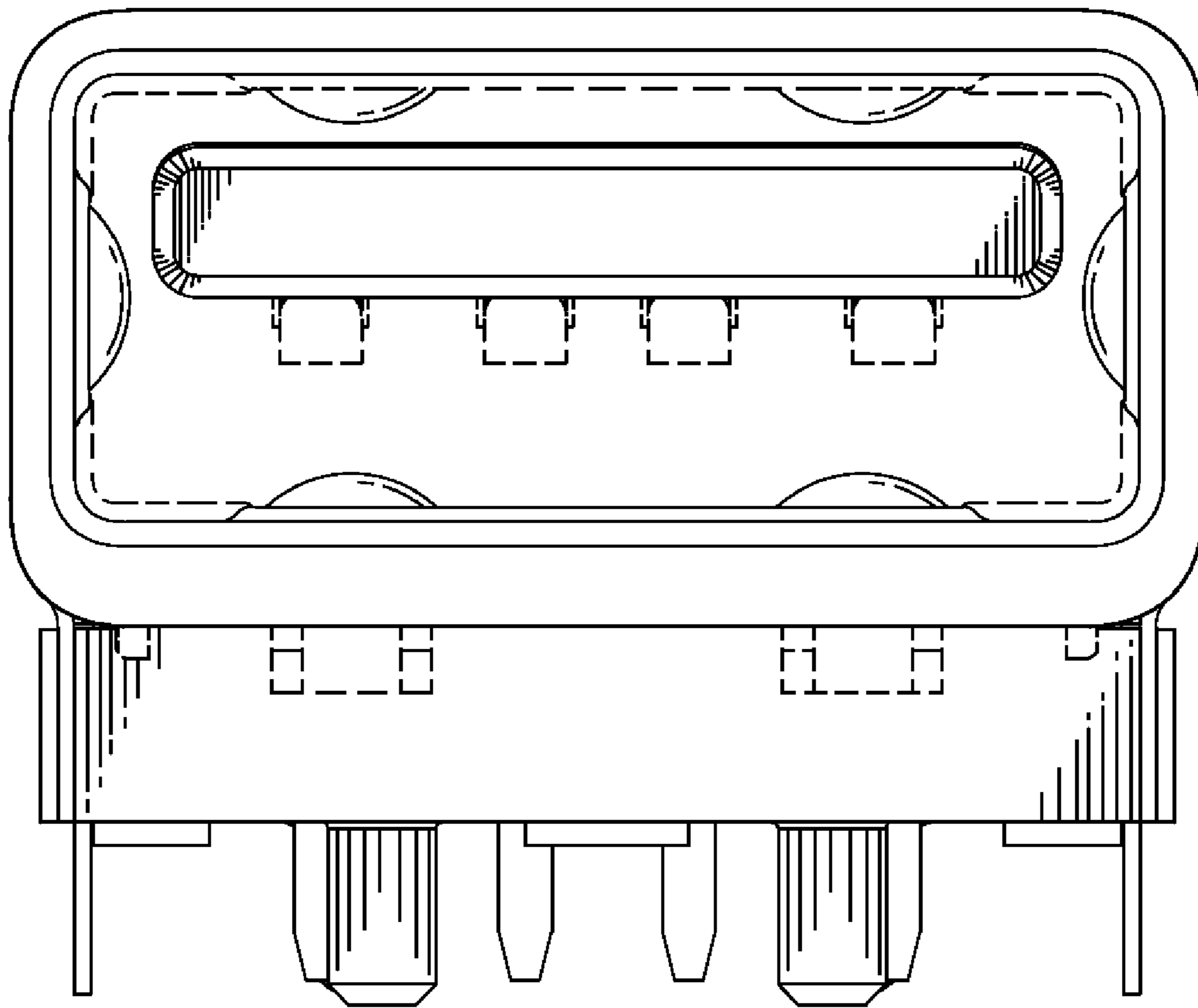


FIG. 2

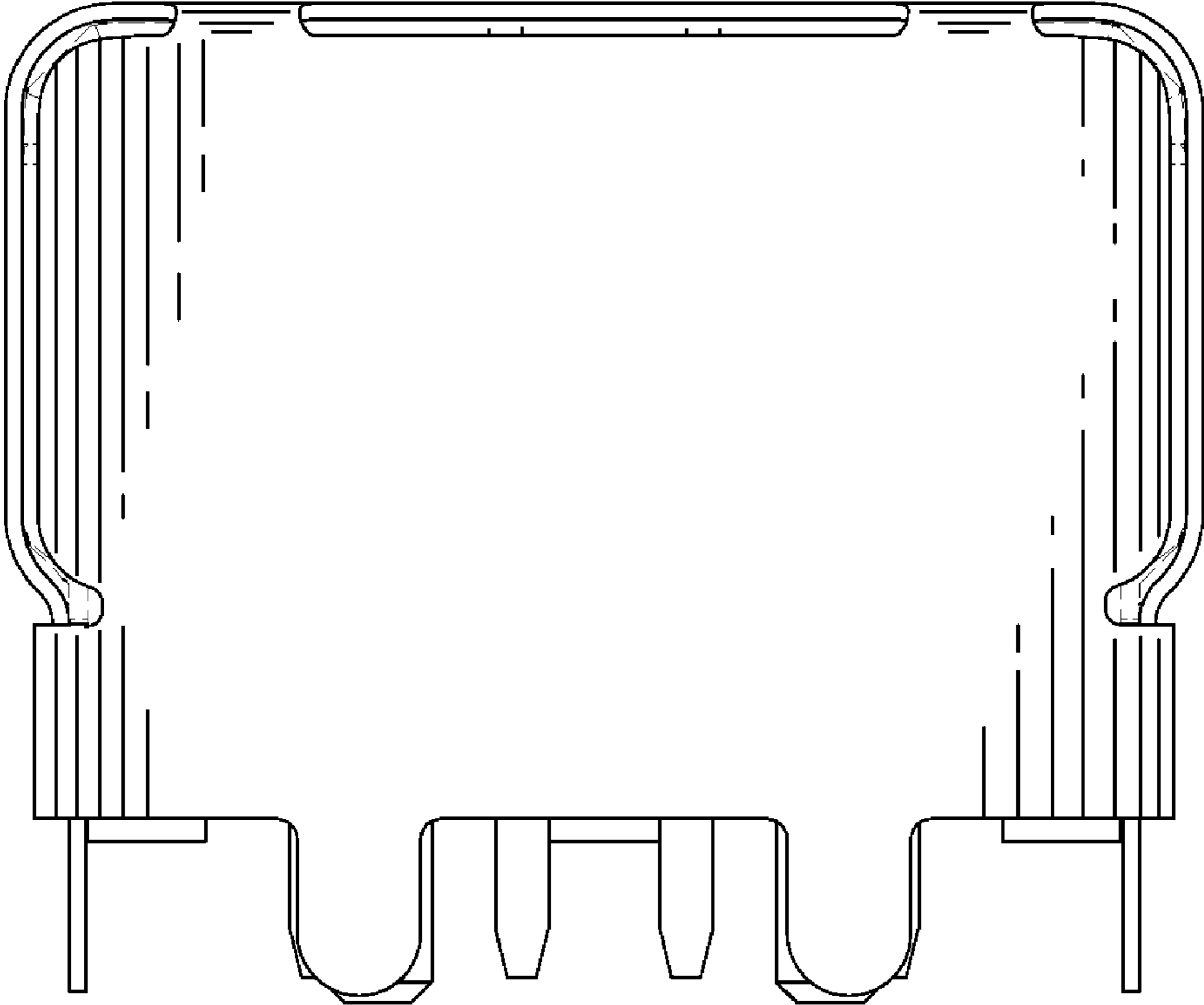


FIG. 3

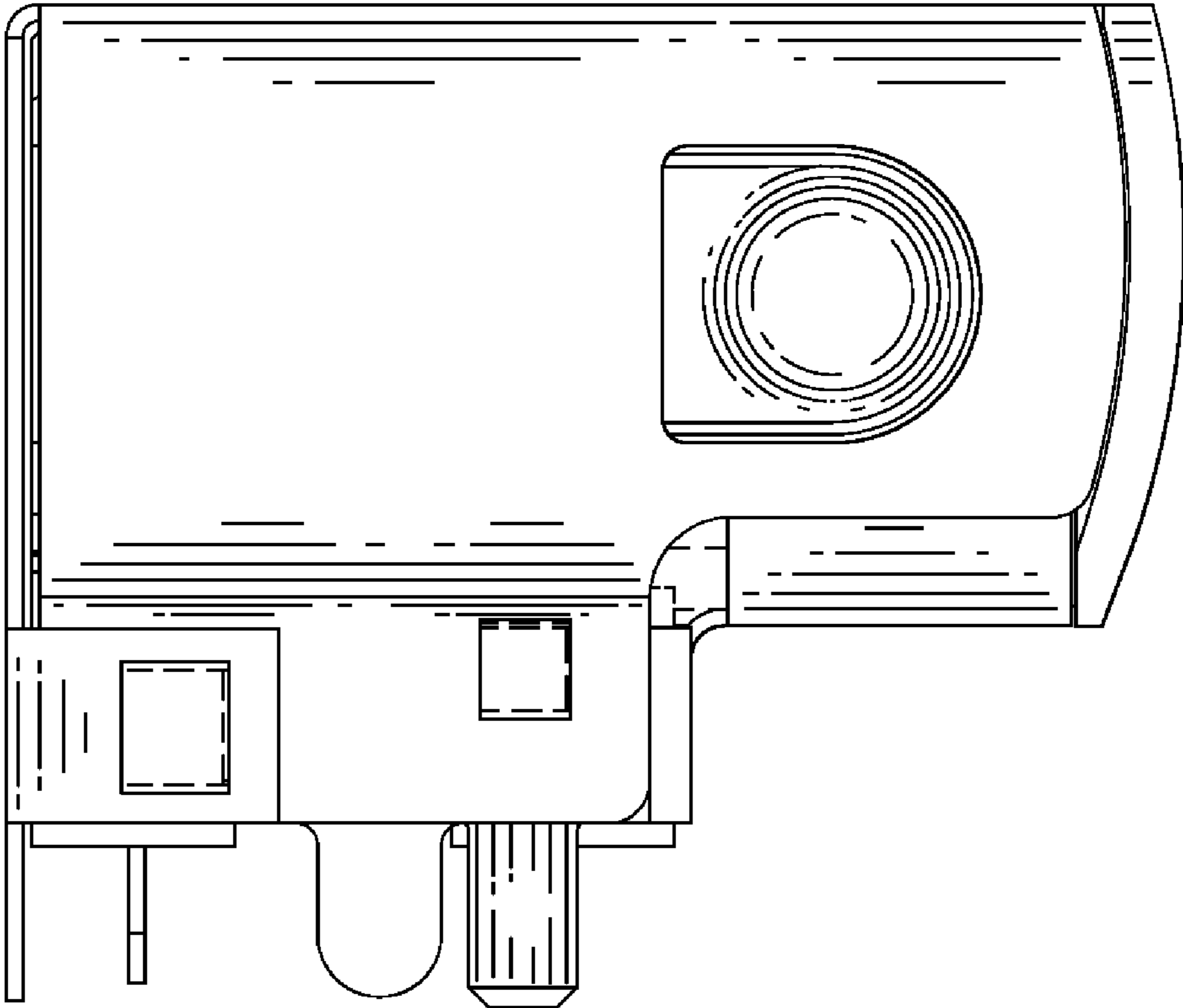


FIG. 4

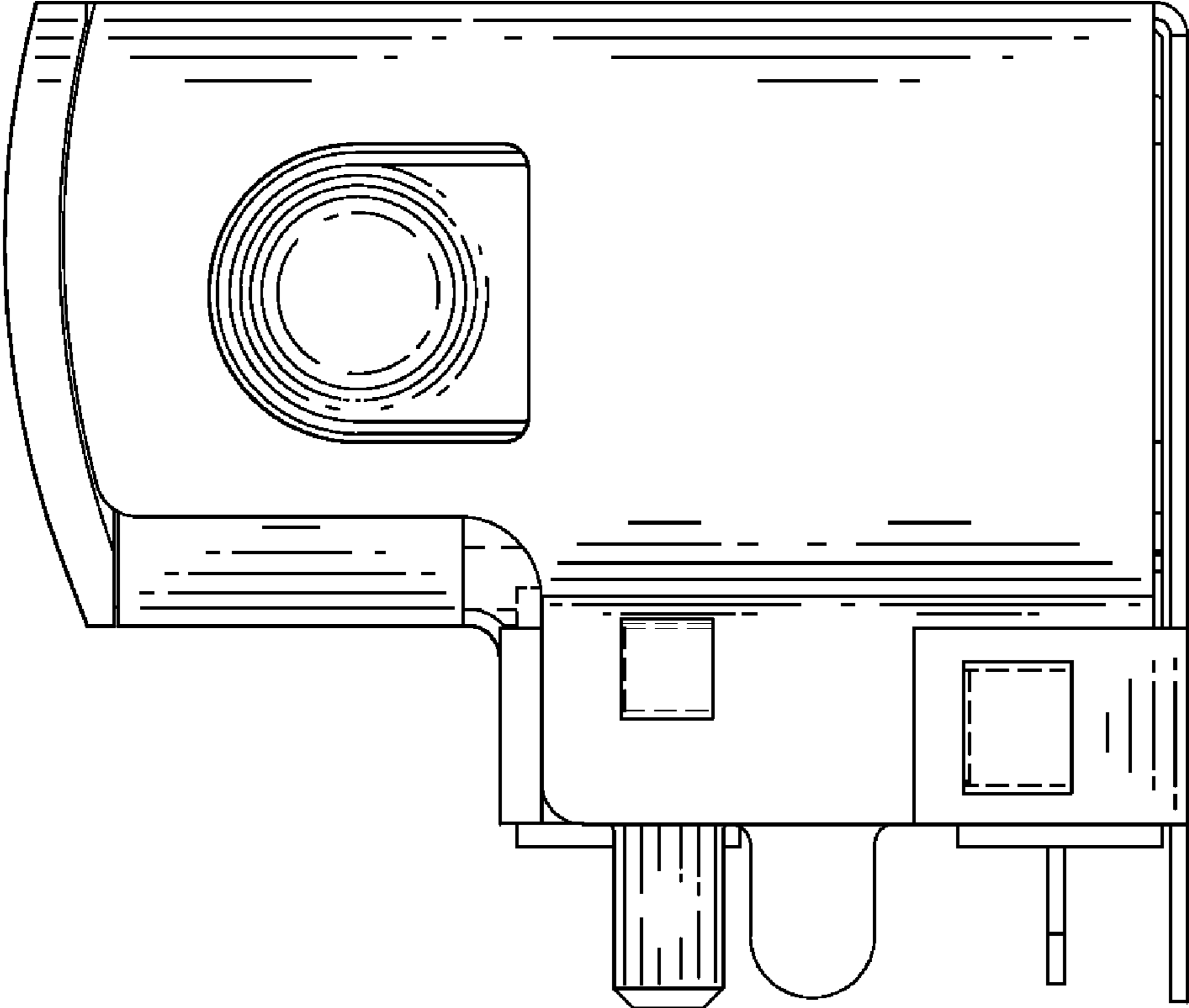


FIG. 5

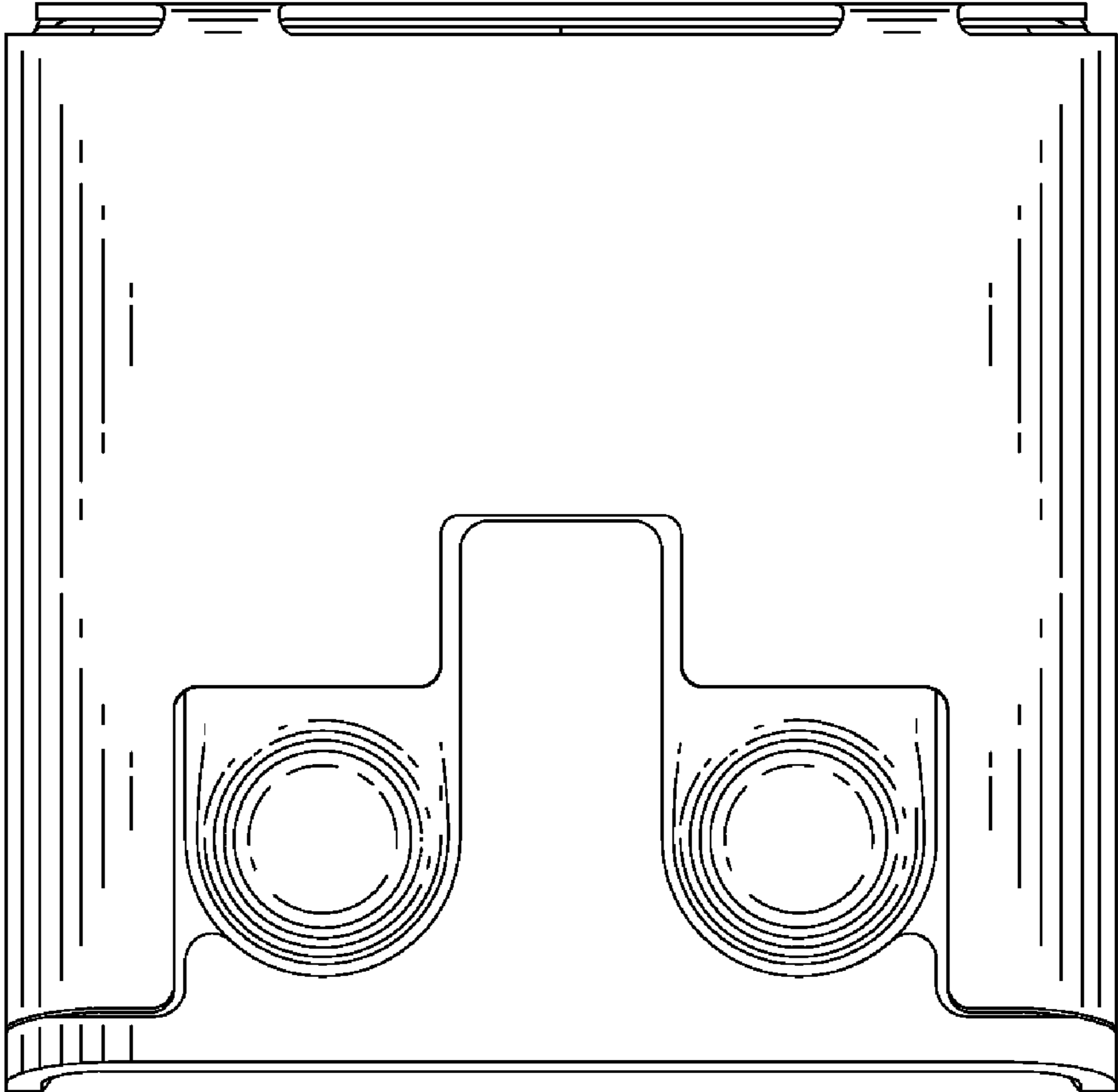


FIG. 6

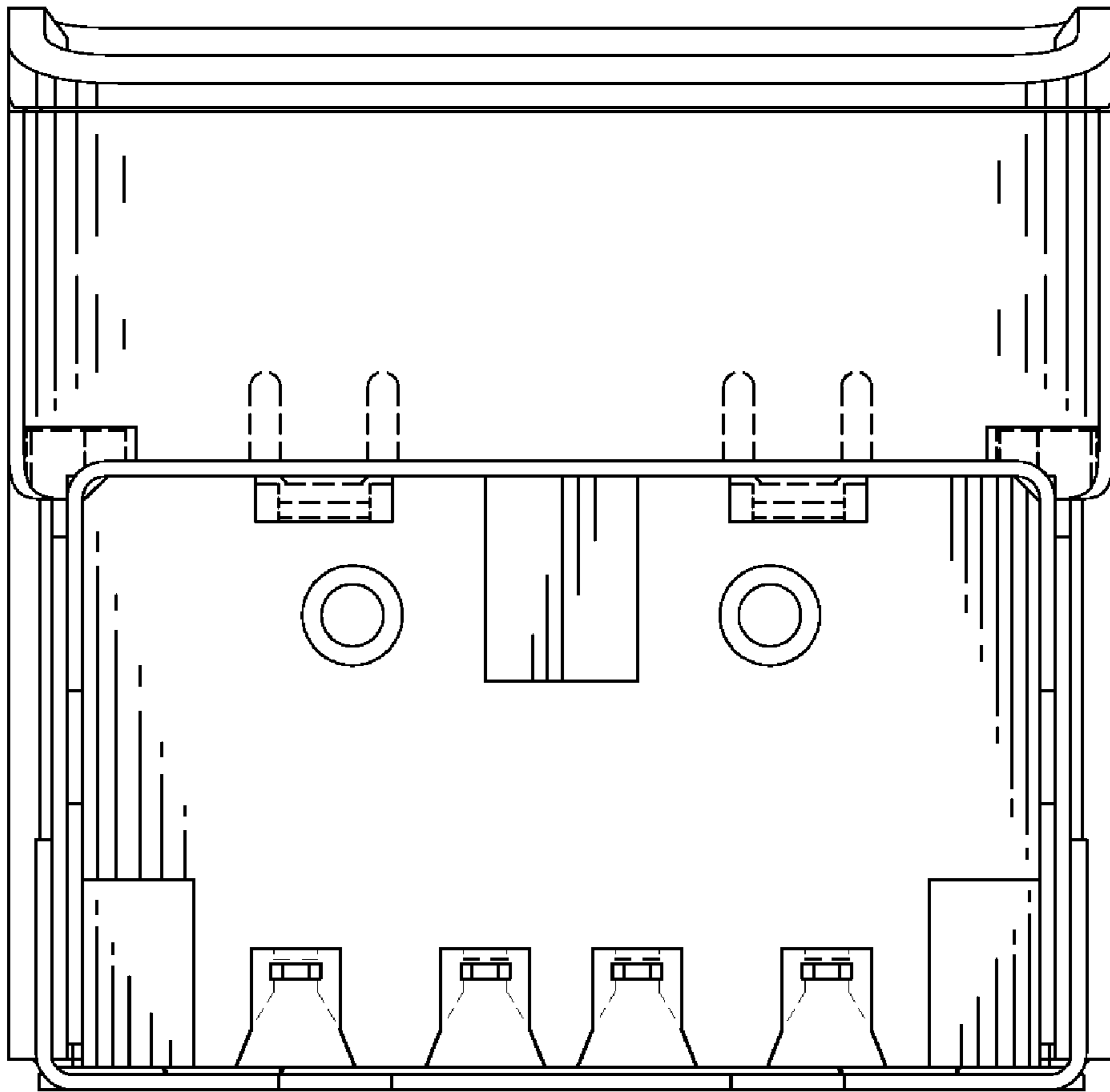


FIG. 7



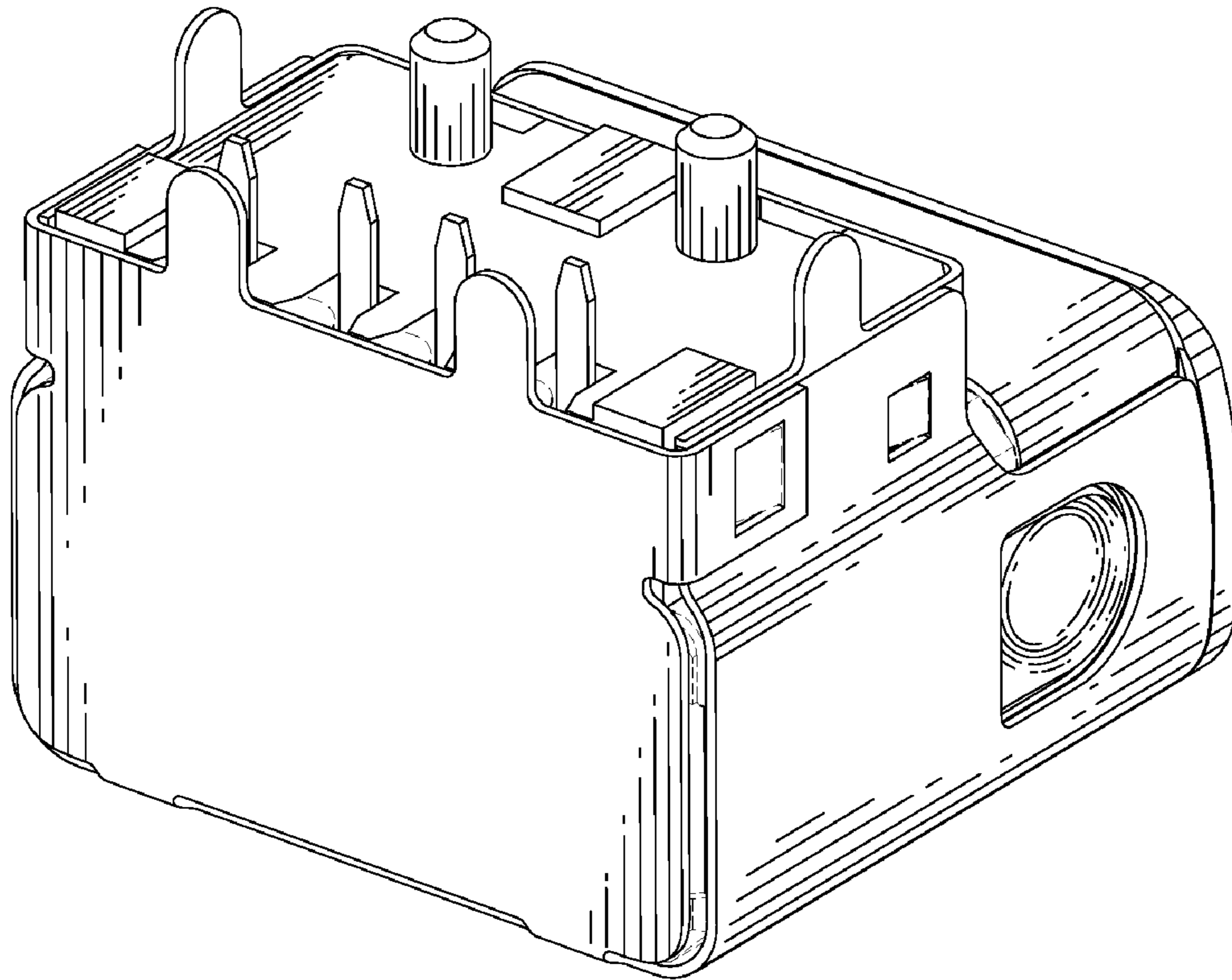


FIG. 8