



US00D626078S

(12) **United States Design Patent**
Kondo et al.

(10) **Patent No.:** **US D626,078 S**

(45) **Date of Patent:** **** *Oct. 26, 2010**

(54) **ELECTRICAL CONNECTOR**

(75) Inventors: **Hayato Kondo**, Yao (JP); **Toshiharu Miyoshi**, Yao (JP)

(73) Assignee: **Hosiden Corporation**, Yao-shi (JP)

(*) Notice: This patent is subject to a terminal disclaimer.

(**) Term: **14 Years**

(21) Appl. No.: **29/354,629**

(22) Filed: **Jan. 27, 2010**

(30) **Foreign Application Priority Data**

Nov. 24, 2009 (JP) 2009-027297

(51) **LOC (9) Cl.** **13-03**

(52) **U.S. Cl.** **D13/147**

(58) **Field of Classification Search** D13/147,
D13/154, 184; 439/79, 108, 378, 567, 607-610,
439/668, 680

See application file for complete search history.

(56) **References Cited**

U.S. PATENT DOCUMENTS

- D582,347 S * 12/2008 Fujimoto et al. D13/147
- D584,691 S * 1/2009 Koyama et al. D13/147
- D587,207 S * 2/2009 Fujimoto et al. D13/147
- D589,448 S * 3/2009 Koyama D13/147
- D607,823 S * 1/2010 Koyama et al. D13/147

* cited by examiner

Primary Examiner—Daniel D Bui

(74) *Attorney, Agent, or Firm*—Kratz, Quintos & Hanson, LLP

(57) **CLAIM**

The ornamental design for an electrical connector, as shown and described.

DESCRIPTION

FIG. 1 is a front elevational view of the electrical connector of the present invention;

FIG. 2 is a back elevational view thereof;

FIG. 3 is a top plan view thereof;

FIG. 4 is a bottom plan view thereof;

FIG. 5 is a right side elevational view thereof;

FIG. 6 is a left side elevational view thereof;

FIG. 7 is a cross-sectional view taken along lines 7—7 of FIG. 1;

FIG. 8 is a cross-sectional view taken along lines 8—8 of FIG. 1;

FIG. 9 is a cross-sectional view taken along lines 9—9 of FIG. 1;

FIG. 10 is a cross-sectional view taken along lines 10—10 of FIG. 1;

FIG. 11 is a top, front, and right side perspective view thereof;

FIG. 12 is a bottom, front, and right side perspective view thereof; and,

FIG. 13 is a bottom, back, and right side perspective view thereof.

1 Claim, 13 Drawing Sheets

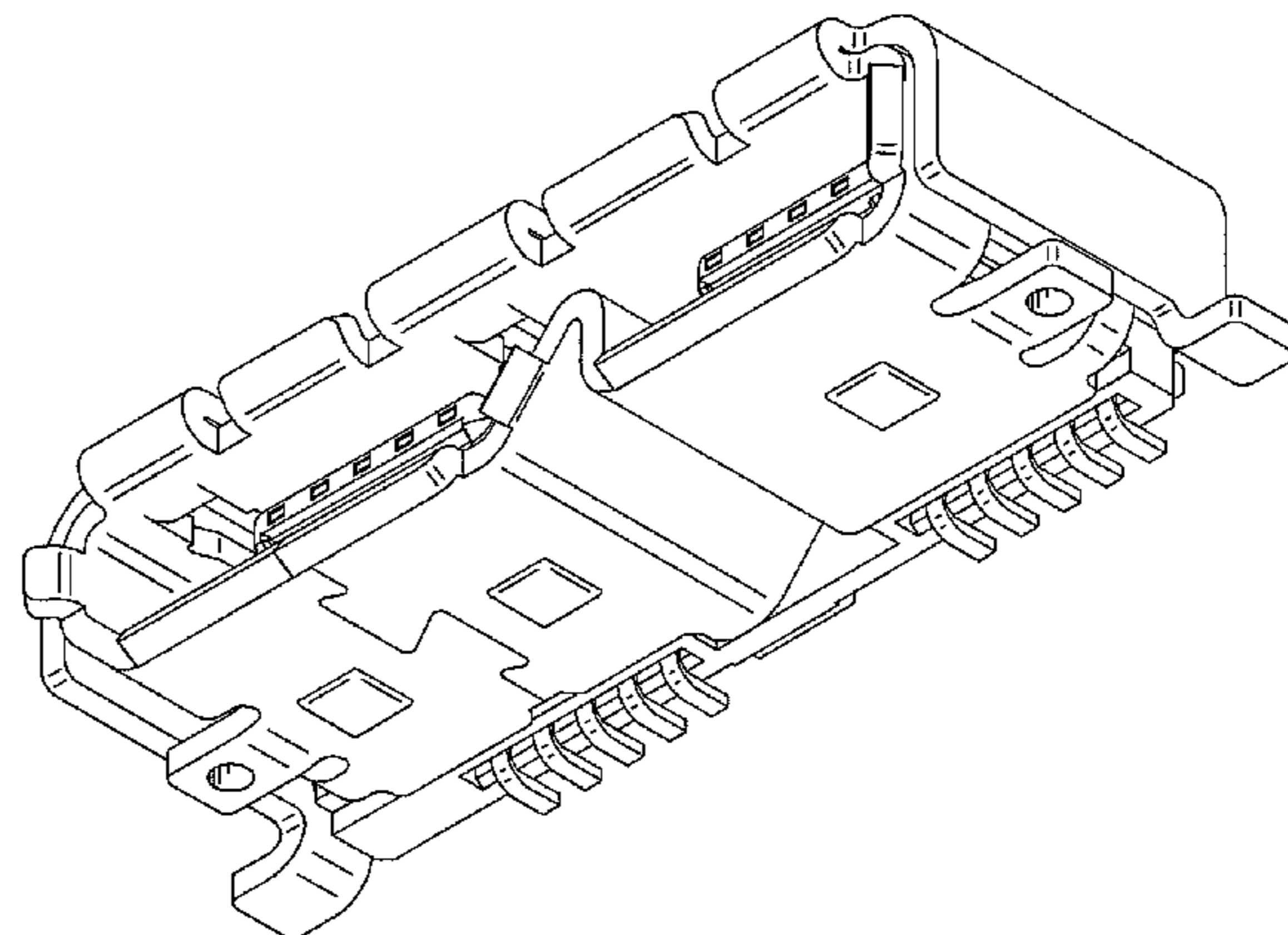
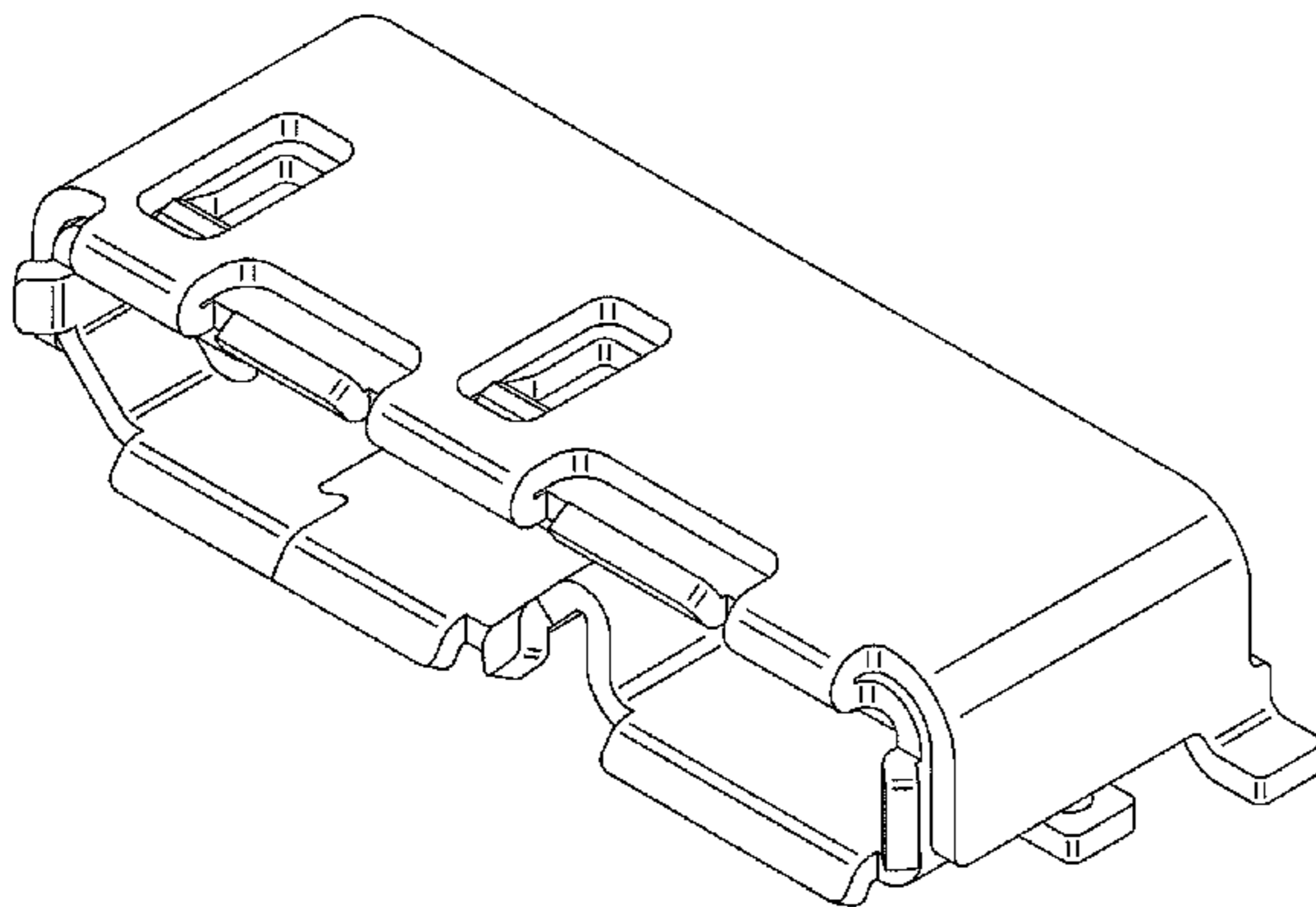


FIG. 1

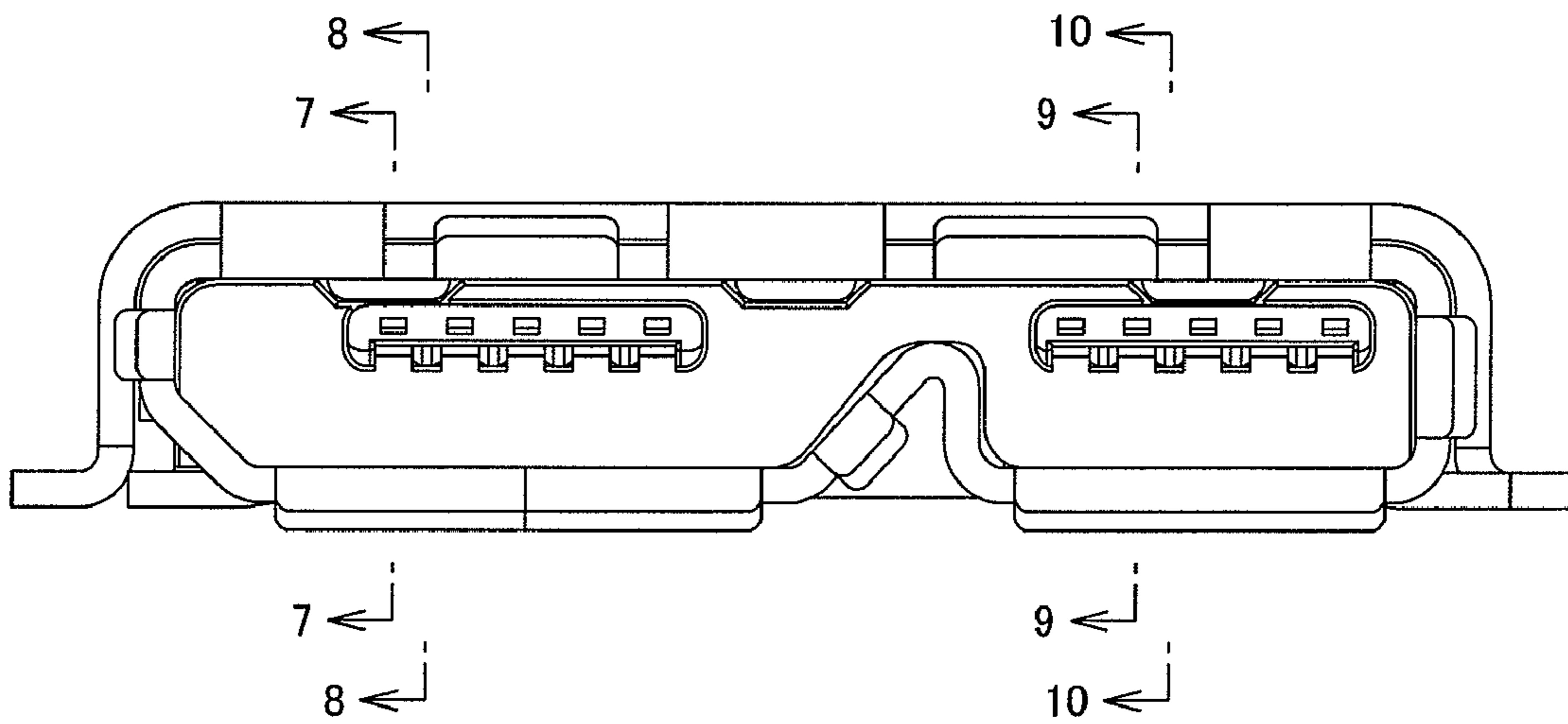


FIG. 2

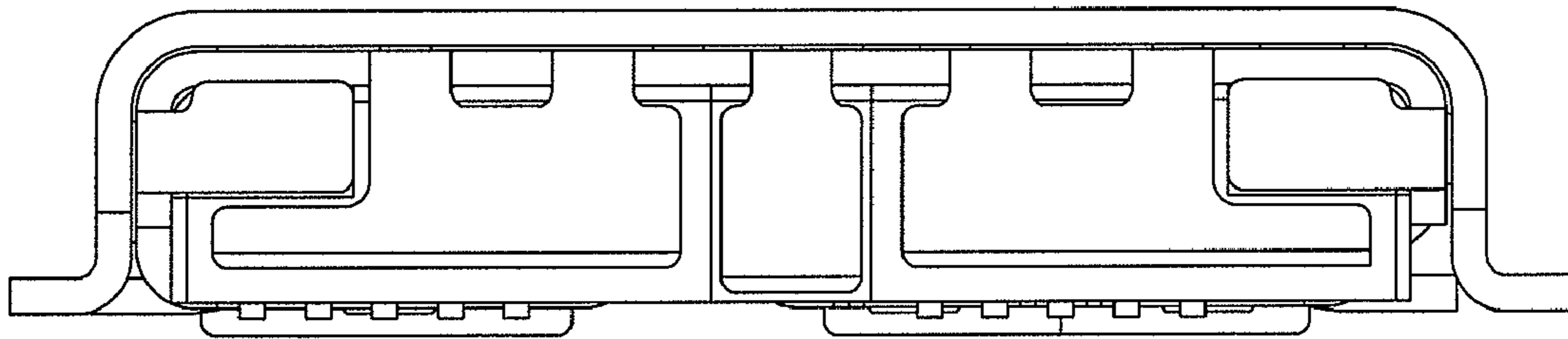


FIG. 3

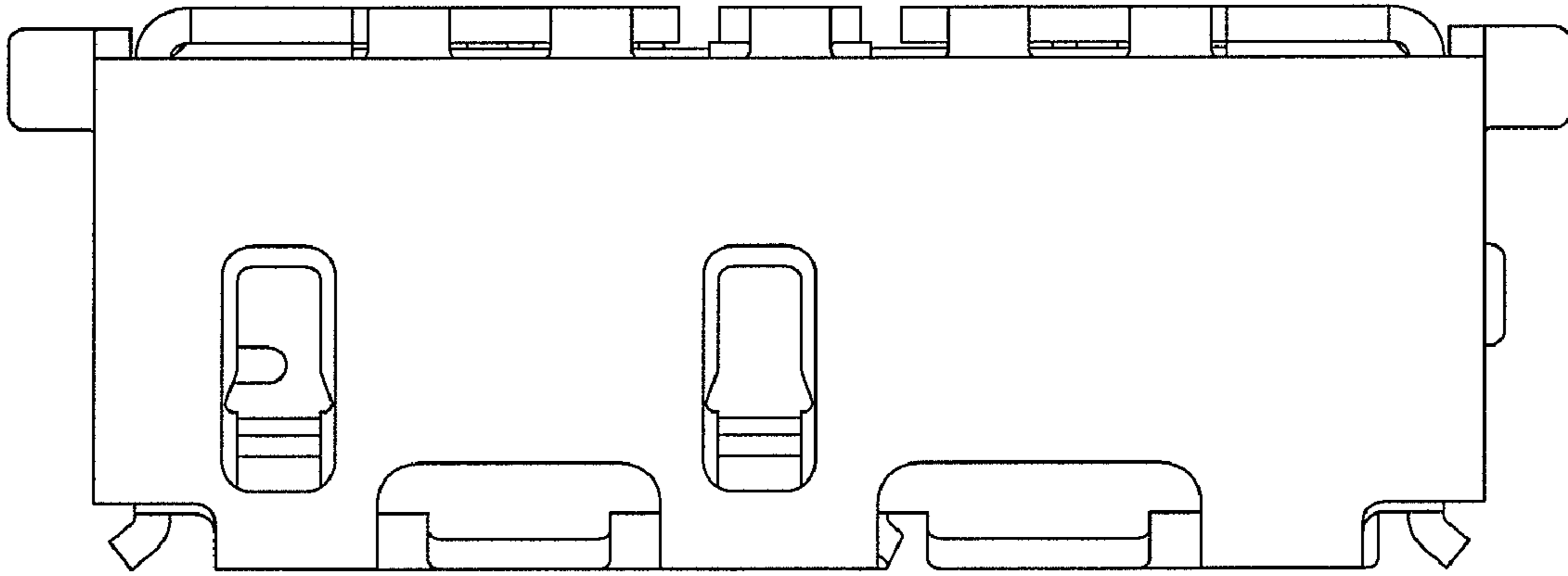


FIG. 4

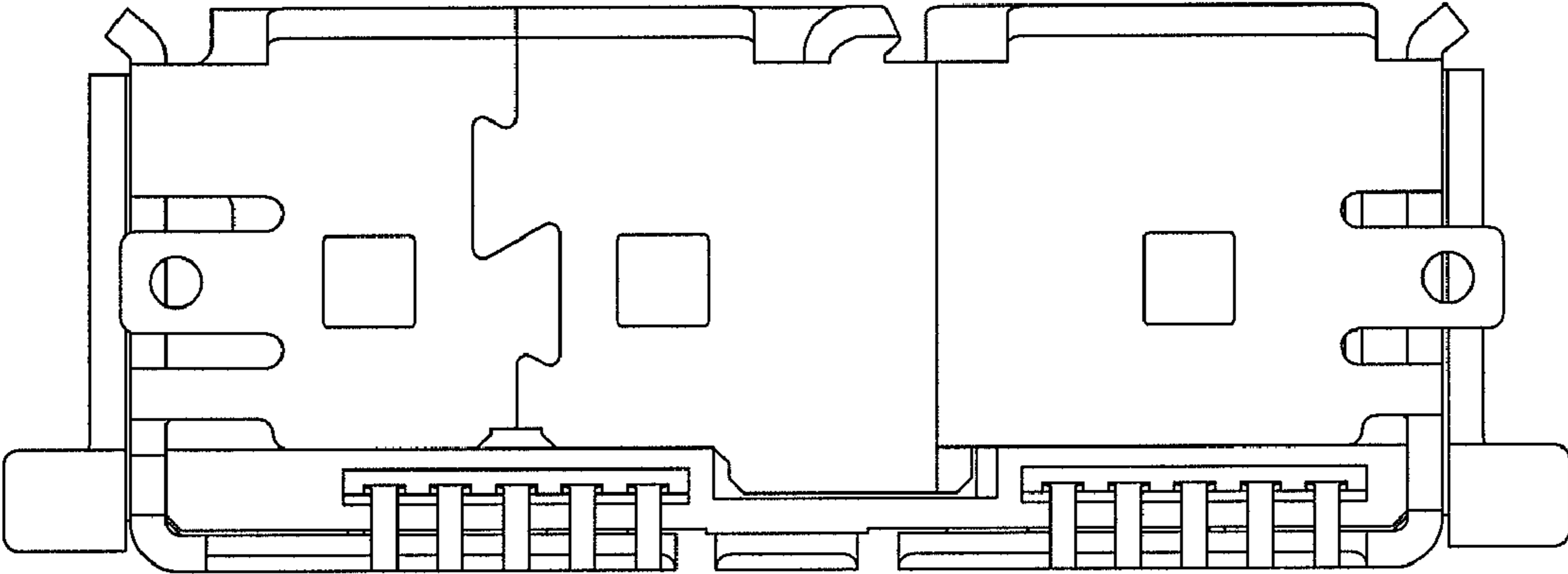


FIG. 5

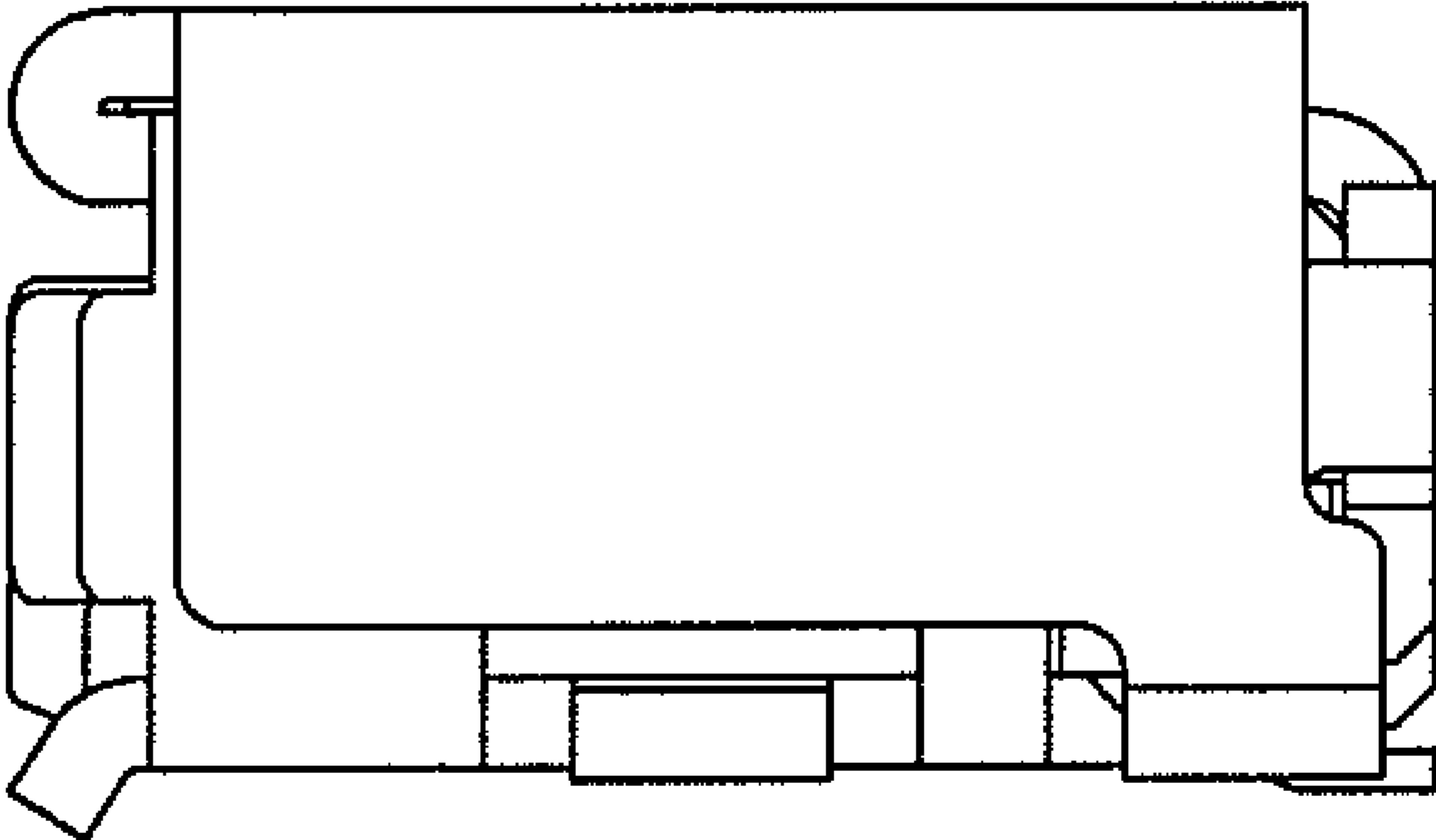


FIG. 6

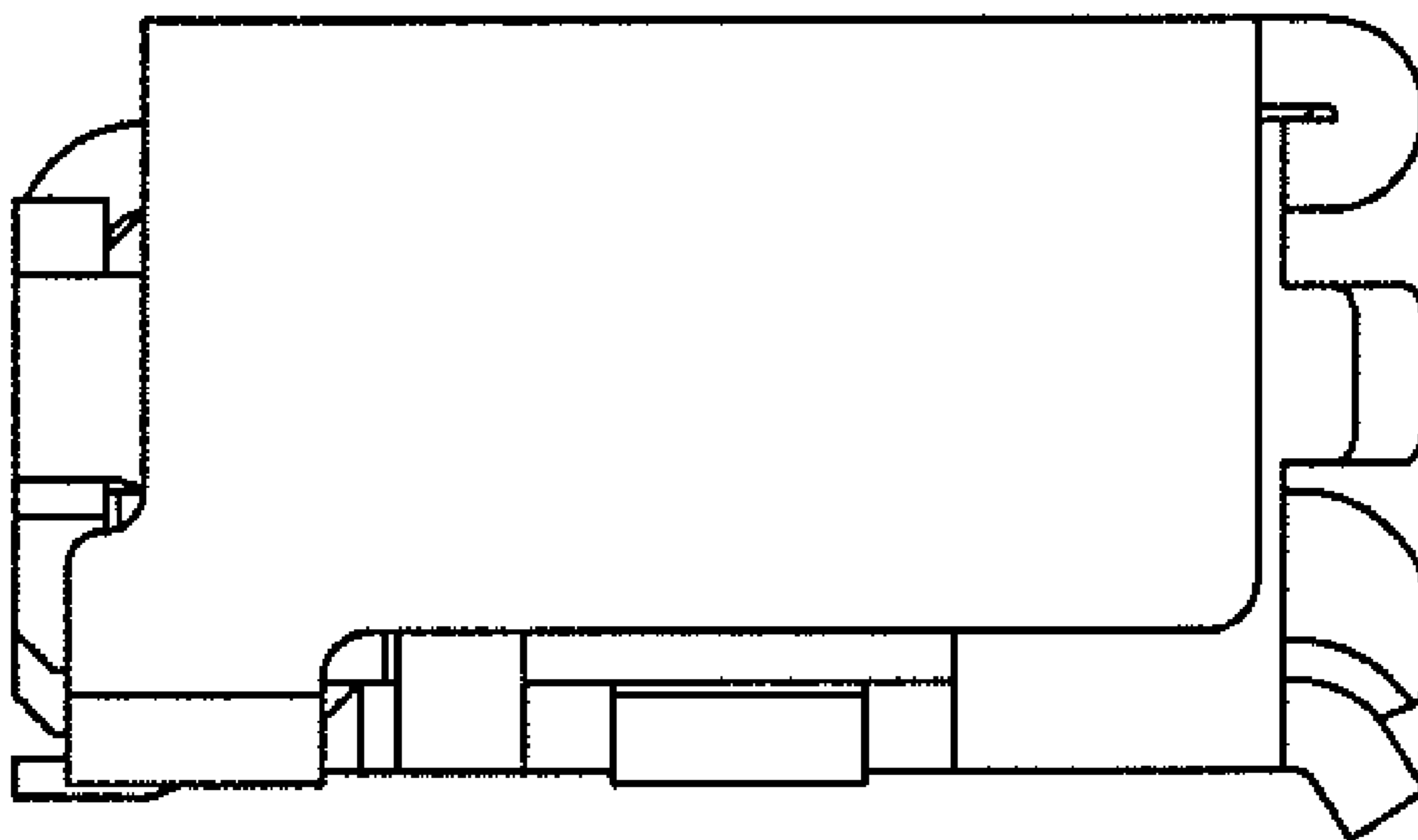


FIG. 7

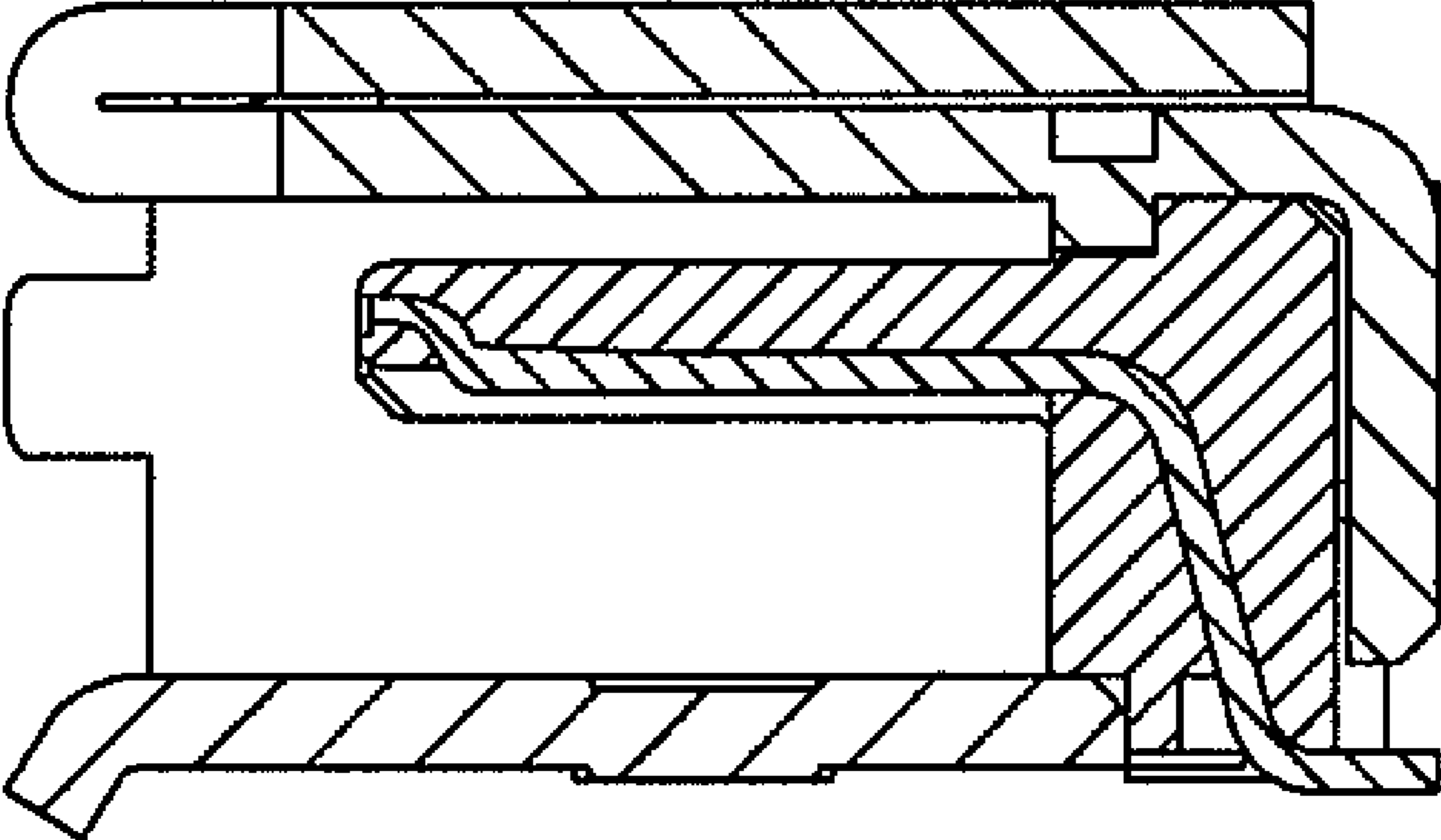


FIG. 8

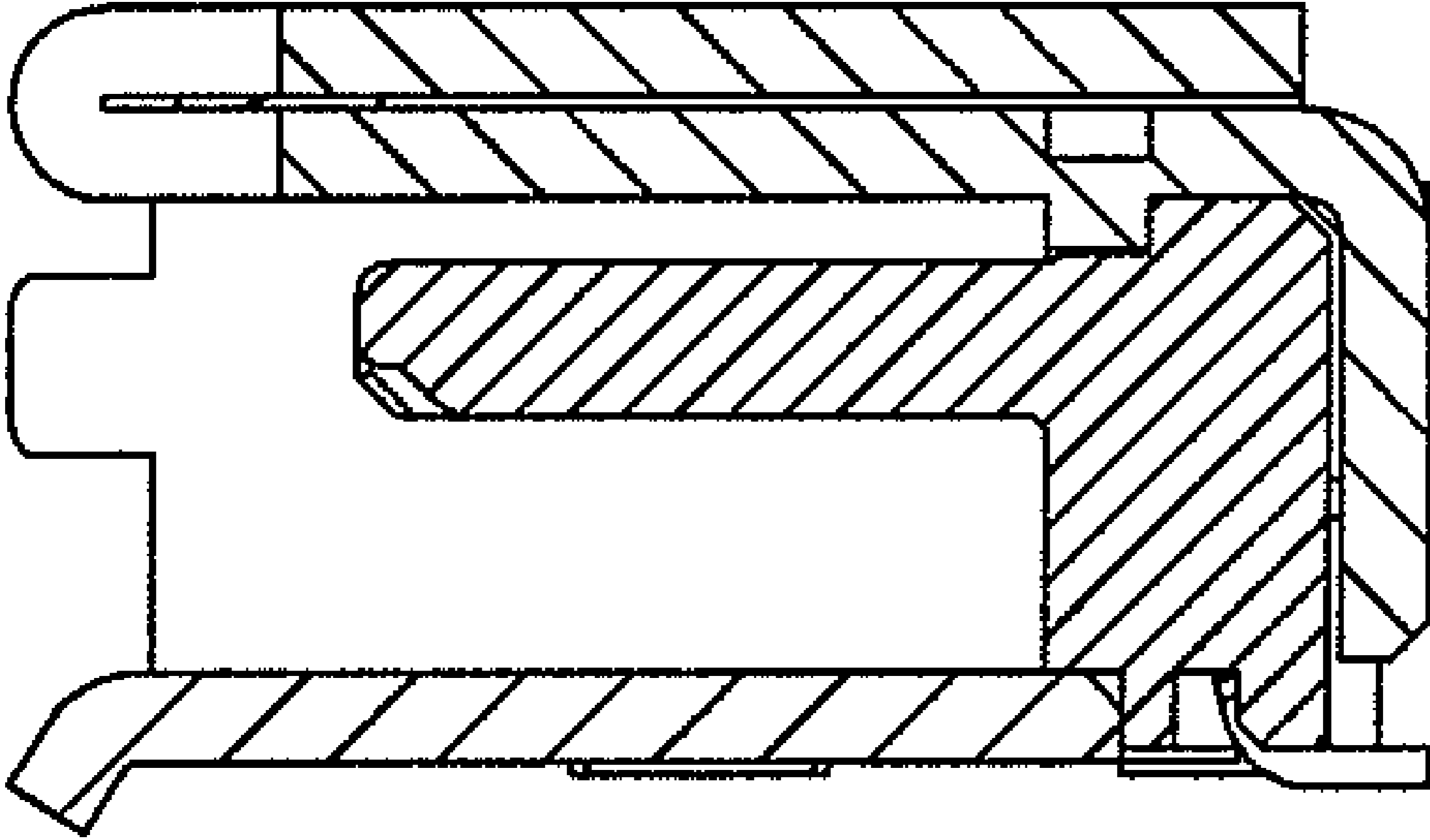


FIG. 9

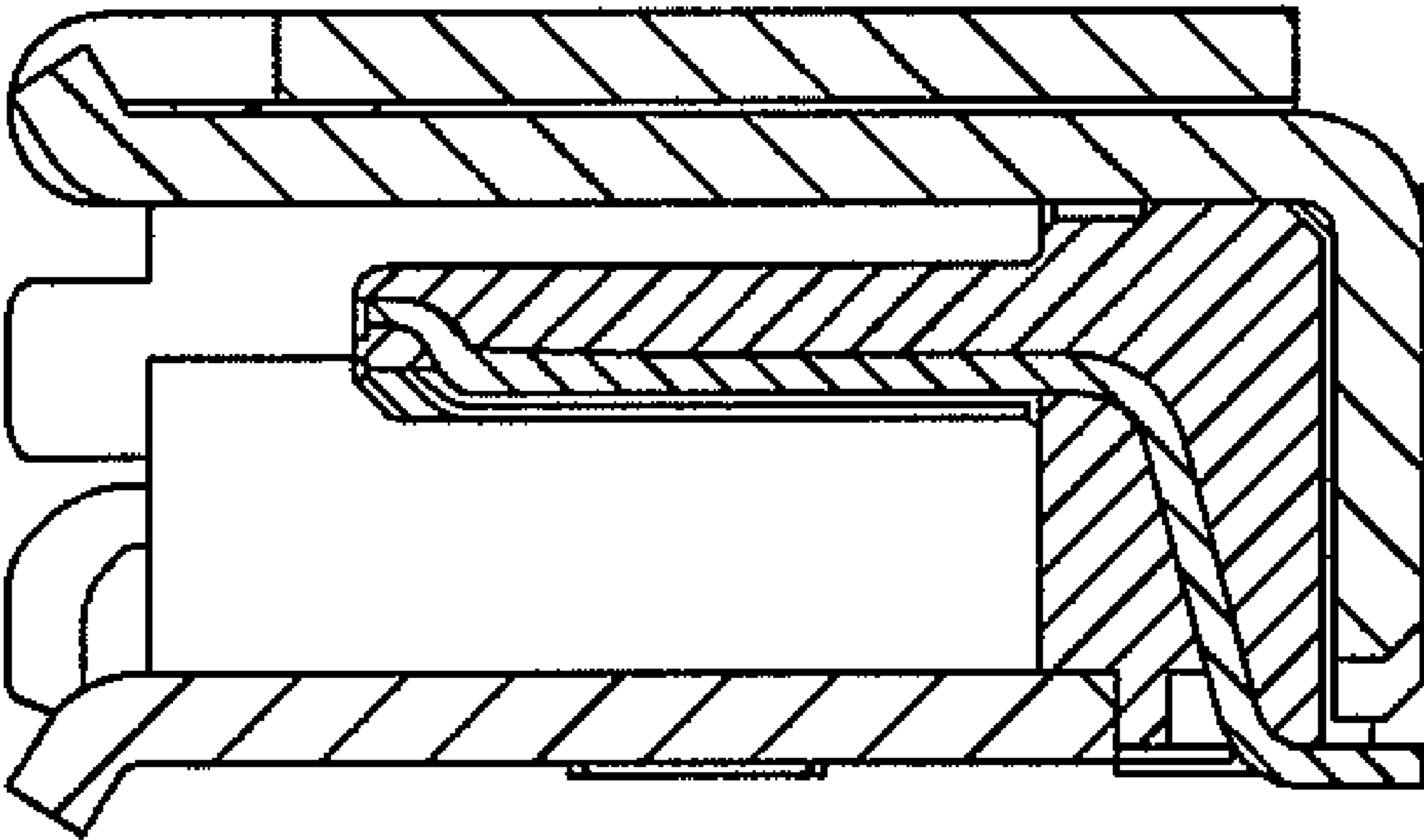


FIG. 10

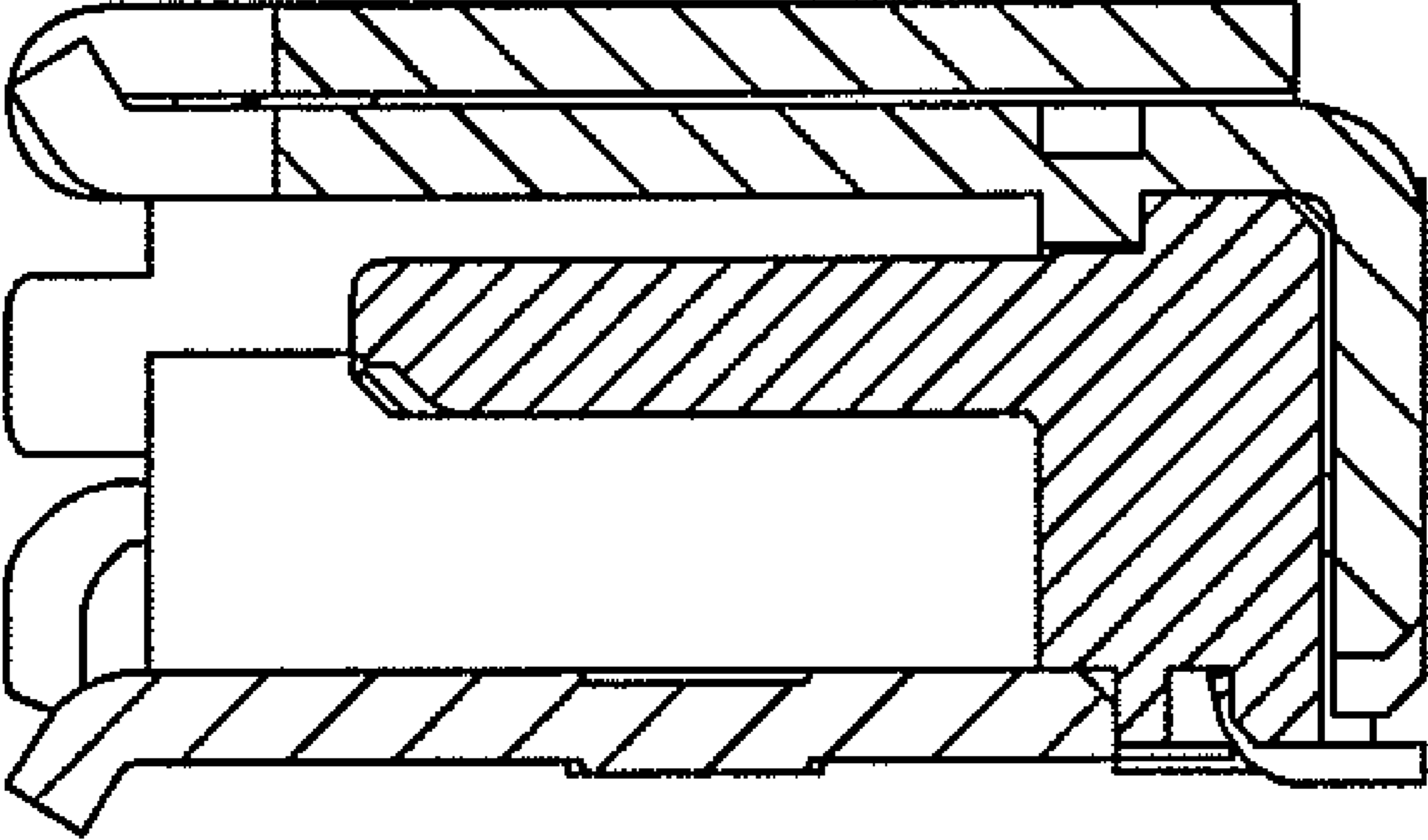


FIG. 11

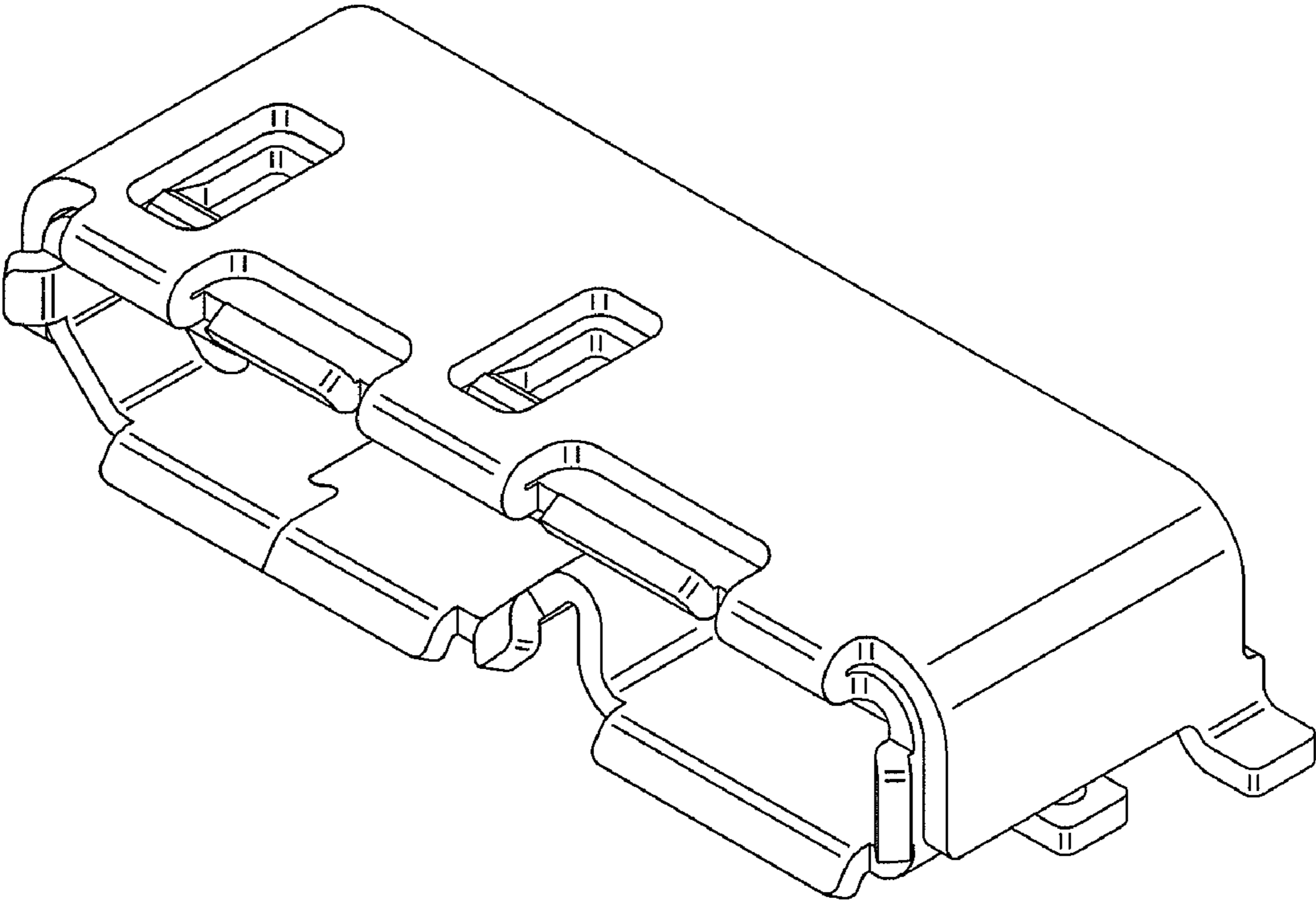


FIG. 12

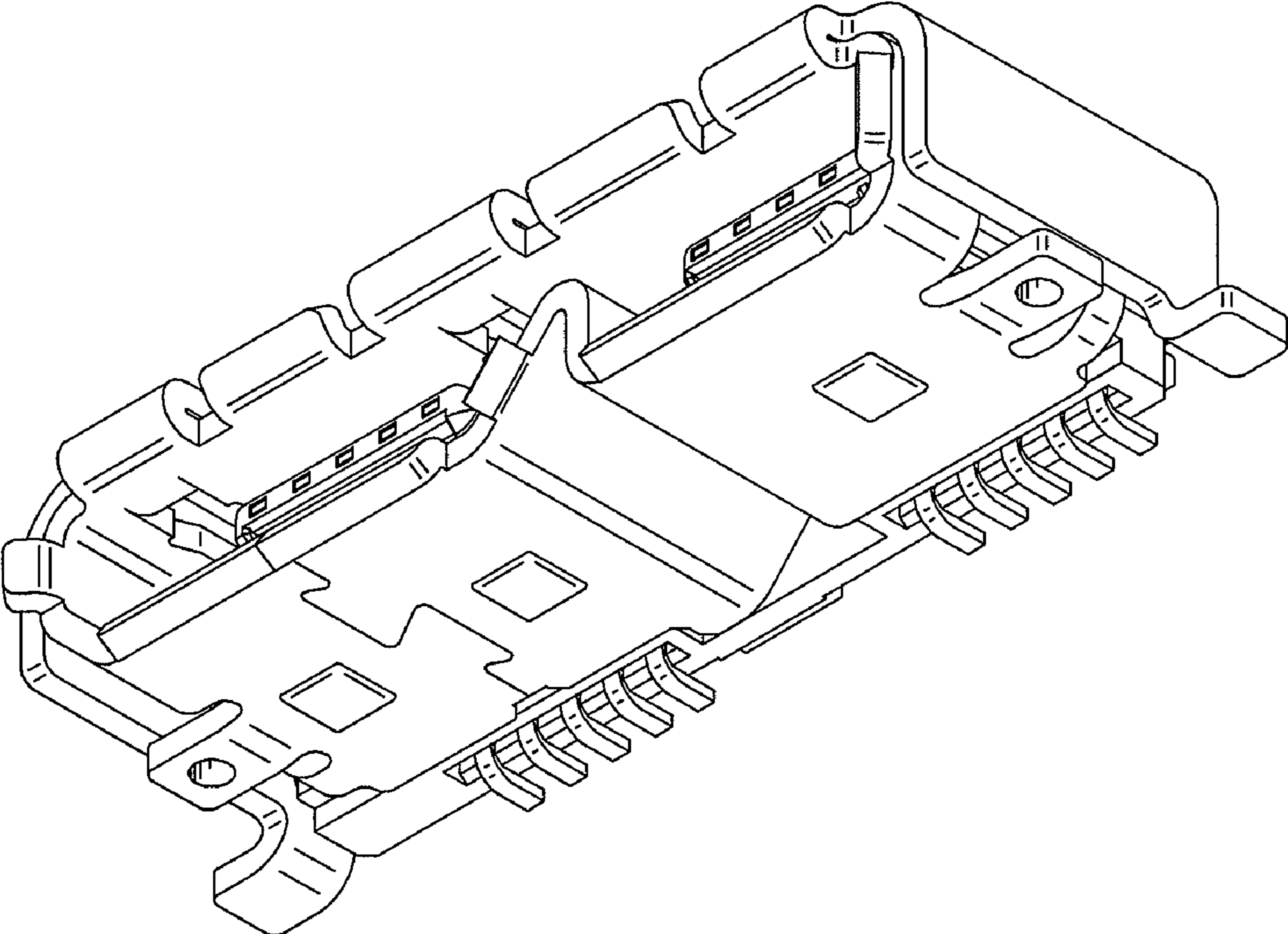


FIG. 13

