



US00D626077S

(12) **United States Design Patent**
Huang

(10) **Patent No.:** **US D626,077 S**
(45) **Date of Patent:** **** Oct. 26, 2010**

(54) **COAXIAL PLUG CONNECTOR**

(75) Inventor: **Sheng-Yuan Huang**, Taipei (TW)

(73) Assignee: **Cheng Uei Precision Industry Co., Ltd.**, Taipei (TW)

(**) Term: **14 Years**

(21) Appl. No.: **29/351,703**

(22) Filed: **Dec. 9, 2009**

(51) **LOC (9) Cl.** **13-03**

(52) **U.S. Cl.** **D13/147**

(58) **Field of Classification Search** D13/133,
D13/146-147, 154, 156, 184; 439/79, 108,
439/607.01, 607.04, 607.05, 607.17, 607.25,
439/607.34, 607.41, 607.53, 680, 682, 686
See application file for complete search history.

(56) **References Cited**

U.S. PATENT DOCUMENTS

- D474,154 S * 5/2003 Lai D13/147
- D583,765 S * 12/2008 Chiang D13/147
- D598,862 S * 8/2009 Chen D13/147

D602,439 S * 10/2009 Yu et al. D13/147

* cited by examiner

Primary Examiner—Daniel D Bui

(57) **CLAIM**

The ornamental design for a coaxial plug connector, as shown and described.

DESCRIPTION

FIG. 1 is a perspective view of a coaxial plug connector showing my new design;

FIG. 2 is a front elevational view thereof;

FIG. 3 is a rear elevational view thereof;

FIG. 4 is a left side elevational view thereof;

FIG. 5 is a right side elevational view thereof;

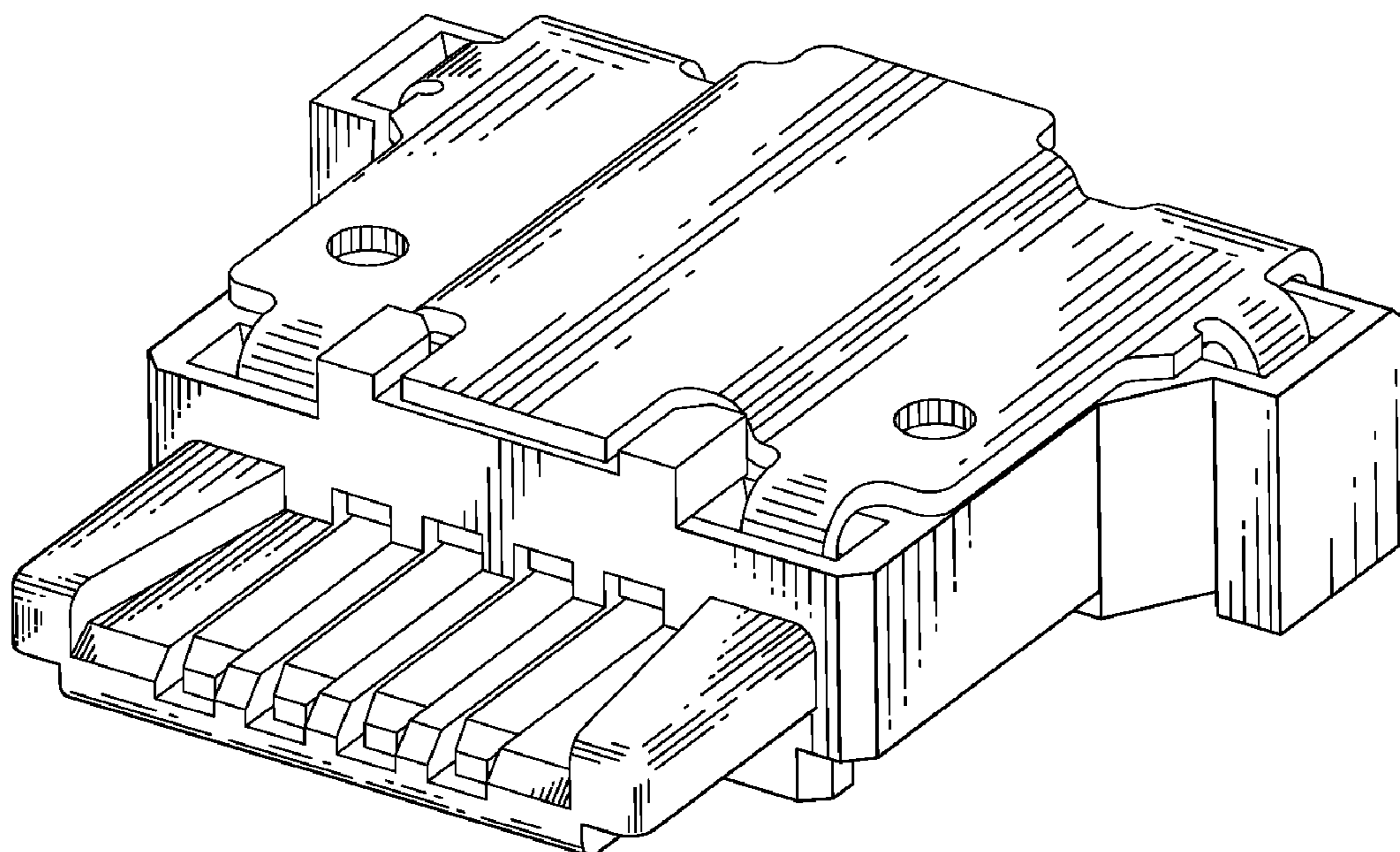
FIG. 6 is a top plan view thereof;

FIG. 7 is a bottom plan view thereof; and,

FIG. 8 is another perspective view of a coaxial plug connector showing my new design.

The broken line shown in the drawings is included for the purpose of illustrating environmental structure and forms no part of the claimed design.

1 Claim, 8 Drawing Sheets



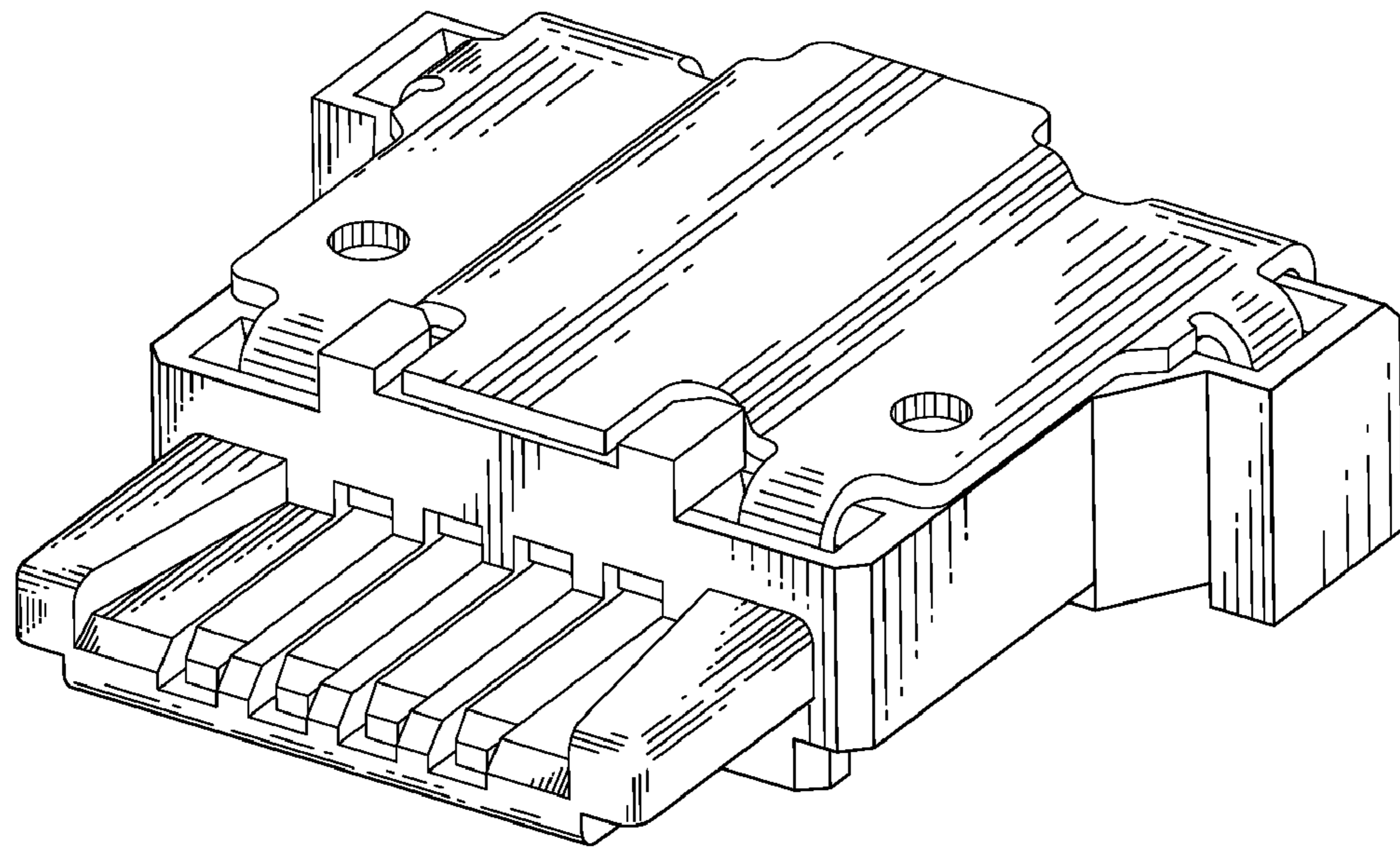


FIG. 1

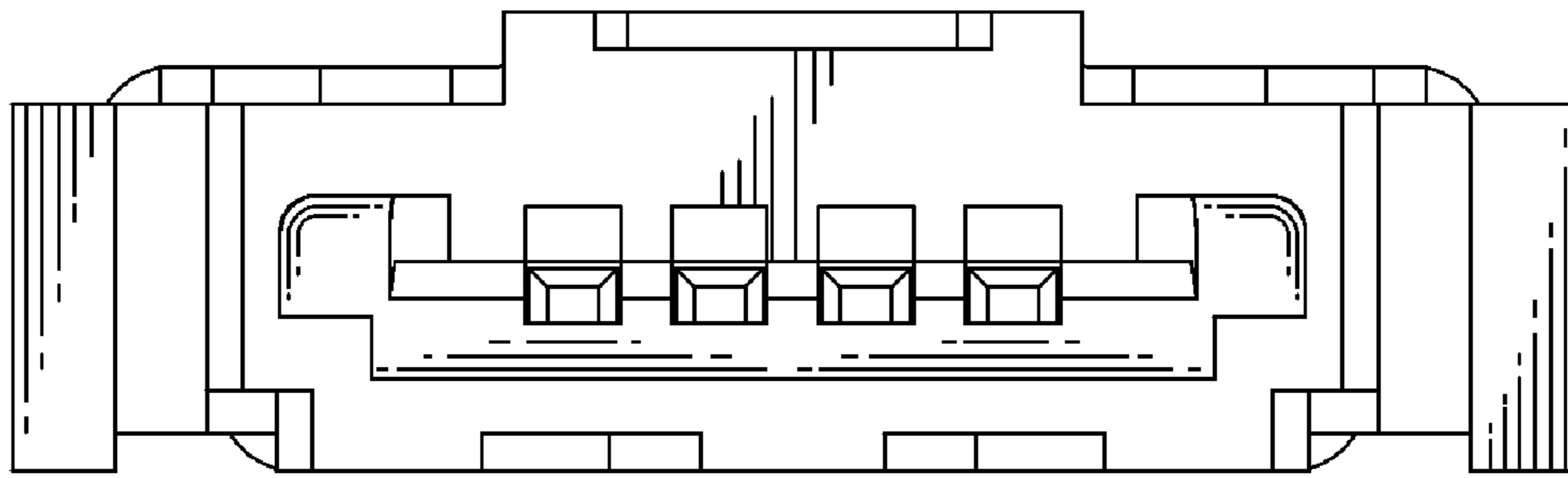


FIG. 2

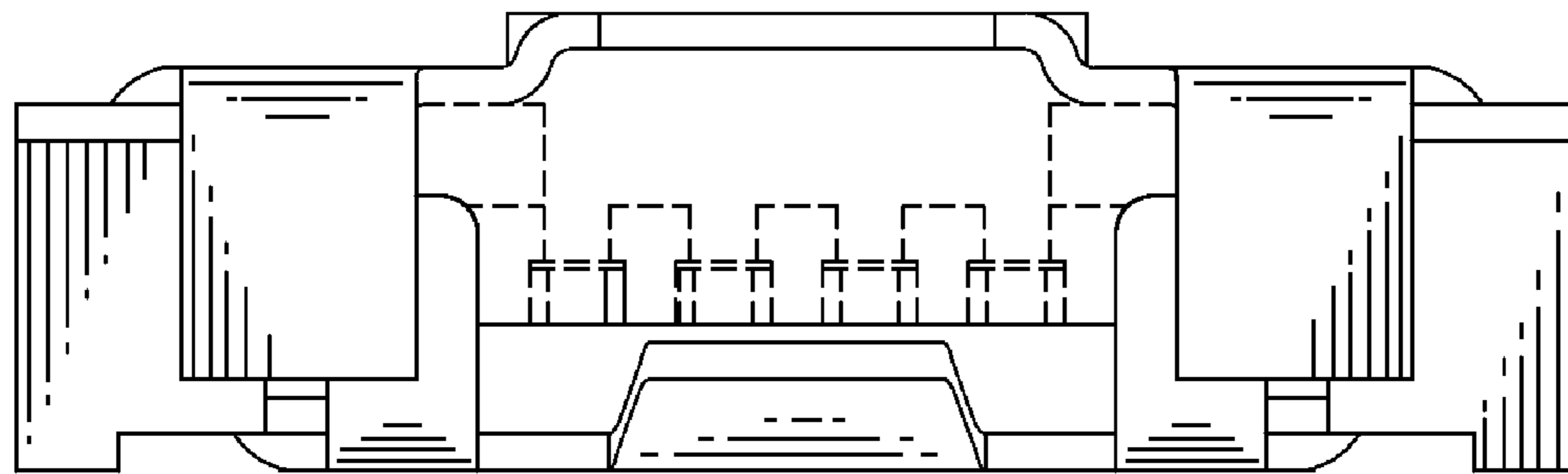


FIG. 3

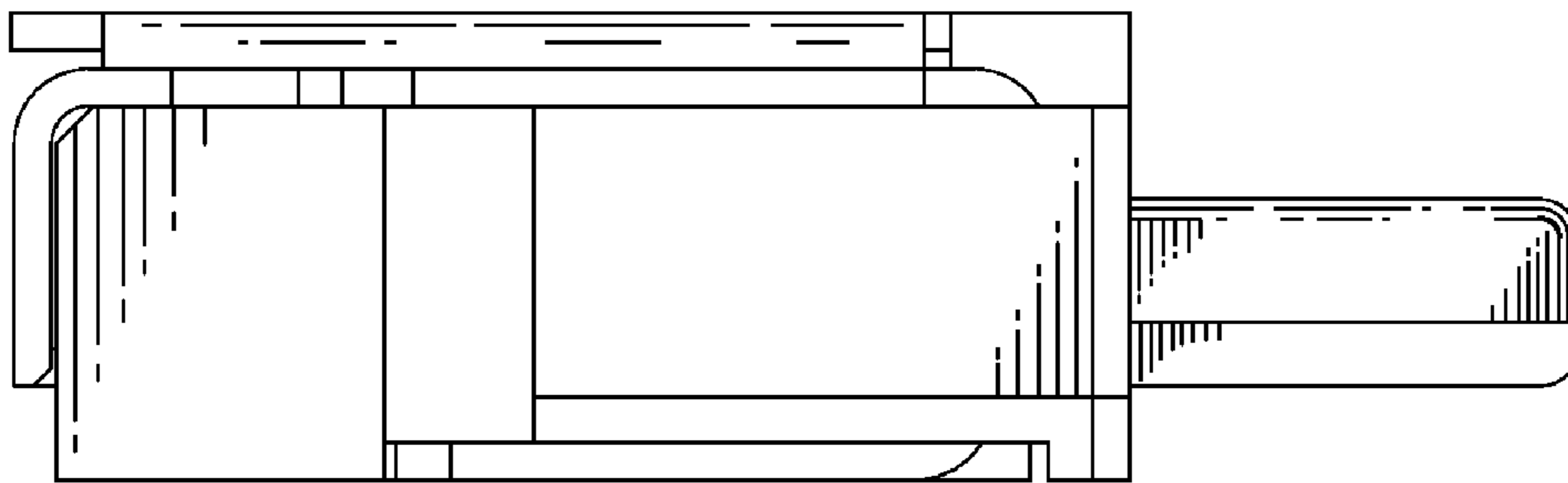


FIG. 4

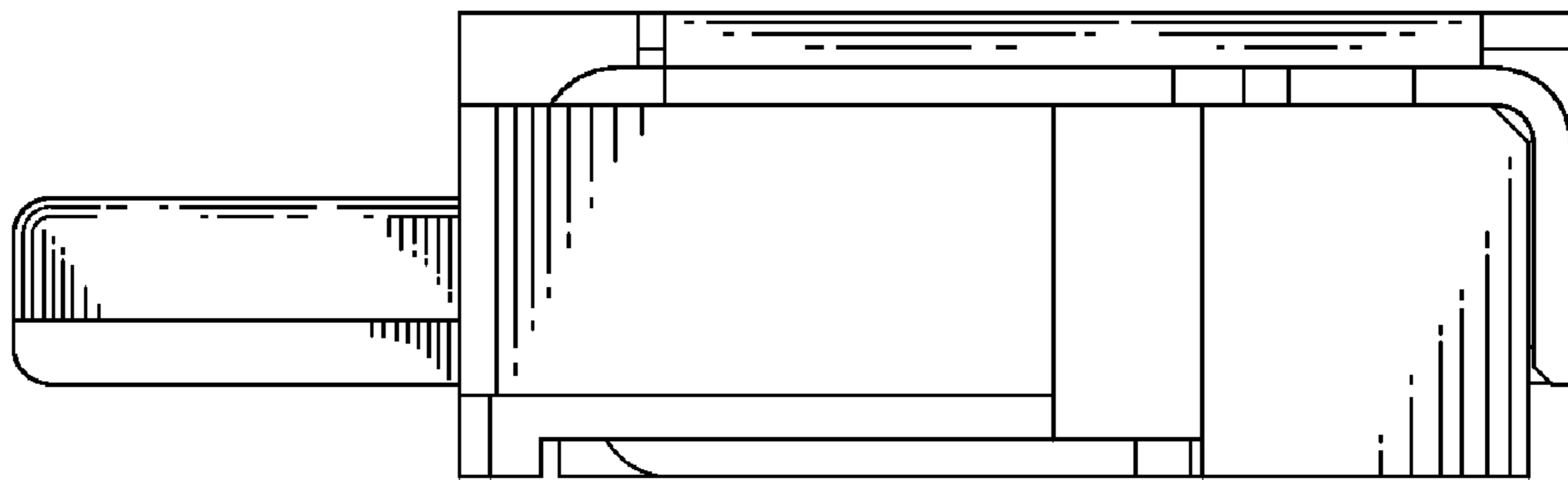


FIG. 5

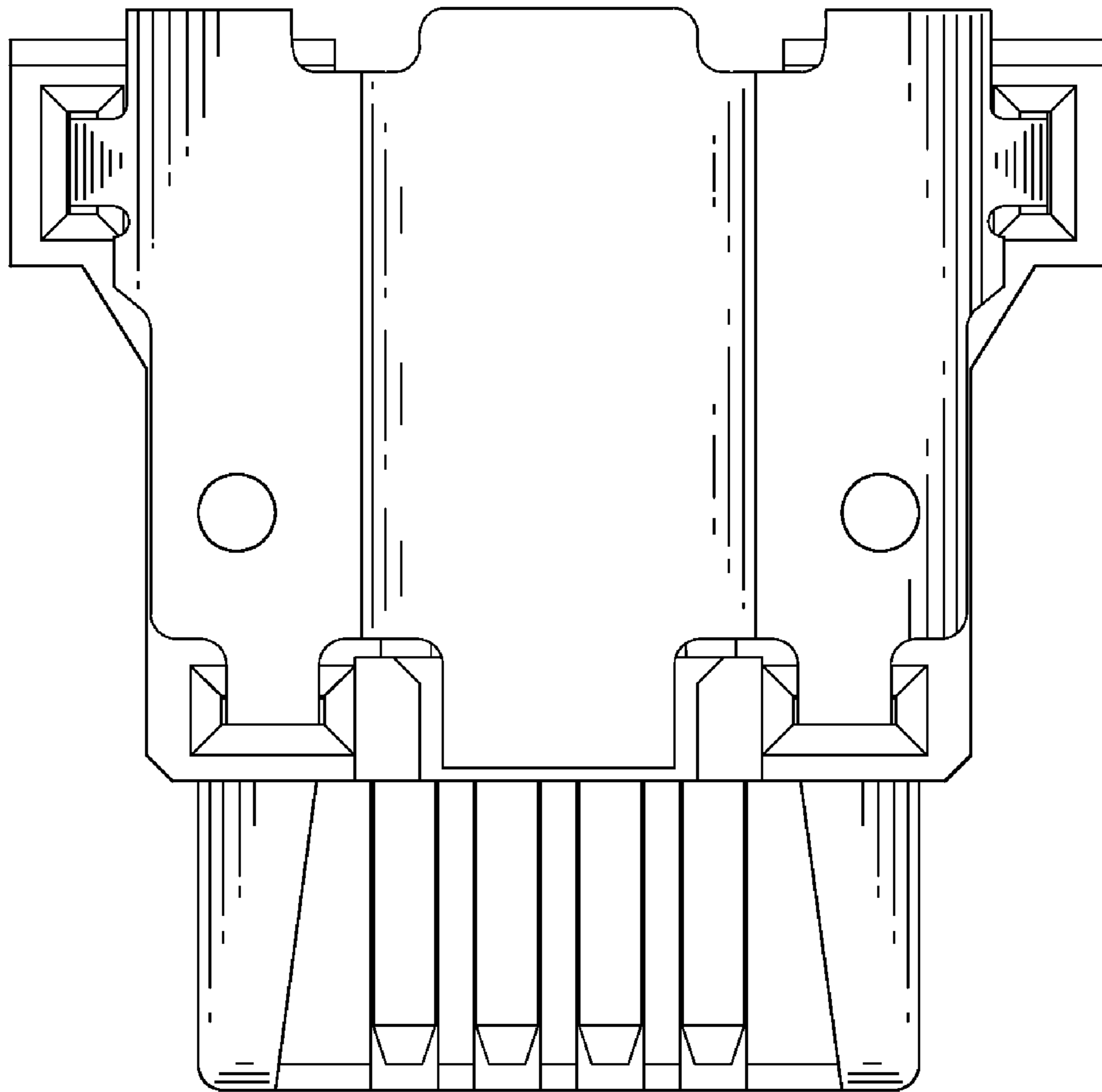


FIG. 6

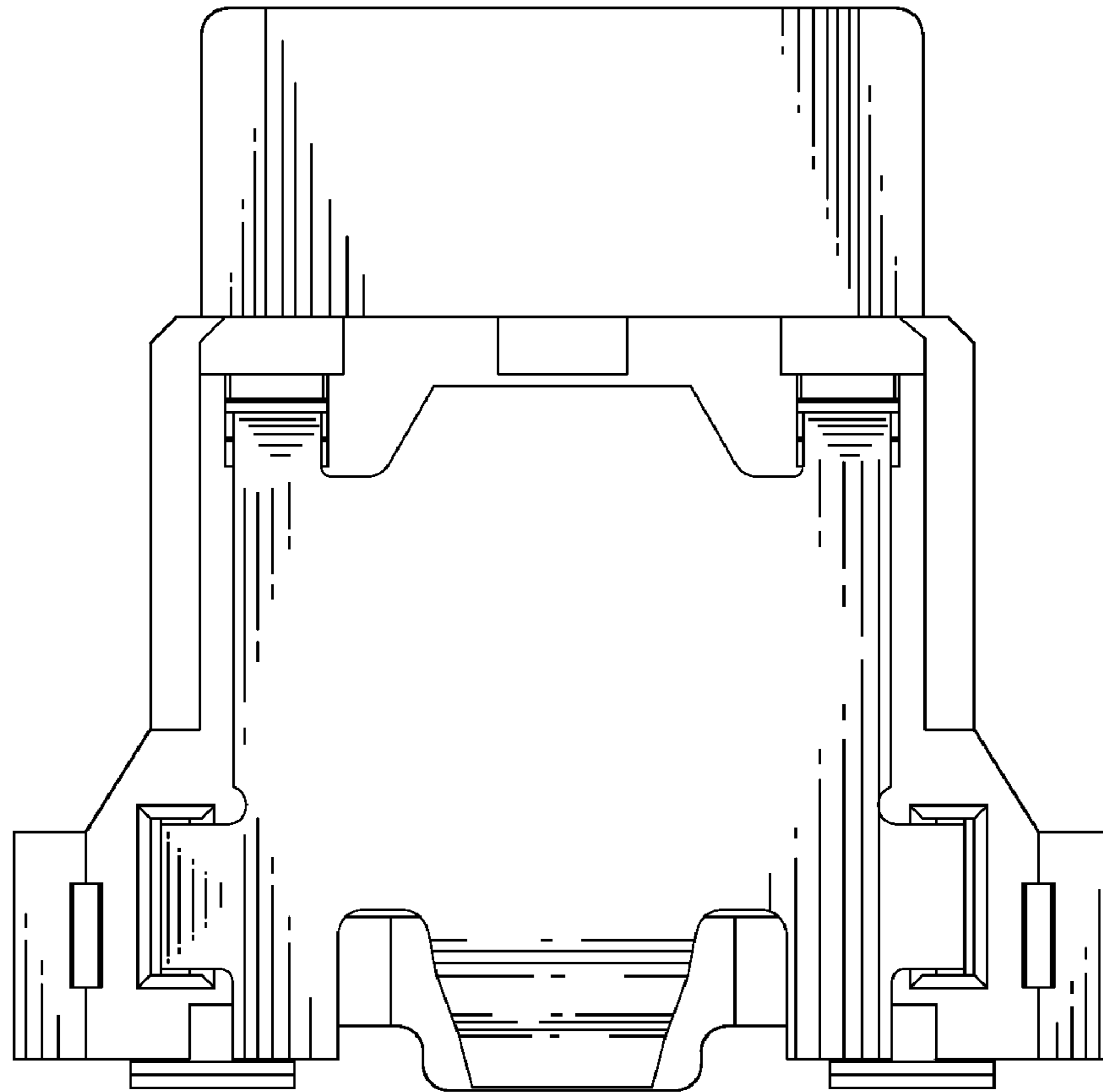


FIG. 7

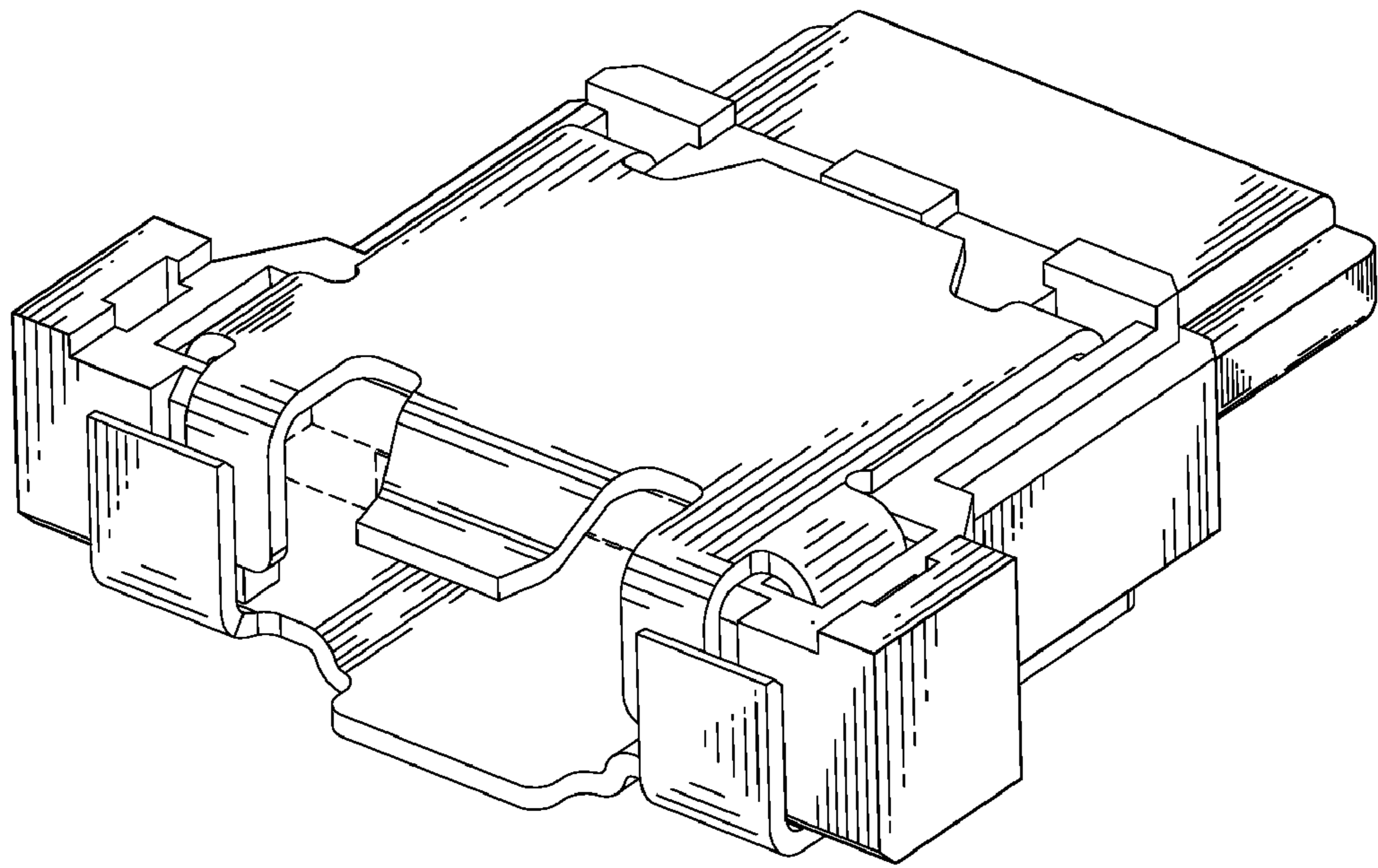


FIG. 8