



US00D626076S

(12) **United States Design Patent**  
**Kondo et al.**

(10) **Patent No.:** **US D626,076 S**  
(45) **Date of Patent:** **\*\* Oct. 26, 2010**

(54) **ELECTRIC CONNECTOR**

(75) Inventors: **Hayato Kondo**, Yao (JP); **Yutaka Masumoto**, Yao (JP); **Toshiharu Miyoshi**, Yao (JP)

(73) Assignee: **Hosiden Corporation**, Osaka (JP)

(\*\*) Term: **14 Years**

(21) Appl. No.: **29/342,132**

(22) Filed: **Aug. 19, 2009**

(30) **Foreign Application Priority Data**

Feb. 27, 2009 (JP) ..... 2009-004288

(51) **LOC (9) Cl.** ..... **13-03**

(52) **U.S. Cl.** ..... **D13/147**

(58) **Field of Classification Search** ..... D13/147,  
D13/154, 184; 439/108, 476.1, 483, 527,  
439/533, 607-610, 892, 894

See application file for complete search history.

(56) **References Cited**

**U.S. PATENT DOCUMENTS**

D510,724 S \* 10/2005 Li et al. .... D13/147  
D531,578 S \* 11/2006 Huang et al. .... D13/147  
D568,818 S \* 5/2008 Mollon ..... D13/147  
D579,876 S \* 11/2008 Novotney et al. .... D13/147

**FOREIGN PATENT DOCUMENTS**

JP D1247952 S 8/2005

\* cited by examiner

*Primary Examiner*—Daniel D Bui

(74) *Attorney, Agent, or Firm*—The Webb Law Firm

(57) **CLAIM**

The ornamental design for an electric connector, as shown and described.

**DESCRIPTION**

FIG. 1 is a front view of an electric connector showing our new design;

FIG. 2 is a rear view thereof;

FIG. 3 is a left side view thereof;

FIG. 4 is a right side view thereof;

FIG. 5 is a top view thereof;

FIG. 6 is a bottom view thereof;

FIG. 7 is a top perspective view thereof; and,

FIG. 8 is a bottom perspective view thereof.

The broken lines shown in FIGS. 3, 5, 6, 7, and 8 illustrate portions of the electric connector which form no part of the claimed design.

**1 Claim, 8 Drawing Sheets**

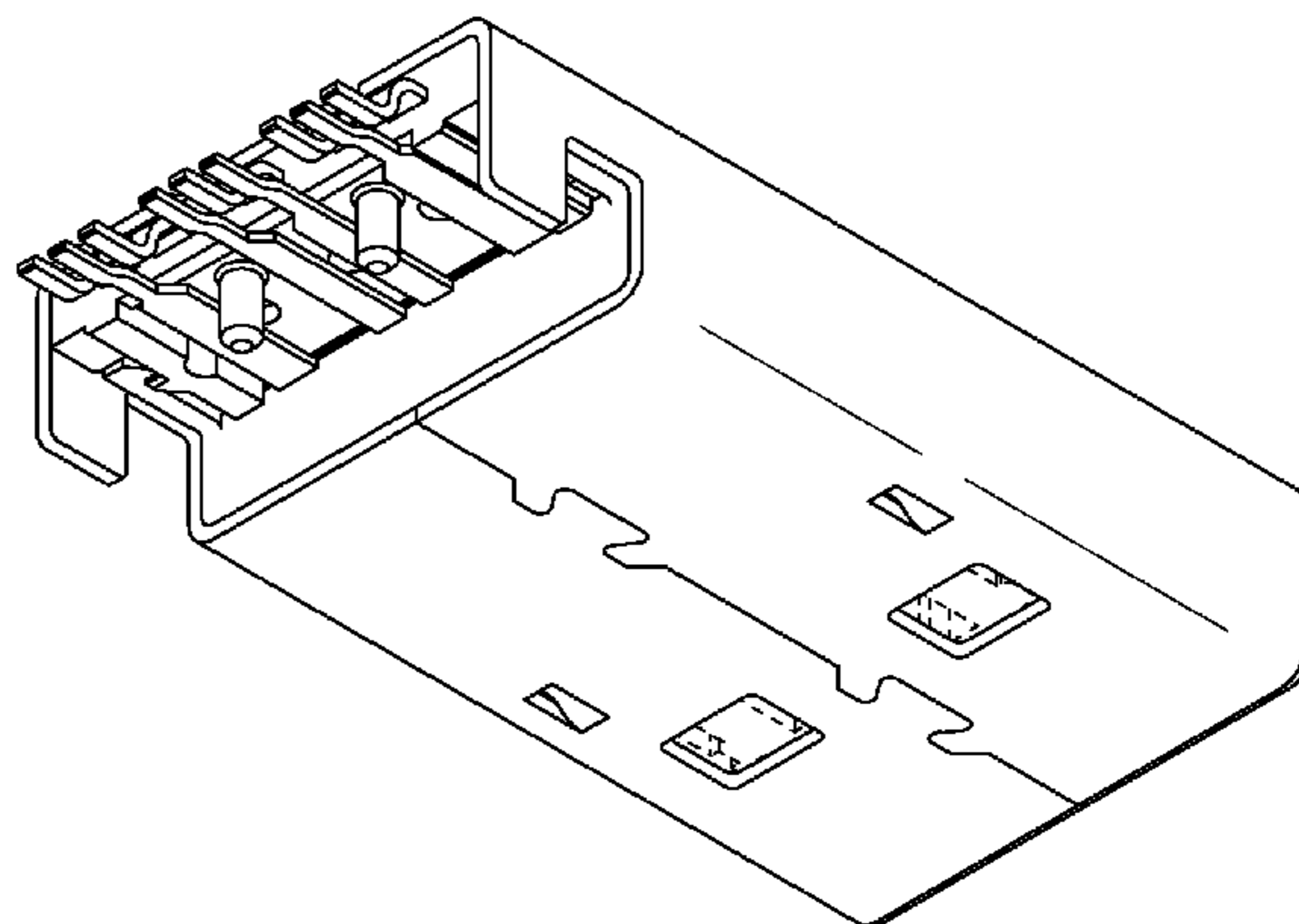
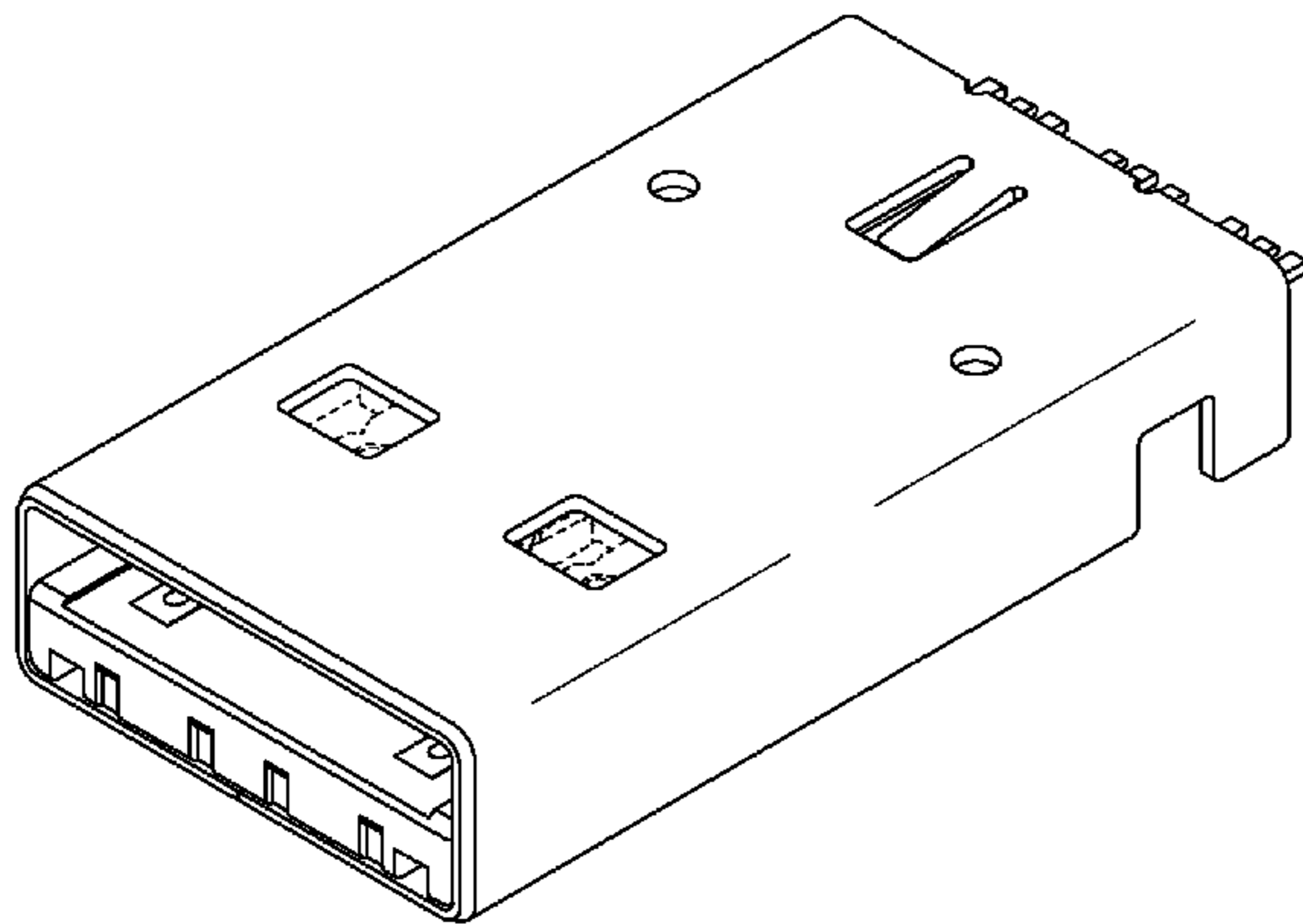


Fig. 1



Fig. 2

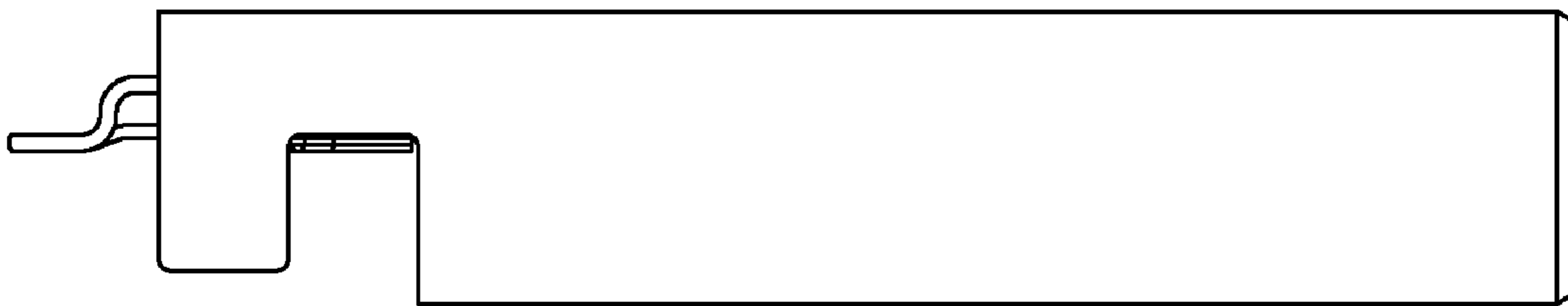


Fig. 3

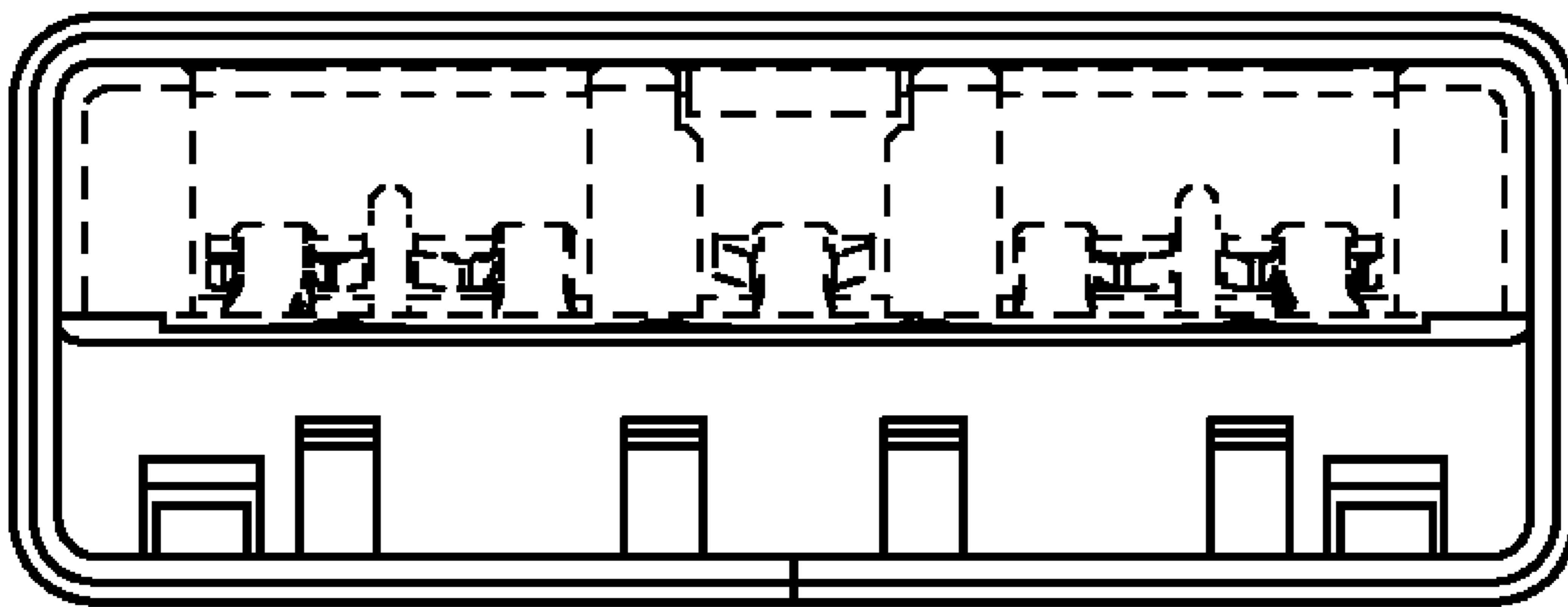


Fig. 4

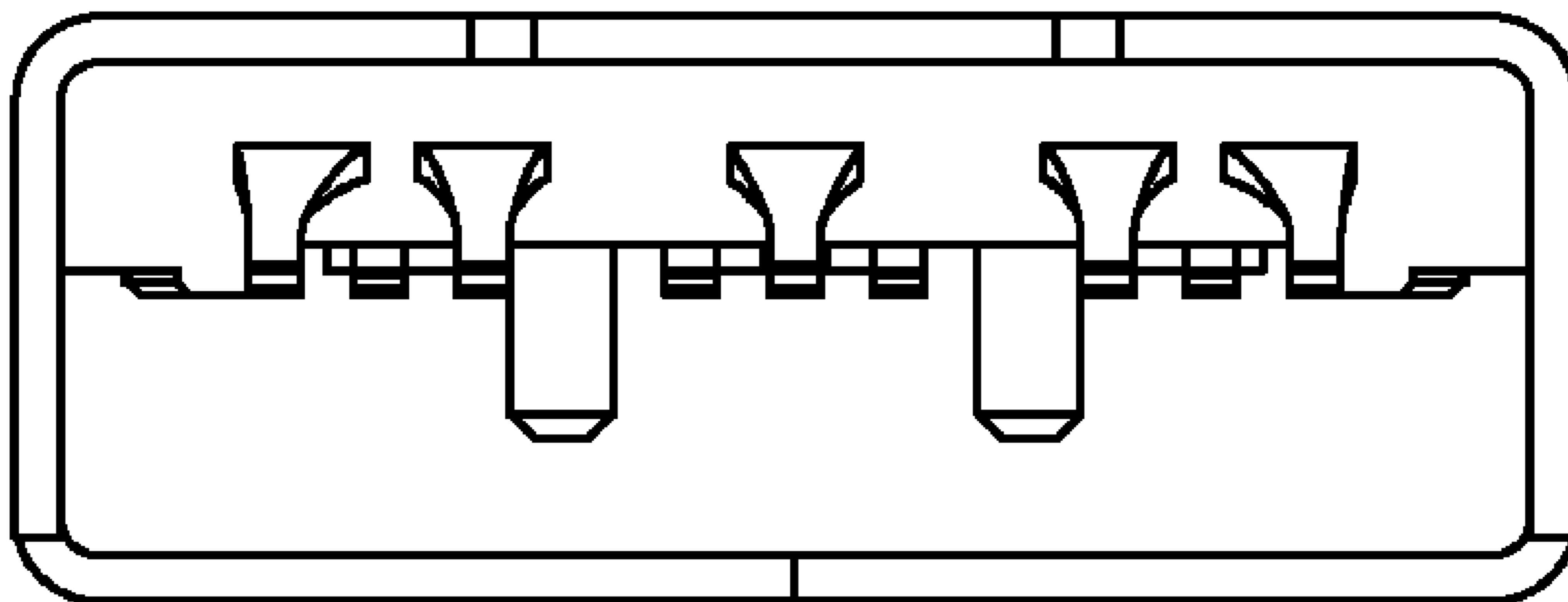


Fig. 5

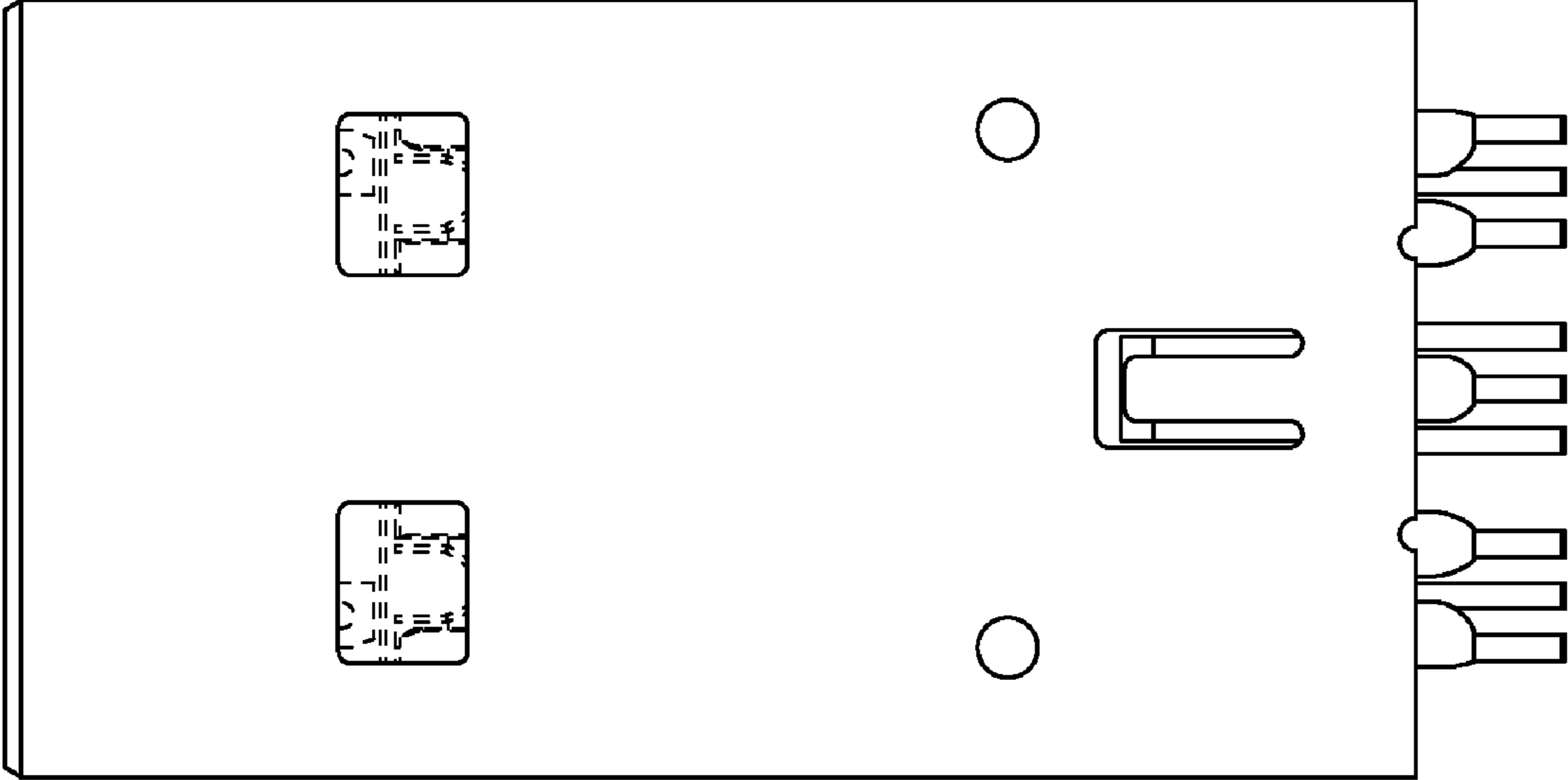


Fig. 6

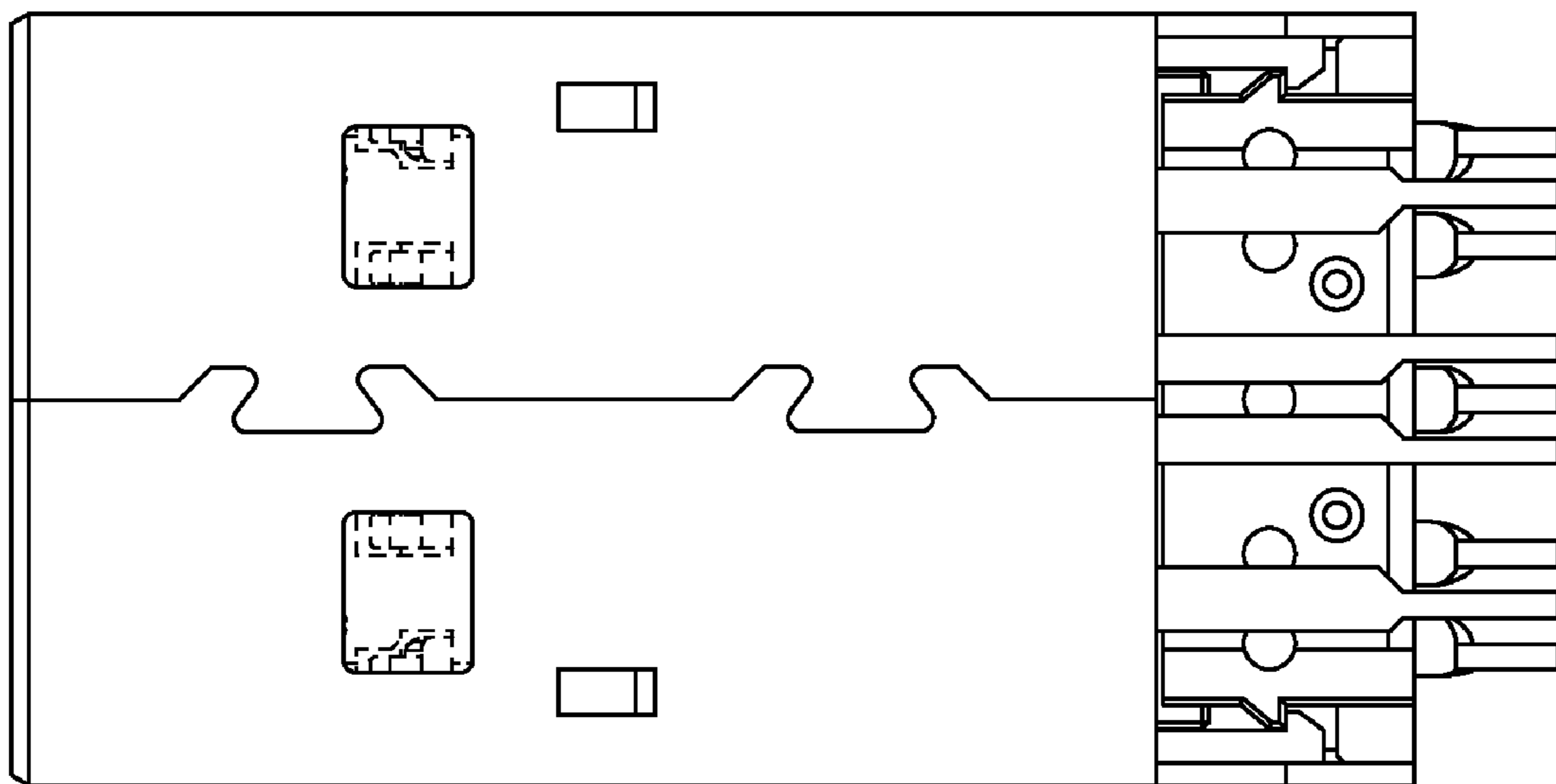


Fig. 7

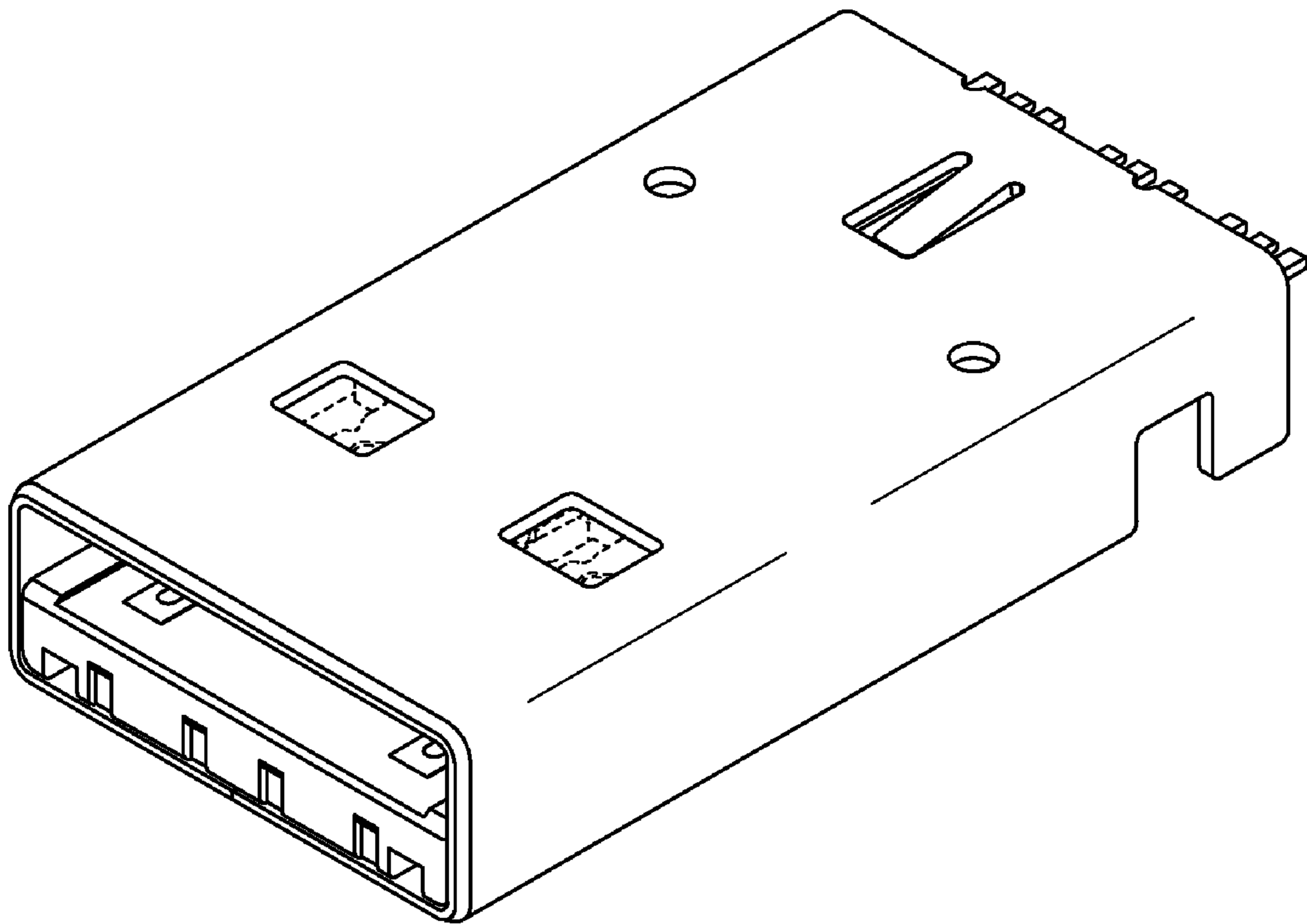




Fig. 8

