



US00D626073S

(12) **United States Design Patent**
Skidmore et al.

(10) **Patent No.:** **US D626,073 S**
(45) **Date of Patent:** **** Oct. 26, 2010**

(54) **PANEL MOUNTED MULTI-POLE POWER CONNECTOR WITH CENTRAL ATTACHMENT**

(75) Inventors: **Allyssa M Skidmore**, Fitchburg, MA (US); **Brian F Davies**, Acton, MA (US); **Craig H Baker**, Shrewsbury, MA (US)

(73) Assignee: **Anderson Power Products, Inc.**, Sterling, MA (US)

(**) Term: **14 Years**

(21) Appl. No.: **29/363,194**

(22) Filed: **Jun. 7, 2010**

(51) **LOC (9) Cl.** **13-03**

(52) **U.S. Cl.** **D13/146**

(58) **Field of Classification Search** D13/133, D13/146-147, 153, 154, 156, 184; 439/282, 439/292, 345, 346, 352, 374, 483, 594, 598
See application file for complete search history.

(56) **References Cited**

U.S. PATENT DOCUMENTS

4,449,776 A * 5/1984 Carmo et al. 439/350

(Continued)

Primary Examiner—Daniel D Bui

(74) *Attorney, Agent, or Firm*—Vern Maine & Associates

(57) **CLAIM**

The ornamental design for a panel mounted multi-pole power connector with central attachment, as shown and described.

DESCRIPTION

FIG. 1 is a front view of a panel mounted multi-pole power connector with central attachment showing our new design;

FIG. 2 is a back view thereof;

FIG. 3 is a top view of the first embodiment of a panel mounted multi-pole power connector with central attachment showing our new design;

FIG. 4 is a bottom view thereof;

FIG. 5 is a right side view thereof;

FIG. 6 is a left side view thereof;

FIG. 7 is a front top perspective view thereof;

FIG. 8 is a front bottom perspective view thereof;

FIG. 9 is a back bottom perspective view thereof;

FIG. 10 is a top view of the second embodiment of a panel mounted multi-pole power connector with central attachment showing our new design;

FIG. 11 is a bottom view thereof;

FIG. 12 is a right side view thereof;

FIG. 13 is a left side view thereof;

FIG. 14 is a front top perspective view thereof;

FIG. 15 is a front bottom perspective view thereof;

FIG. 16 is a back bottom perspective view thereof;

FIG. 17 is a top view of the third embodiment of a panel mounted multi-pole power connector with central attachment showing our new design;

FIG. 18 is a bottom view thereof;

FIG. 19 is a right side view thereof;

FIG. 20 is a left side view thereof;

FIG. 21 is a front top perspective view thereof;

FIG. 22 is a front bottom perspective view thereof;

FIG. 23 is a back bottom perspective view thereof;

FIG. 24 is a top view of the fourth embodiment of a panel mounted multi-pole power connector with central attachment showing our new design;

FIG. 25 is a bottom view thereof;

FIG. 26 is a right side view thereof;

FIG. 27 is a left side view thereof;

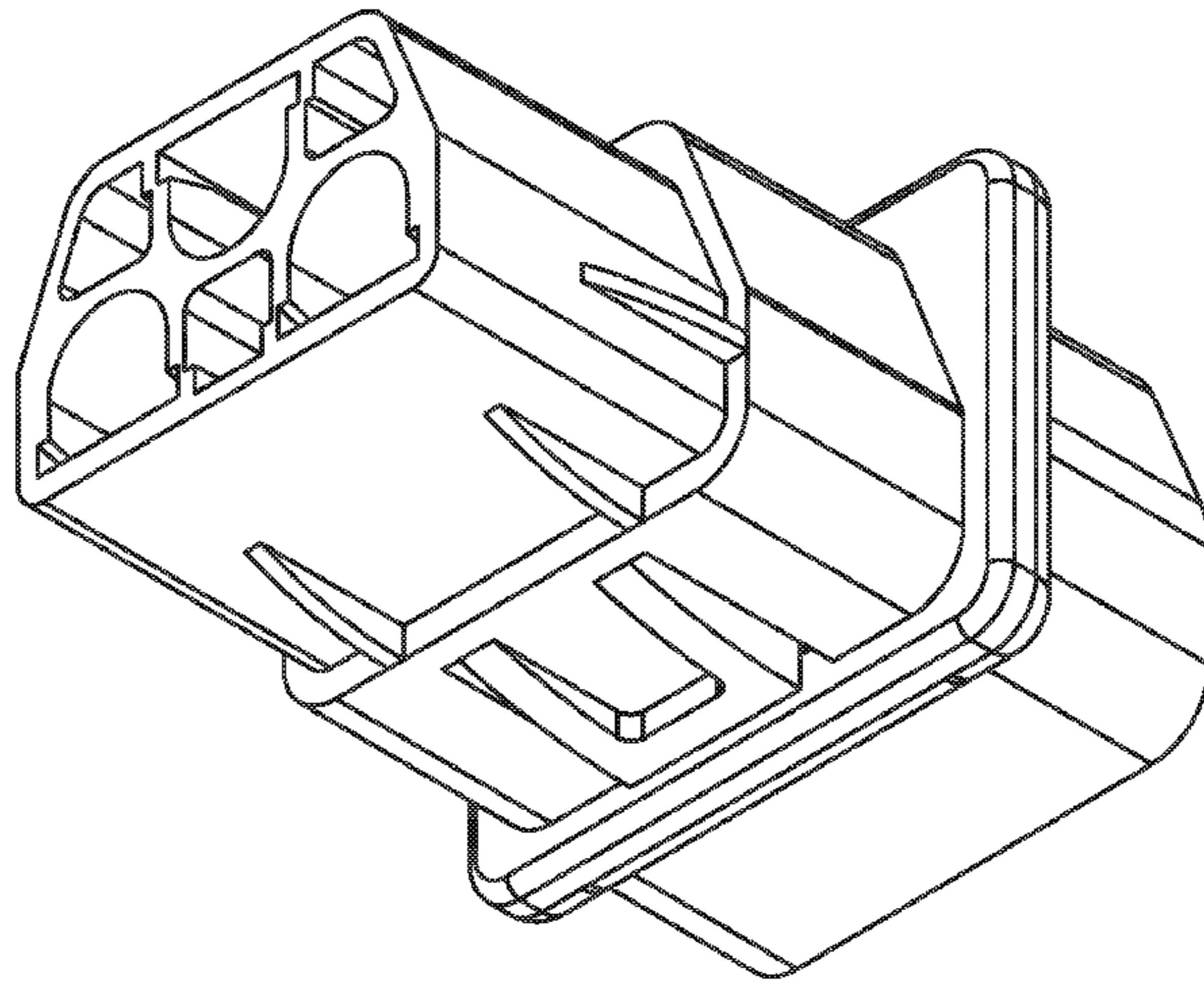
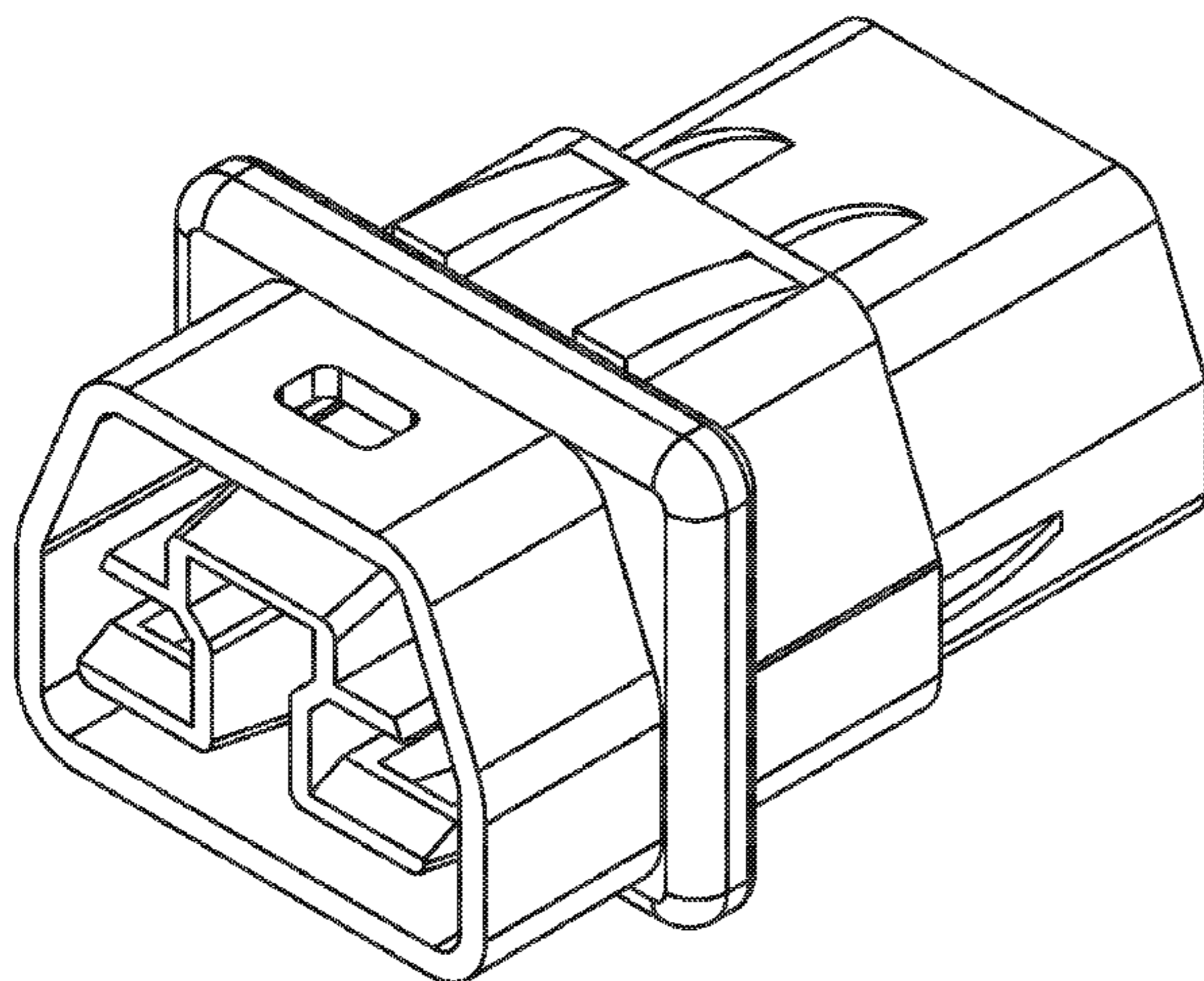
FIG. 28 is a front top perspective view thereof;

FIG. 29 is a front bottom perspective view thereof; and,

FIG. 30 is a back bottom perspective view thereof.

The broken line portion of the figure drawings is included to show unclaimed subject matter only and forms no part of the claimed design.

1 Claim, 30 Drawing Sheets



US D626,073 S

Page 2

U.S. PATENT DOCUMENTS

4,489,997 A *	12/1984	Byrne	439/98	D493,428 S *	7/2004	McCoy	D13/147
4,934,959 A	6/1990	Zielinski et al.		7,074,070 B1 *	7/2006	Huang et al.	439/352
D317,899 S *	7/1991	Takenouchi et al.	D13/133	D604,249 S	11/2009	Mancini	
D332,600 S	1/1993	Lucey et al.		2006/0276071 A1 *	12/2006	Rossi	439/352
D460,049 S *	7/2002	McCoy	D13/147	2007/0178739 A1	8/2007	Kuwayama	
				2009/0035981 A1	2/2009	Lim	

* cited by examiner

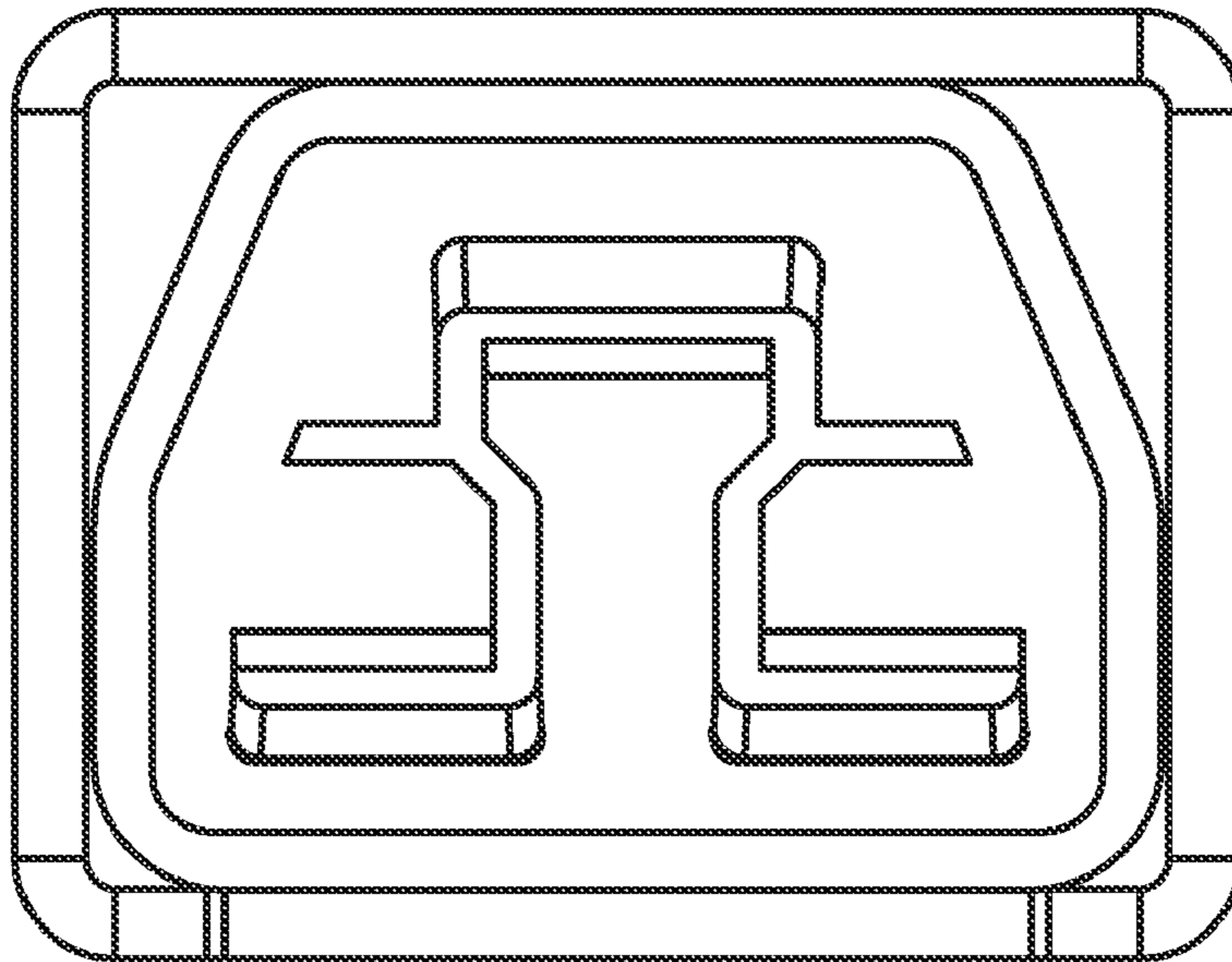


FIG. 1

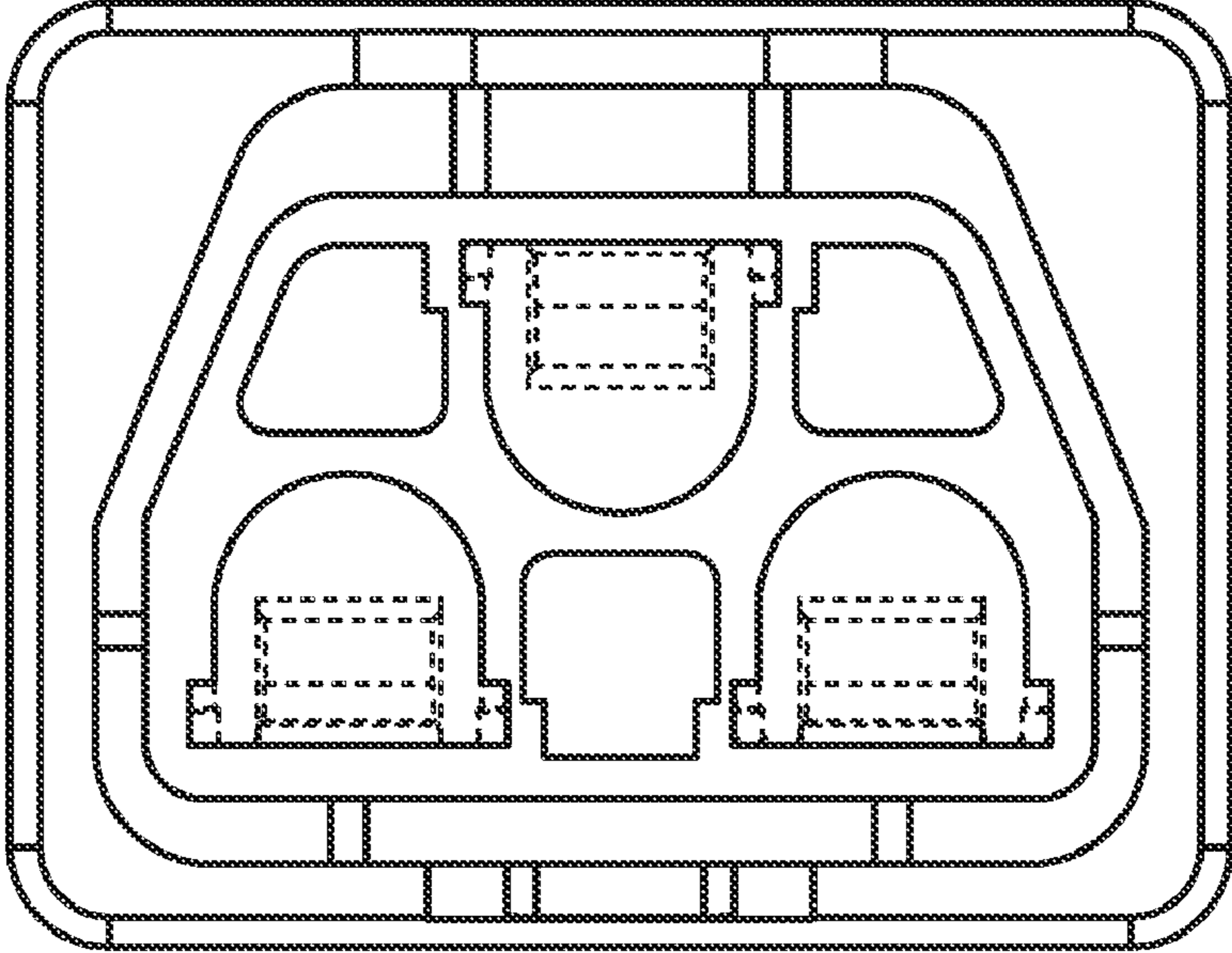


FIG. 2

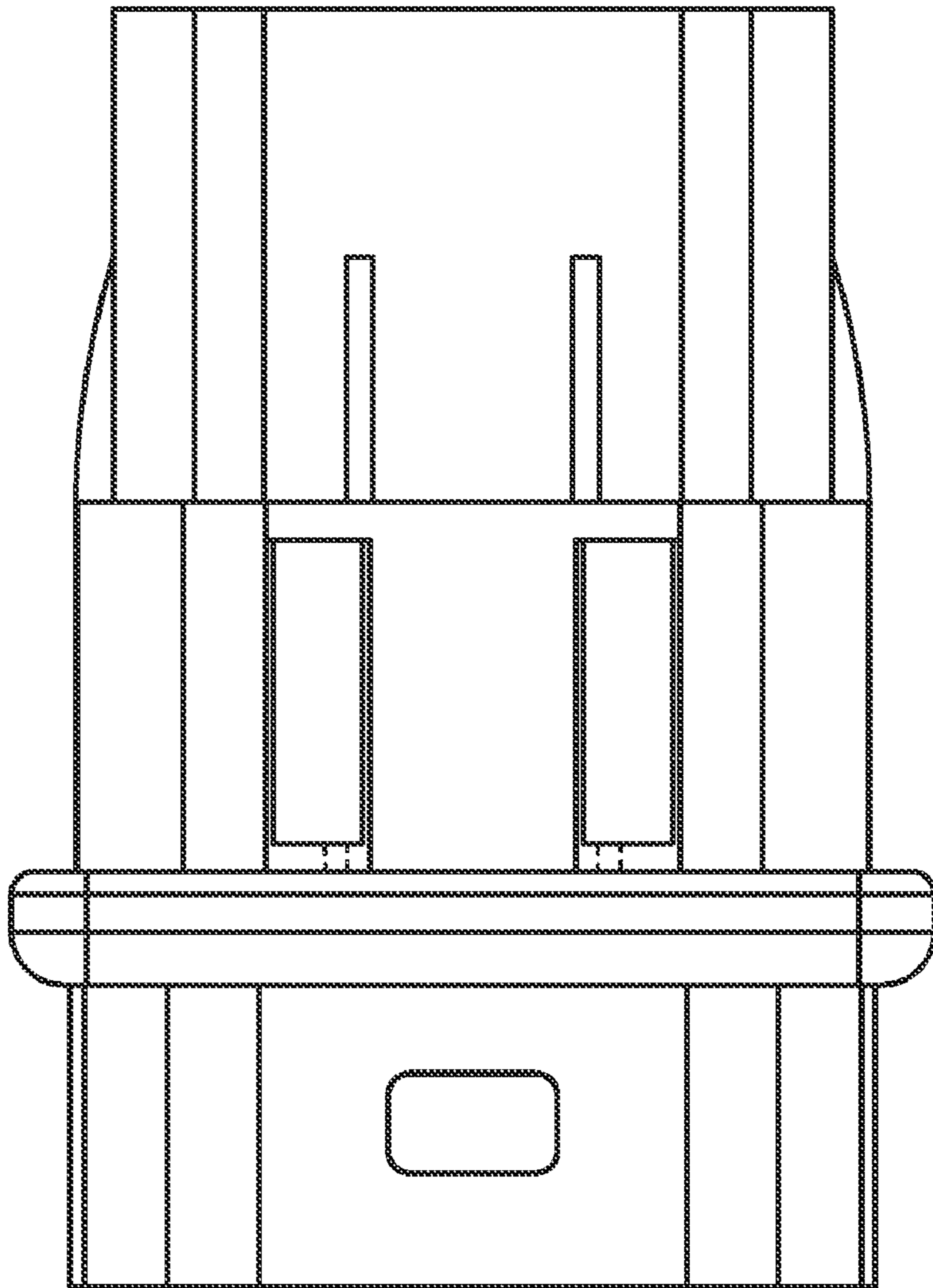


FIG. 3

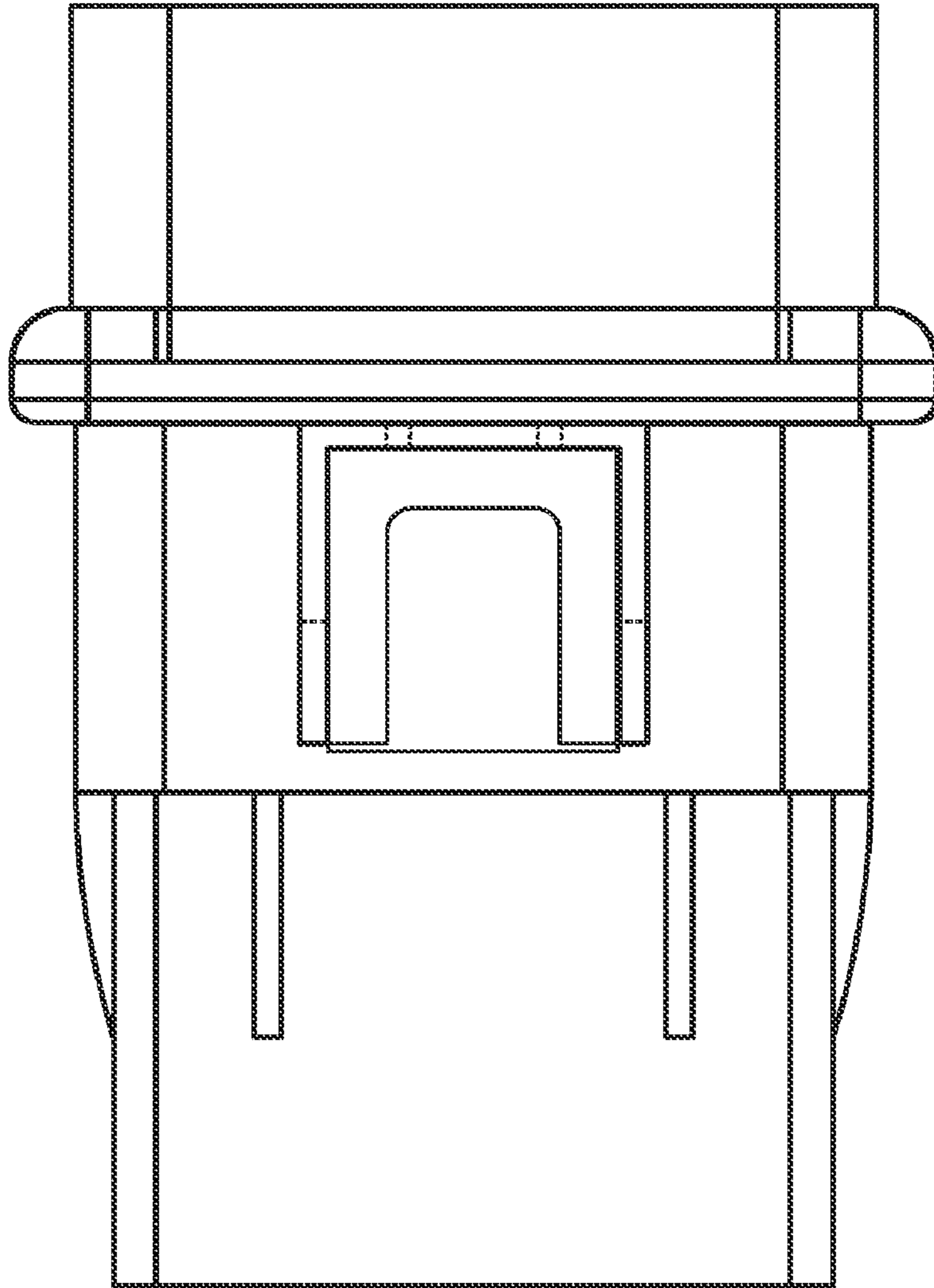


FIG. 4

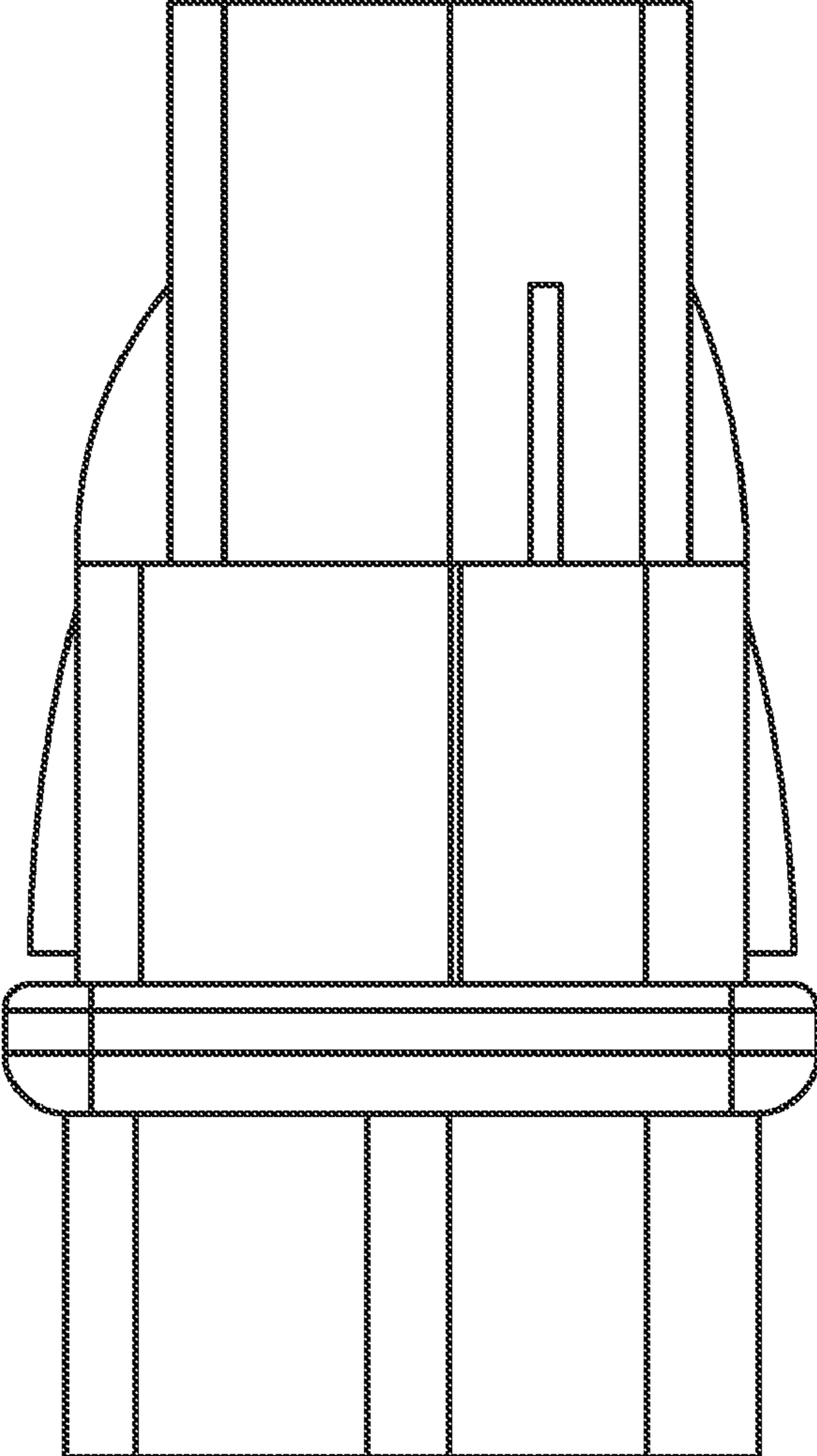


FIG. 5

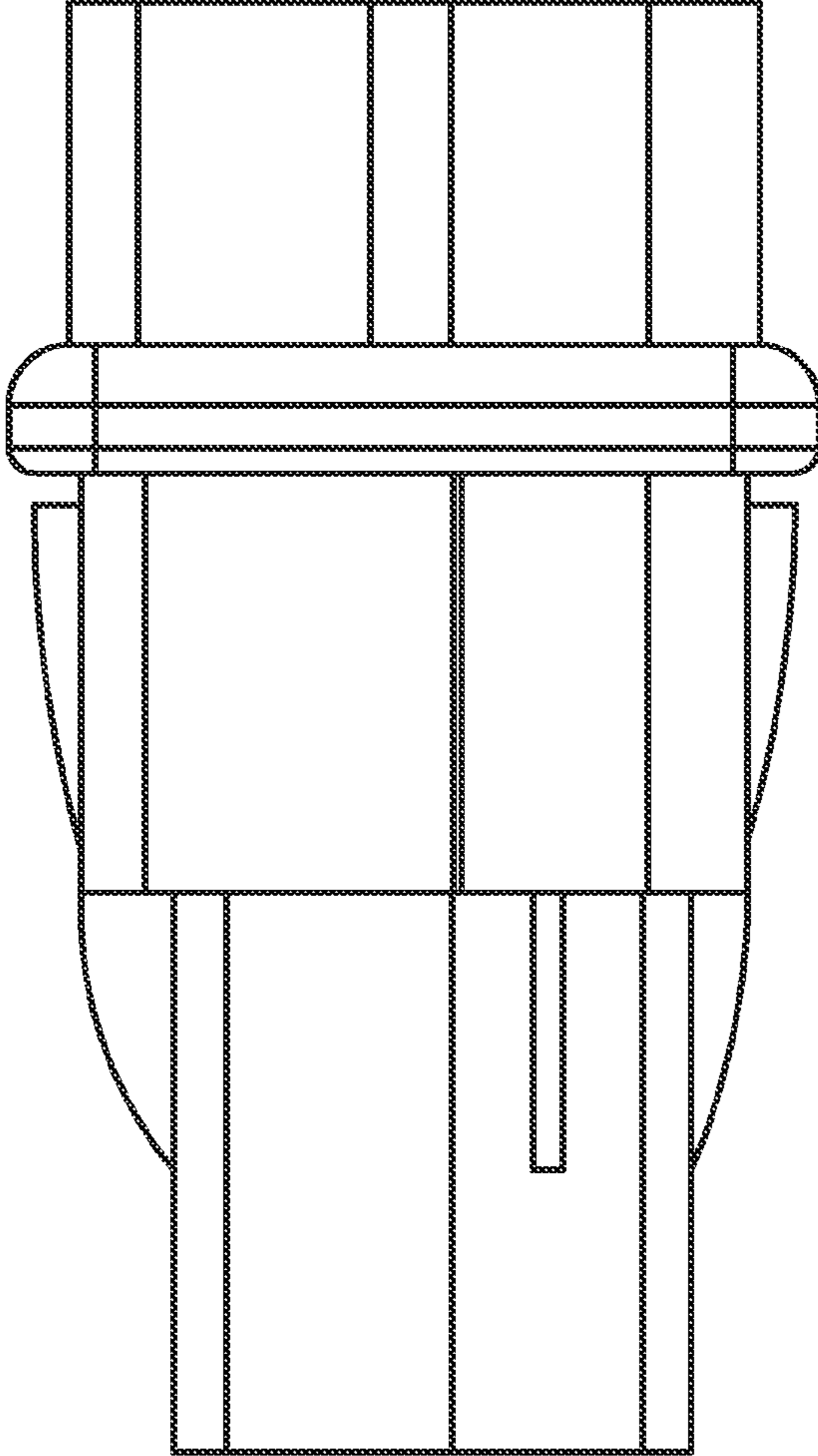


FIG. 6

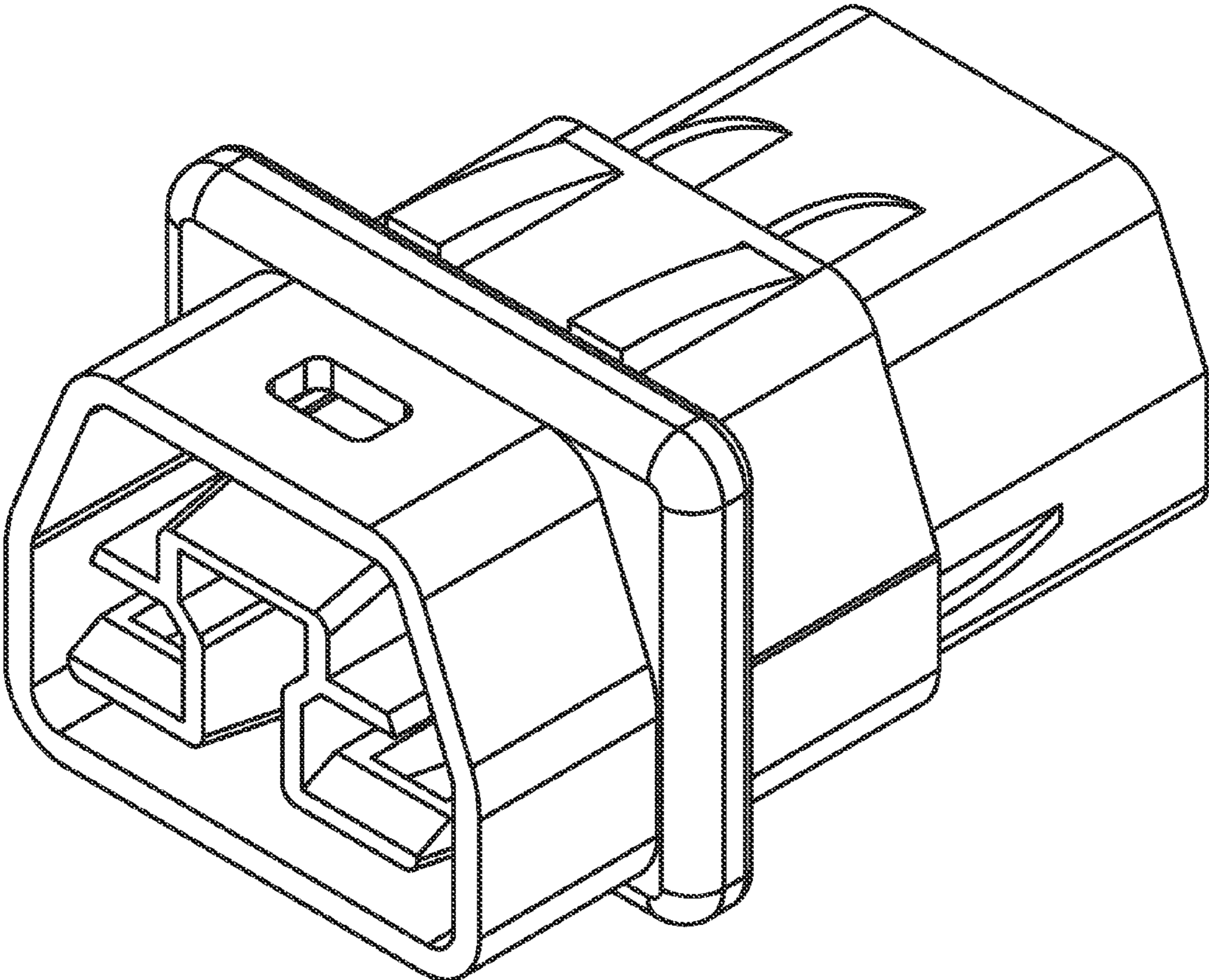


FIG. 7

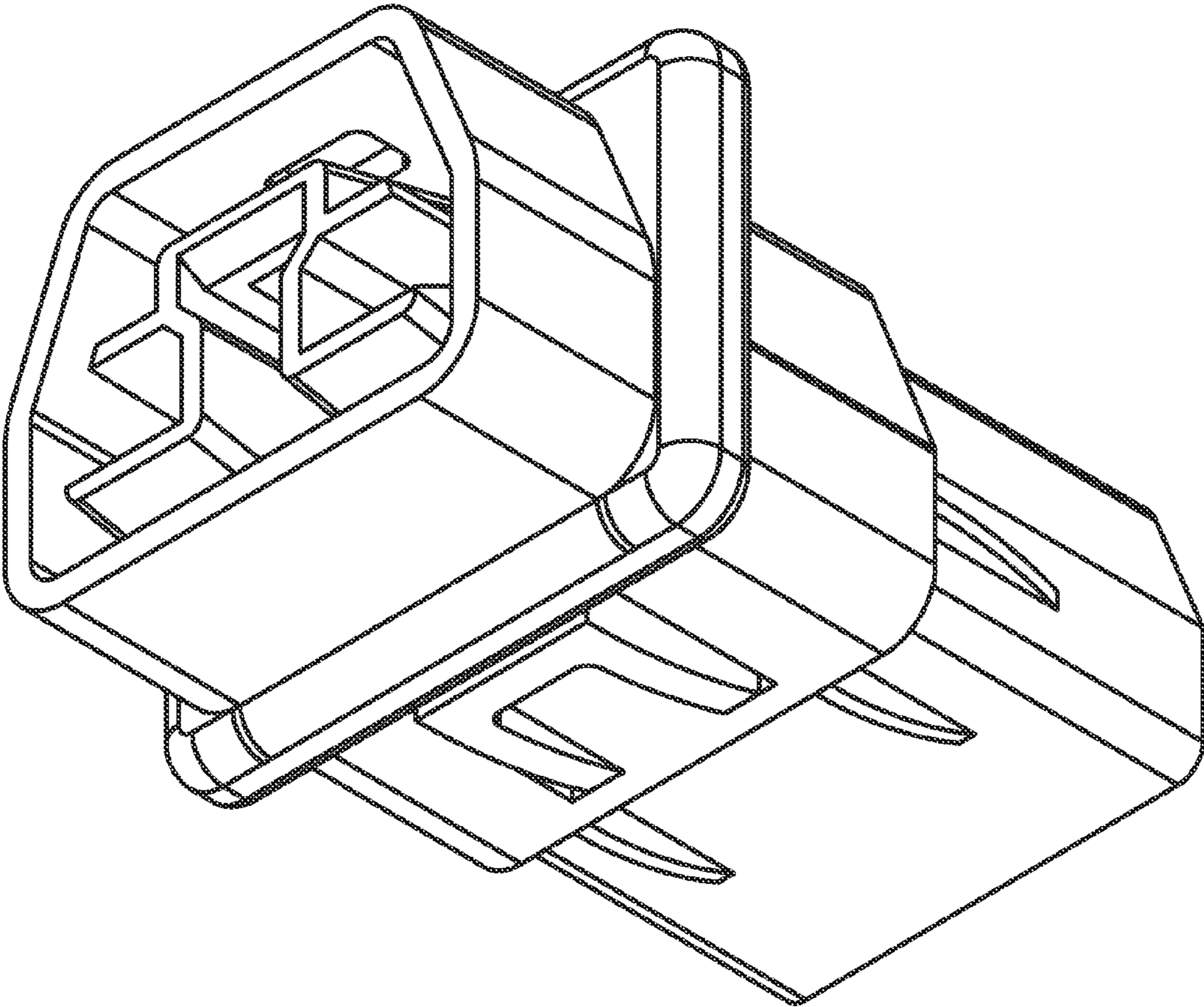


FIG. 8

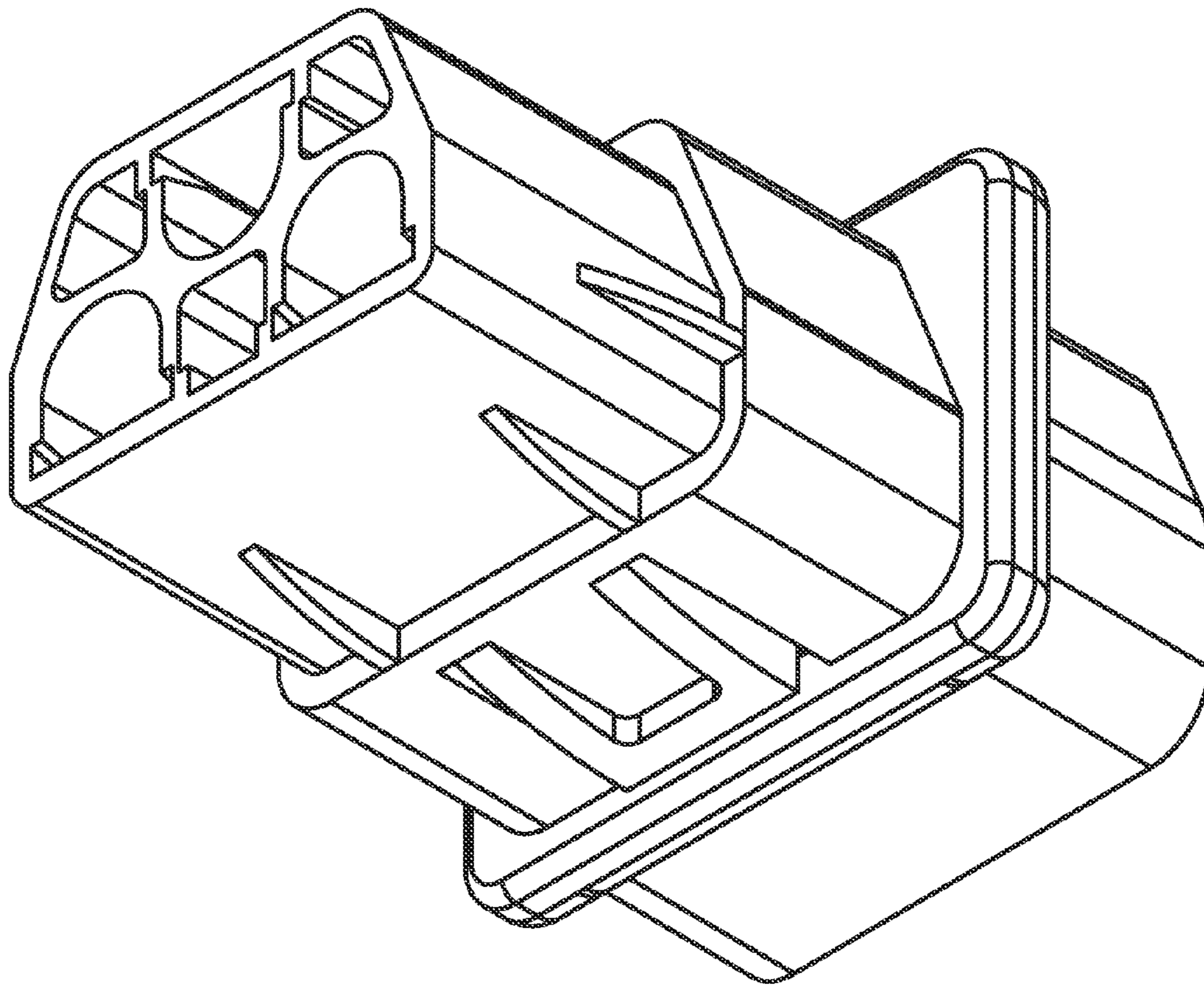


FIG. 9

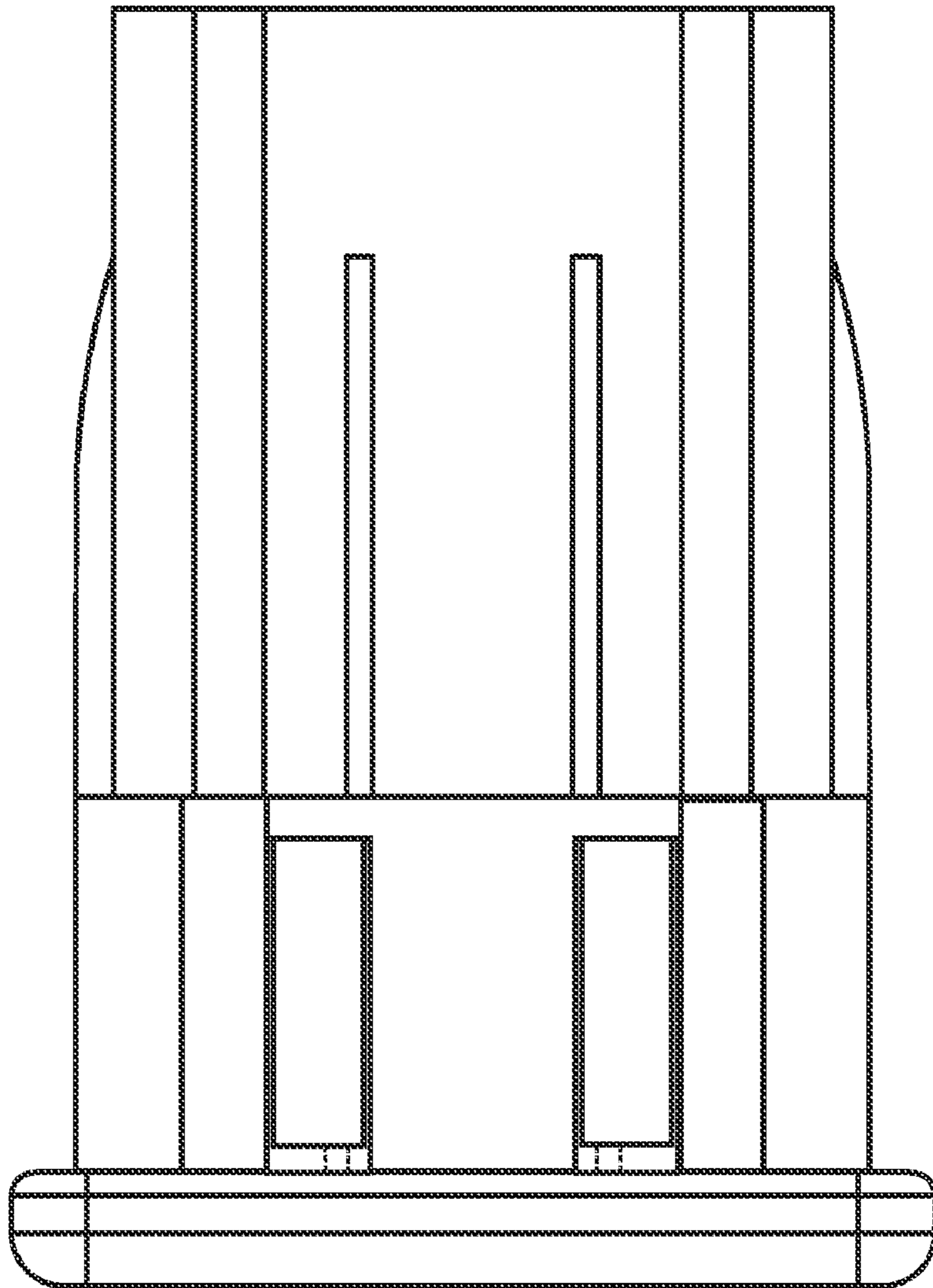


FIG. 10

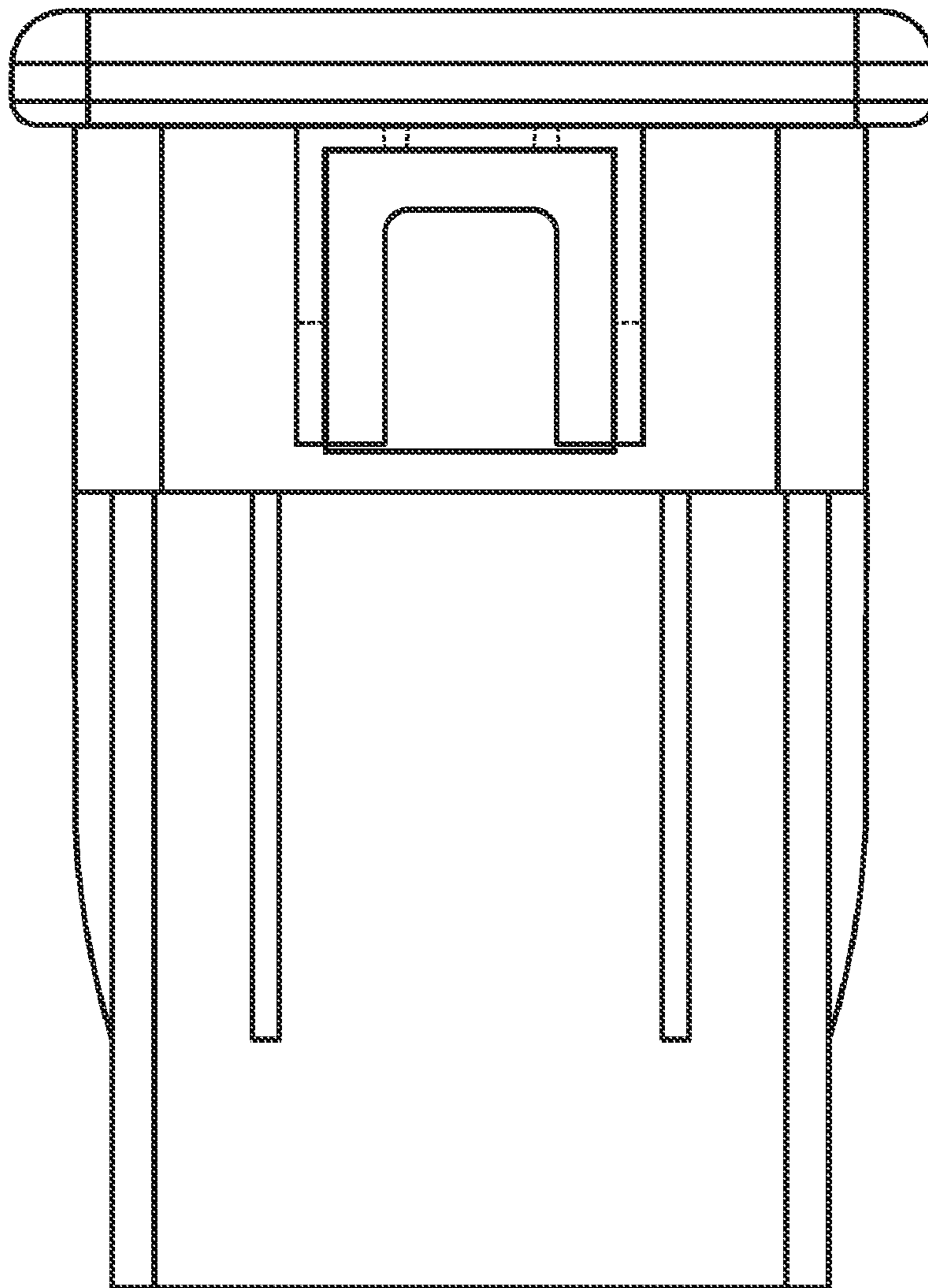


FIG. 11

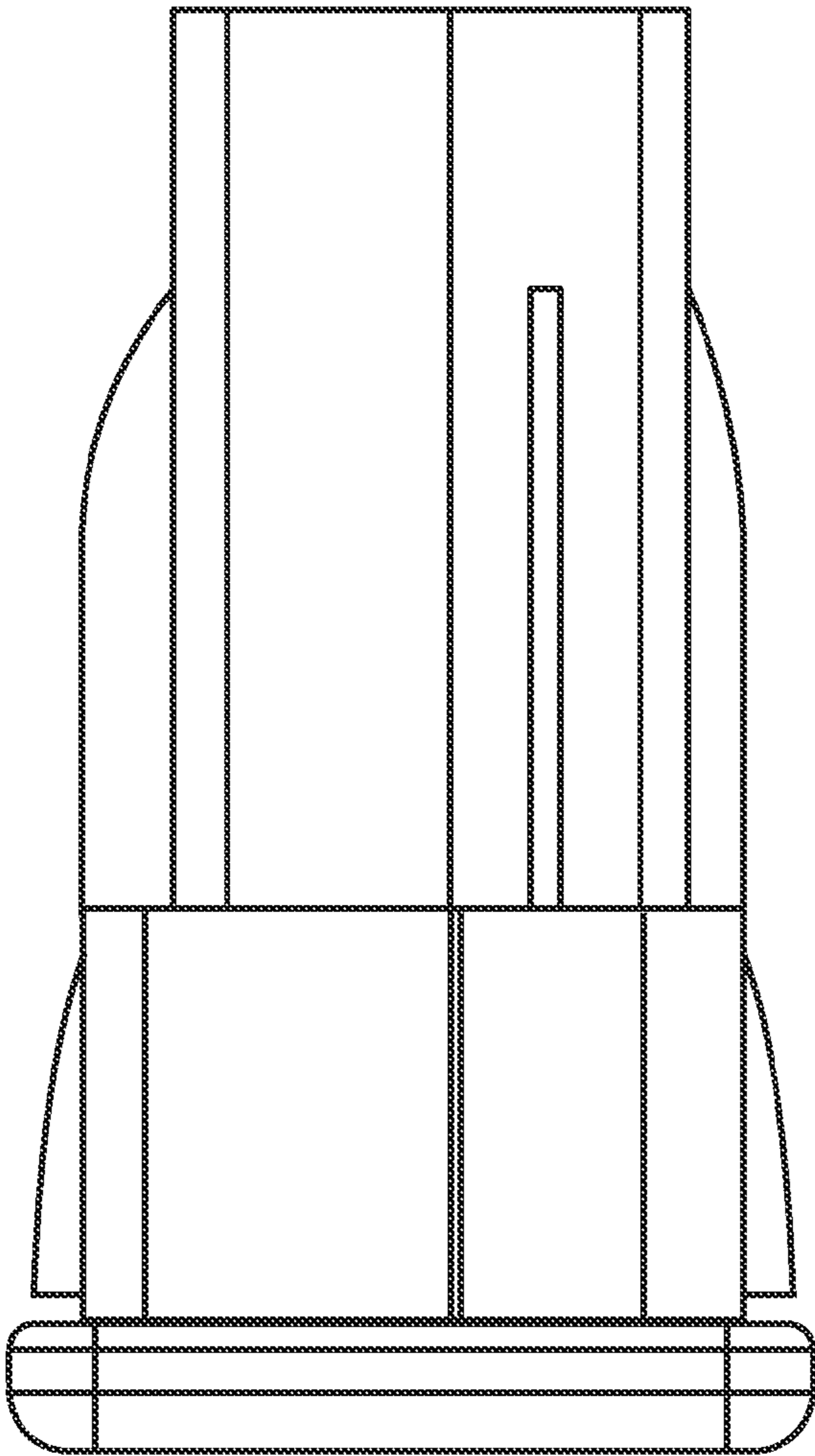


FIG. 12

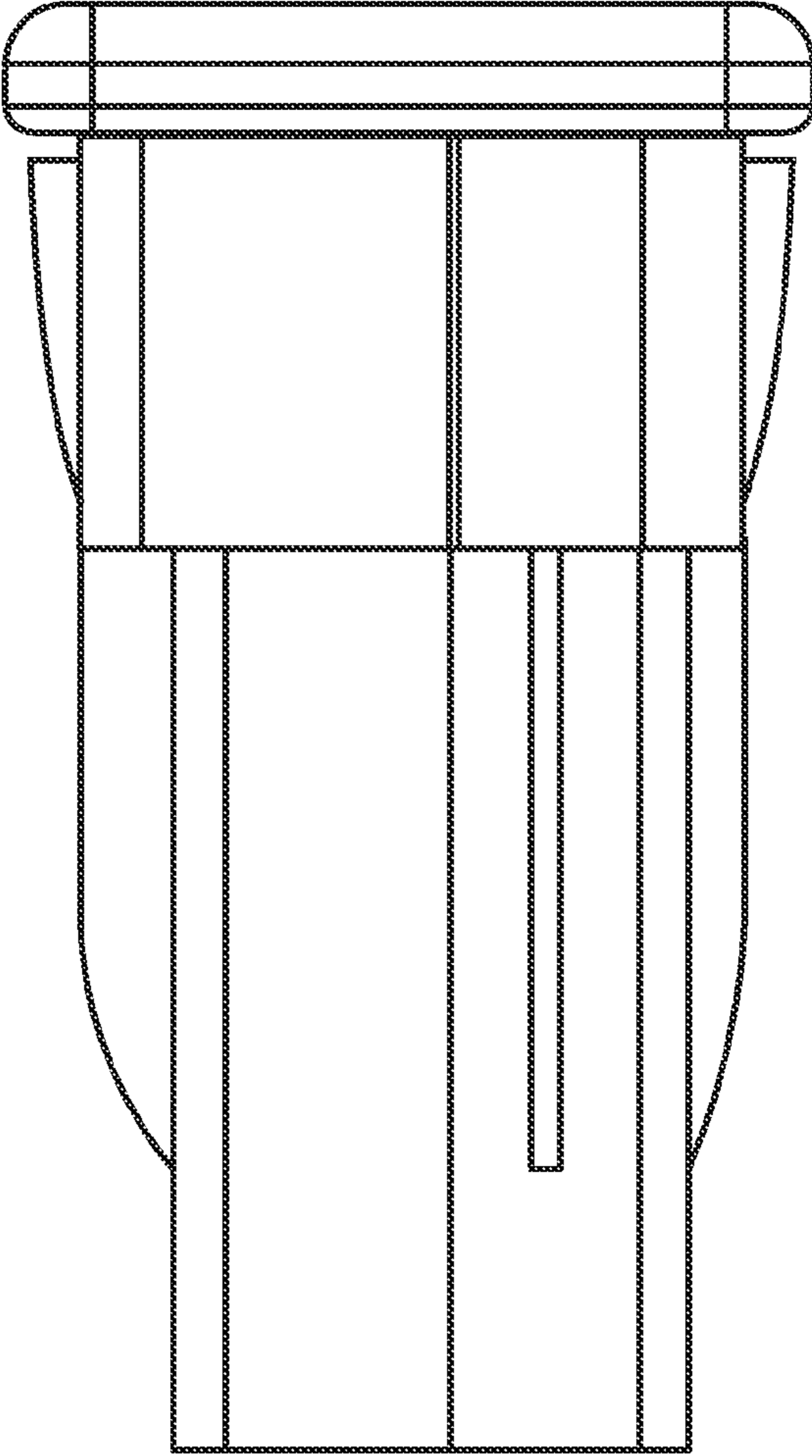


FIG. 13

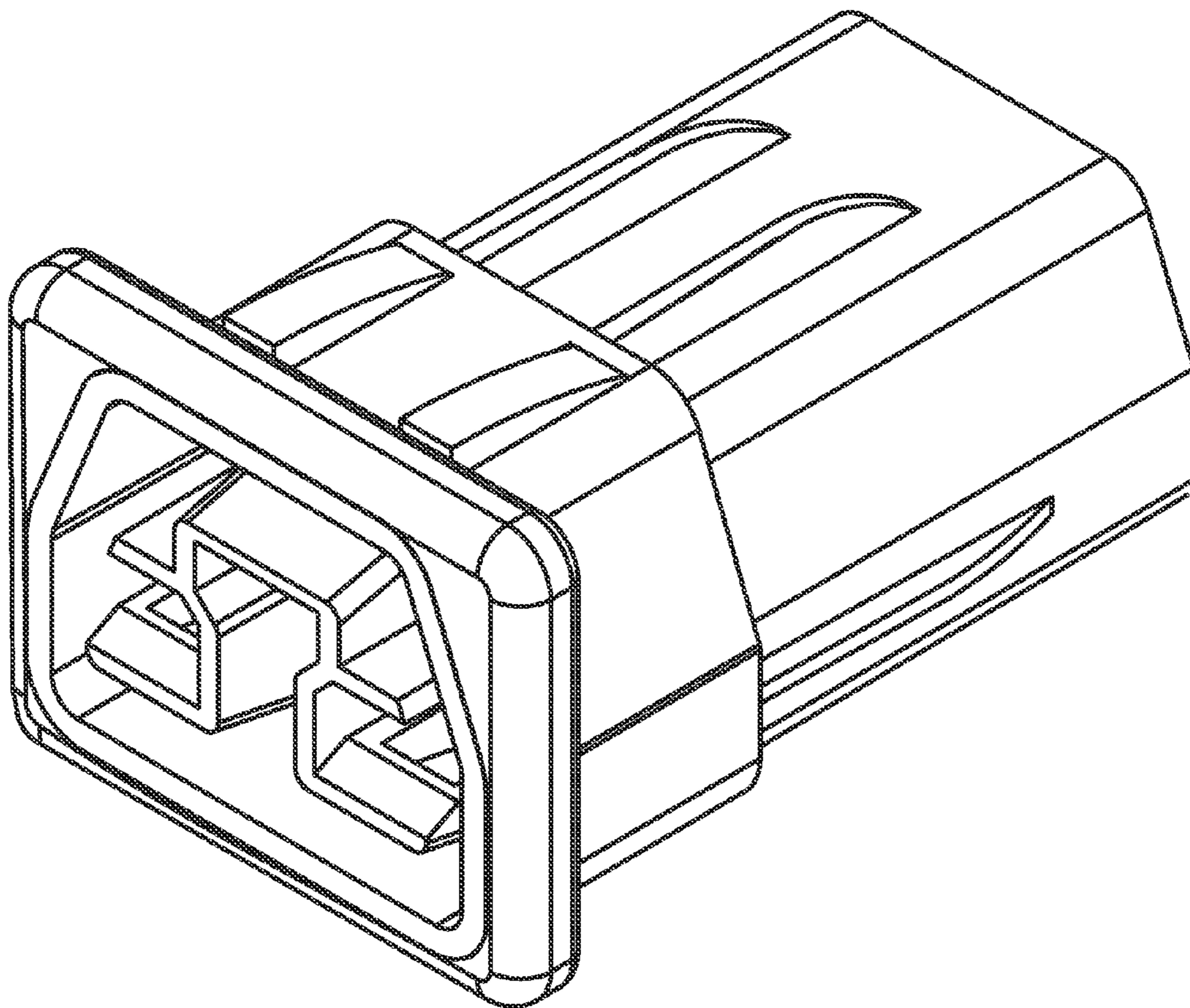


FIG. 14

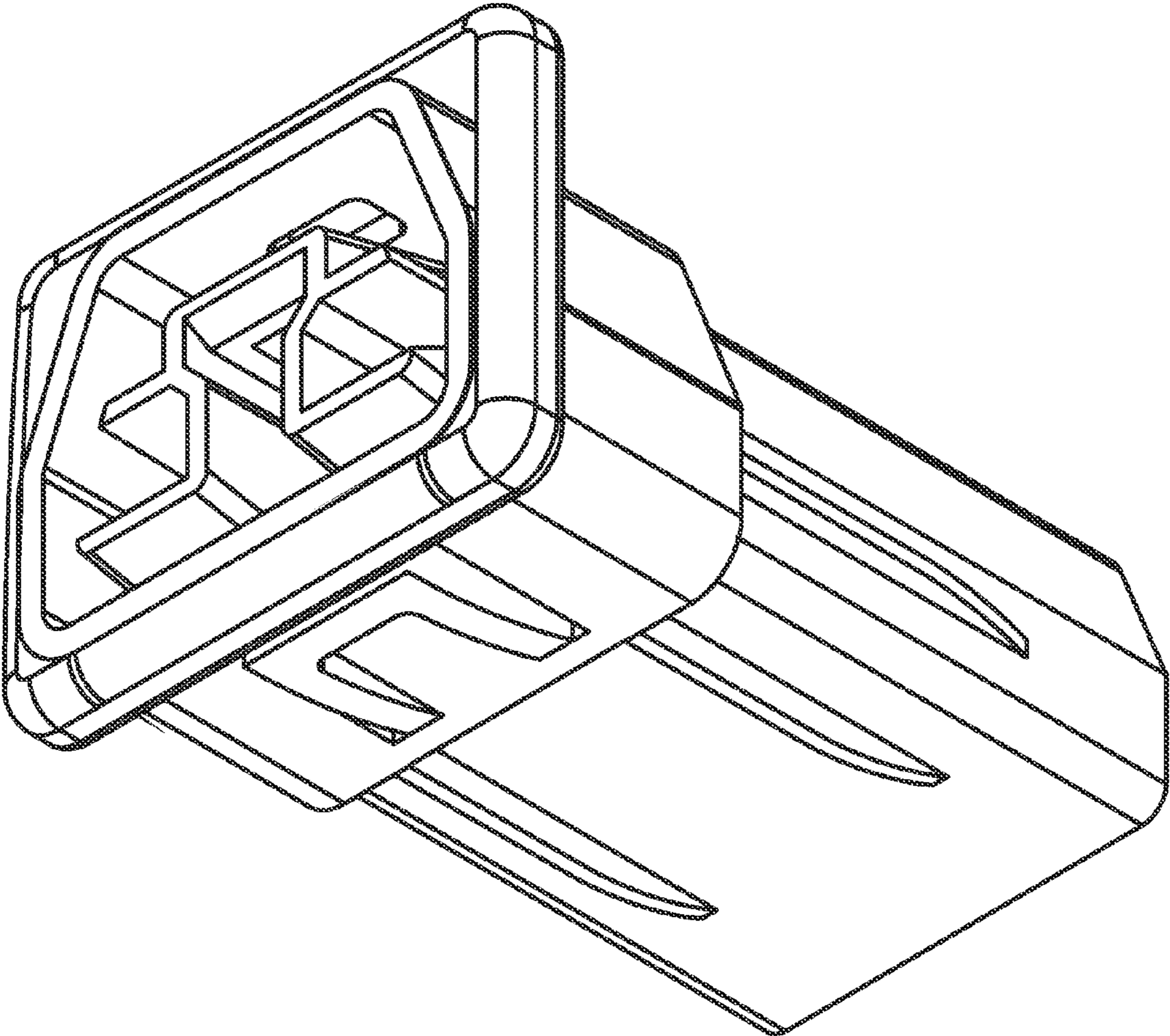


FIG. 15

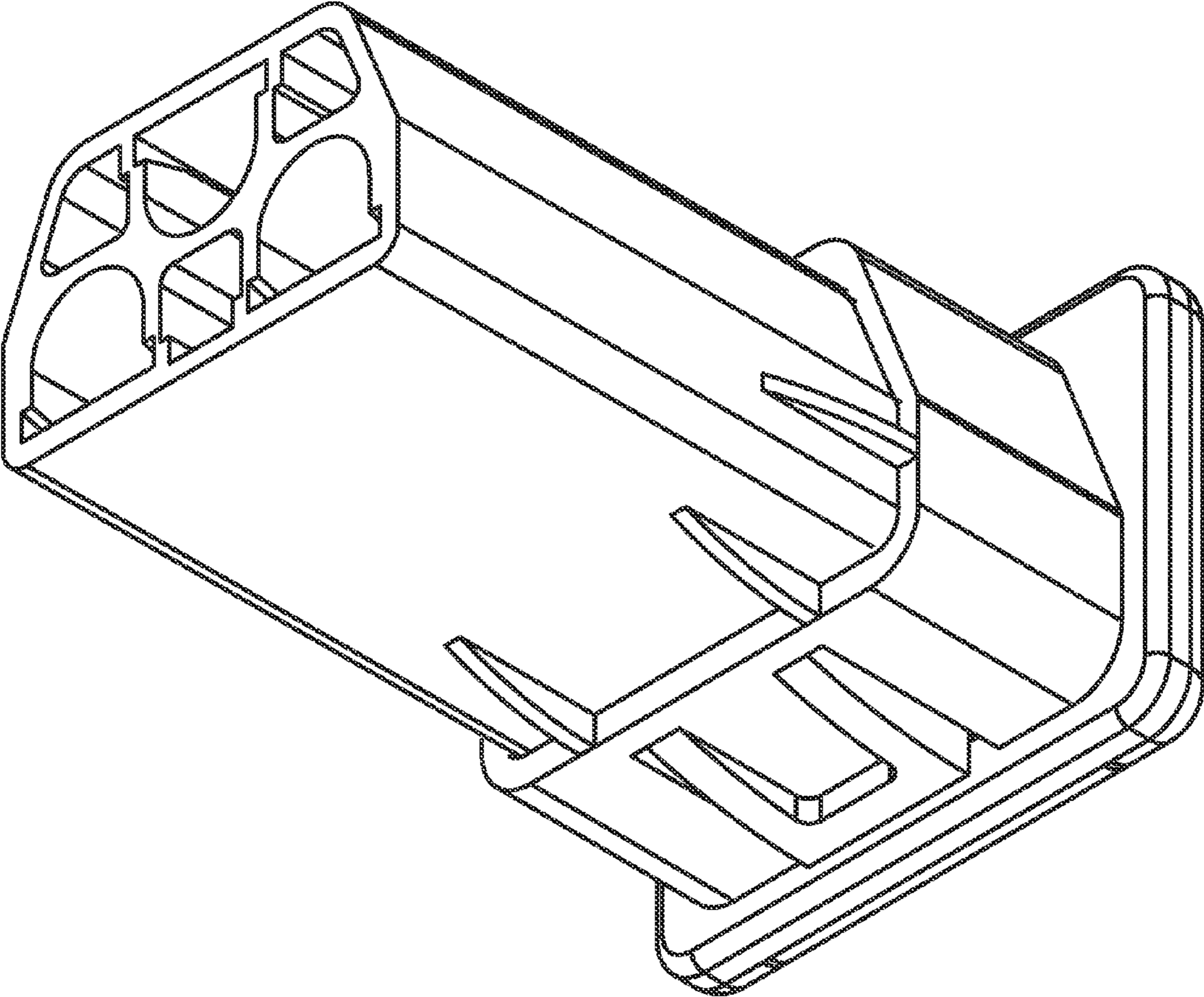


FIG. 16

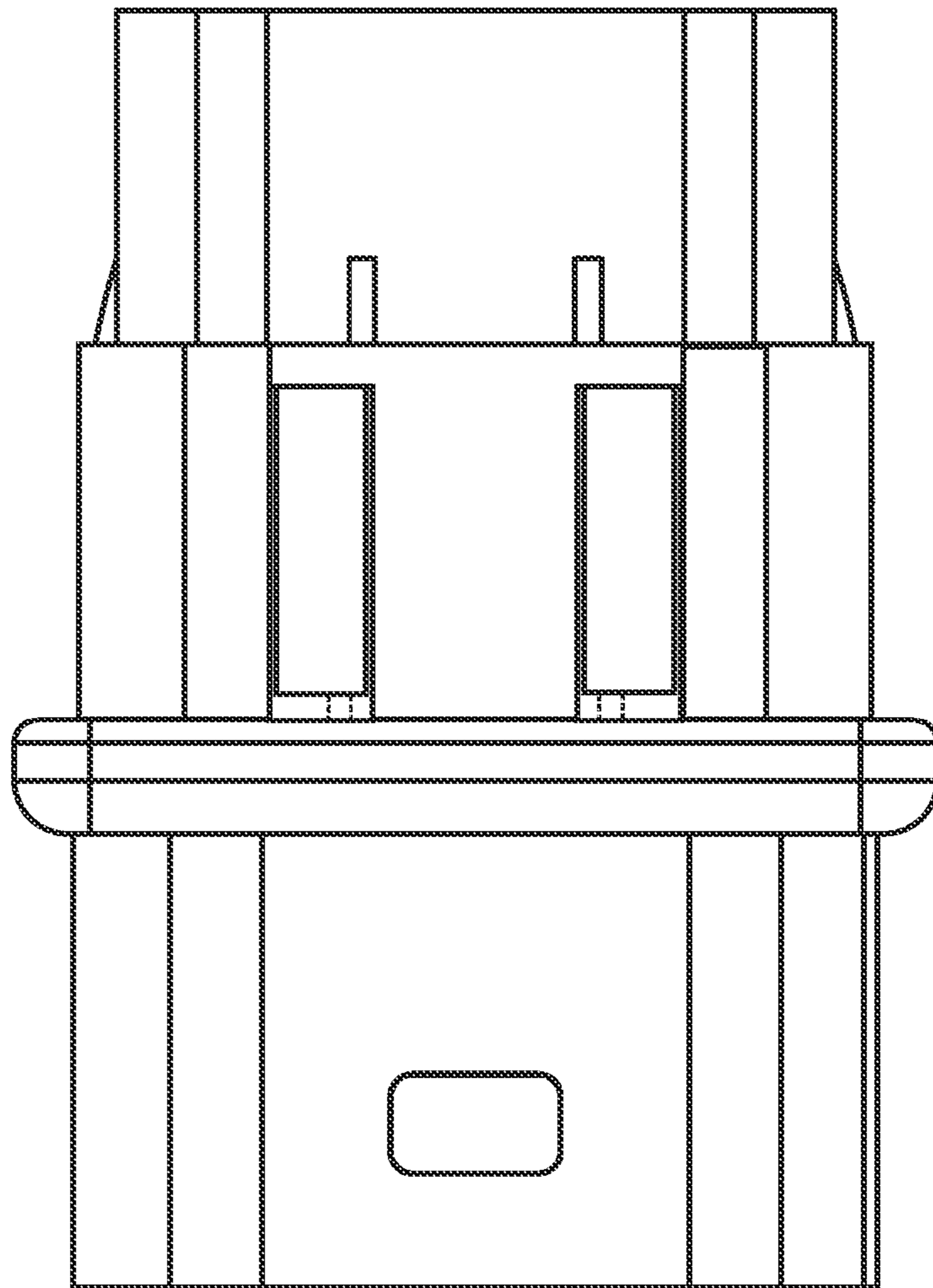


FIG. 17

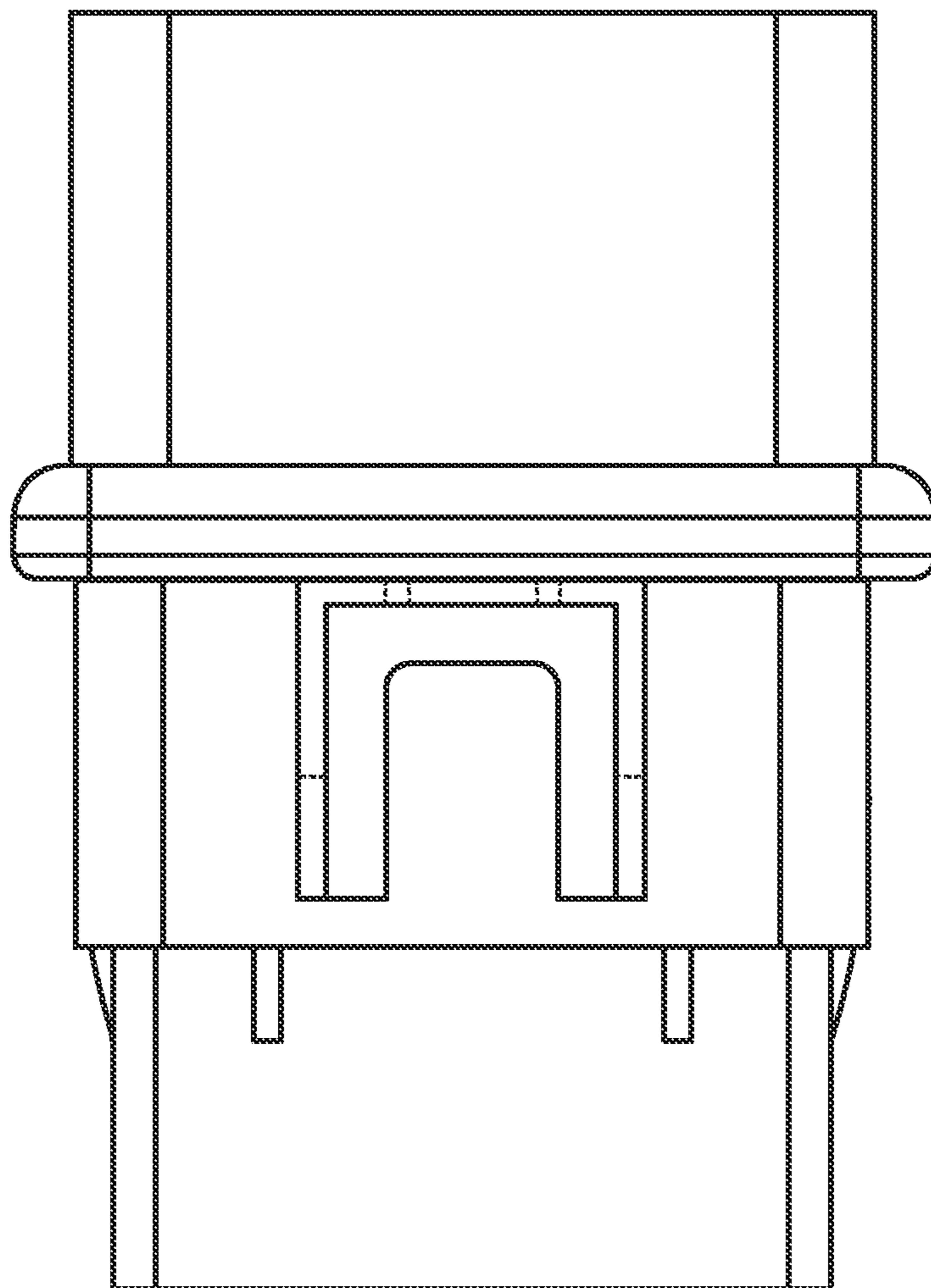


FIG. 18

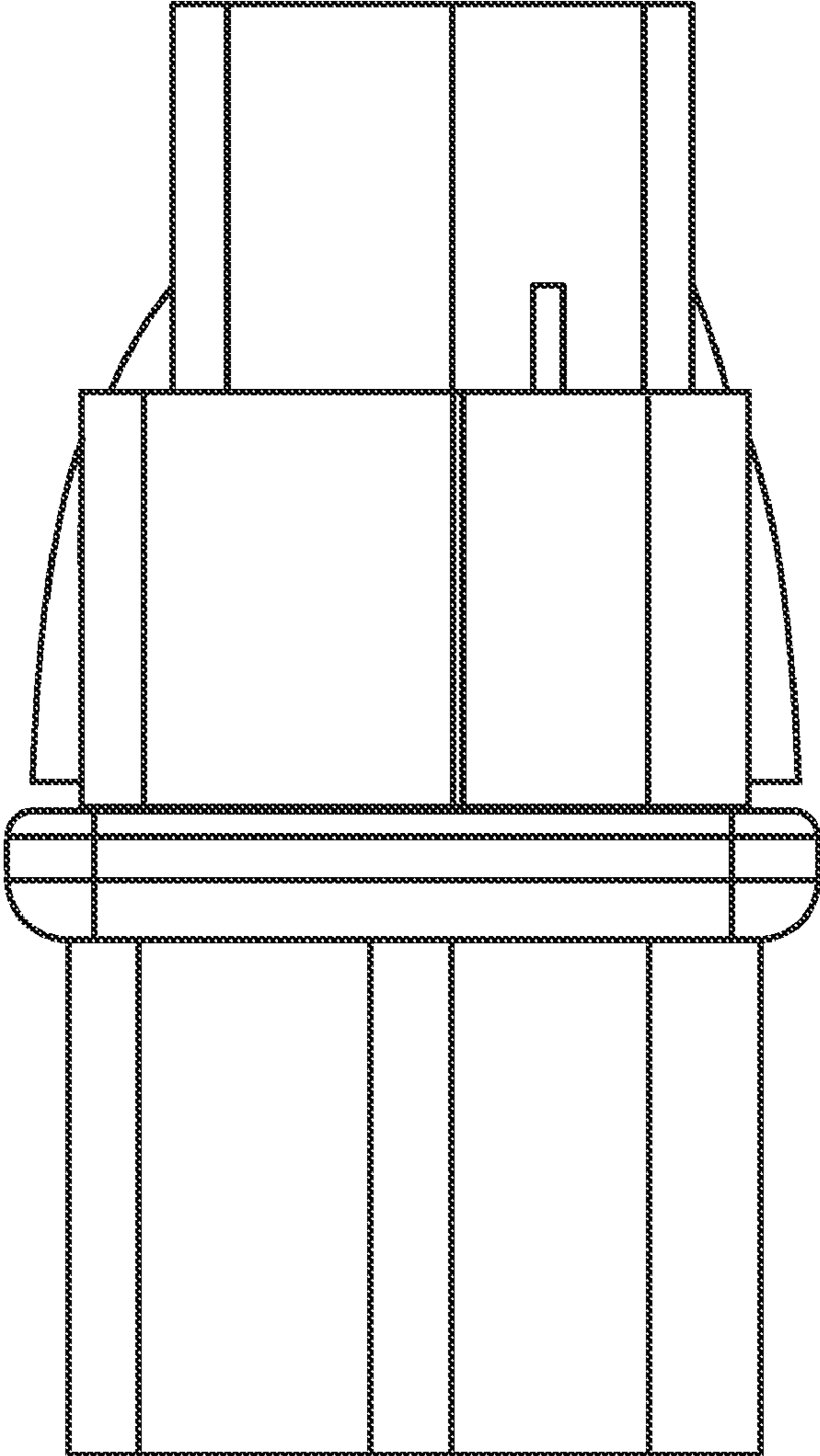


FIG. 19

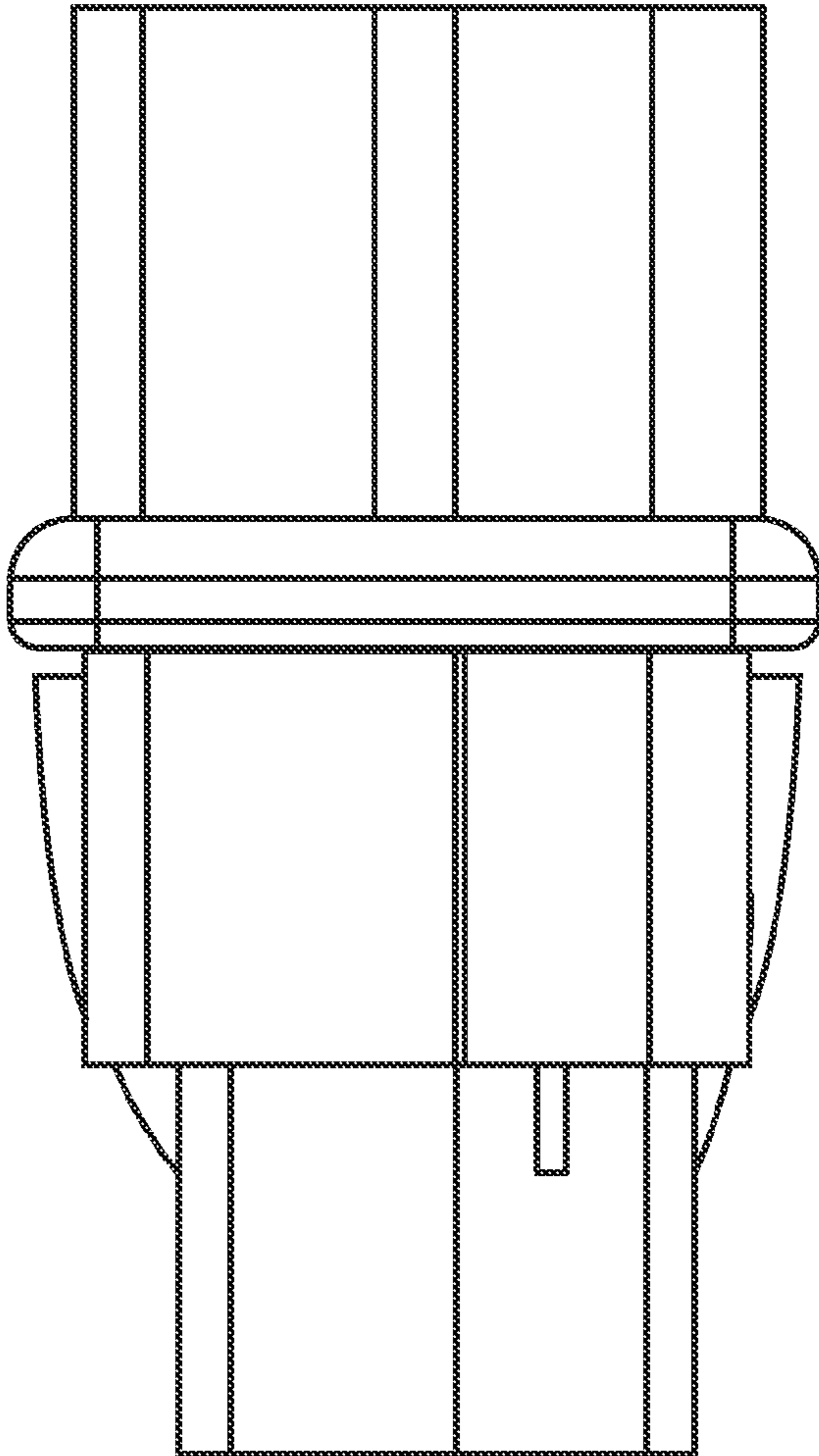


FIG. 20

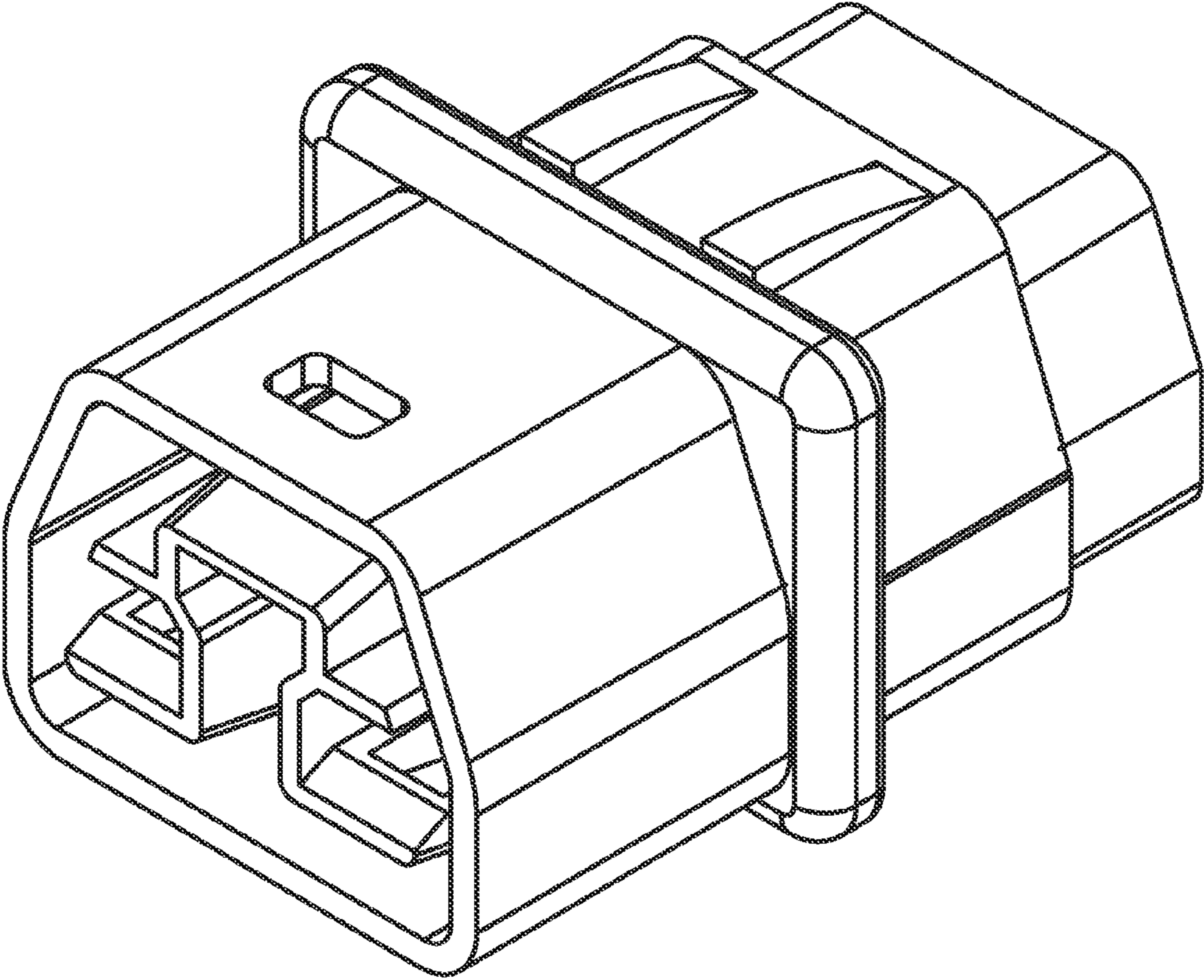


FIG. 21

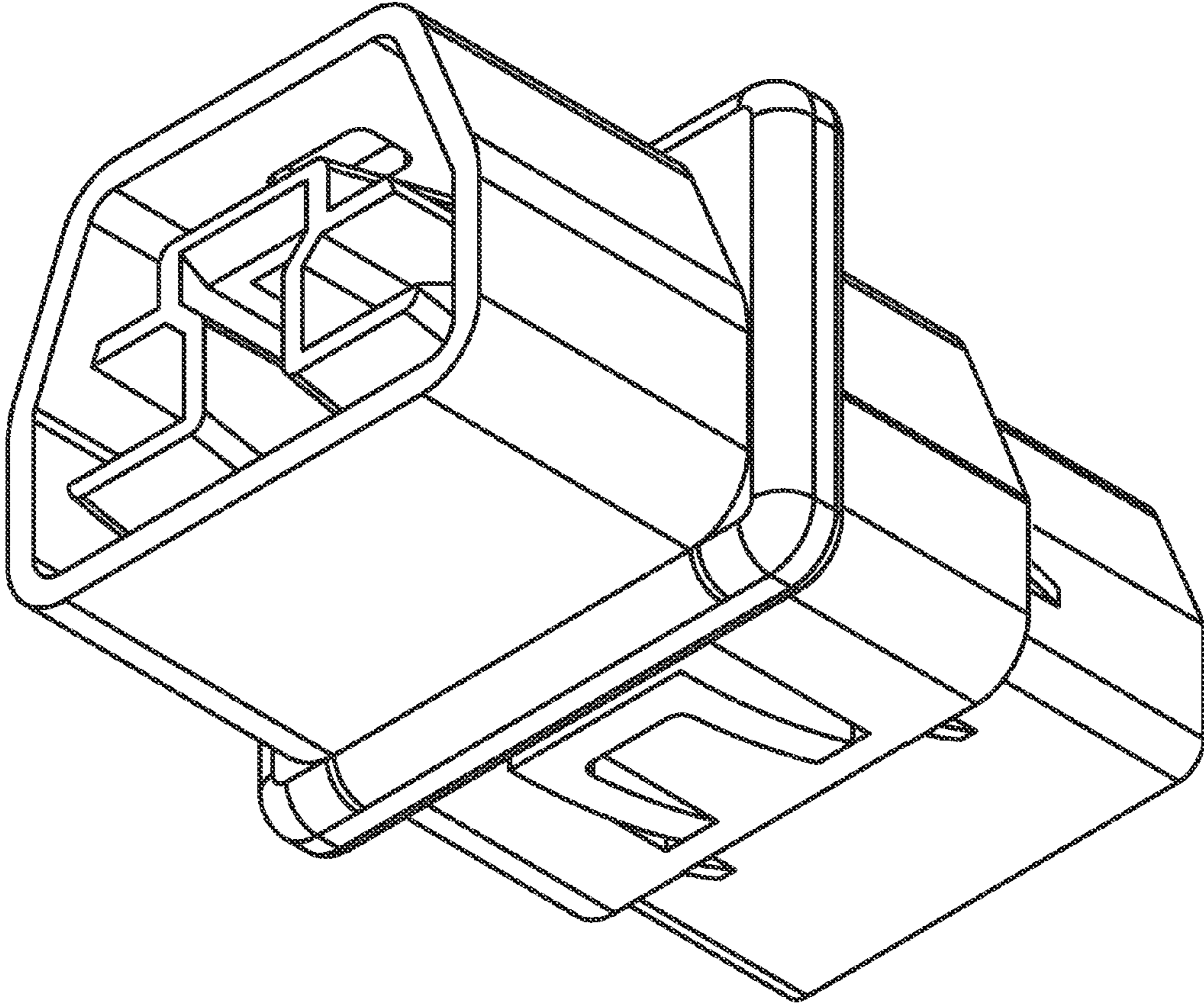


FIG. 22

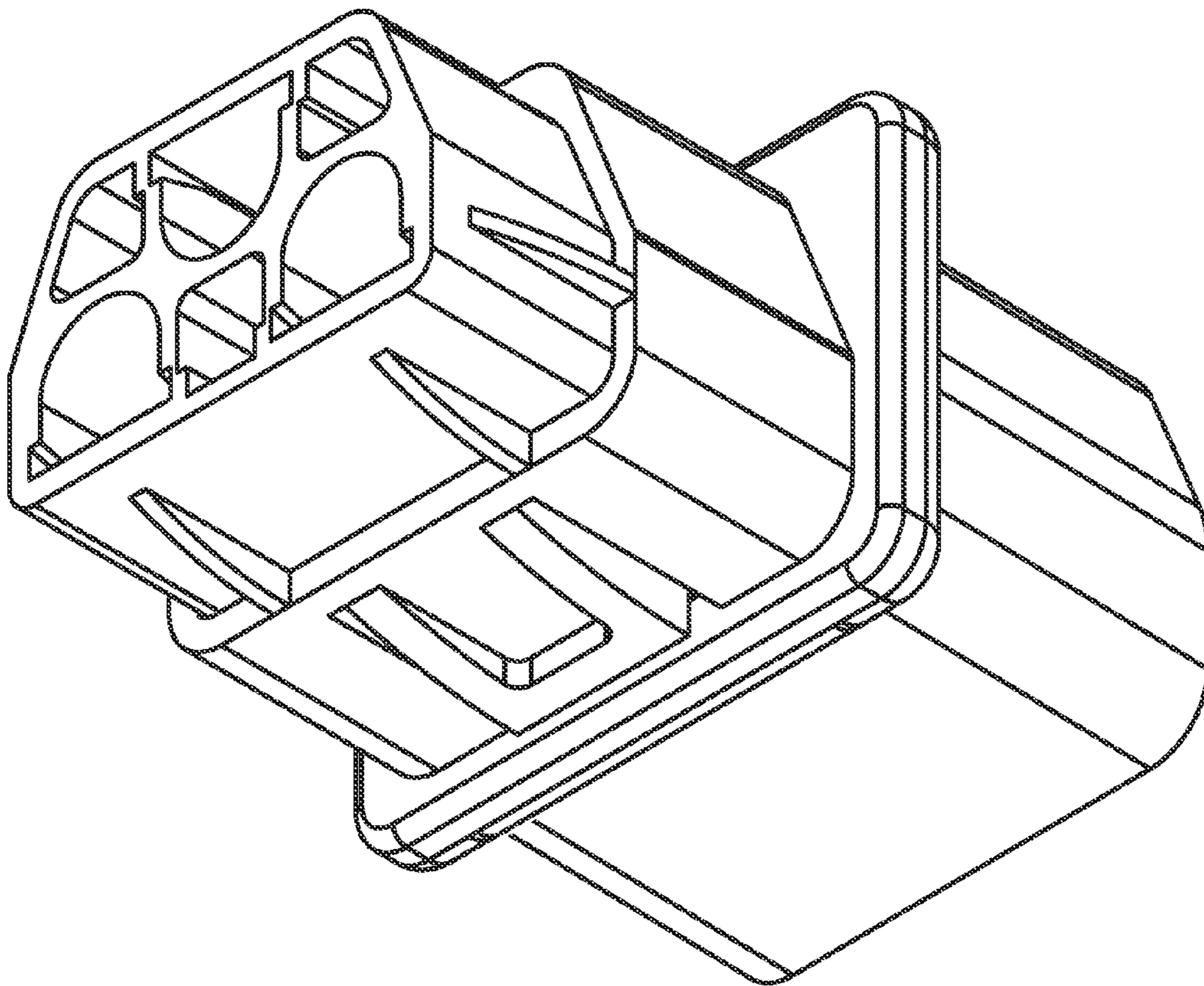


FIG. 23

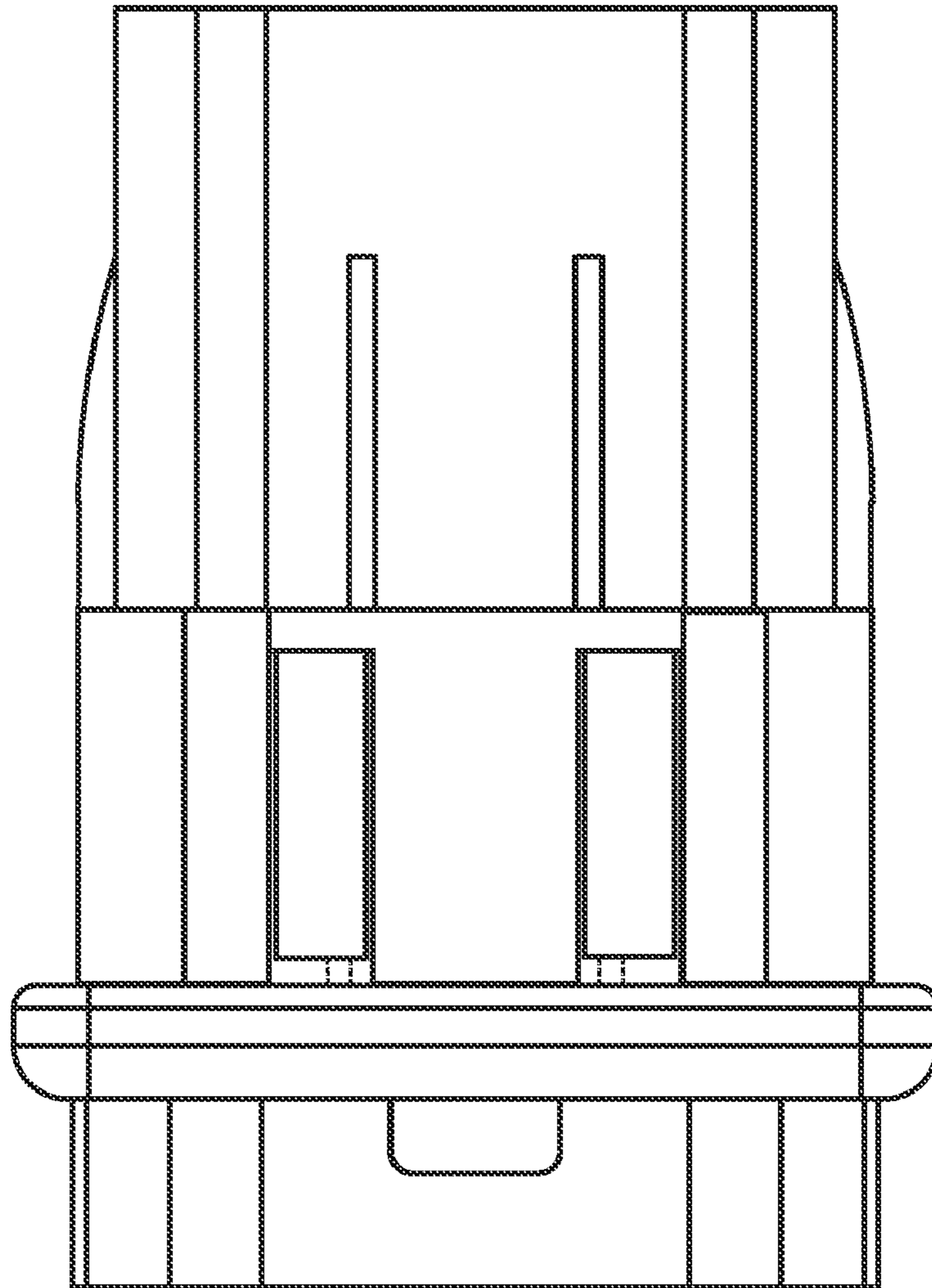


FIG. 24

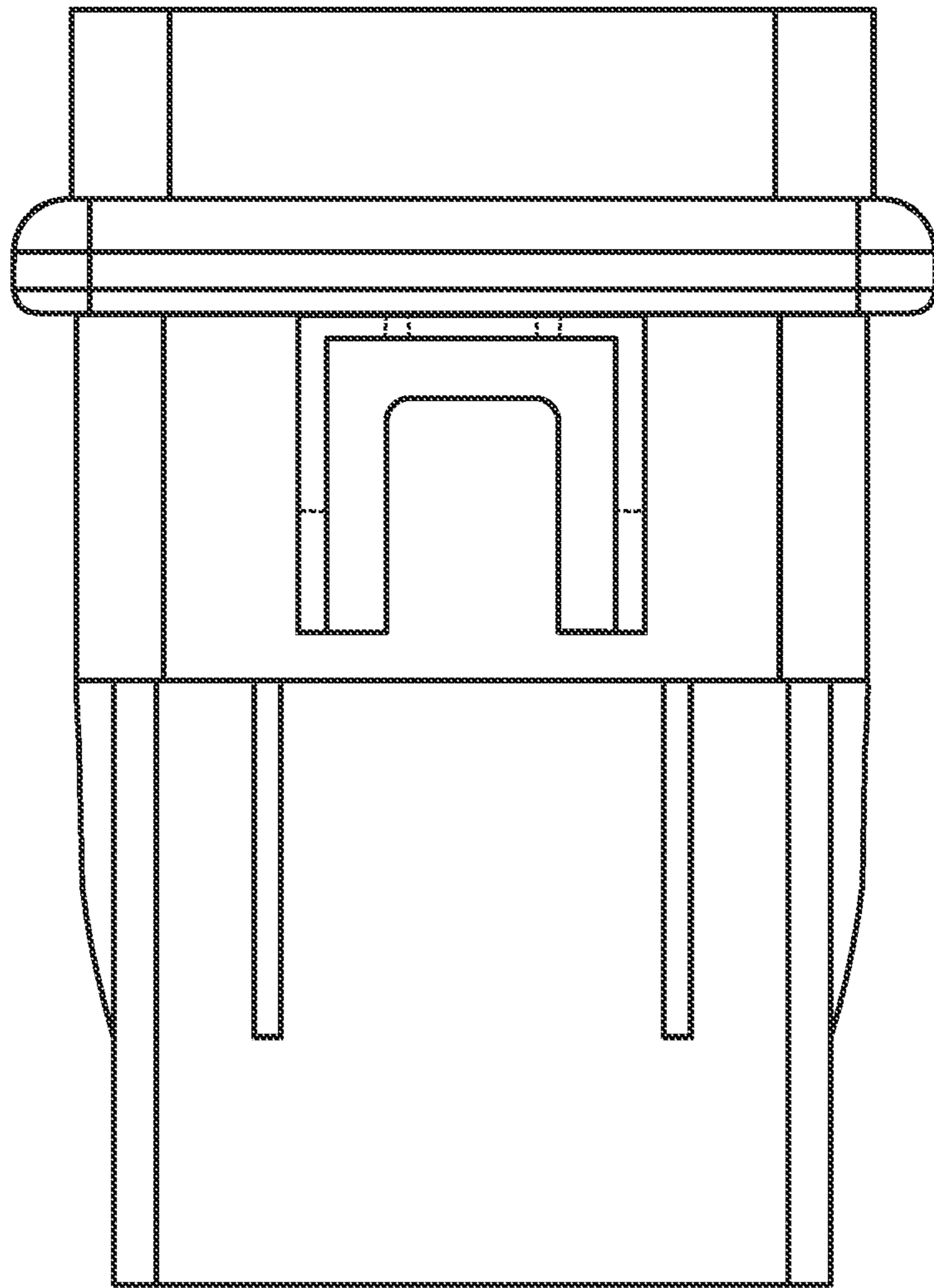


FIG. 25

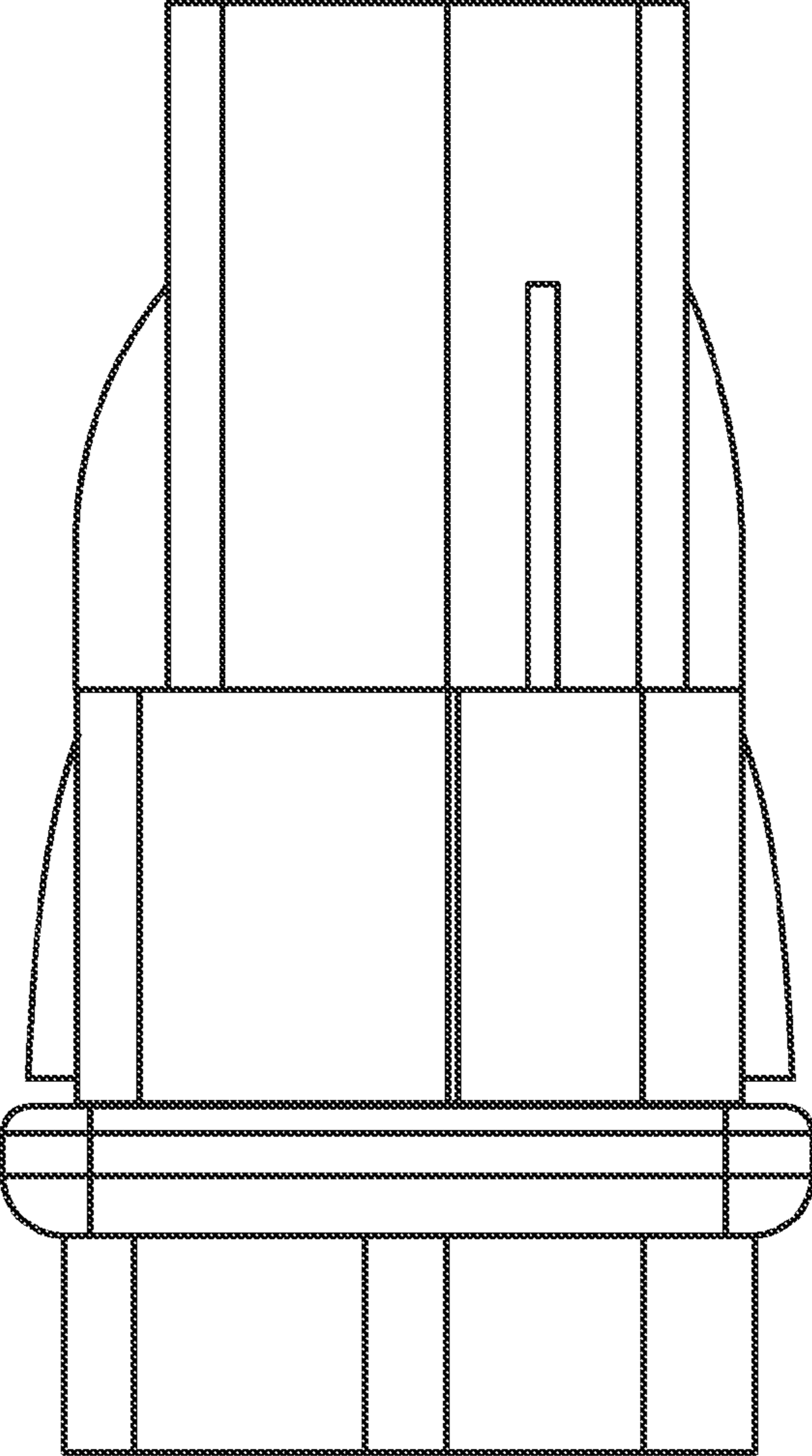


FIG. 26

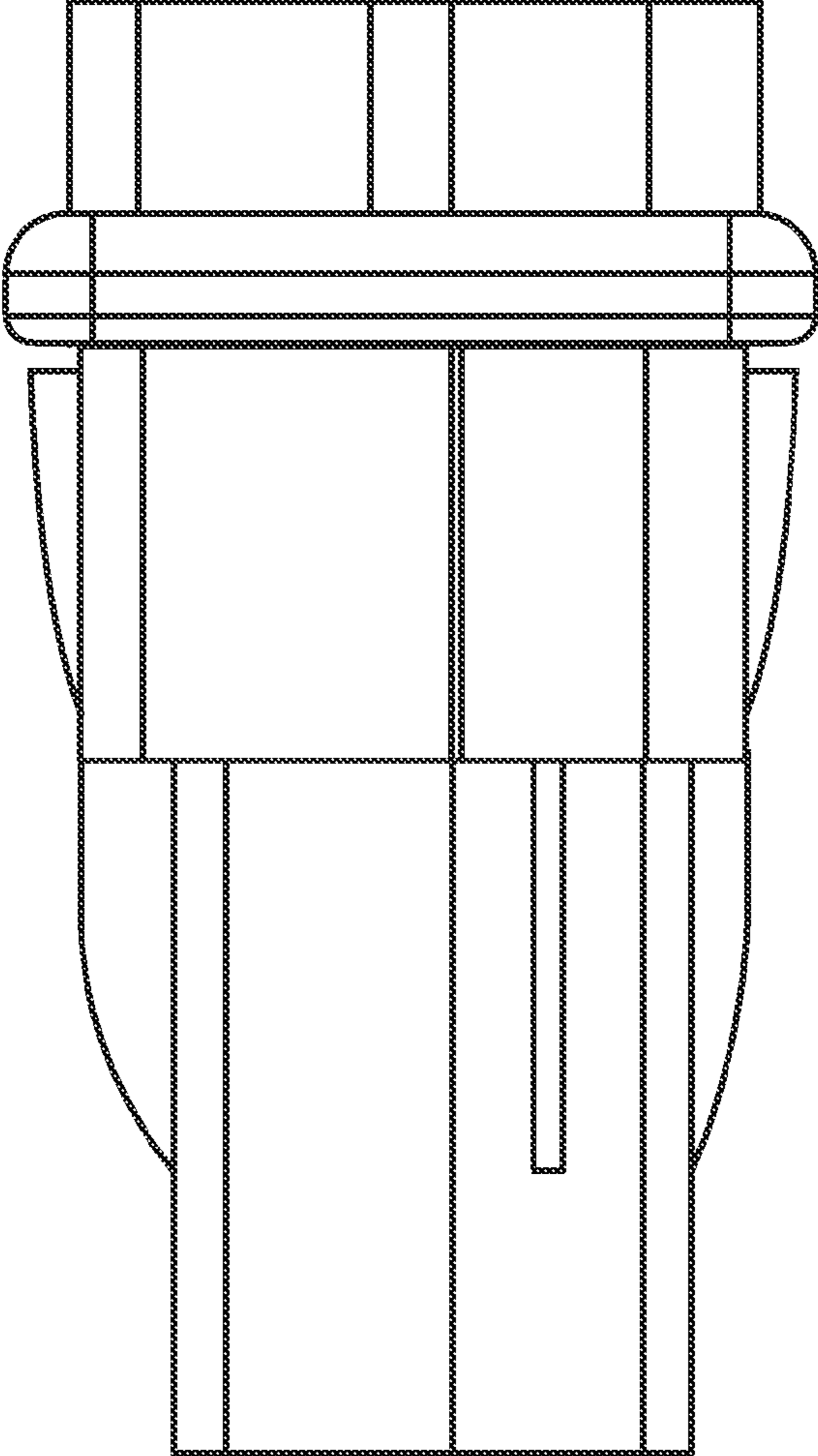


FIG. 27

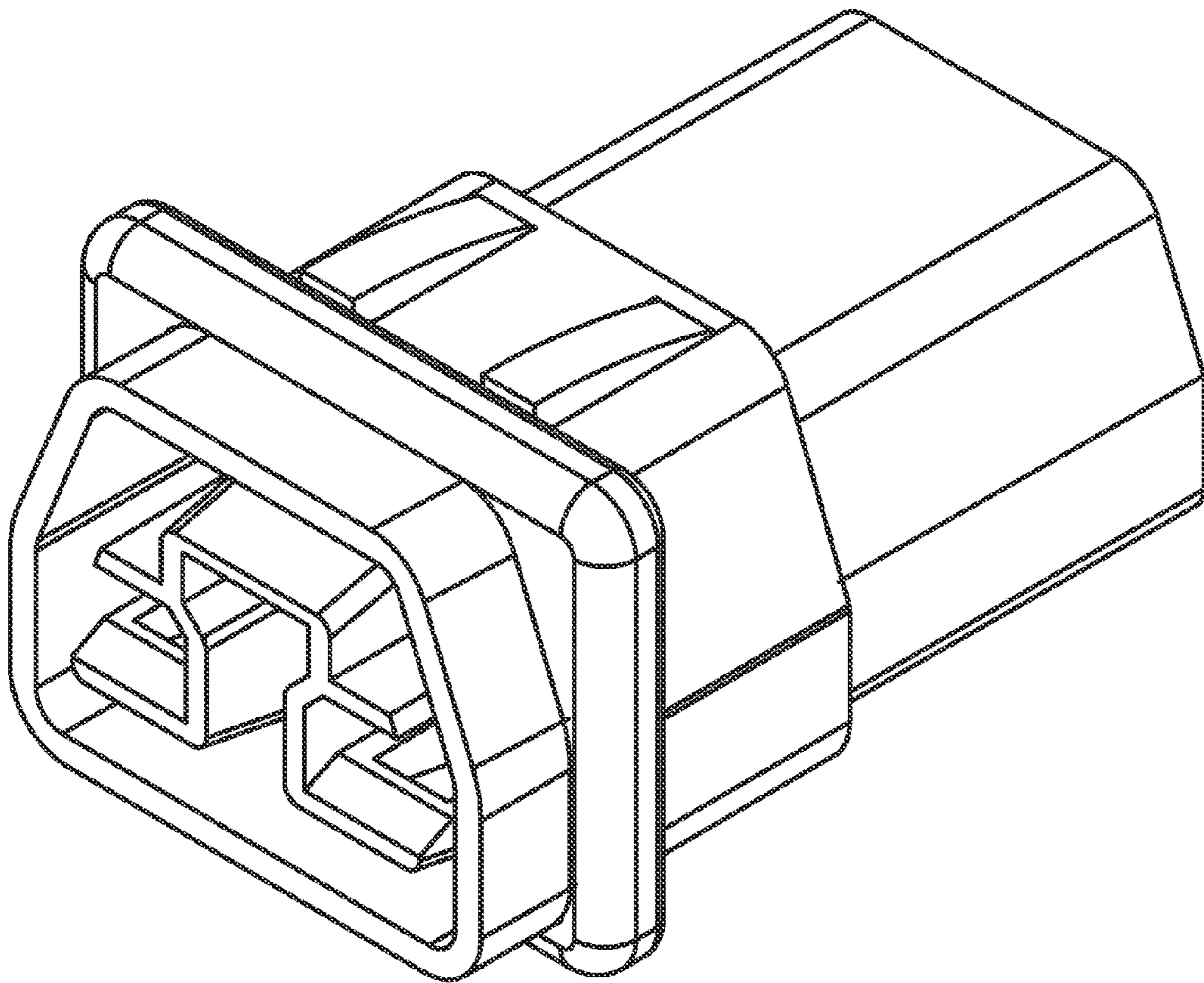


FIG. 28

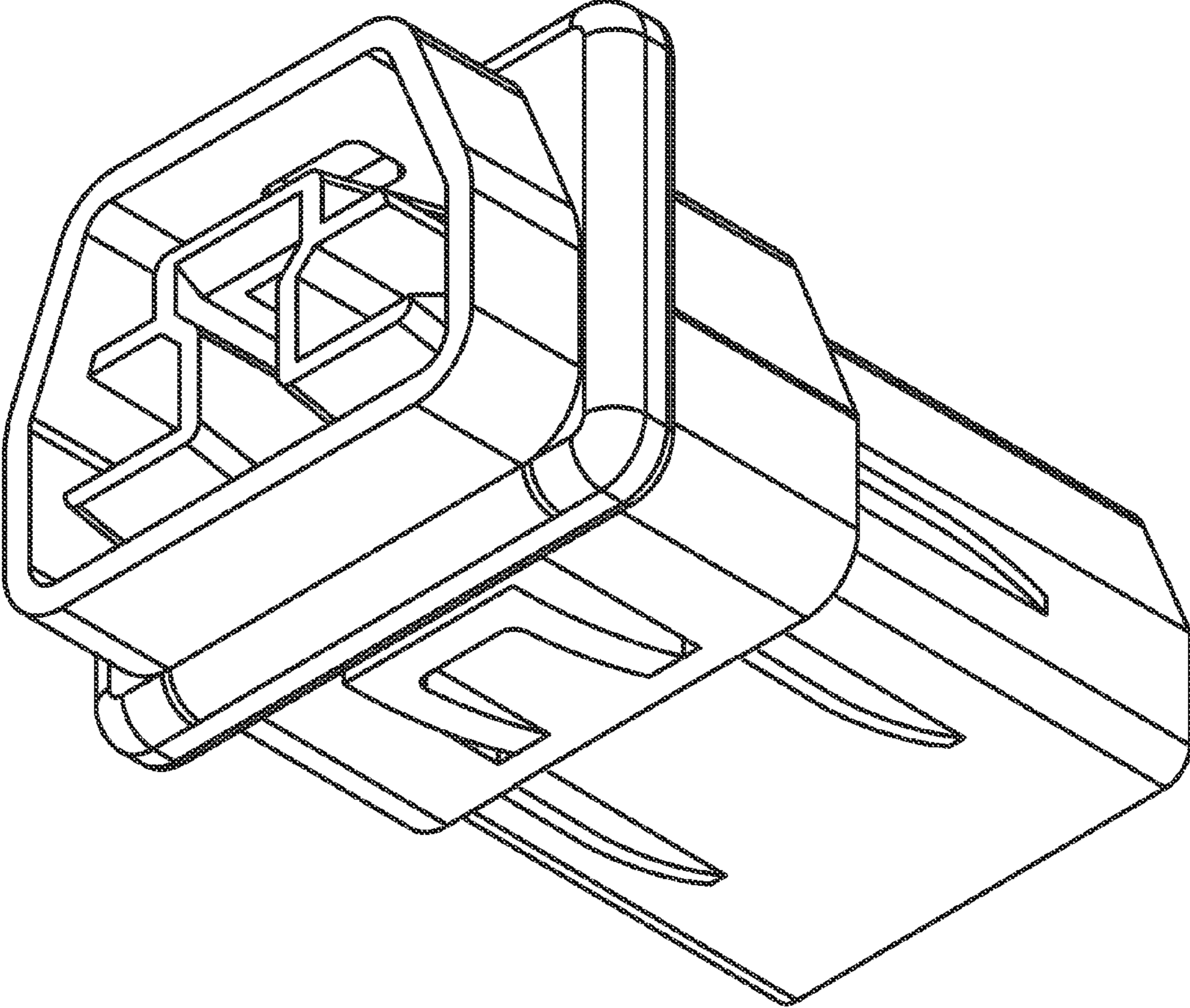


FIG. 29

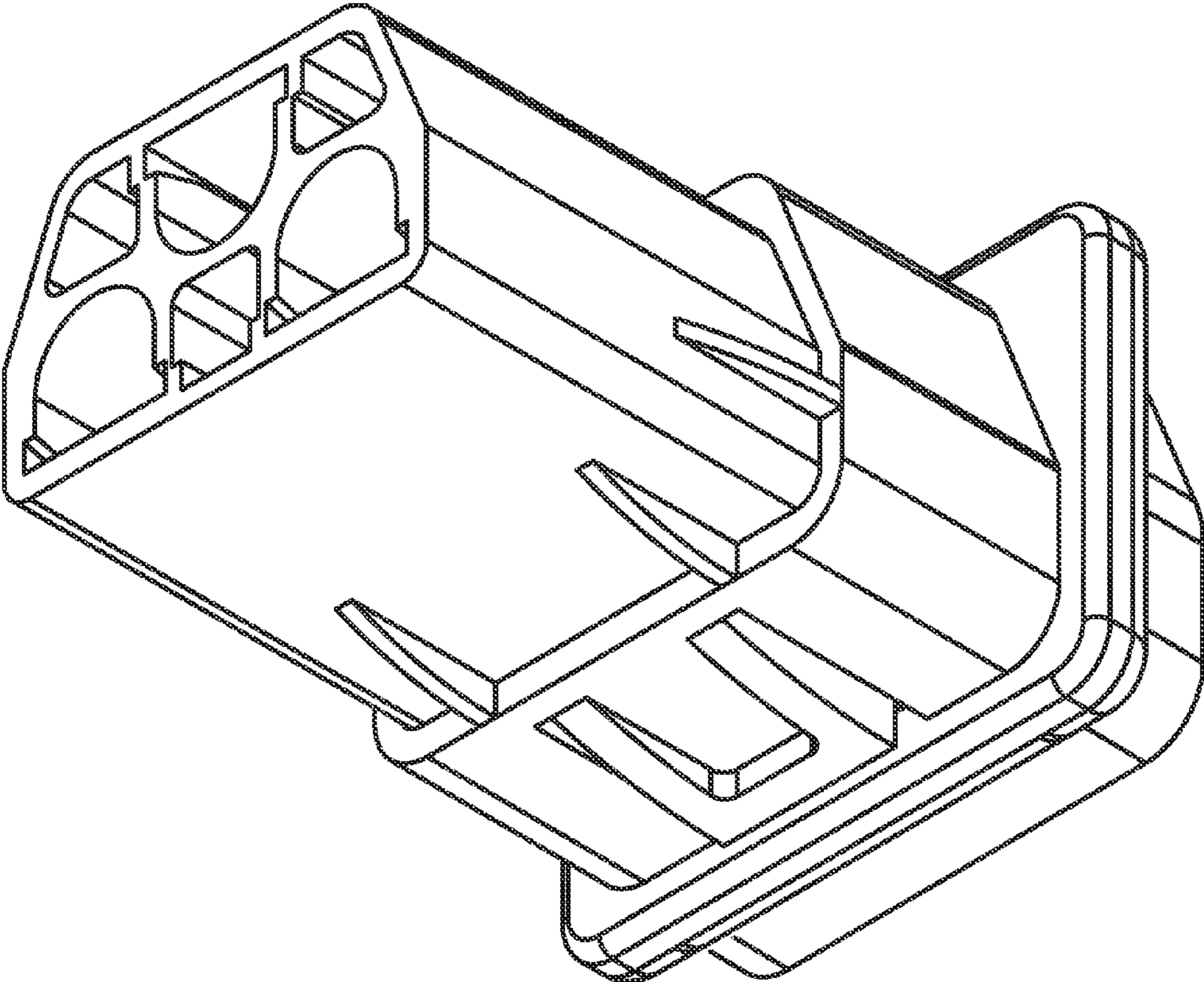


FIG. 30