



US00D626067S

(12) **United States Design Patent**
Seropjan

(10) **Patent No.:** **US D626,067 S**
(45) **Date of Patent:** **** Oct. 26, 2010**

(54) **GENERATOR**

(75) Inventor: **Mikhail Seropjan**, Moskau (RU)

(73) Assignee: **AKWA GmbH**, Frankfurt am Main (DE)

(**) Term: **14 Years**

(21) Appl. No.: **29/351,007**

(22) Filed: **Nov. 26, 2009**

(30) **Foreign Application Priority Data**

May 26, 2009 (EM) 001525577

(51) **LOC (9) Cl.** **13-01**

(52) **U.S. Cl.** **D13/116**

(58) **Field of Classification Search** D13/116,
D13/112, 114, 122, 184, 199; 290/1 A, 1 B;
307/68, 153; 310/43, 47, 50, 109; 322/1
See application file for complete search history.

(56) **References Cited**

U.S. PATENT DOCUMENTS

D314,743 S * 2/1991 Ishii D13/116
5,121,715 A * 6/1992 Nogami et al. 123/41.7
6,091,160 A * 7/2000 Kouchi et al. 290/1 A

D437,581 S * 2/2001 Aruga et al. D13/116
D437,825 S * 2/2001 Imai D13/116
D490,374 S * 5/2004 Amakawa et al. D13/112
D547,718 S * 7/2007 Helgeson et al. D13/116

* cited by examiner

Primary Examiner—Prabhakar Deshmukh
Assistant Examiner—Derrick Holland

(57) **CLAIM**

The ornamental design for generator, as shown and described.

DESCRIPTION

FIG. 1 is a perspective view of a generator showing my new design;

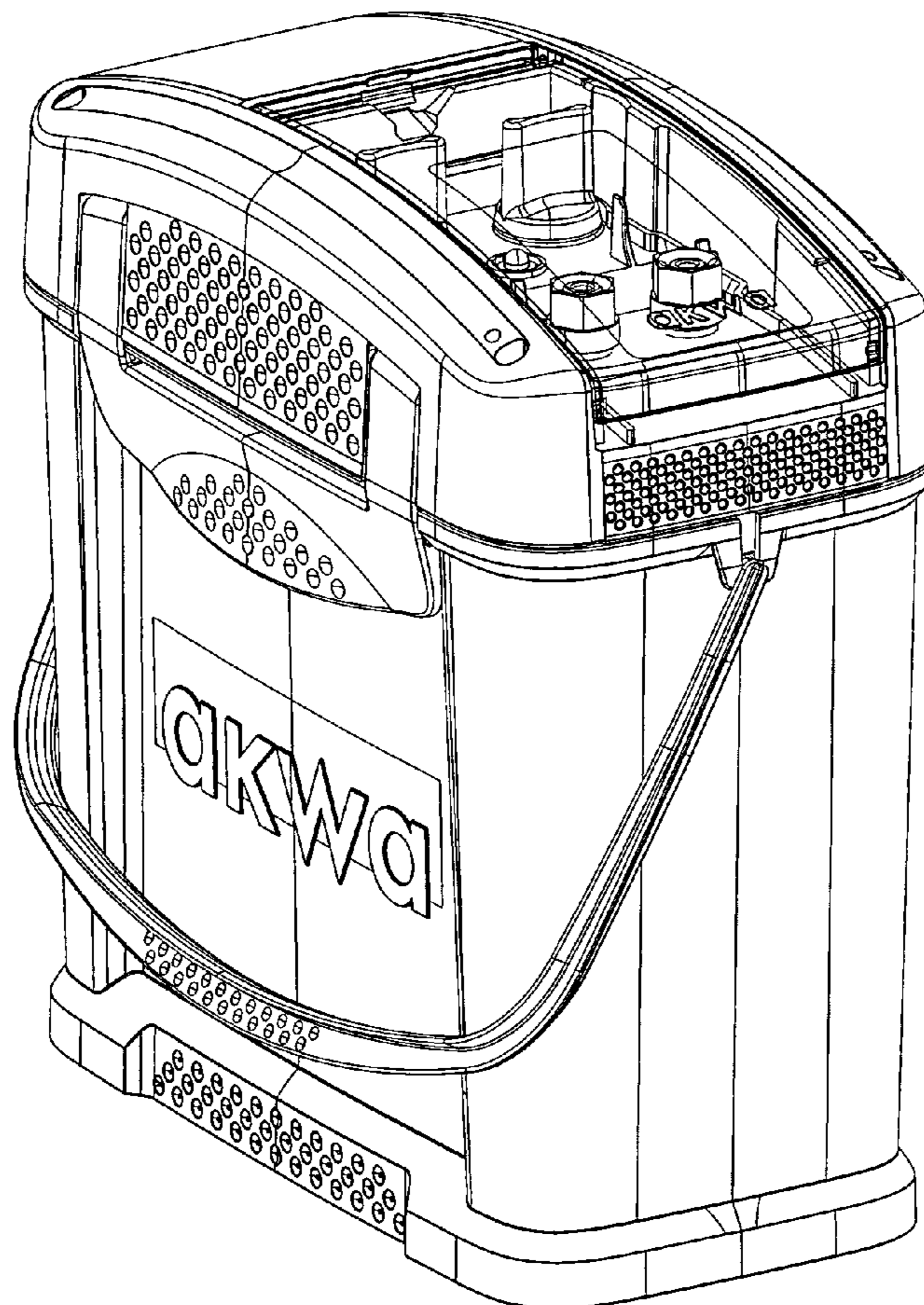
FIG. 2 is a top plan view thereof;

FIG. 3 is second perspective view thereof, shown in a separated condition; and,

FIG. 4 is a right-side elevation view thereof, shown in separated condition.

The “AKWA” trademark forming part of the claimed design is a trademark registered in Germany belonging to Mikhail Seropjan.

1 Claim, 4 Drawing Sheets



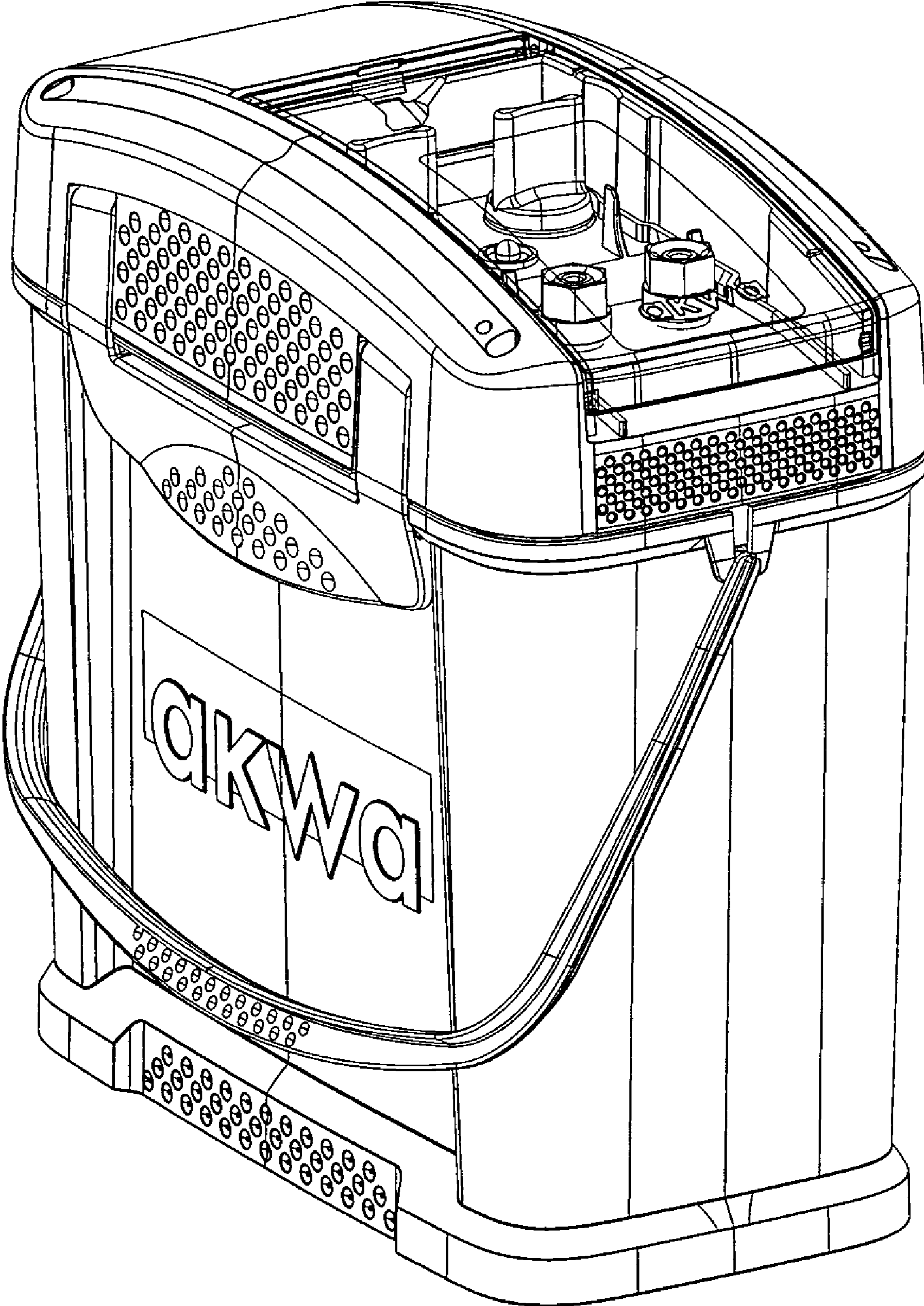


FIG. 1

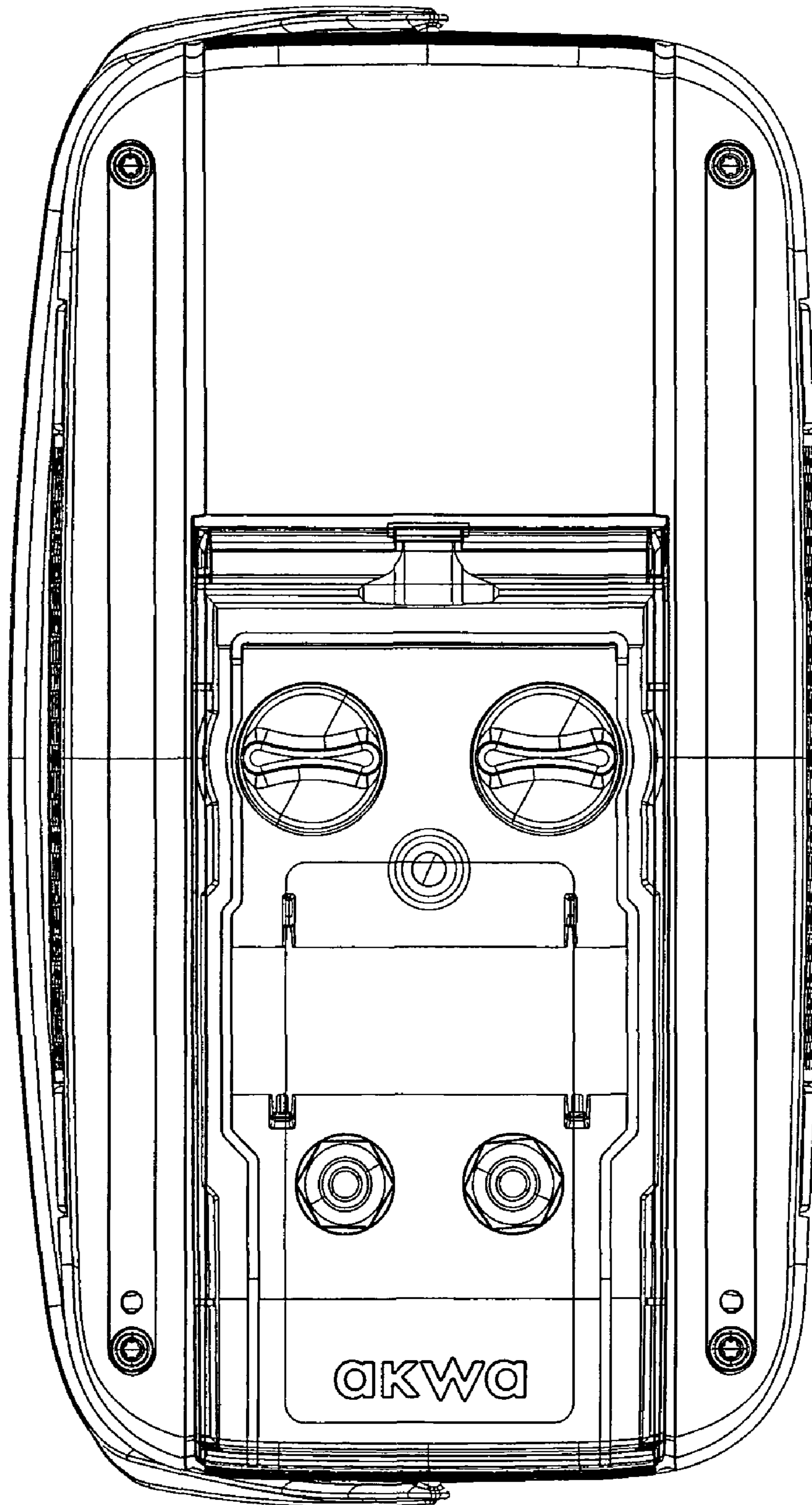


FIG. 2

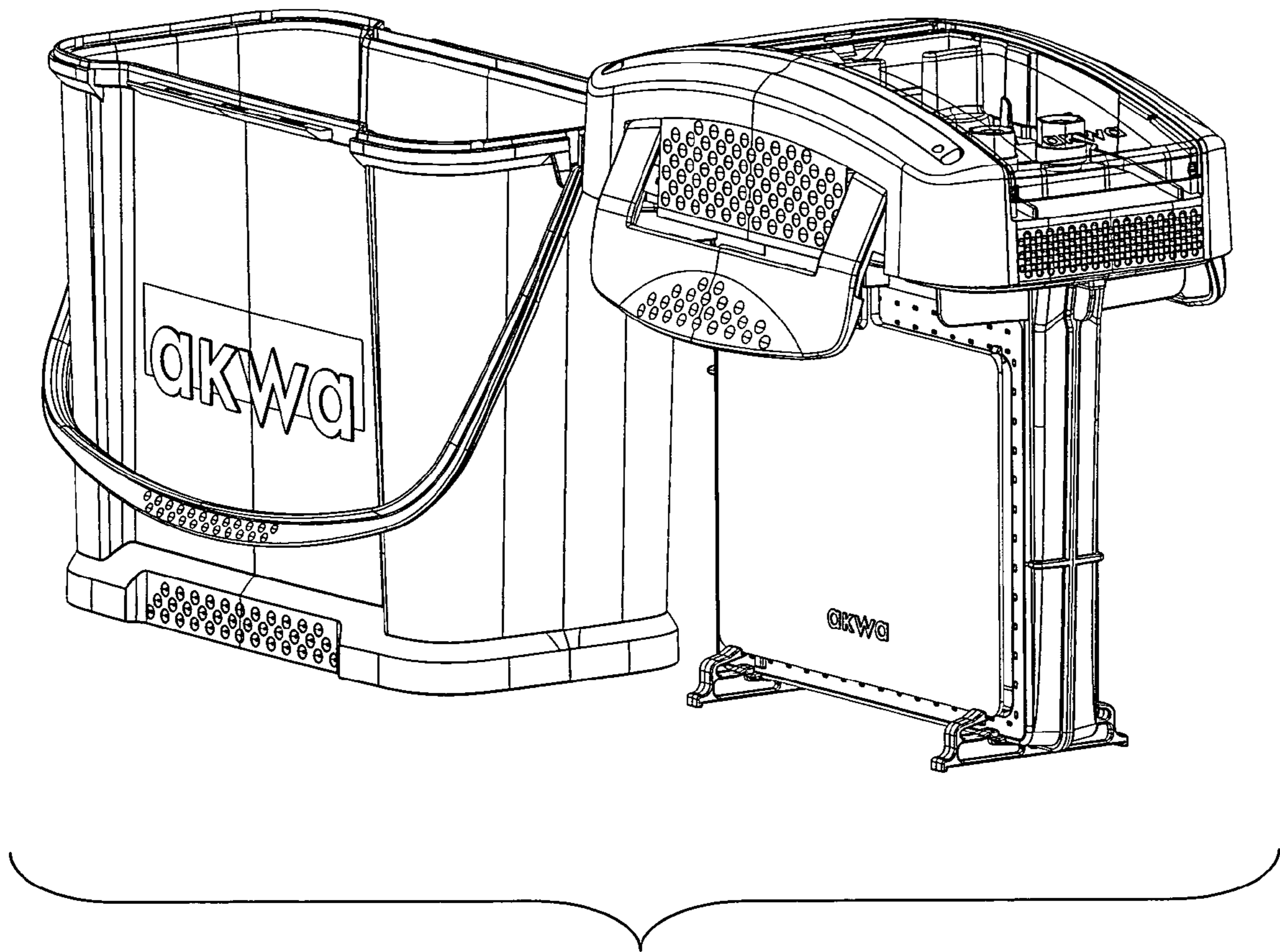


FIG. 3

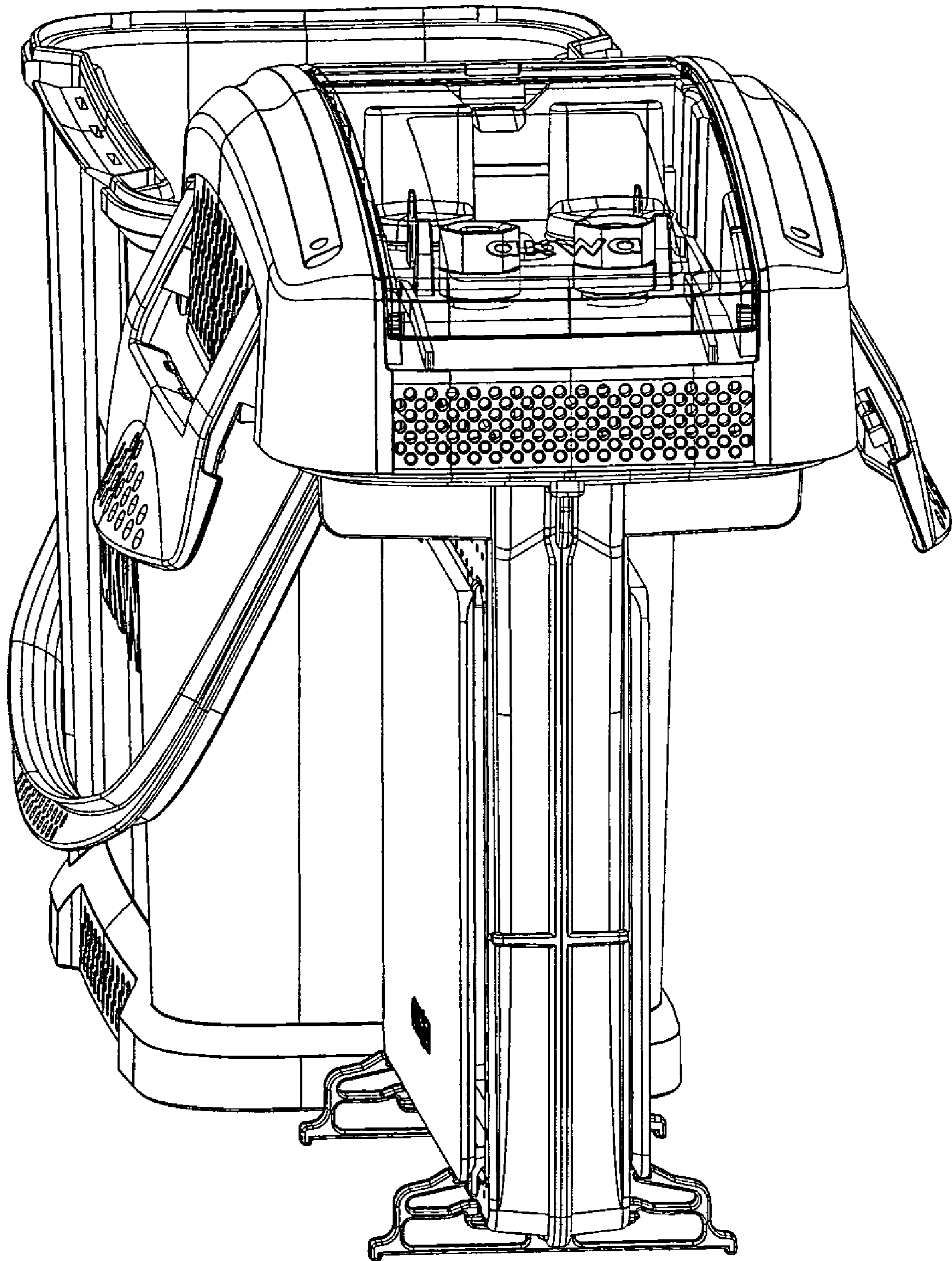


FIG. 4