



US00D626066S

(12) **United States Design Patent**  
**Liu et al.**

(10) **Patent No.:** **US D626,066 S**  
(45) **Date of Patent:** **\*\* Oct. 26, 2010**

(54) **UNINTERRUPTIBLE POWER SUPPLY**  
(75) Inventors: **Meng-Chang Liu**, Puli Township,  
Nantou County (TW); **Kyle Brookshire**,  
Belmont, MA (US); **Karl D. Langmuir**,  
Providence, RI (US)

D535,944 S 1/2007 Albano et al.  
D541,216 S 4/2007 Albano et al.  
D551,165 S 9/2007 Albano et al.  
D602,431 S 10/2009 Liu et al.  
D615,037 S 5/2010 Liu et al.

(73) Assignee: **American Power Conversion Corporation**, West Kingston, RI (US)

**FOREIGN PATENT DOCUMENTS**

TW 447920 7/2001

(\*\*) Term: **14 Years**

**OTHER PUBLICATIONS**

(21) Appl. No.: **29/360,582**

Taiwan Office Action for Design Patent Application No. 98304546 with IPO Search Report dated Apr. 9, 2010.  
Taiwan Office Action for Design Patent Application No. 98304549 with IPO Search Report dated Apr. 9, 2010.  
Taiwan Office Action for Design Patent Application No. 98304550 with IPO Search Report dated Apr. 9, 2010.  
Taiwan Office Action for Design Patent Application No. 98304551 with IPO Search Report dated Apr. 9, 2010.

(22) Filed: **Apr. 28, 2010**

**Related U.S. Application Data**

(62) Division of application No. 29/345,100, filed on Oct. 9, 2009, now Pat. No. Des. 615,037, which is a division of application No. 29/334,543, filed on Mar. 27, 2009, now Pat. No. Des. 602,431.

\* cited by examiner

(51) **LOC (9) Cl.** ..... **13-02**

*Primary Examiner*—Prabhakar Deshmukh

(52) **U.S. Cl.** ..... **D13/110**

*Assistant Examiner*—Derrick Holland

(58) **Field of Classification Search** ..... D13/110,  
D13/112, 118, 123, 184, 199; D14/188,  
D14/265, 354, 355; 174/50, 53; 361/600,  
361/601, 622, 679, 683

(74) *Attorney, Agent, or Firm*—Lando & Anastasi, LLP

See application file for complete search history.

(57) **CLAIM**

The ornamental design for an uninterruptible power supply, as shown and described.

(56) **References Cited**

**DESCRIPTION**

**U.S. PATENT DOCUMENTS**

D241,448 S \* 9/1976 Clowe ..... D14/361  
D314,174 S 1/1991 Wong  
D339,101 S \* 9/1993 Delamoreaux et al. .... D13/110  
D376,347 S 12/1996 Mousa  
5,793,627 A 8/1998 Caldes et al.  
D403,662 S 1/1999 Caldes et al.  
5,940,288 A 8/1999 Kociecki  
D462,658 S 9/2002 Reynolds  
D463,773 S \* 10/2002 Manganese et al. .... D13/118  
D475,681 S 6/2003 Ho  
D506,976 S 7/2005 Dechene et al.  
D511,137 S \* 11/2005 Tuomola et al. .... D13/110  
D514,076 S 1/2006 Albano et al.

FIG. 1 is a perspective view of an uninterruptible power supply showing our new design;

FIG. 2 is a front elevation view thereof;

FIG. 3 is a rear elevation view thereof;

FIG. 4 is a right side elevation view thereof;

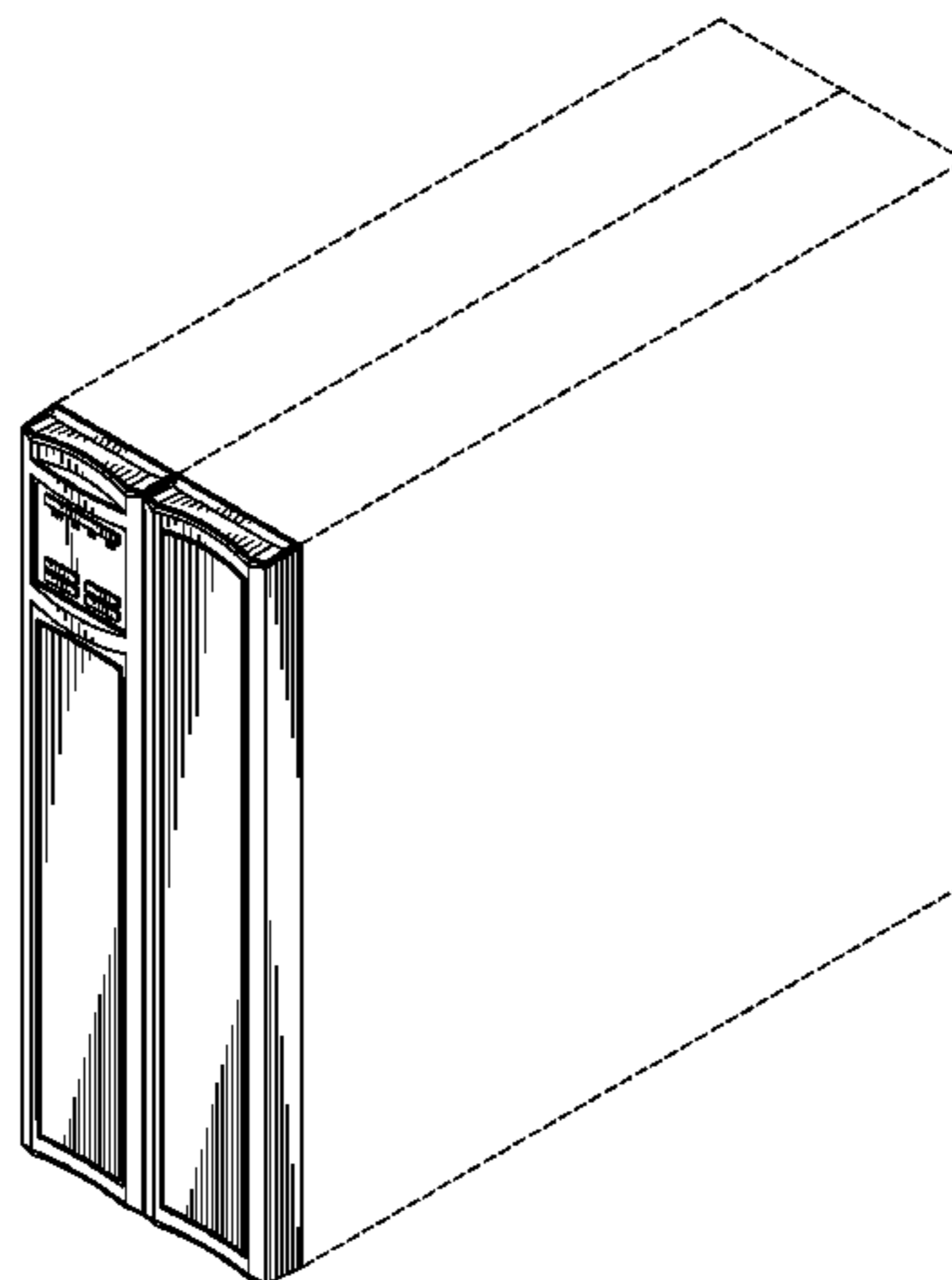
FIG. 5 is a left side elevation view thereof;

FIG. 6 is a top plan view thereof; and,

FIG. 7 is a bottom plan view thereof.

The broken lines shown represent unclaimed subject matter and form no part of the claimed design.

**1 Claim, 6 Drawing Sheets**



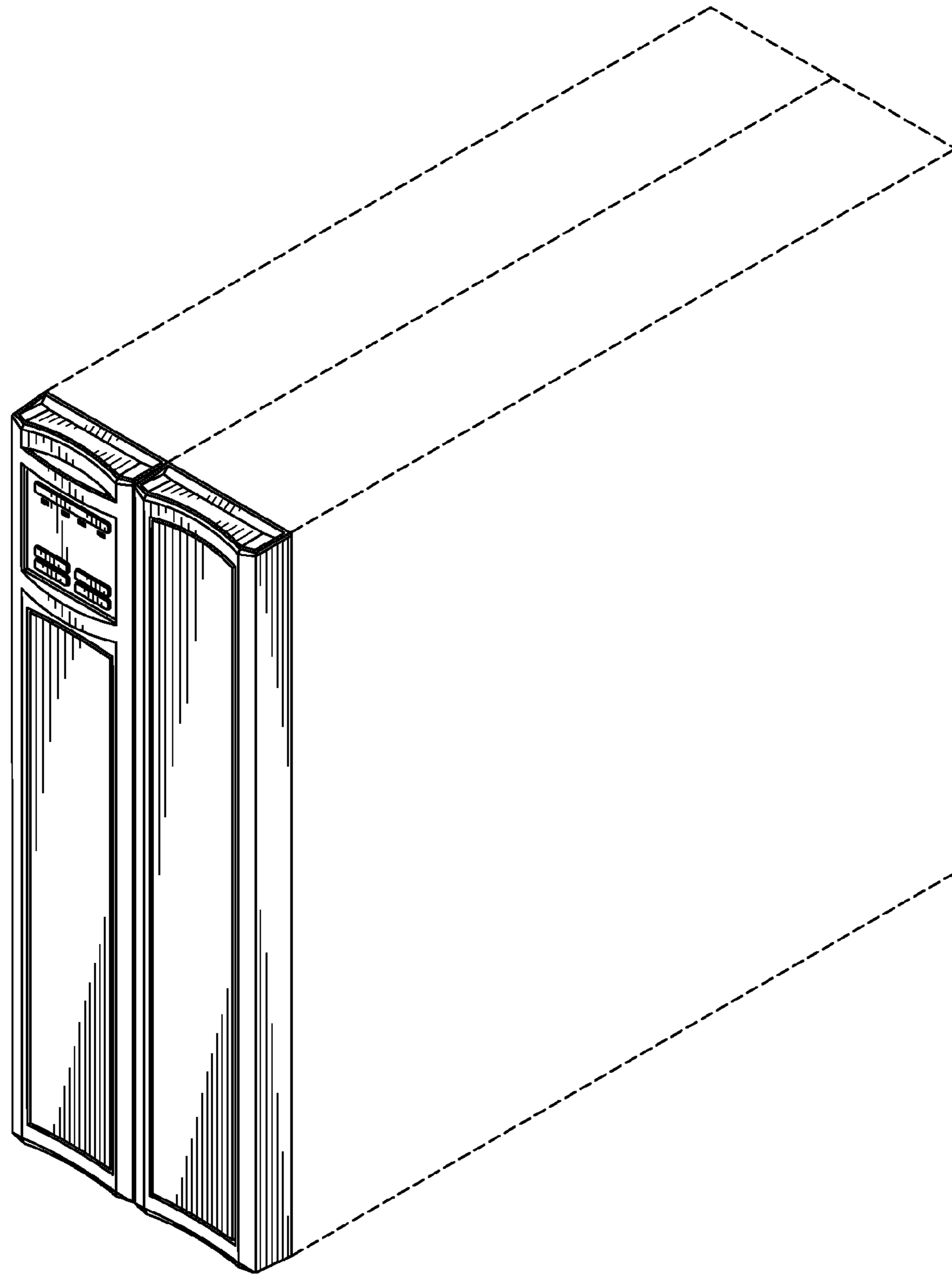


FIG. 1

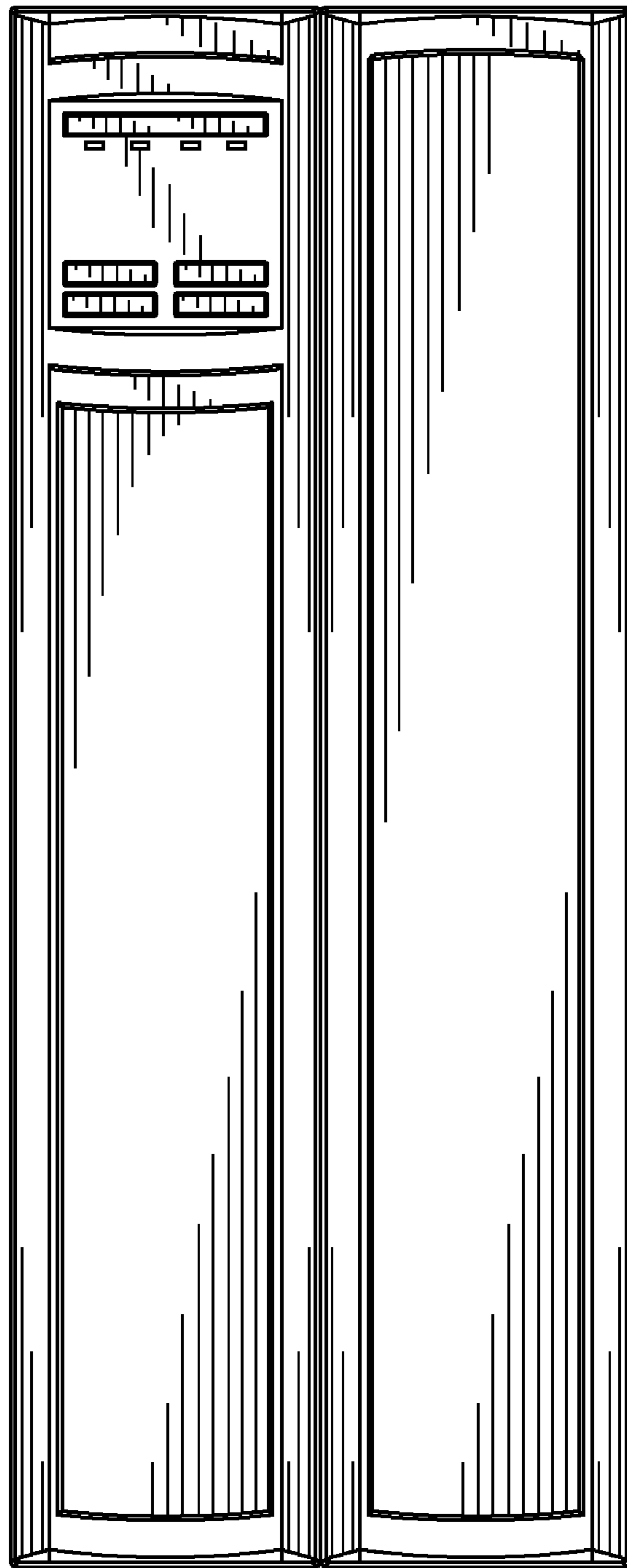


FIG. 2

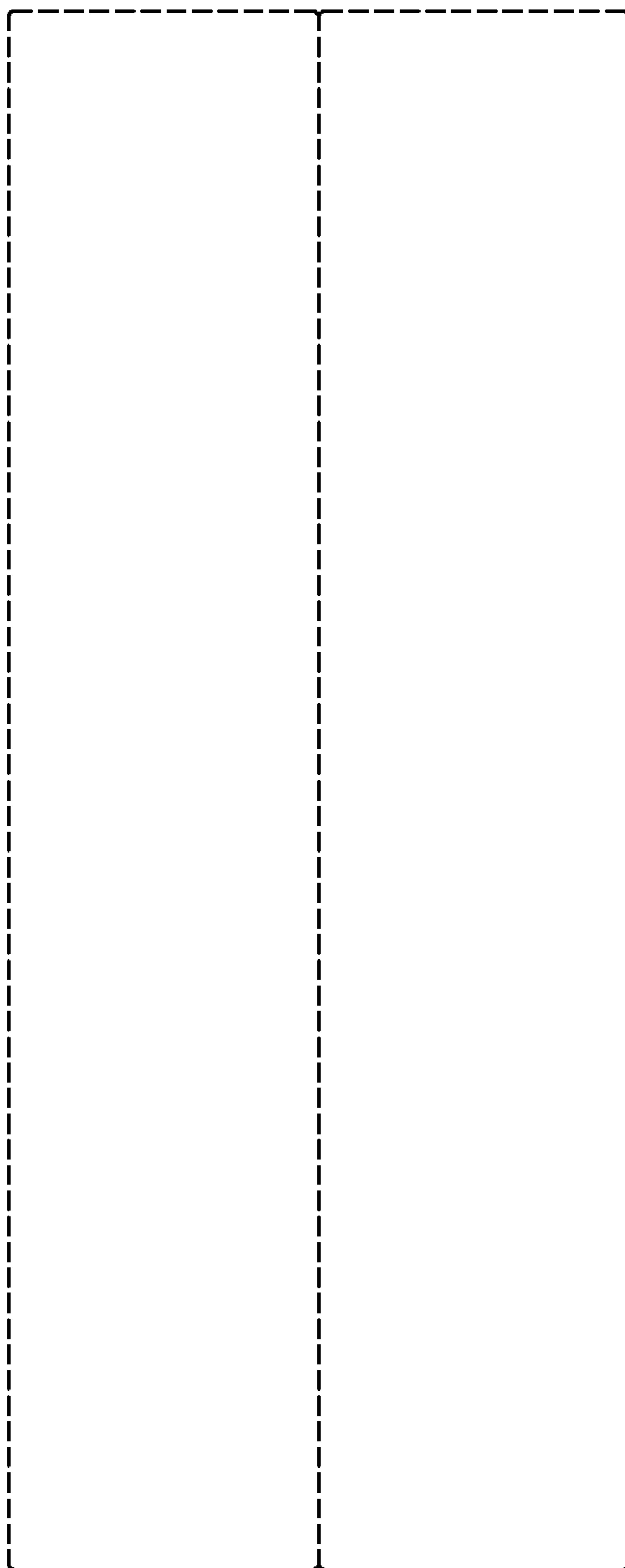


FIG. 3

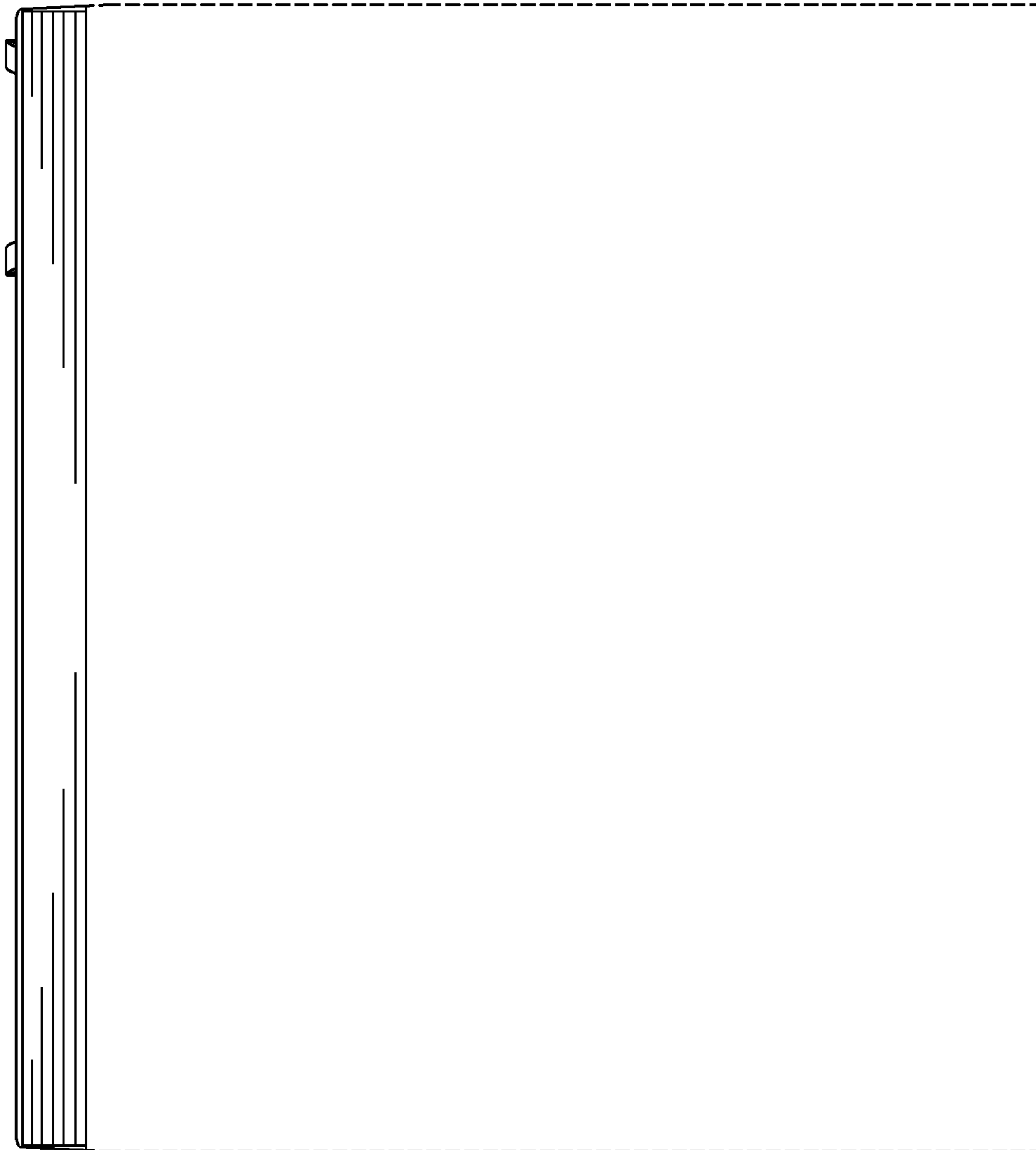


FIG. 4

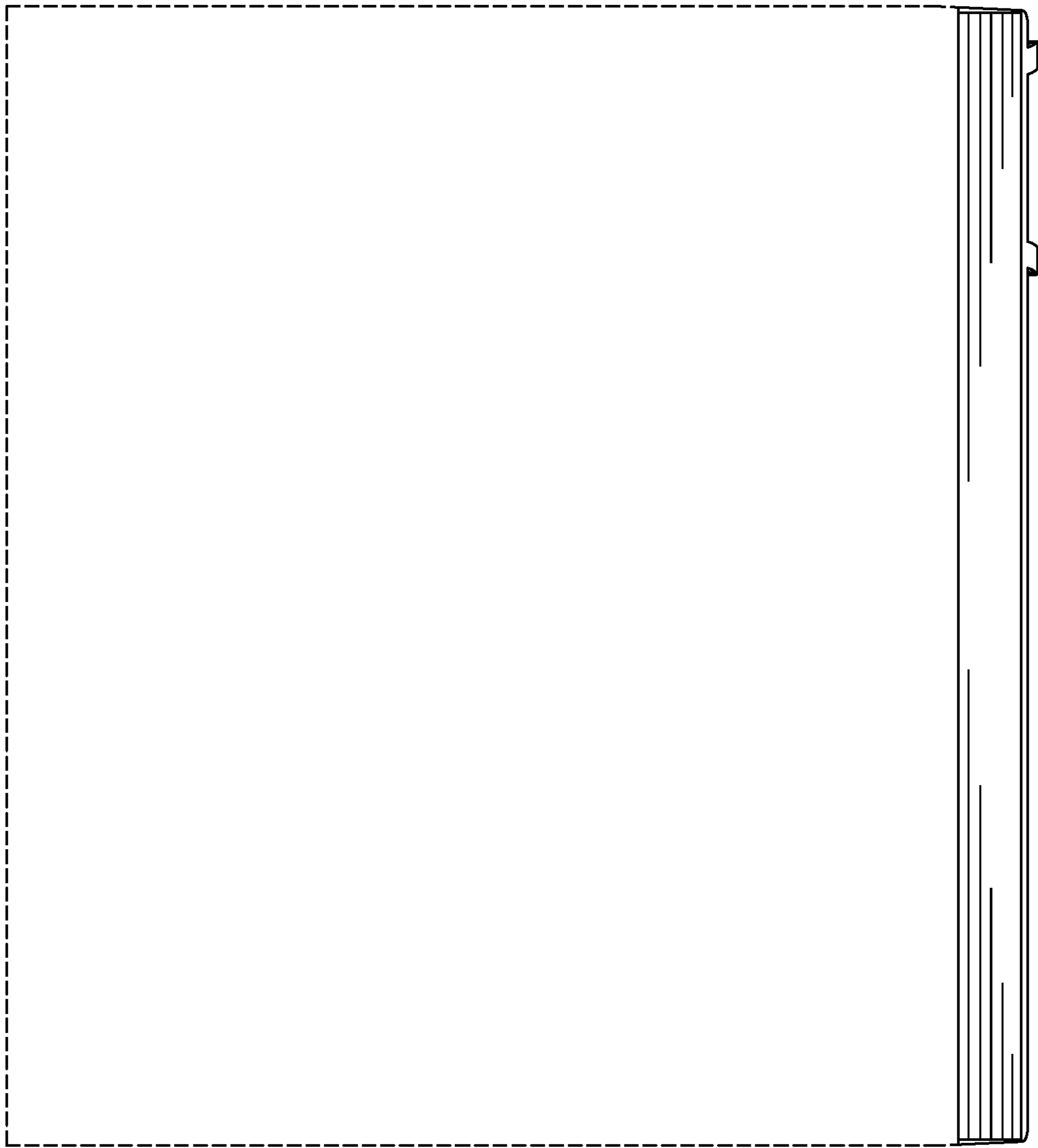


FIG. 5

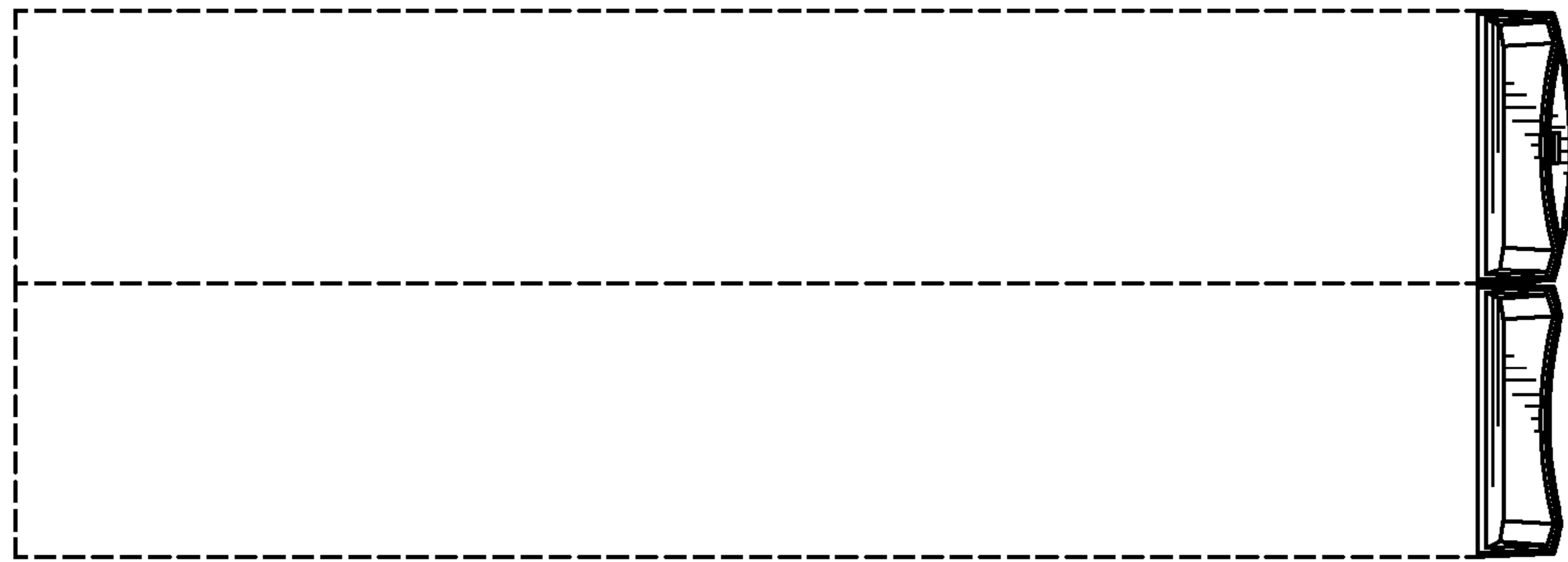


FIG. 6

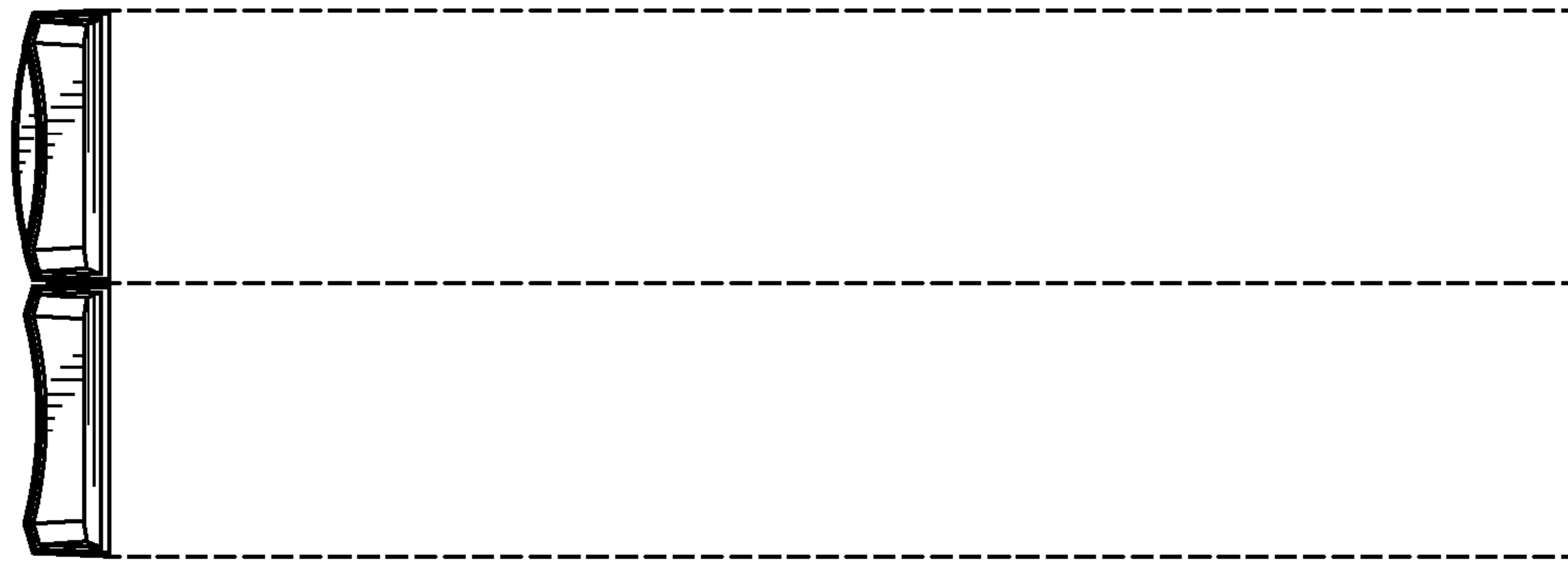


FIG. 7