



US00D626063S

(12) **United States Design Patent**  
**Cutter et al.**

(10) **Patent No.:** **US D626,063 S**

(45) **Date of Patent:** **\*\* Oct. 26, 2010**

(54) **ELECTRIC VEHICLE CHARGING STATION**

(75) Inventors: **Brian Cutter**, Orinda, CA (US); **David Gustafson**, Sacramento, CA (US); **Howard Nuk**, San Francisco, CA (US); **Jonathan Rowell**, San Francisco, CA (US)

(73) Assignee: **ECotality, Inc.**, San Francisco, CA (US)

(\*\*) Term: **14 Years**

(21) Appl. No.: **29/363,233**

(22) Filed: **Jun. 7, 2010**

(51) **LOC (9) Cl.** ..... **13-02**

(52) **U.S. Cl.** ..... **D13/107**

(58) **Field of Classification Search** ..... D13/107-110,  
D13/118-119, 139.5, 184; D14/251, 253,  
D14/432, 434, 435.1; 320/107-115  
See application file for complete search history.

(56) **References Cited**

**U.S. PATENT DOCUMENTS**

D257,882 S \* 1/1981 Rawson et al. .... D24/186  
D280,317 S \* 8/1985 Boyd et al. .... D13/103

5,461,299 A \* 10/1995 Bruni ..... 320/108  
6,459,234 B2 \* 10/2002 Kajiura ..... 320/109  
D535,613 S \* 1/2007 Varalo et al. .... D13/108  
D556,678 S \* 12/2007 Weinstein et al. .... D13/103  
7,746,029 B2 \* 6/2010 Toya ..... 320/107

\* cited by examiner

*Primary Examiner*—Rosemary K Tarca

(74) *Attorney, Agent, or Firm*—Hartman Law PLC; Joseph W. Mott

(57) **CLAIM**

The ornamental design for an electric vehicle charging station, as shown and described.

**DESCRIPTION**

FIG. 1 is a perspective view of a electric vehicle charging station showing my new design.

FIG. 2 is a front elevational view thereof.

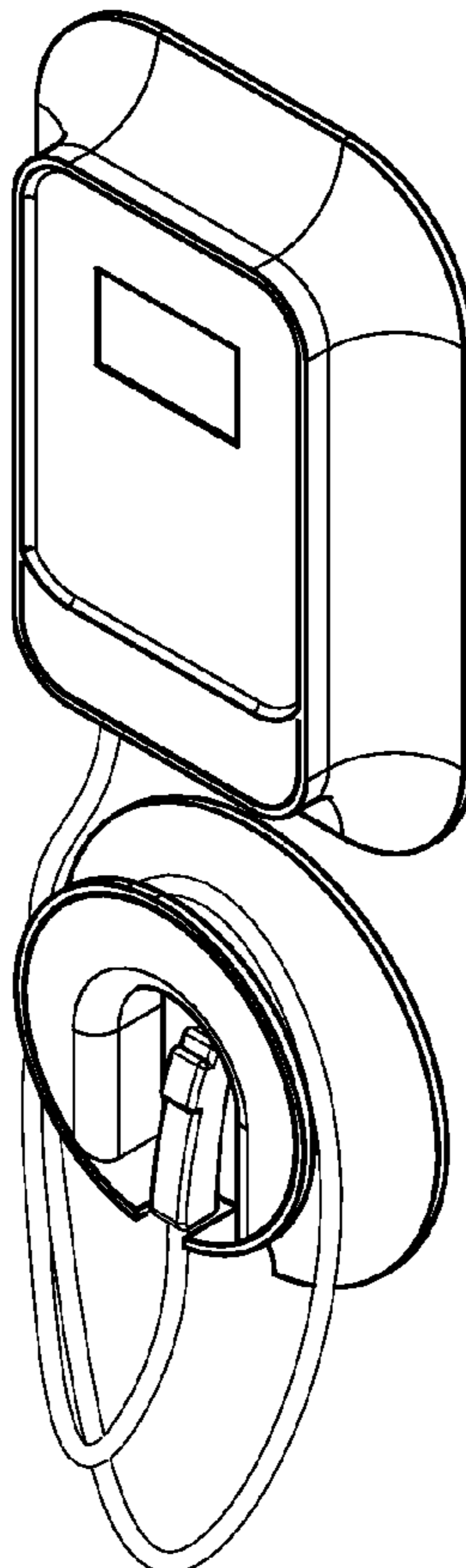
FIG. 3 is a top plan view thereof.

FIG. 4 is a left side elevational view thereof; and,

FIG. 5 is a right side elevational view thereof.

The back of the electric vehicle charging station is flat and unornamented.

**1 Claim, 2 Drawing Sheets**



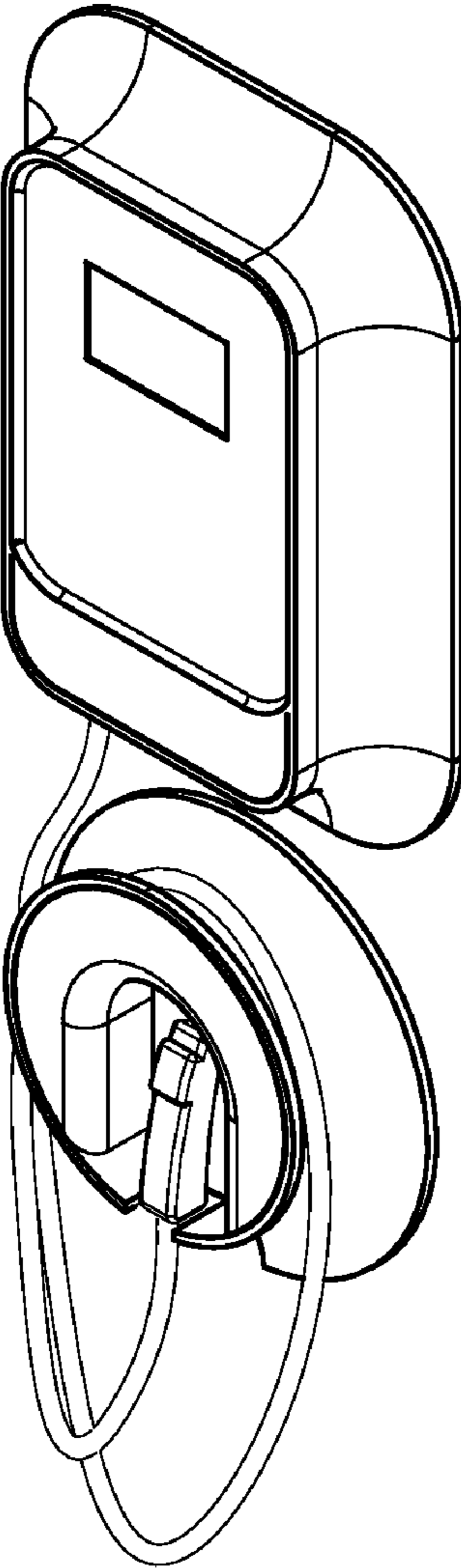


FIG. 1

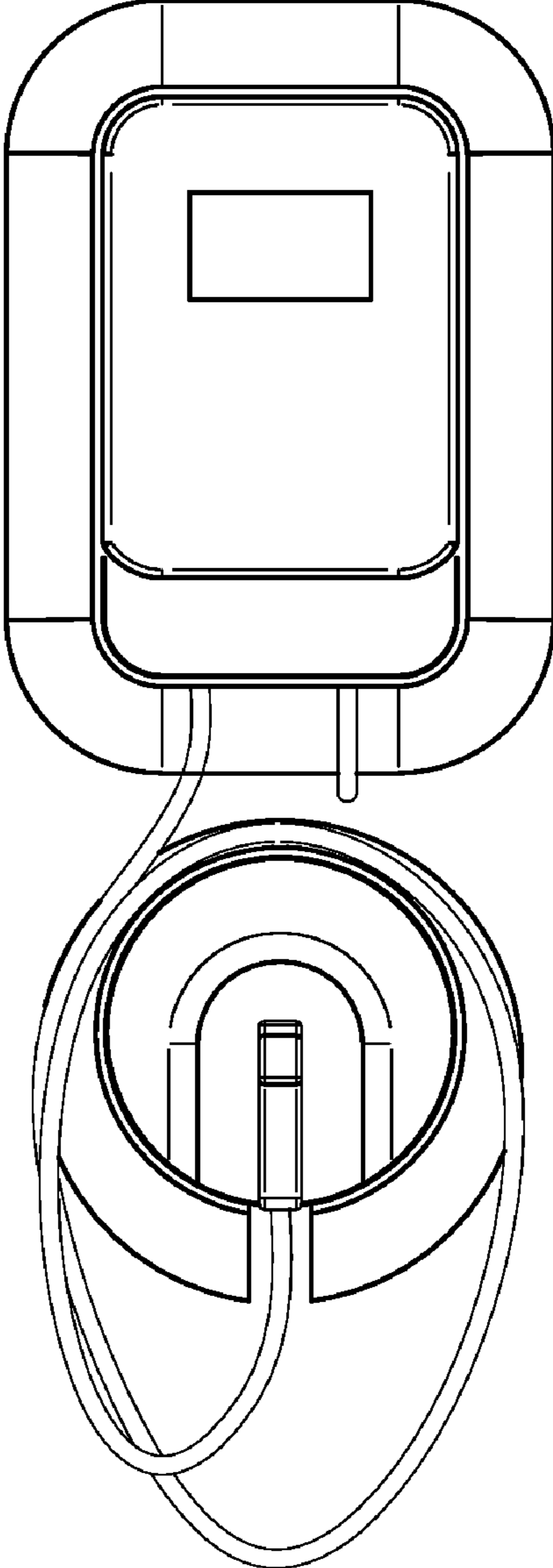


FIG. 2

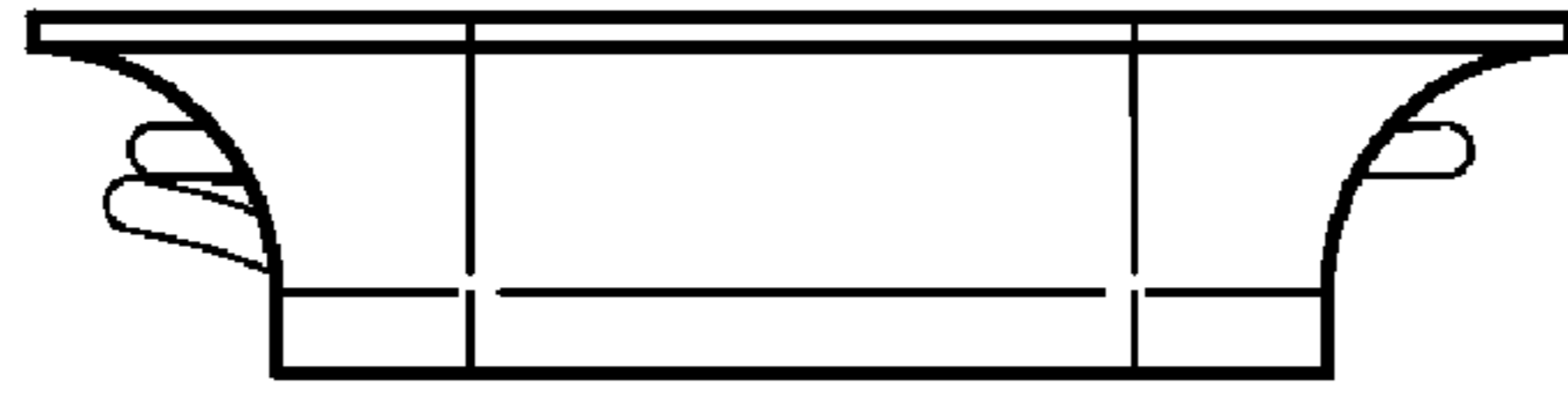


FIG. 3



FIG. 4



FIG. 5