



US00D626062S

(12) **United States Design Patent**  
**Giddens**

(10) **Patent No.:** **US D626,062 S**

(45) **Date of Patent:** **\*\* Oct. 26, 2010**

(54) **CARGO BOX WITH DOUBLE BEVEL LID**

(75) Inventor: **Jimmy Giddens**, Perry, FL (US)

(73) Assignee: **Thule Sweden AB**, Hillerstorp (SE)

(\*\*) Term: **14 Years**

(21) Appl. No.: **29/346,381**

(22) Filed: **Oct. 30, 2009**

(51) **LOC (9) Cl.** ..... **12-99**

(52) **U.S. Cl.** ..... **D12/414.1**

(58) **Field of Classification Search** ..... D12/401-414,  
D12/414.1, 89-93, 16, 96-100; D21/433-434,  
D21/548, 552, 559, 561; D25/38, 43; D6/552,  
D6/513, 567; 135/88.01, 95; 150/165-167,  
150/158; 160/32, 26; 280/770; 296/136.01,  
296/190.08, 190.01-190.02, 114-116, 77.1,  
296/100.01-100.06, 98

See application file for complete search history.

(56) **References Cited**

**U.S. PATENT DOCUMENTS**

D403,654 S \* 1/1999 Houry ..... D12/414.1  
6,502,868 B1 \* 1/2003 Laspa et al. .... 292/26  
D488,428 S \* 4/2004 Greene ..... D12/414.1  
D535,936 S \* 1/2007 Greene ..... D12/414.1  
D540,737 S \* 4/2007 Bogard ..... D12/414.1  
7,416,228 B2 \* 8/2008 Pfitzinger et al. .... 292/216  
D597,019 S \* 7/2009 Zarza ..... D12/414.1  
D601,078 S \* 9/2009 Devereux ..... D12/406  
2001/0032848 A1 \* 10/2001 Jones et al. .... 220/200

2004/0020952 A1 \* 2/2004 Schomaker ..... 224/404  
2004/0080248 A1 \* 4/2004 Klusmeier ..... 312/348.3  
2005/0104415 A1 \* 5/2005 Hungerford et al. .... 296/190.02  
2005/0275241 A1 \* 12/2005 Rothwell ..... 296/136.01

\* cited by examiner

*Primary Examiner*—Caron Veynar  
*Assistant Examiner*—Katrina A Kile

(74) *Attorney, Agent, or Firm*—Novak Druce + Quigg LLP

(57) **CLAIM**

I claim the ornamental design for a cargo box with double bevel lid, as shown and described.

**DESCRIPTION**

FIG. 1 is a perspective view of a cargo box with double bevel lid;

FIG. 2 is a front elevational thereof;

FIG. 3 is a top plan view thereof;

FIG. 4 is a rear elevational view;

FIG. 5 is a left side elevational view thereof;

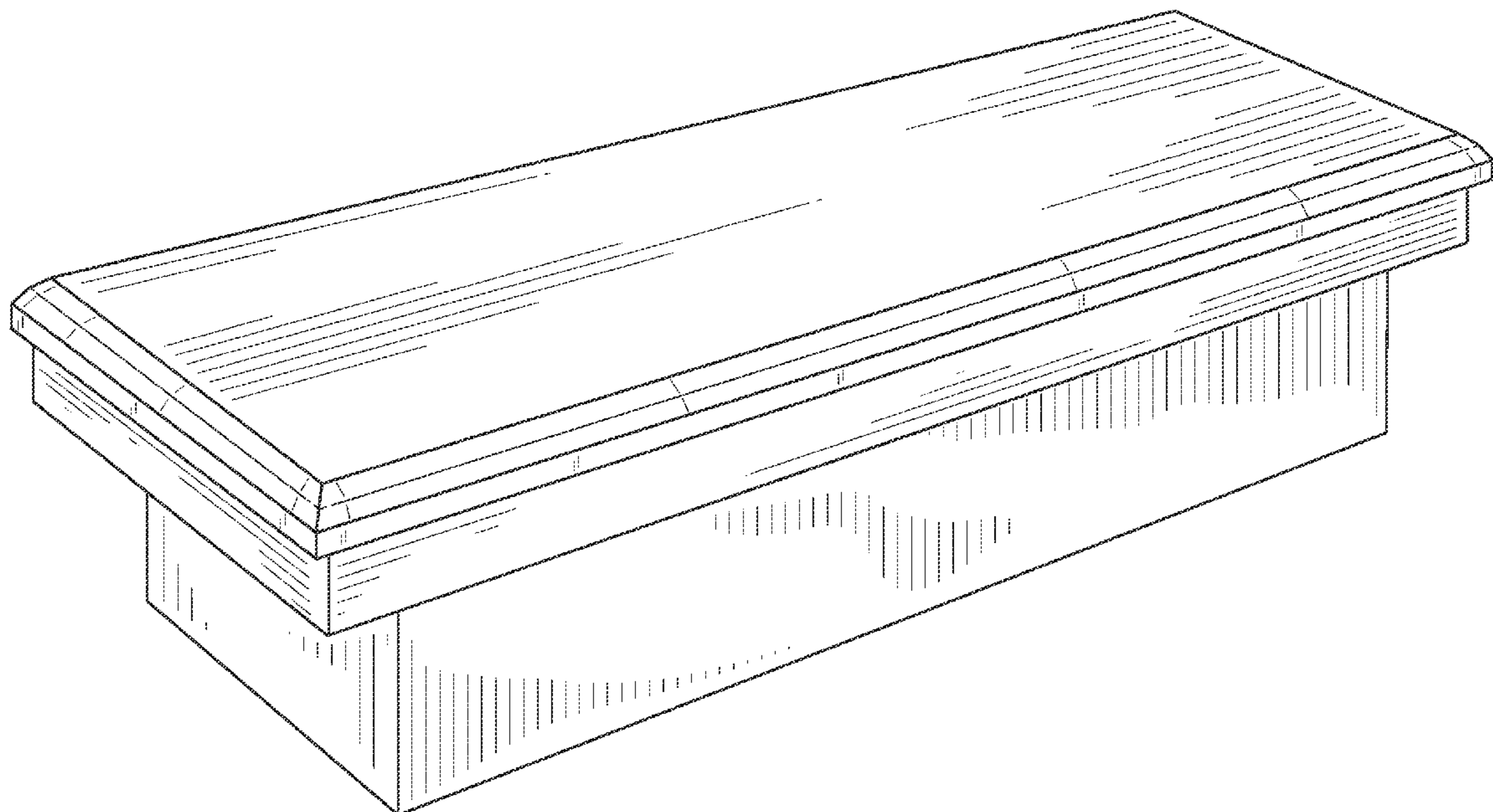
FIG. 6 is a bottom plan view thereof;

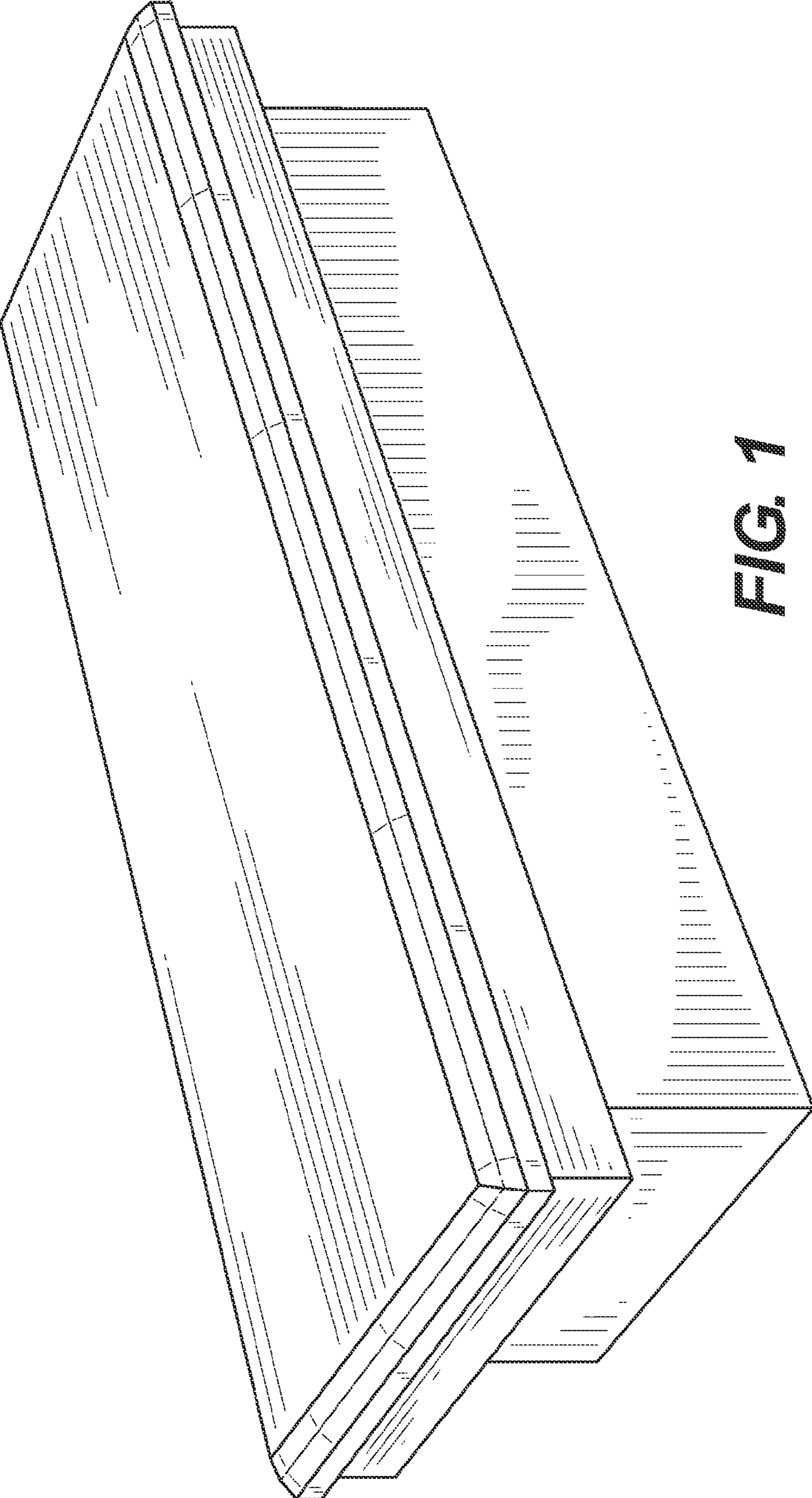
FIG. 7 is a detail side view of a corner of a lid thereof; and,

FIG. 8 is a detail perspective top view of a corner of a lid thereof.

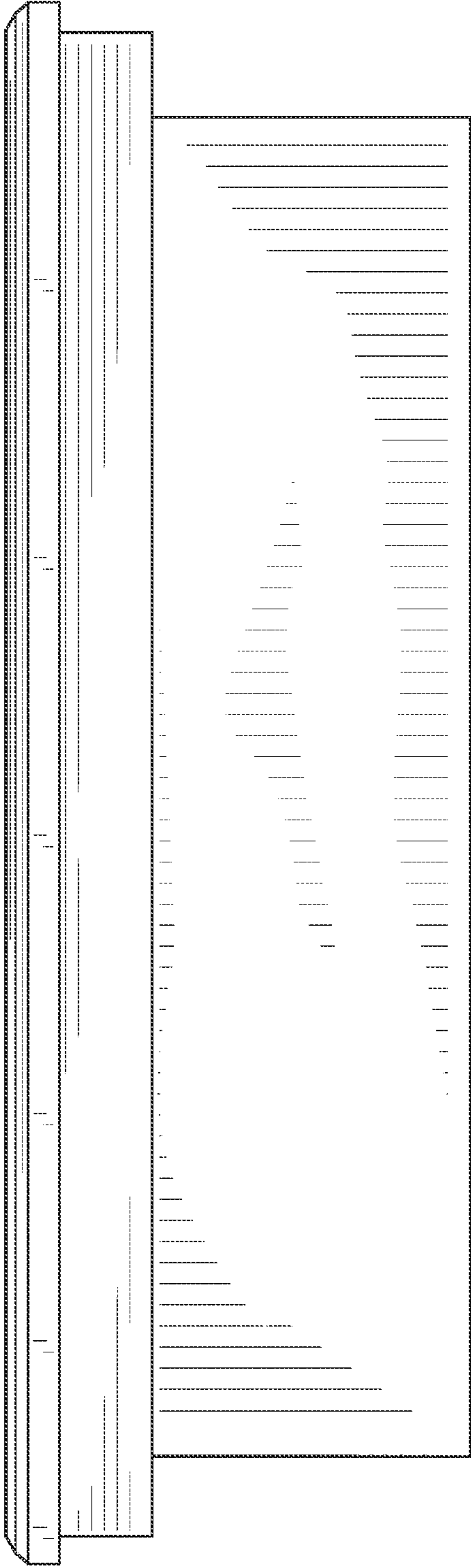
The right side of the design is a mirror image of the left side, and is therefore not shown. All of the corners of the lid of the design are identical, and therefore only one is shown.

**1 Claim, 5 Drawing Sheets**

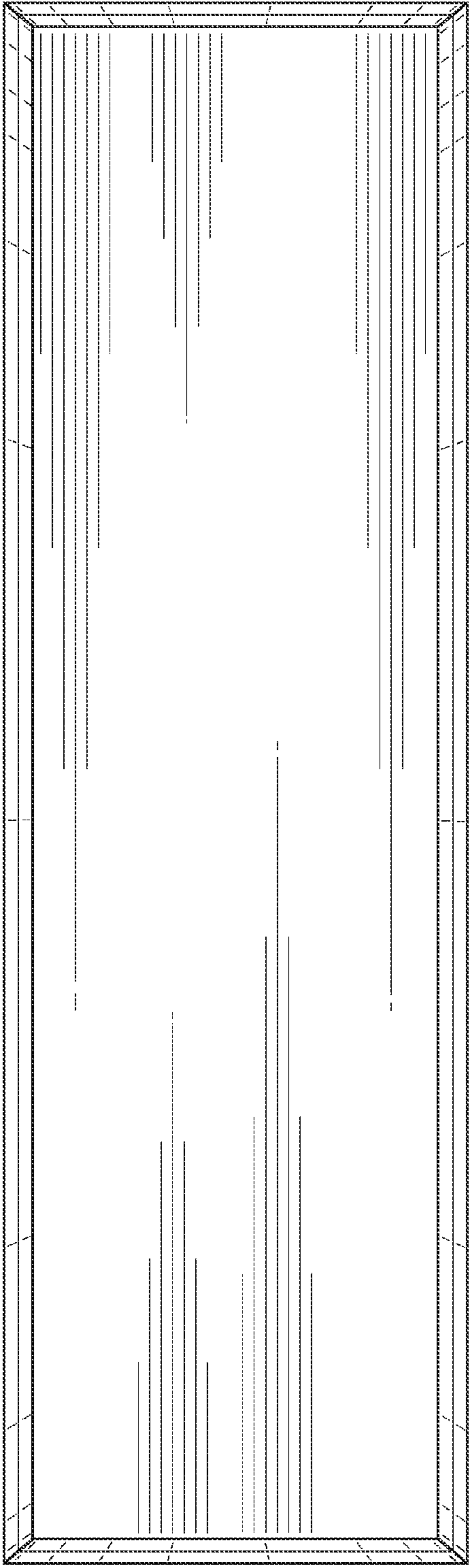




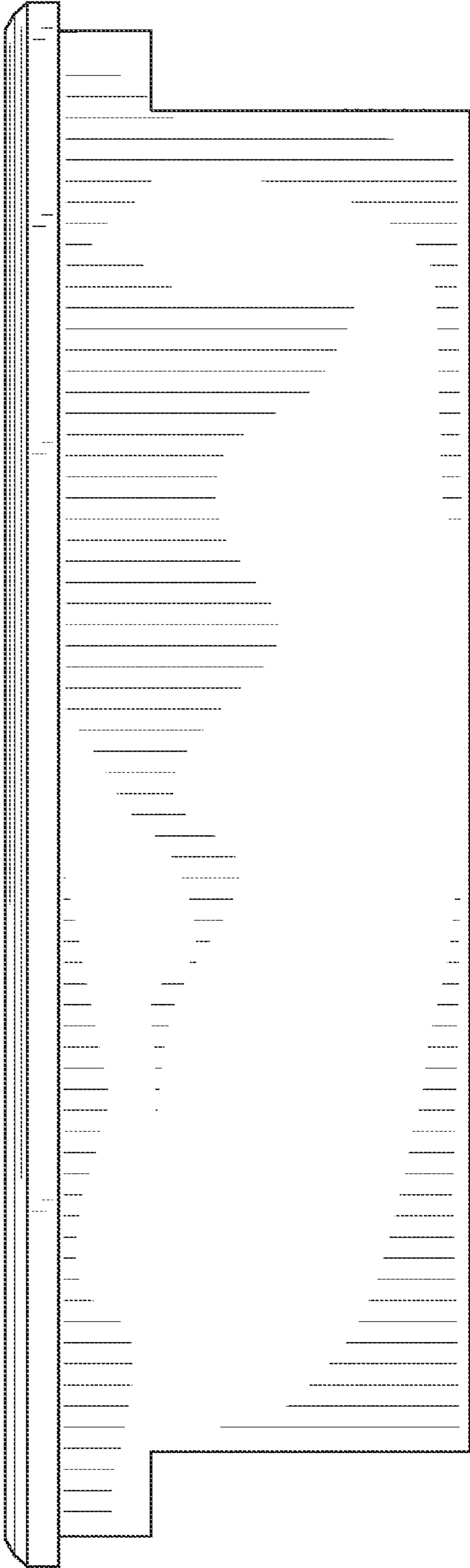
**FIG. 1**



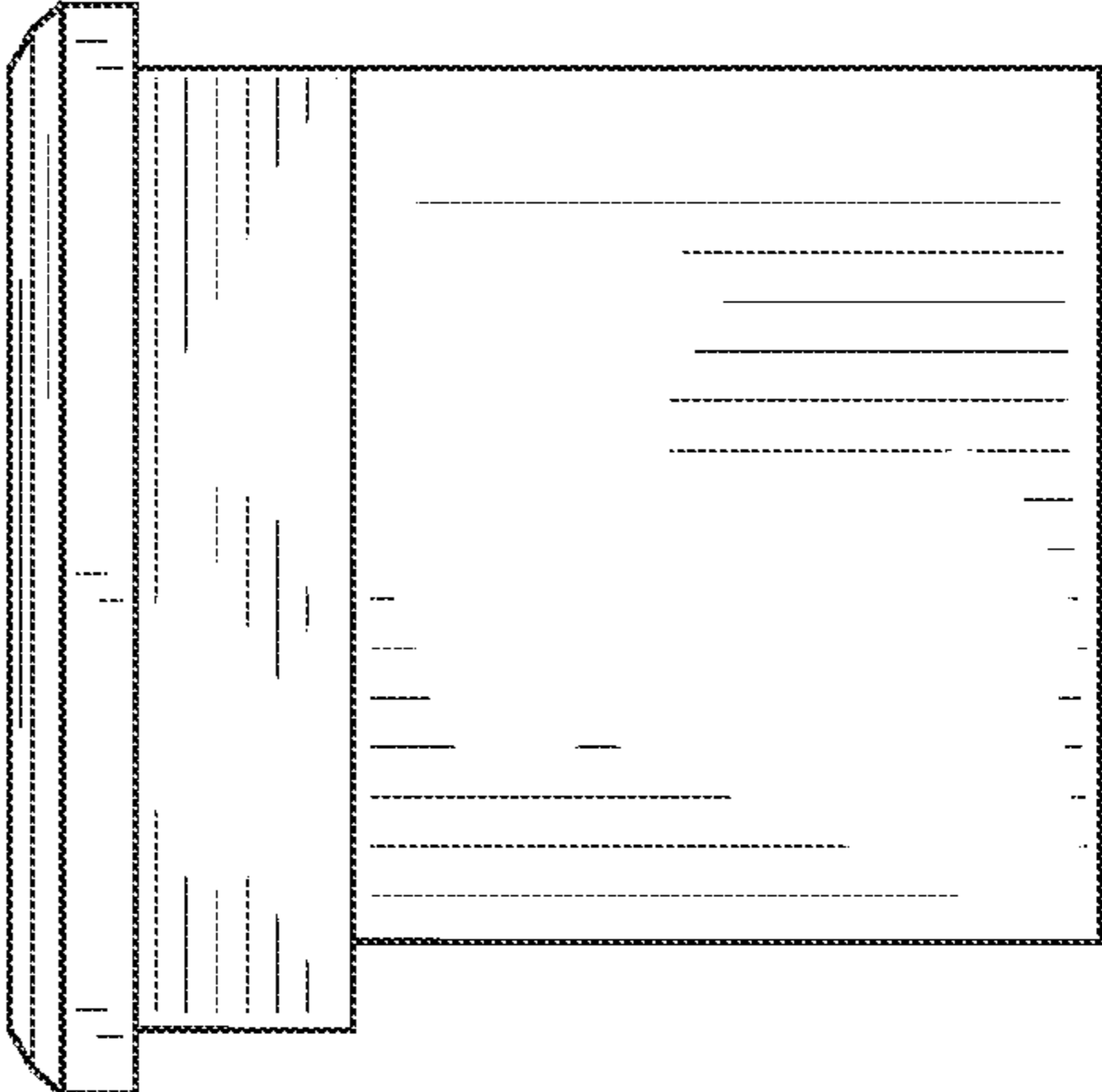
**FIG. 2**



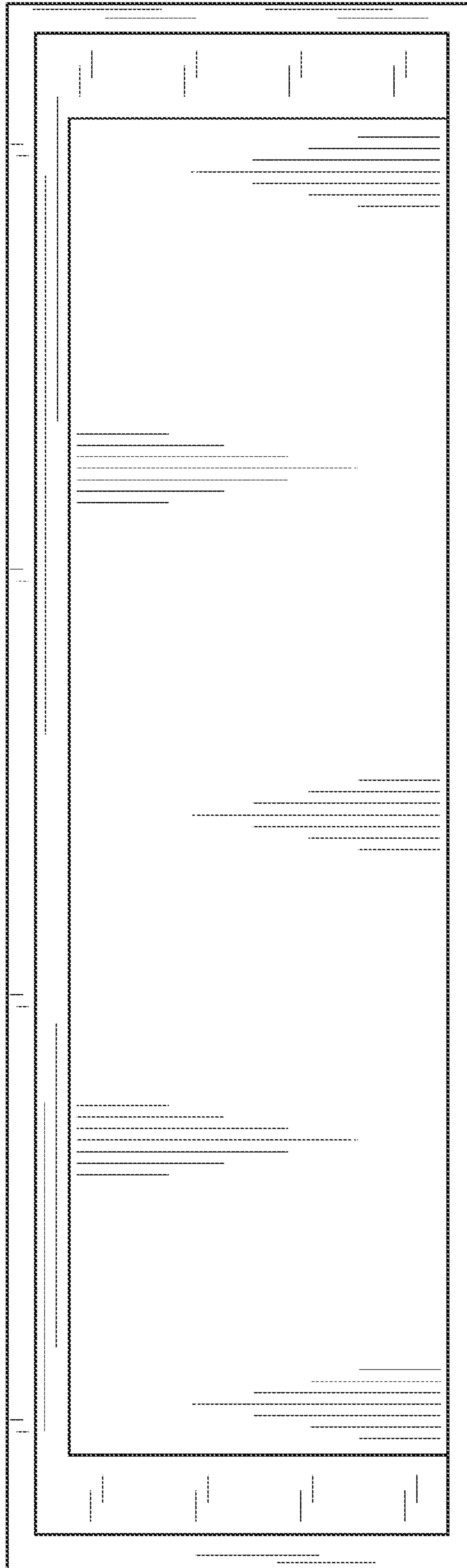
**FIG. 3**



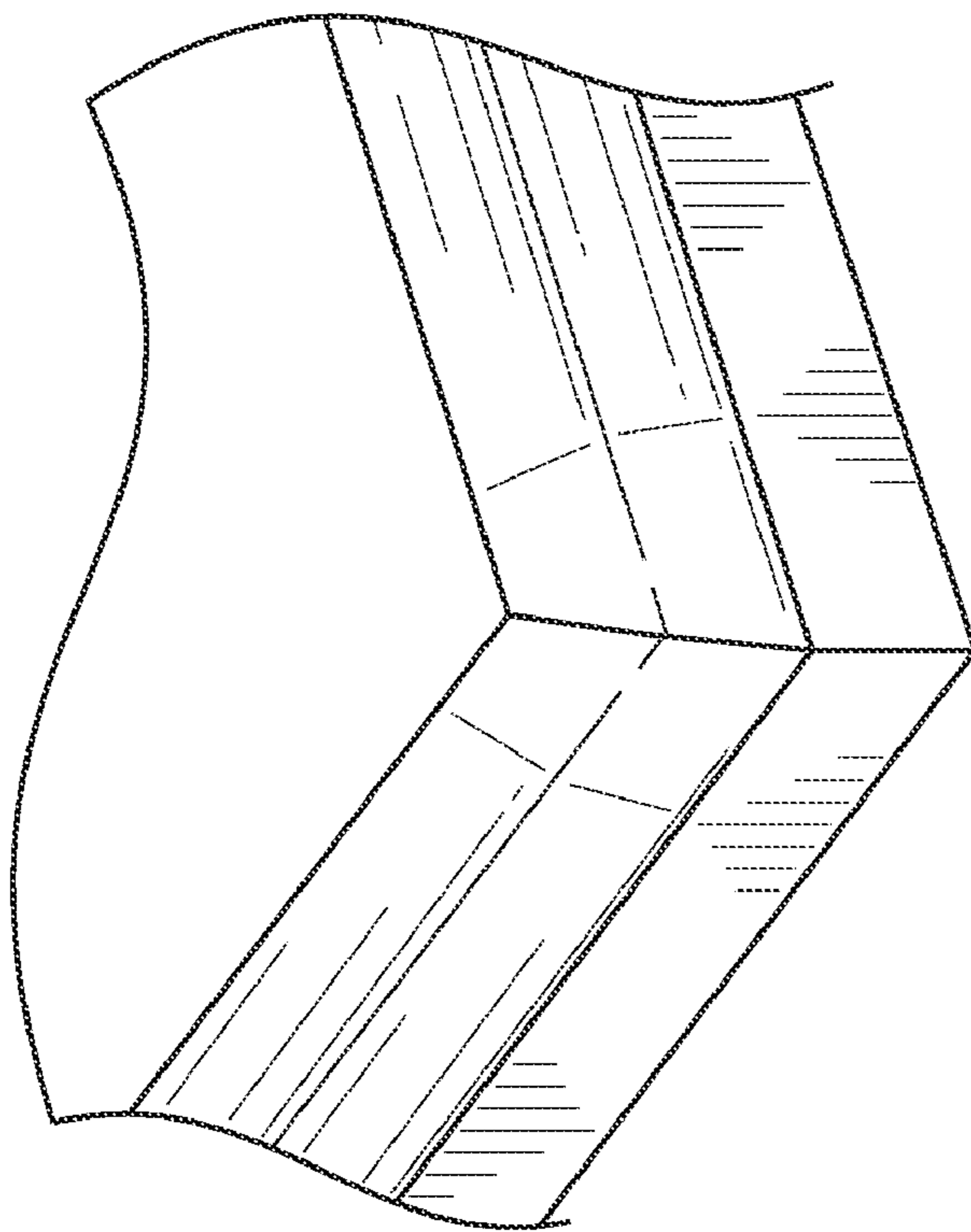
**FIG. 4**



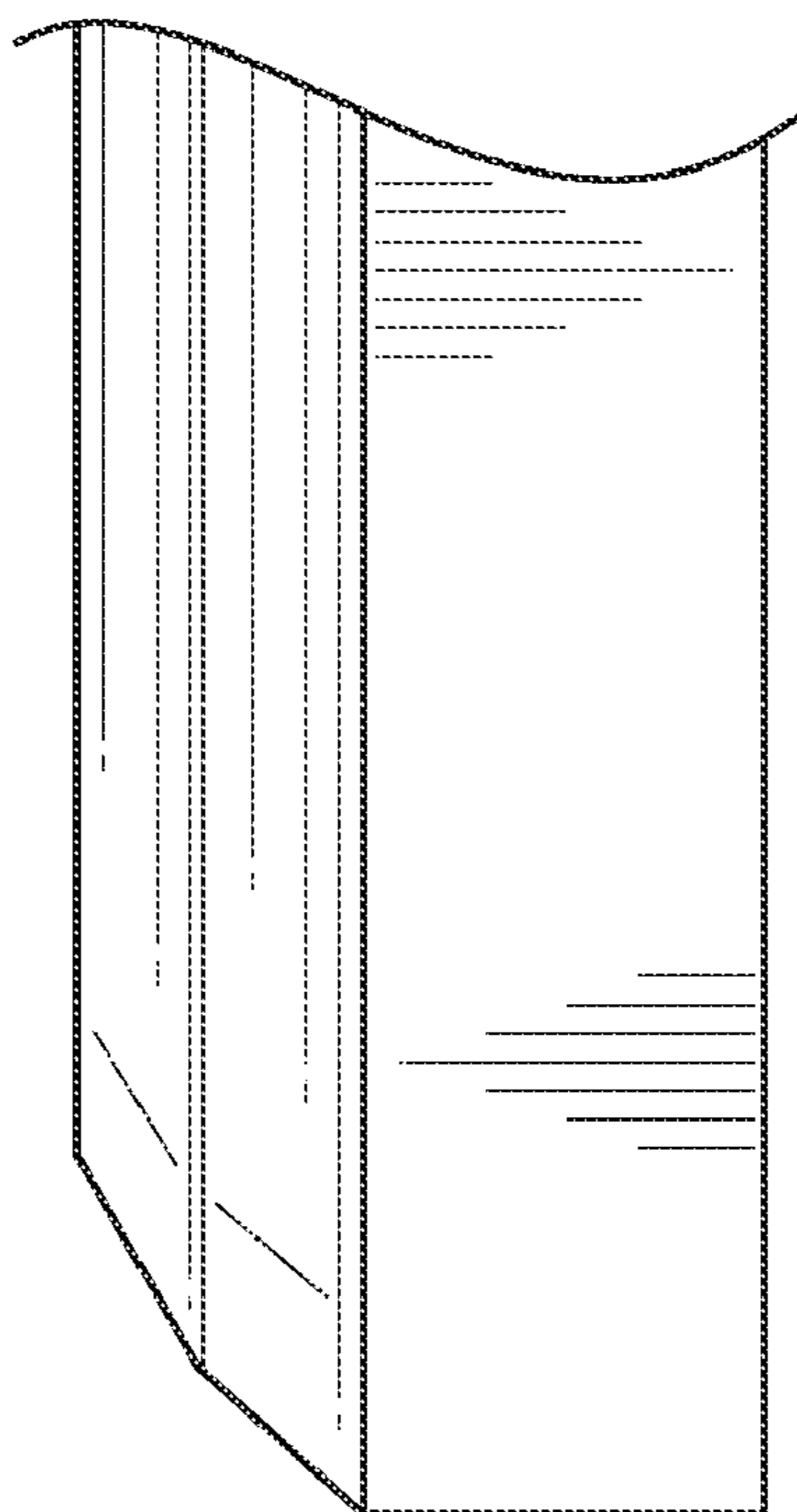
**FIG. 5**



**FIG. 6**



**FIG. 8**



**FIG. 7**