



US00D626061S

(12) **United States Design Patent**
Giddens

(10) **Patent No.:** **US D626,061 S**

(45) **Date of Patent:** **** Oct. 26, 2010**

(54) **UNDERSIDE OF A CARGO BOX LID**

D370,452 S * 6/1996 Beasley D12/203
5,676,292 A * 10/1997 Miller 224/524
D426,511 S * 6/2000 Mehuron D12/414.1

(75) Inventor: **Jimmy Giddens**, Perry, FL (US)

(73) Assignee: **Thule Sweden AB**, Hillerstorp (SE)

* cited by examiner

(**) Term: **14 Years**

Primary Examiner—Caron Veynar
Assistant Examiner—Katrina A Kile

(21) Appl. No.: **29/346,379**

(74) *Attorney, Agent, or Firm*—Novak Druce + Quigg LLP

(22) Filed: **Oct. 30, 2009**

(57) **CLAIM**

(51) **LOC (9) Cl.** **12-99**

I claim the ornamental design for an underside of a cargo box lid, as shown and described.

(52) **U.S. Cl.** **D12/414.1**

(58) **Field of Classification Search** D12/401-414,
D12/414.1, 89-93, 16, 96-100; D21/433-434,
D21/548, 552, 559, 561; D25/38, 43; D6/552,
D6/513, 567; 135/88.01, 95; 150/165-167,
150/158; 160/32, 26; 280/770; 296/136.01,
296/190.08, 190.01-190.02, 114-116, 77.1,
296/100.01-100.06, 98

DESCRIPTION

See application file for complete search history.

FIG. 1 is a perspective view of an underside of a cargo box lid;
FIG. 2 is an alternate view thereof;
FIG. 3 is a front elevational view thereof; and,
FIG. 4 is a cross-sectional view thereof.

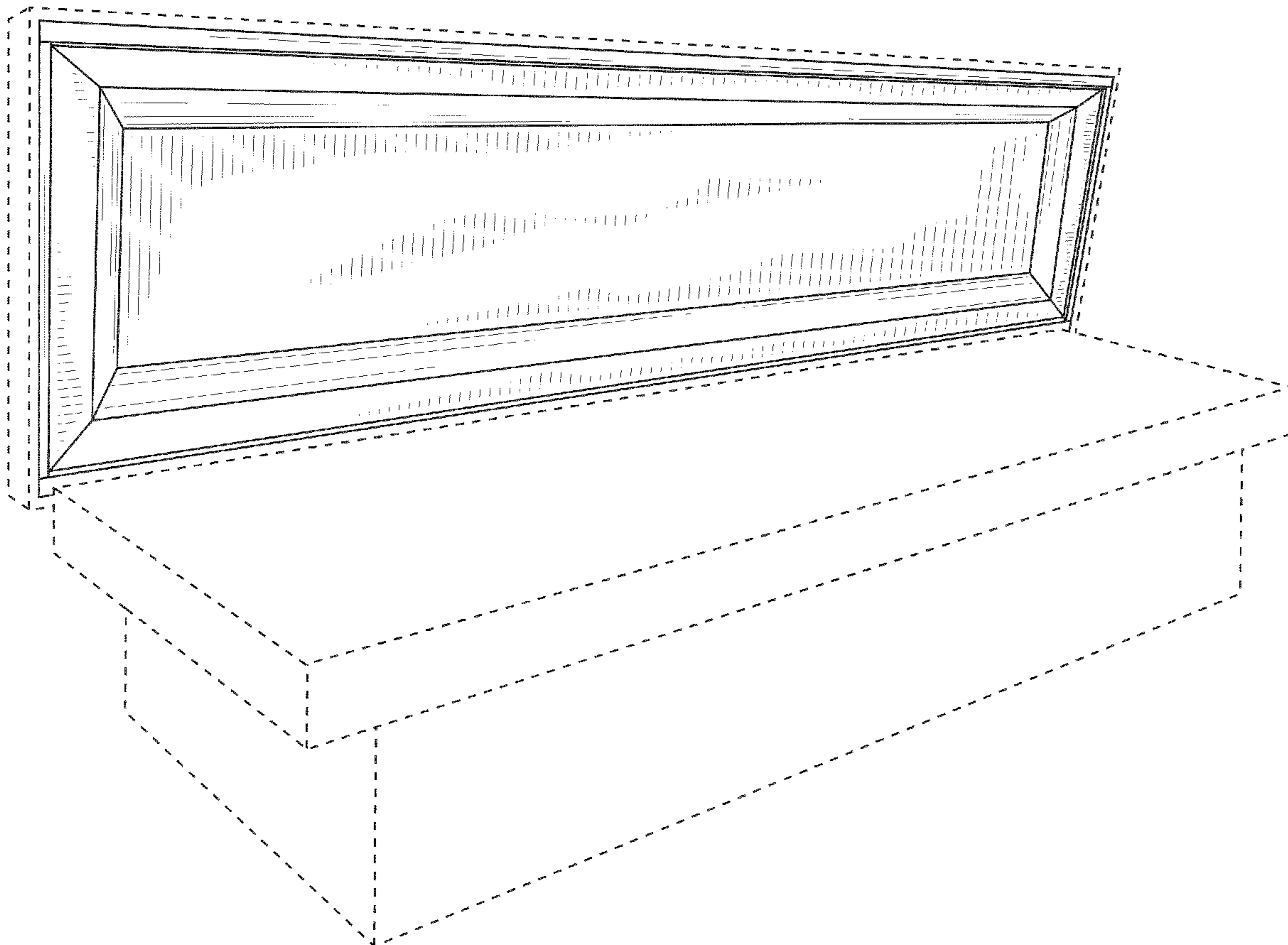
The sectional view FIG. 4 is included to show the contours of the design. No claim is made as to the internal construction of the design. In the drawings, the broken lines depict portions of a cargo box and form no part of the claim.

(56) **References Cited**

U.S. PATENT DOCUMENTS

432,488 A * 7/1890 Johnson 209/27
5,356,200 A * 10/1994 Stumpf et al. 297/328

1 Claim, 4 Drawing Sheets



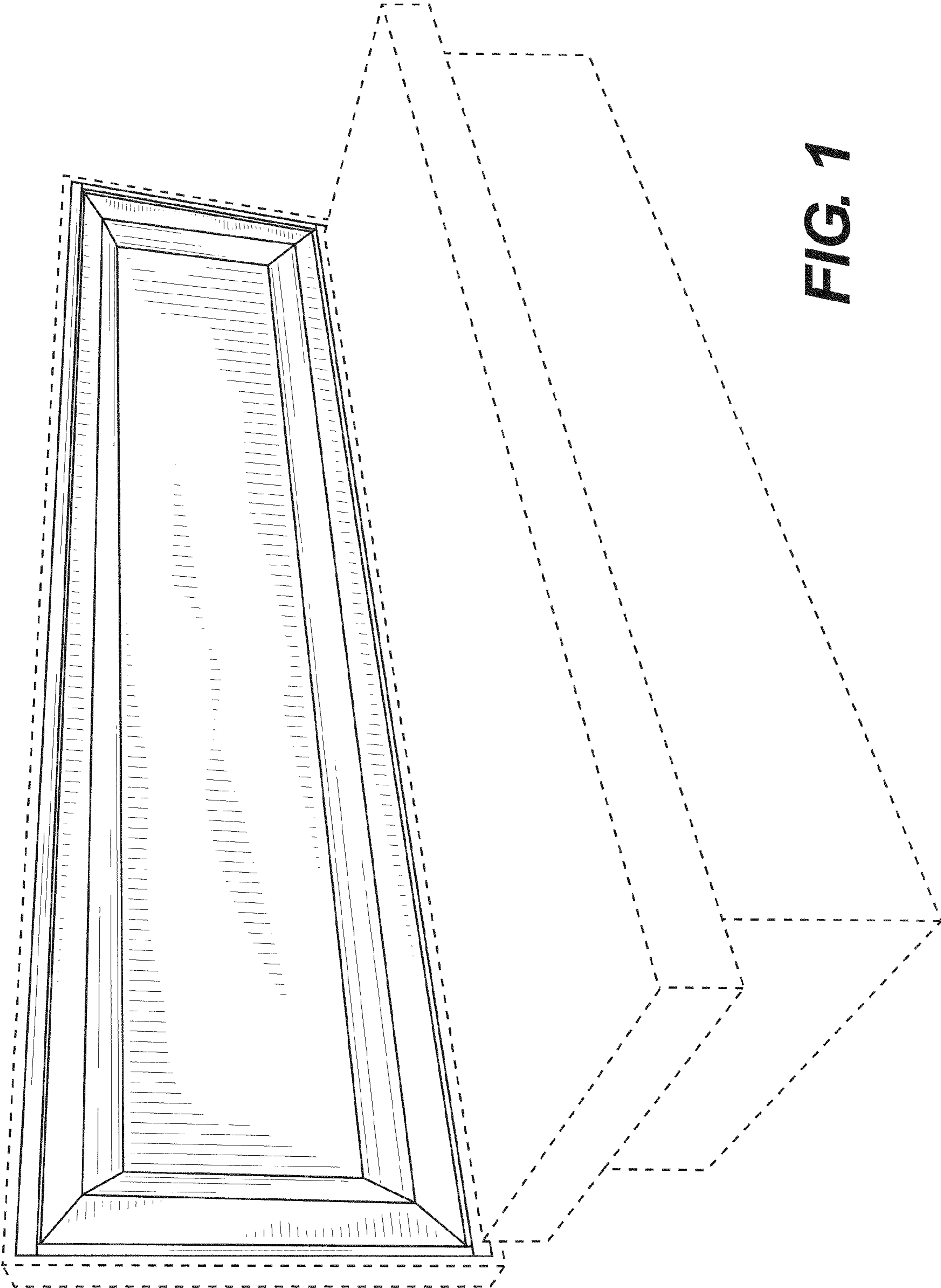


FIG. 1

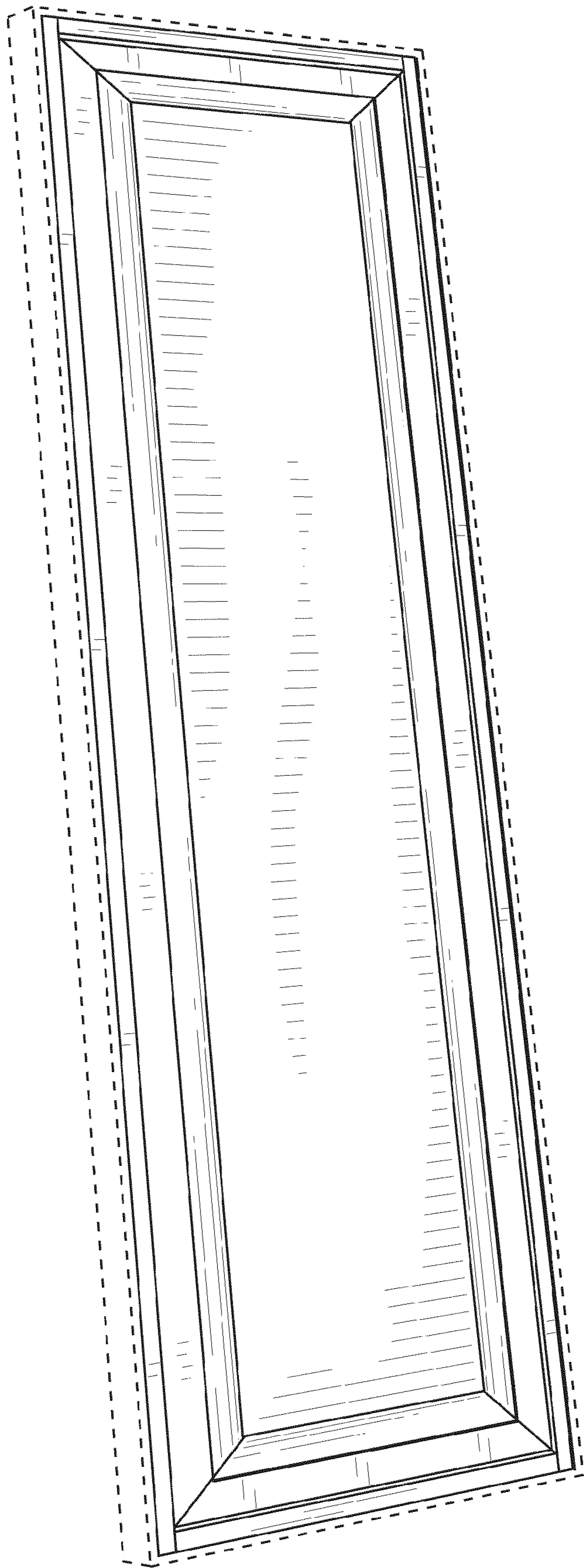


FIG. 2

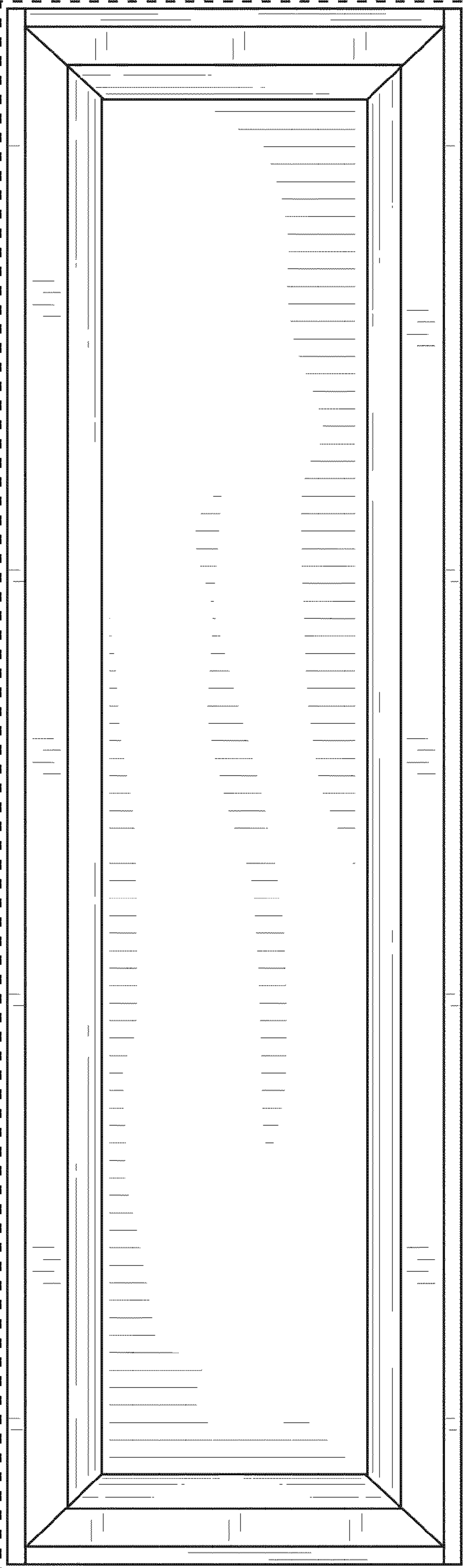


FIG. 3

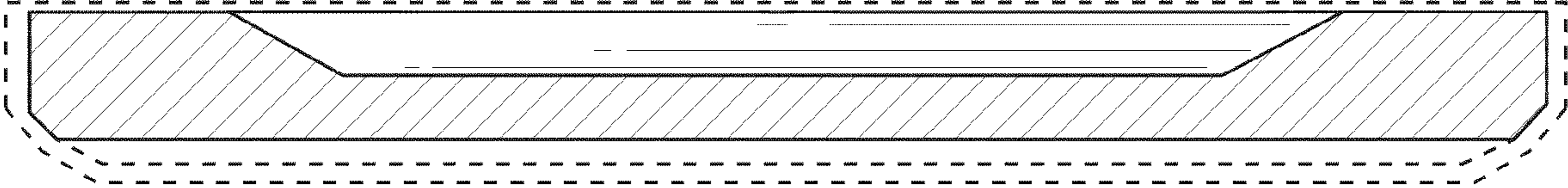


FIG. 4