



US00D626059S

(12) **United States Design Patent**
Jackson

(10) **Patent No.:** **US D626,059 S**

(45) **Date of Patent:** **** Oct. 26, 2010**

(54) **CAR RACK PAD COVERS**

(76) **Inventor:** **Anthony L. Jackson**, 2206 Potrillo Rd.,
Rolling Hills Estates, CA (US) 90274

(**) **Term:** **14 Years**

(21) **Appl. No.:** **29/352,556**

(22) **Filed:** **Dec. 22, 2009**

(51) **LOC (9) Cl.** **12-16**

(52) **U.S. Cl.** **D12/401**

(58) **Field of Classification Search** D12/401-414,
D12/414.1, 89-93, 16, 96-100; D21/433-434,
D21/548, 552, 559, 561; D25/38, 43; D6/552,
D6/513, 567; 135/88.01, 95; 150/165-167,
150/158; 160/32, 26; 280/770; 296/136.01,
296/190.08, 190.01-190.02, 114-116, 77.1,
296/100.01-100.06, 98

See application file for complete search history.

(56) **References Cited**

U.S. PATENT DOCUMENTS

D233,032 S	10/1974	Donné	
D250,711 S	1/1979	Persson	
D256,009 S	7/1980	Mendenhall	
D258,279 S *	2/1981	Moore D12/317
D288,550 S	3/1987	Chu	
D299,017 S	12/1988	Renn	
D316,535 S	4/1991	Fenn	
D325,509 S	4/1992	Cameron	
5,364,148 A	11/1994	Bartocci	
D359,473 S	6/1995	Haines	
D393,827 S	4/1998	Taylor	
D411,163 S	6/1999	Bunter	
D414,458 S	9/1999	Pagan	
D416,855 S	11/1999	Englander	

D497,588 S	10/2004	Wu	
D521,156 S *	5/2006	Hsieh D25/38
D538,219 S	3/2007	Rakow	
D560,819 S *	1/2008	Thelwell D25/38
7,621,581 B2 *	11/2009	Wiegel et al. 296/98
2002/0157696 A1 *	10/2002	O'Brien 135/87
2005/0206188 A1 *	9/2005	Wiegel et al. 296/98
2008/0036233 A1 *	2/2008	Wiegel et al. 296/98
2008/0197662 A1 *	8/2008	Ehrenberger 296/98

* cited by examiner

Primary Examiner—Caron Veynar

Assistant Examiner—Katrina A Kile

(74) *Attorney, Agent, or Firm*—QuickPatents, Inc.; Kevin Prince

(57) **CLAIM**

What is claimed is the ornamental design for a car rack pad cover, as shown and described.

DESCRIPTION

FIG. 1 is a perspective view of a car rack pad cover, showing the new design;

FIG. 2 is an enlarged perspective view thereof;

FIG. 3 is a front elevational view thereof;

FIG. 4 is a rear elevational view thereof;

FIG. 5 is a top plan view thereof; and

FIG. 6 is a bottom plan view thereof;

FIG. 7 is a left-side elevational view thereof; and,

FIG. 8 is a right-side elevational view thereof.

The broken lines showing a car and additional car rack pad covers in FIG. 1 are included for the purpose of illustrating the invention in use, and form no part of the claimed design.

1 Claim, 3 Drawing Sheets

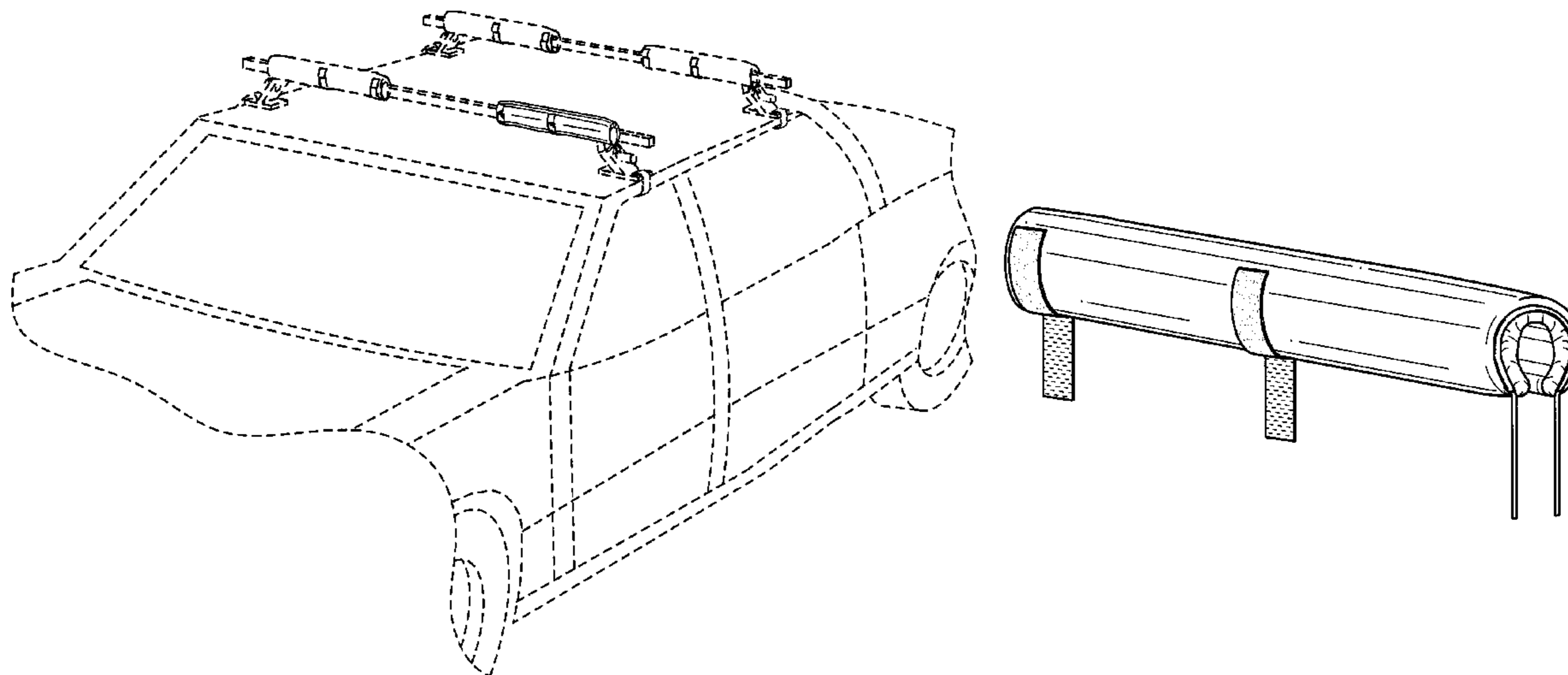


FIG. 1

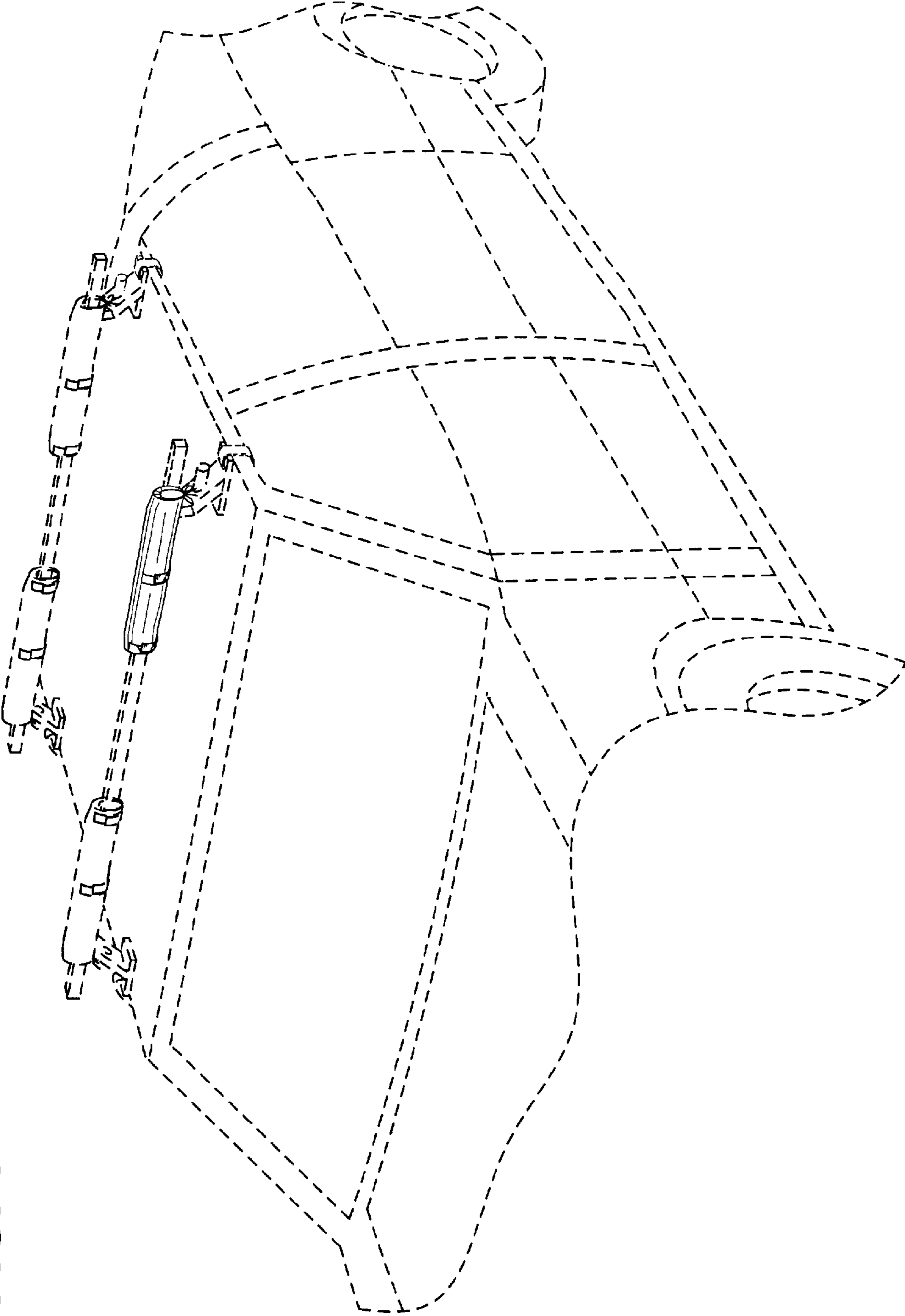


FIG. 2

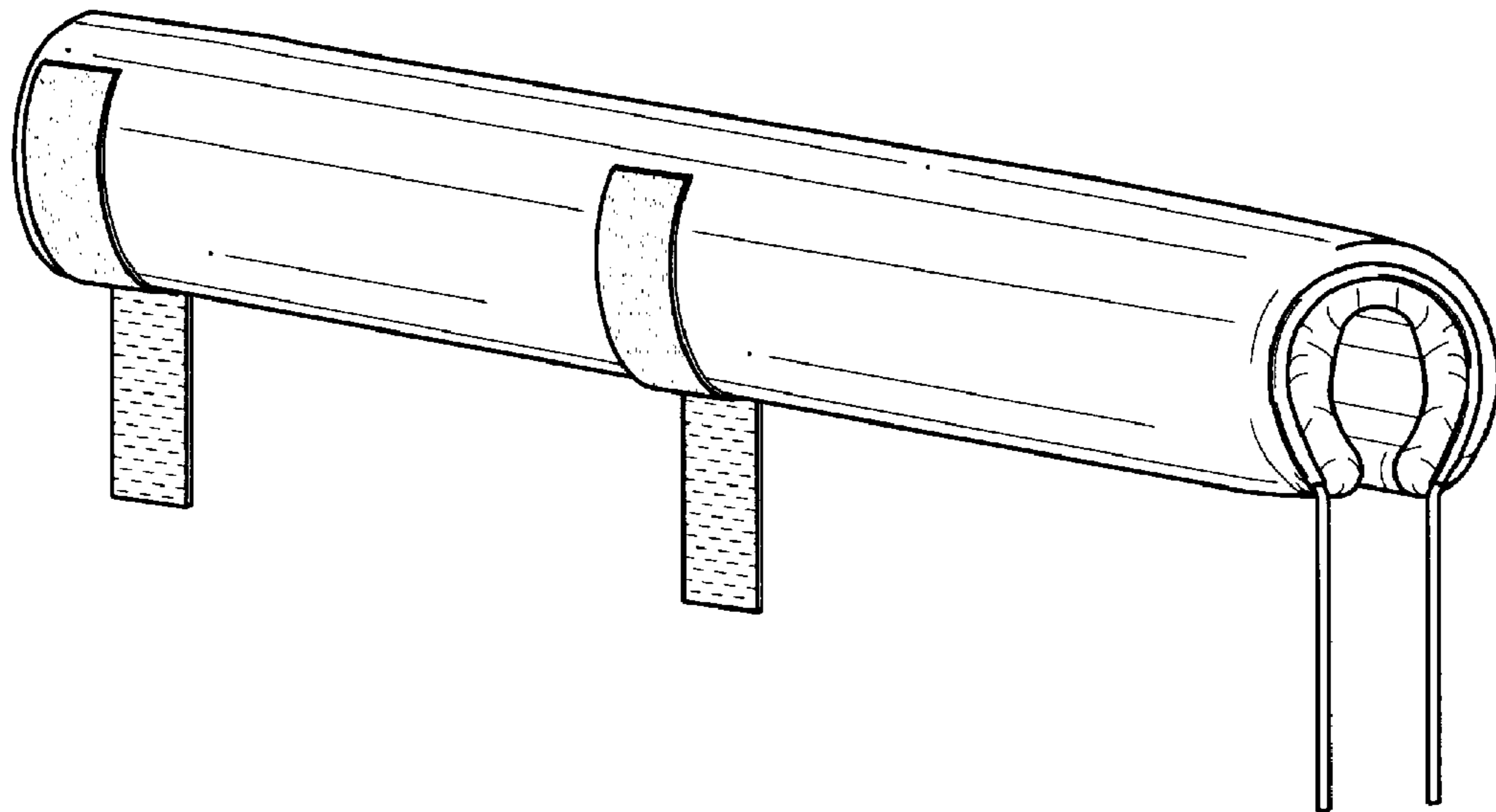


FIG. 3

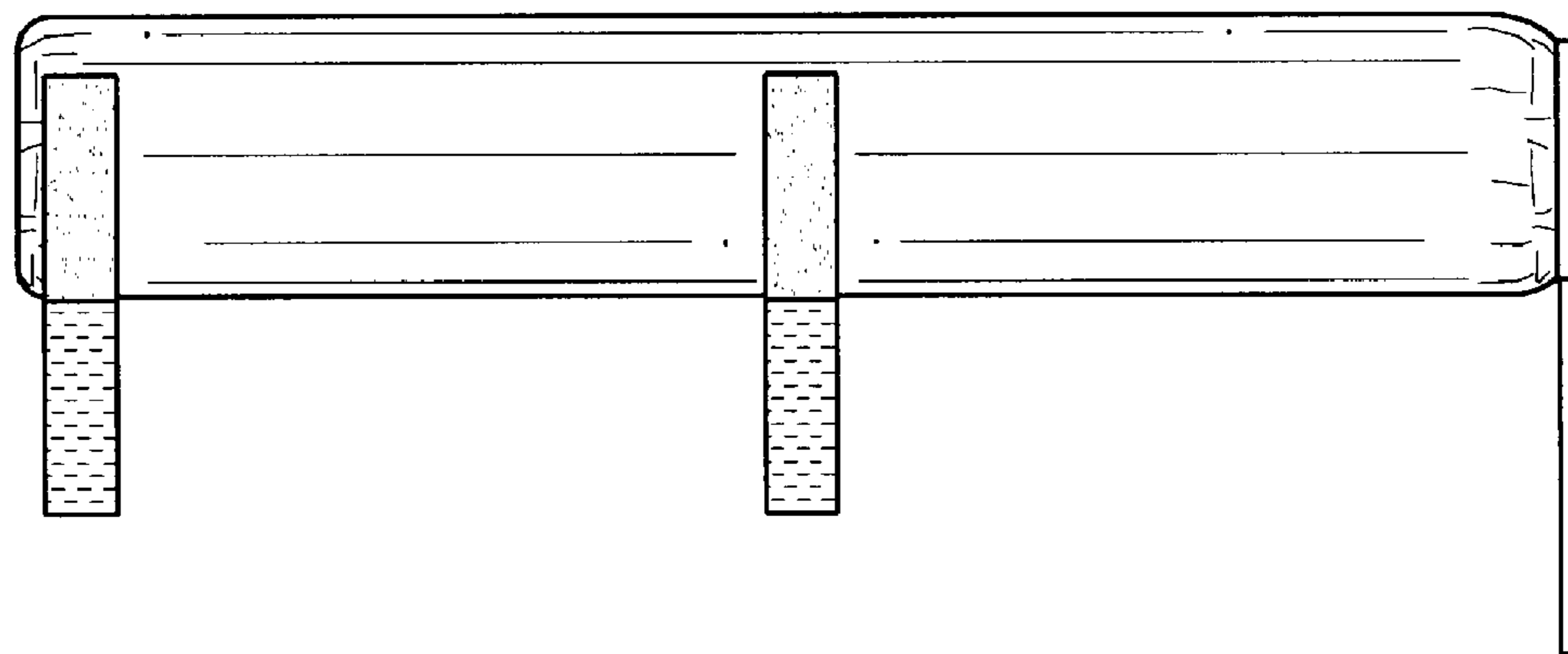


FIG. 4

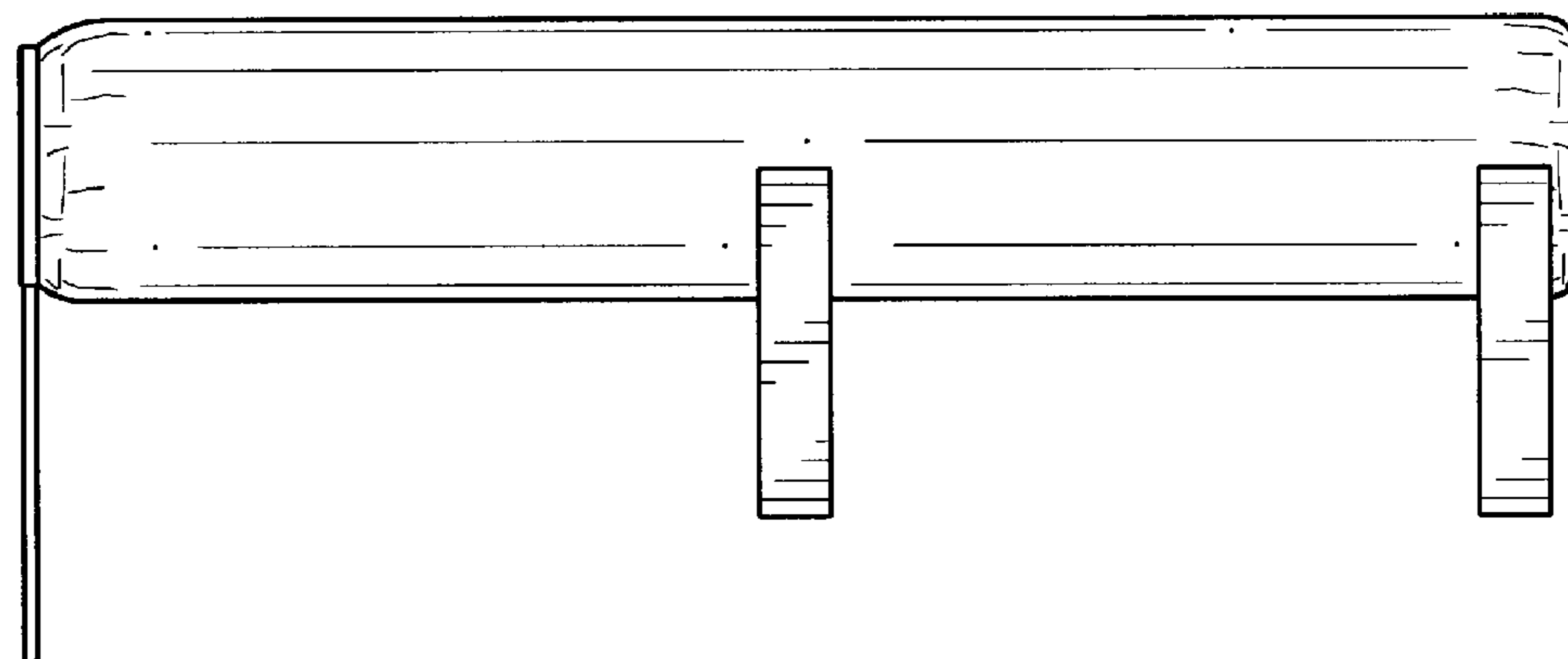


FIG. 5

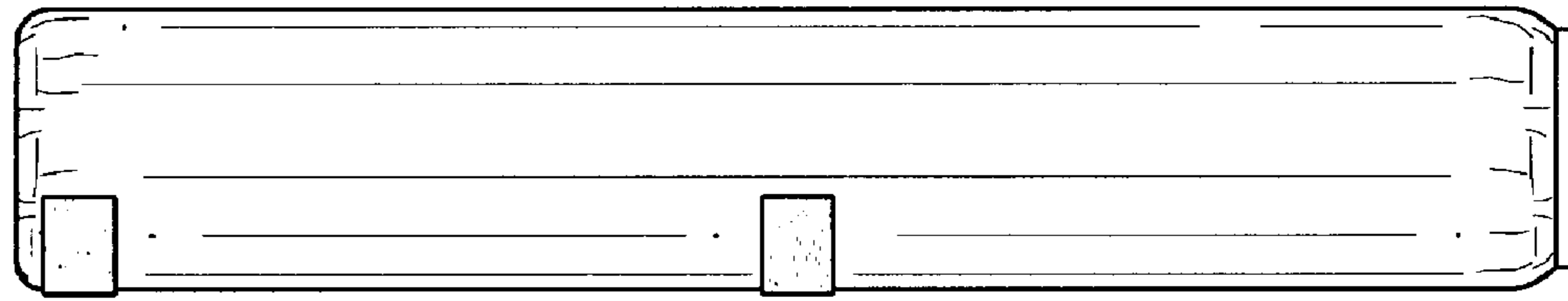


FIG. 6

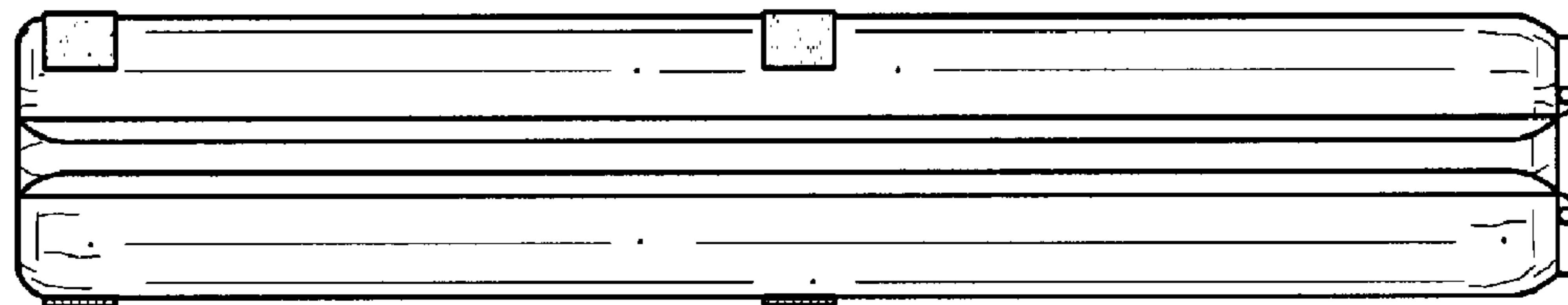


FIG. 7

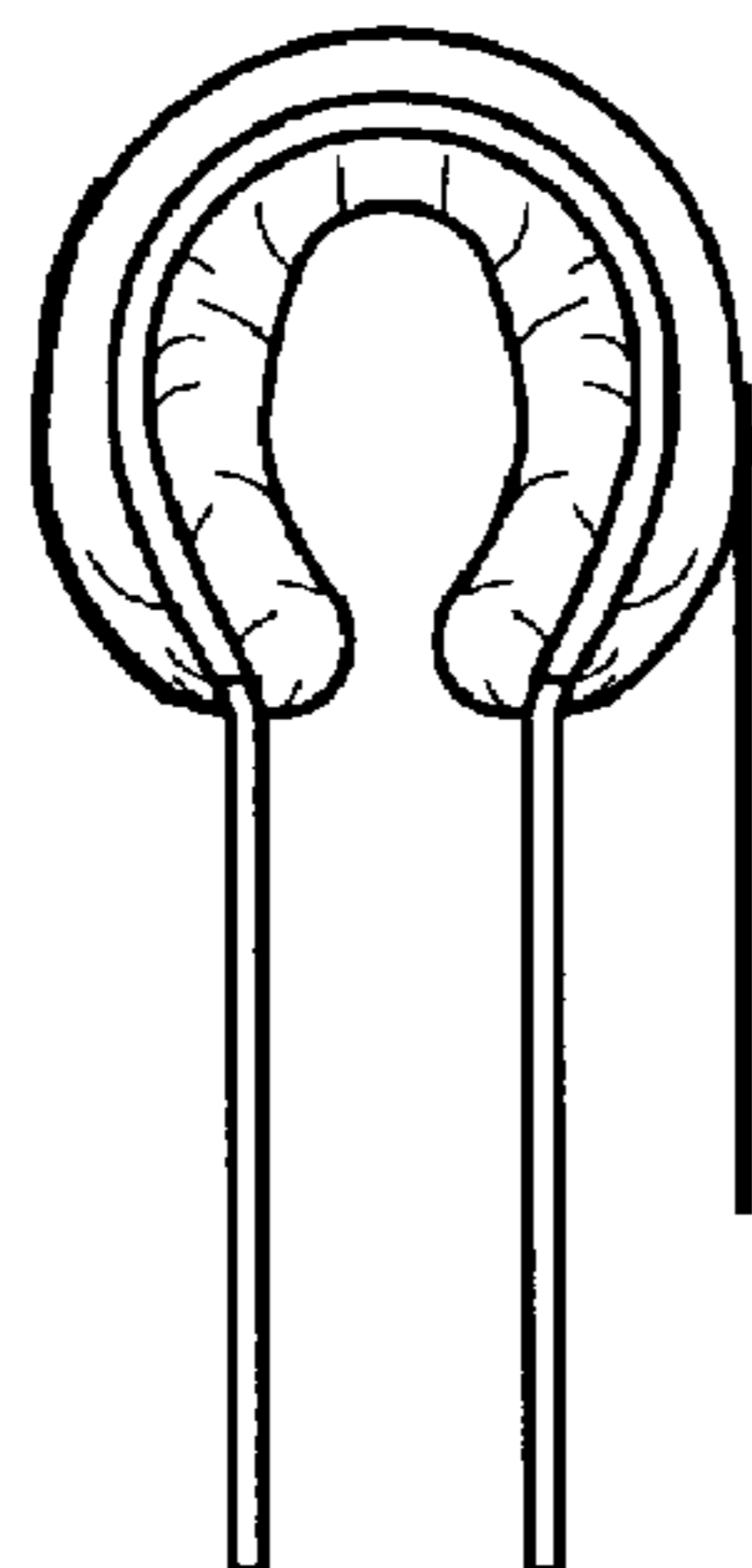


FIG. 8

