



US00D626058S

(12) **United States Design Patent**
Trotta

(10) **Patent No.:** **US D626,058 S**

(45) **Date of Patent:** **** Oct. 26, 2010**

(54) **VELOCITY STACK AIR INTAKE**

(76) **Inventor:** **Edward Trotta**, 540 W. Sunrise Blvd.,
Fort Lauderdale, FL (US) 33311

(**) **Term:** **14 Years**

(21) **Appl. No.:** **29/315,335**

(22) **Filed:** **Jun. 16, 2009**

(51) **LOC (9) Cl.** **12-16**

(52) **U.S. Cl.** **D12/400**

(58) **Field of Classification Search** D15/1,
D15/2, 3, 5, 6, 14, 17, 149; 123/22, 41.34,
123/51 A, 606 R, 52.1, 50 A, 50 B, 54.1,
123/54.2, 54.4, 54.5, 65 R, 195 R, 195 HC,
123/657, 311, 198 E, 41.22; D12/400, 194,
D12/114; D13/115

See application file for complete search history.

(56) **References Cited**

U.S. PATENT DOCUMENTS

4,066,720 A *	1/1978	Carter	261/44.3
D573,527 S *	7/2008	Moran	D12/400
D587,187 S *	2/2009	Moran	D12/400
D608,736 S *	1/2010	Brock	D13/115

* cited by examiner

Primary Examiner—T. Chase Nelson

Assistant Examiner—Ania K Dworzecka

(74) *Attorney, Agent, or Firm*—Roger A. Gilcrest

(57) **CLAIM**

The ornamental design for a velocity stack air intake, as shown and described.

DESCRIPTION

FIG. 1 is a top right perspective view of a velocity stack air intake showing my new design;

FIG. 2 is a bottom left perspective view thereof;

FIG. 3 is a rear elevation view thereof;

FIG. 4 is a front elevation view thereof;

FIG. 5 is a right side elevation view thereof;

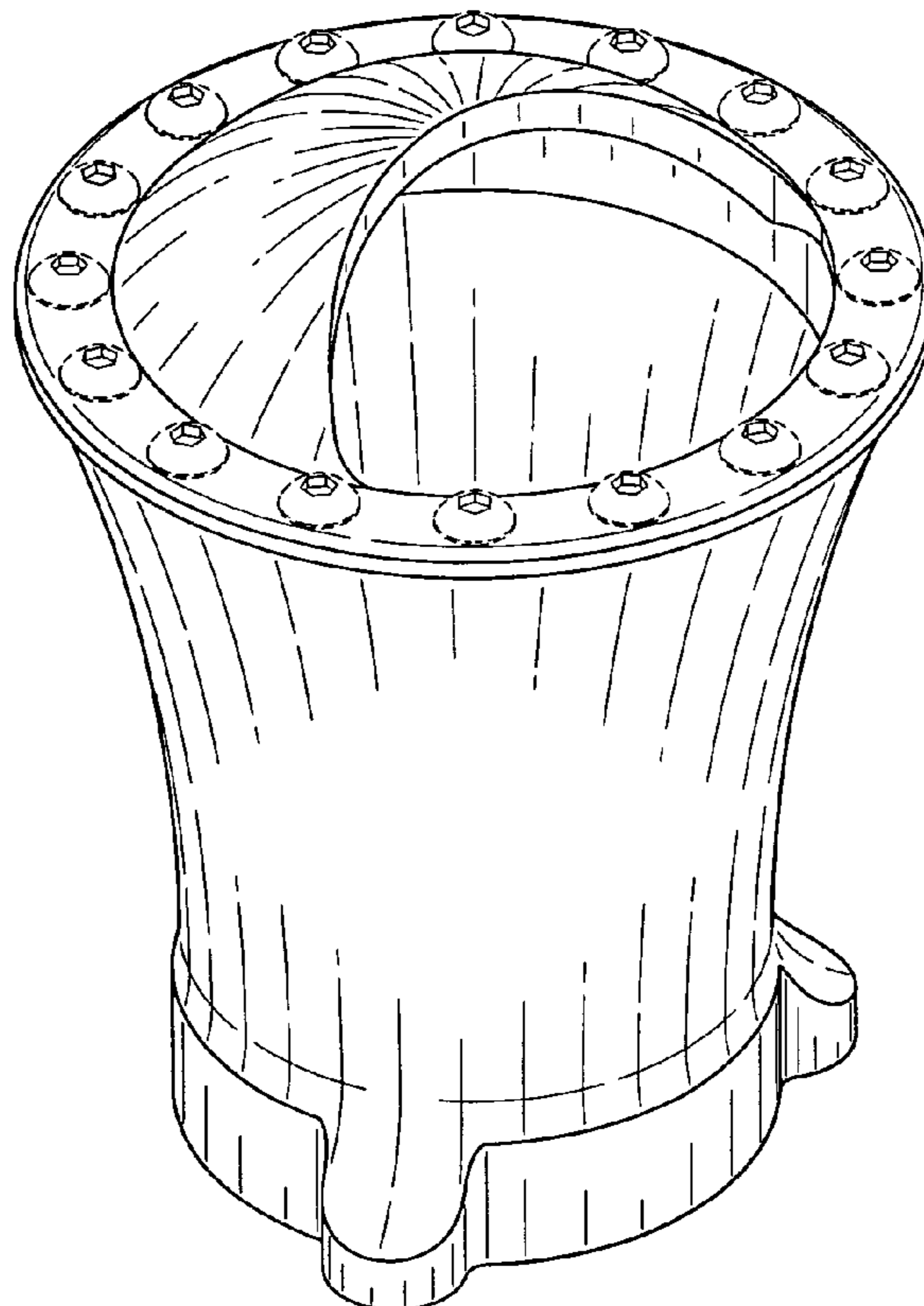
FIG. 6 is a left side elevation view thereof;

FIG. 7 is a top plan view thereof; and,

FIG. 8 is a bottom plan view.

In the drawings, the broken lines depict unclaimed subject matter only and form no part of the claimed design.

1 Claim, 4 Drawing Sheets



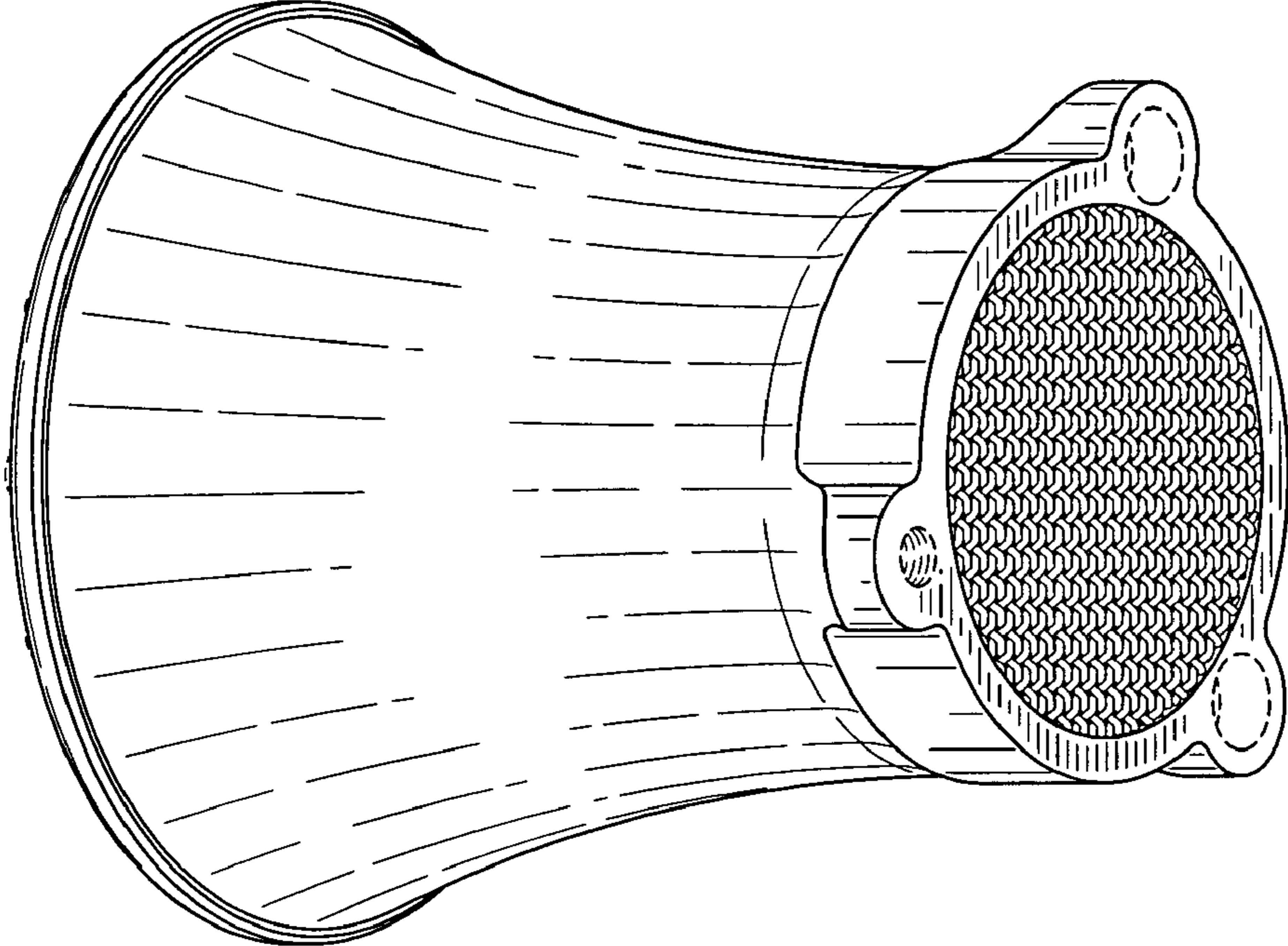


FIG-2

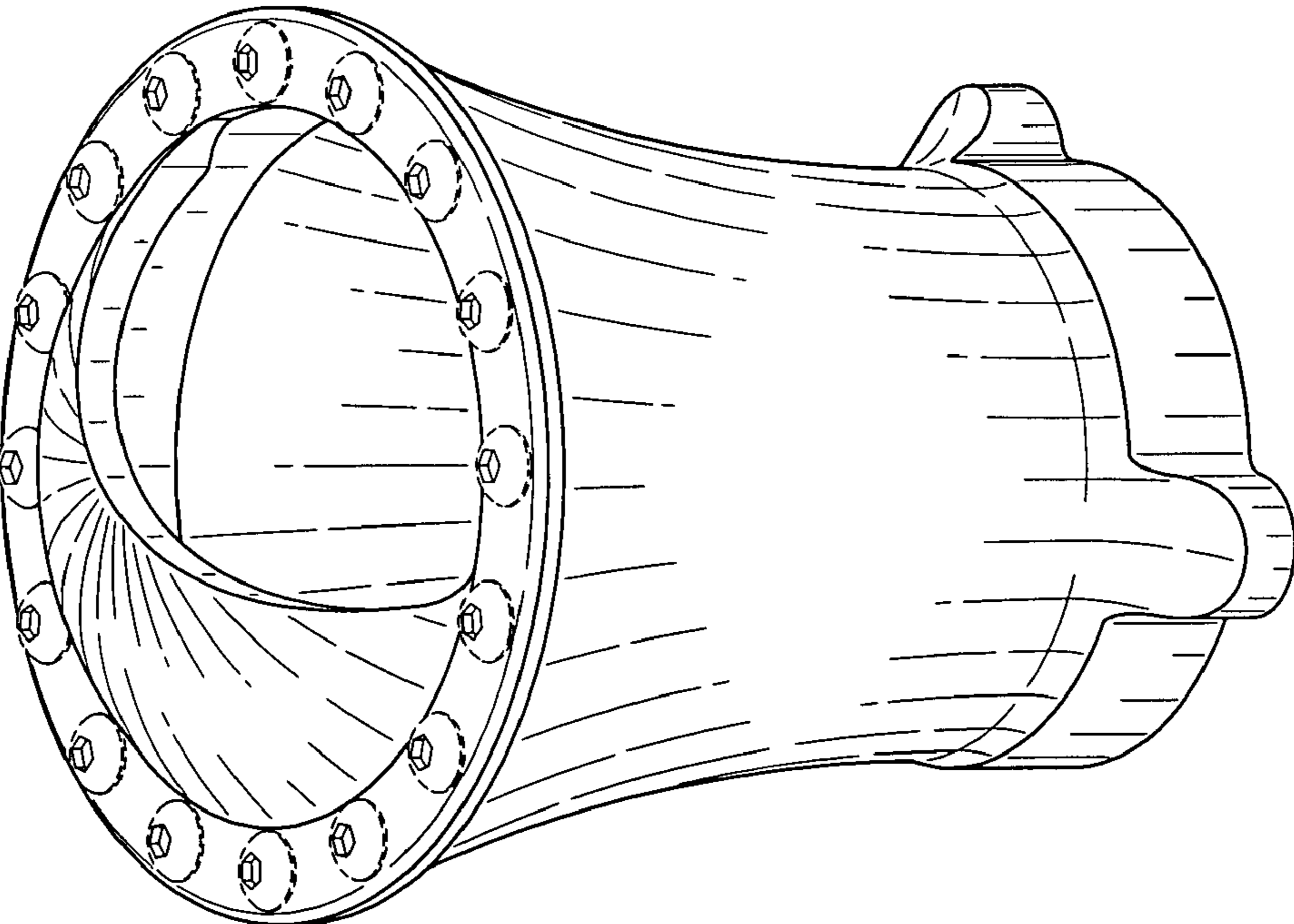


FIG-1

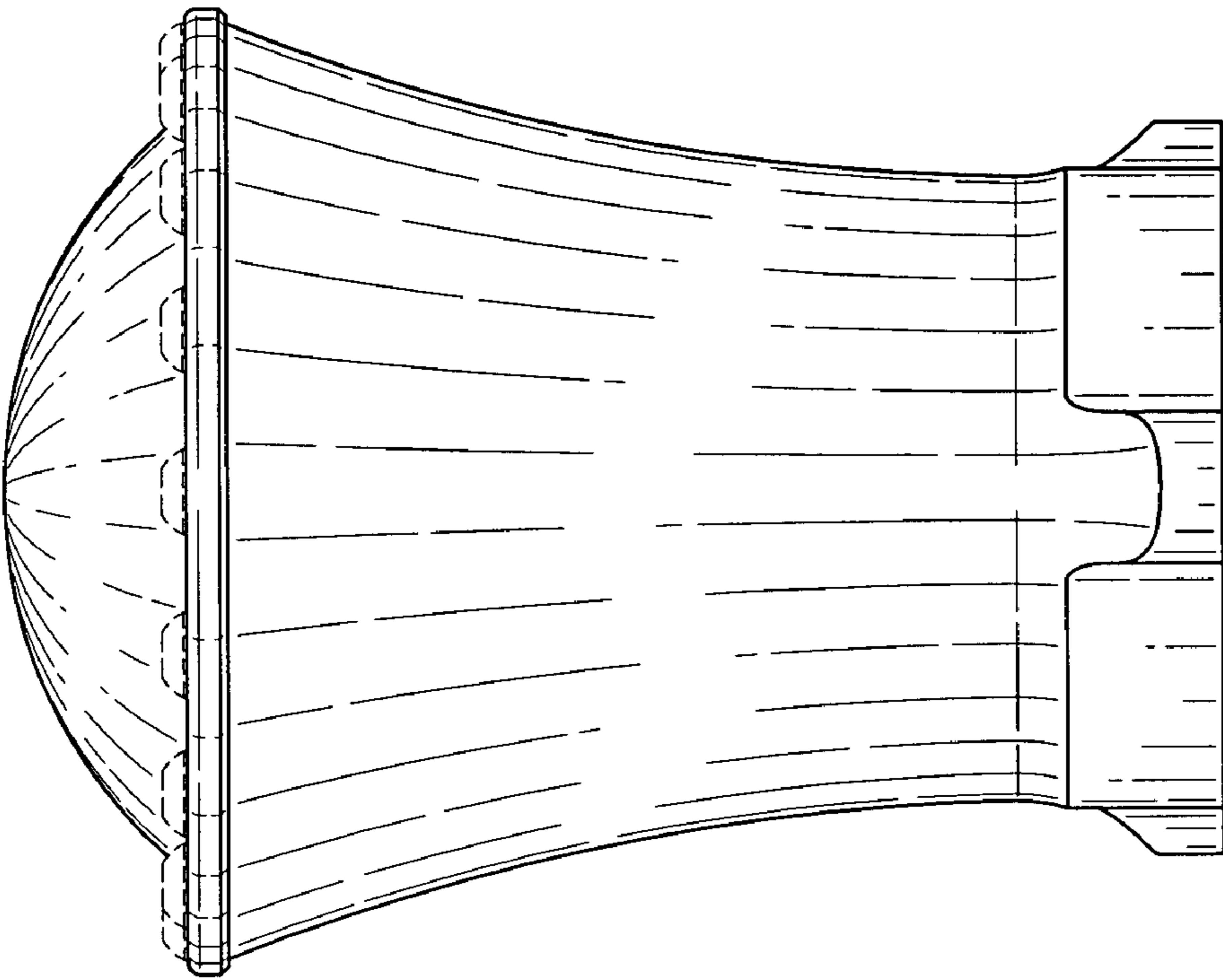


FIG-4

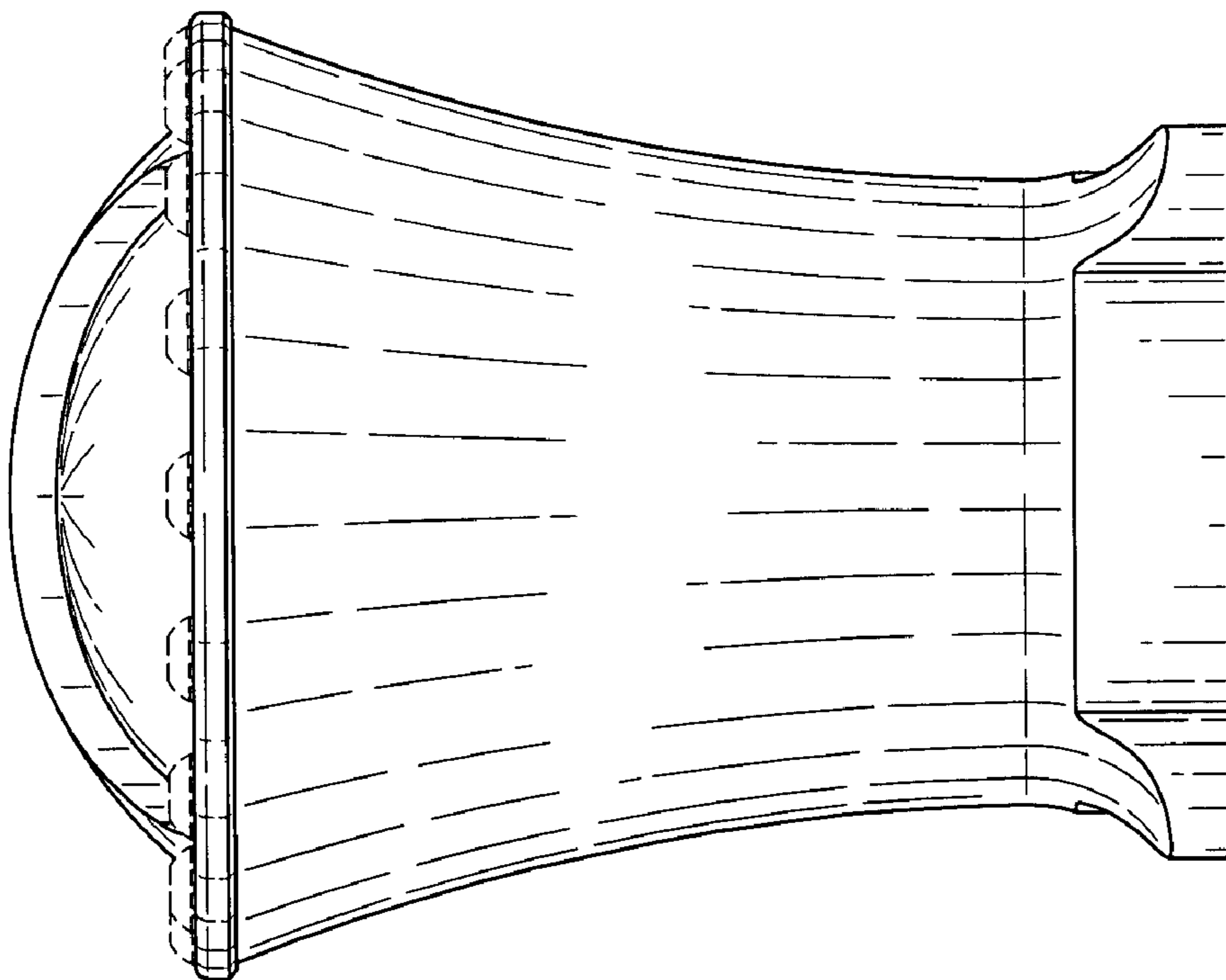


FIG-3

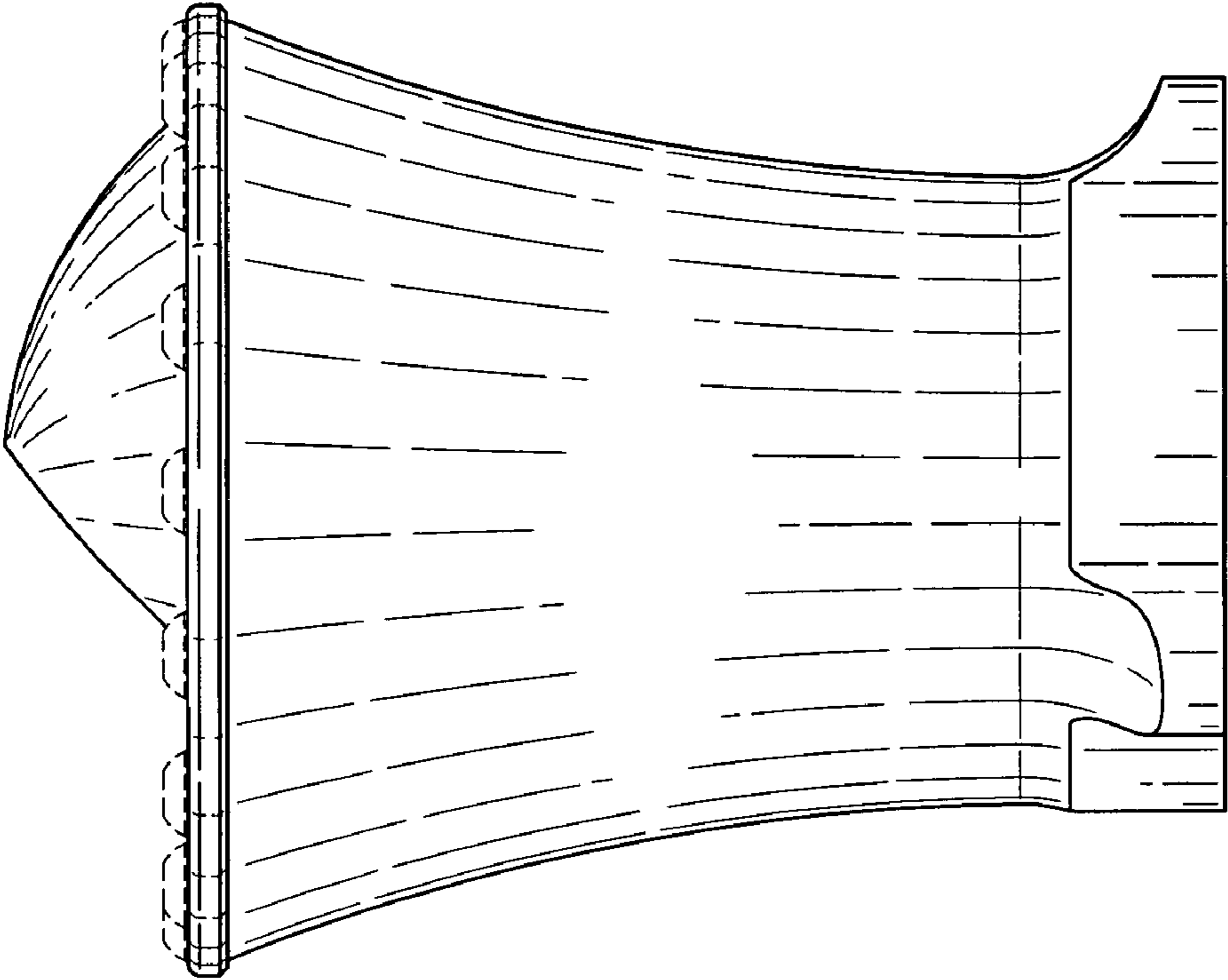


FIG-6

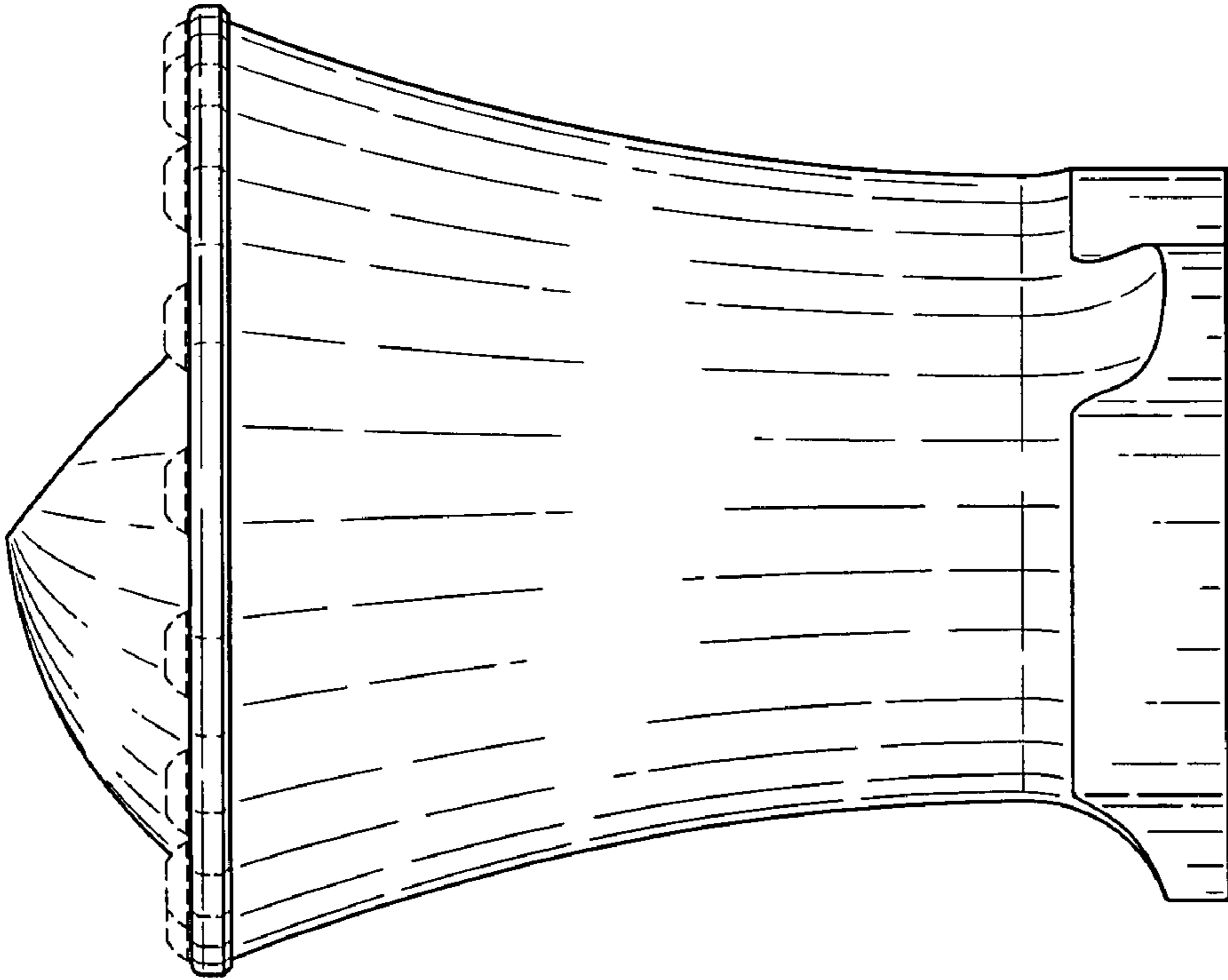


FIG-5

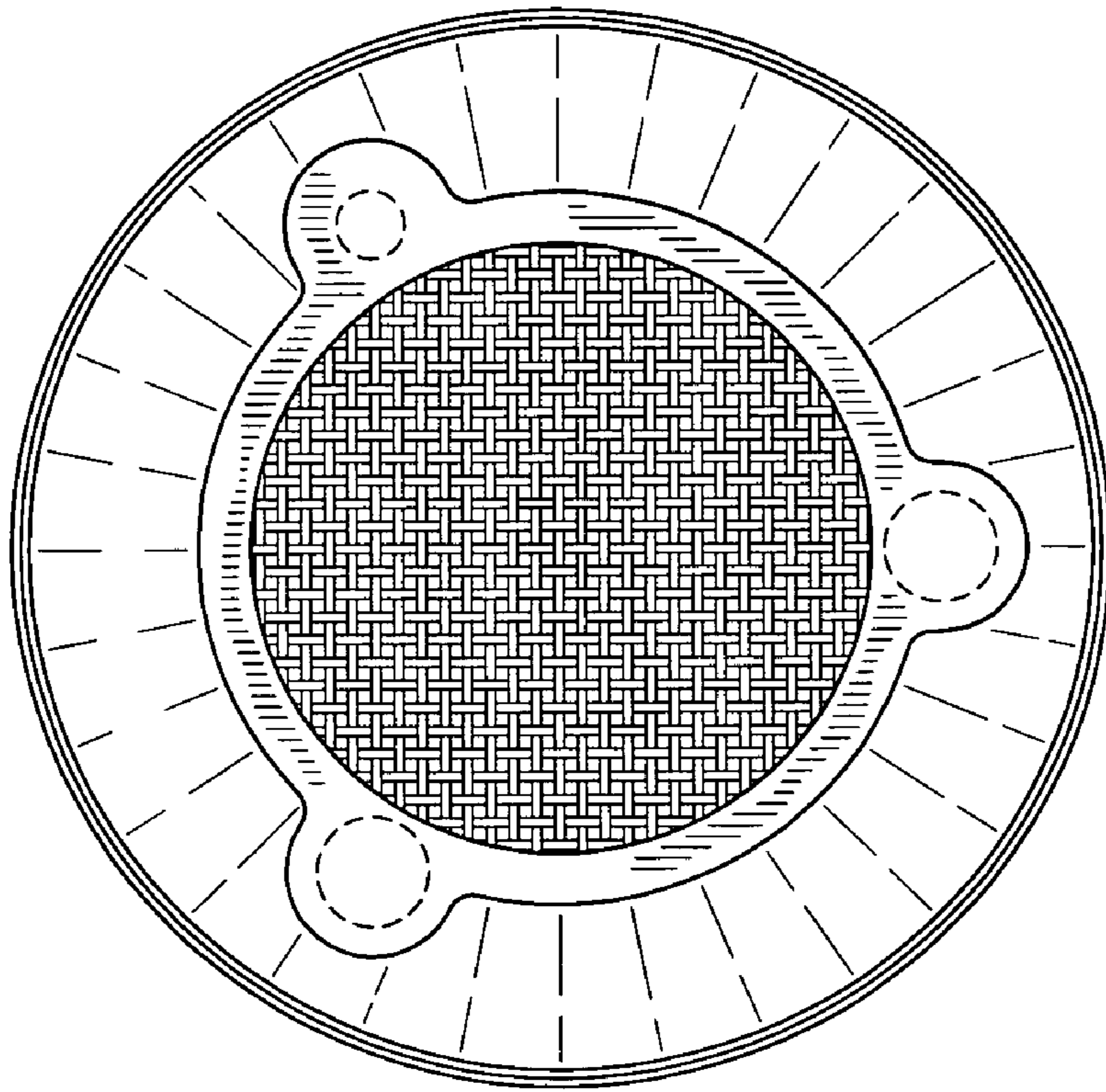


FIG-8

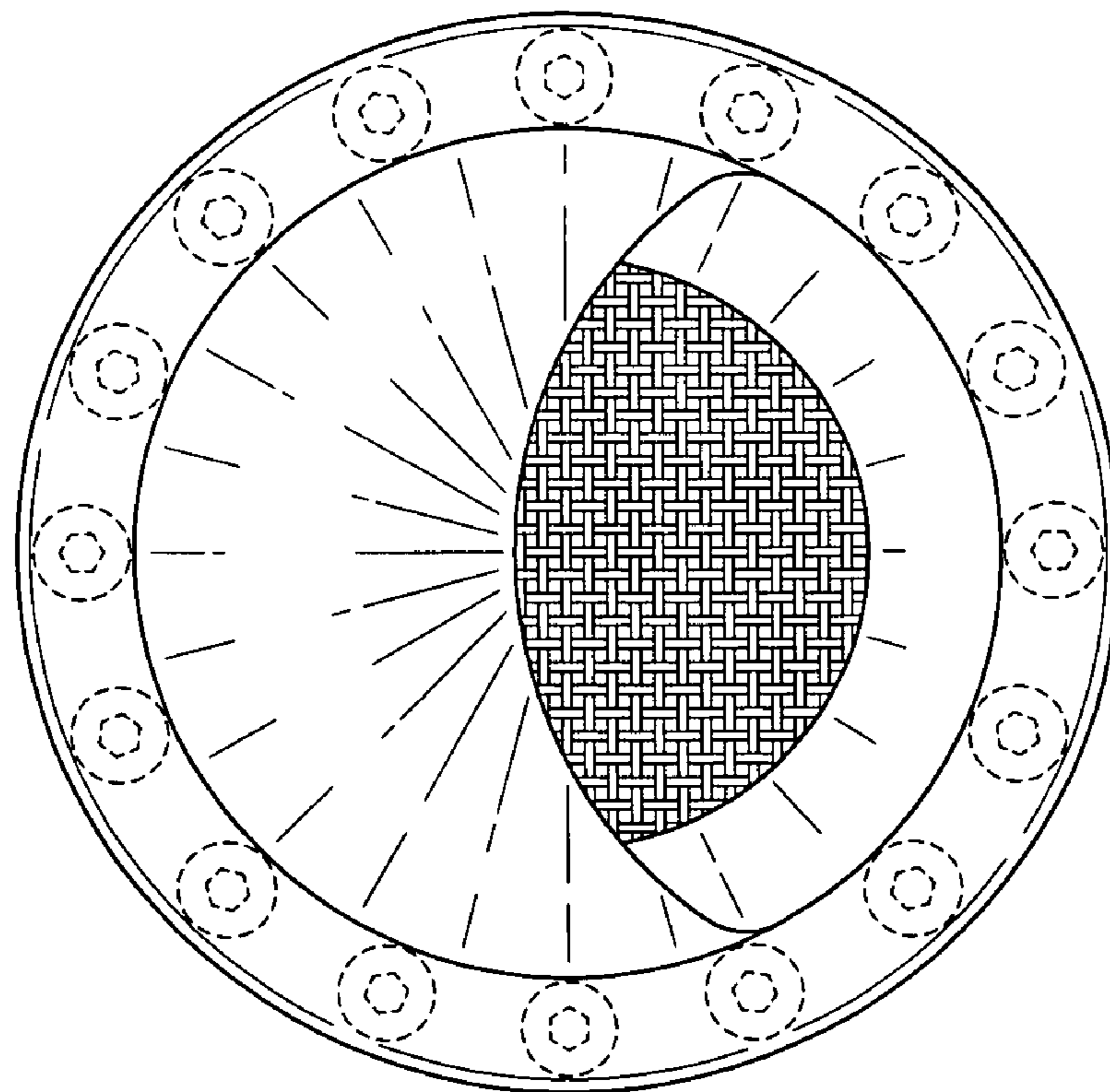


FIG-7