



US00D626055S

(12) **United States Design Patent**
Watson

(10) **Patent No.:** **US D626,055 S**
(45) **Date of Patent:** **** Oct. 26, 2010**

- (54) **ADAPTER PLATE WITH EXTENSION FOR FUEL TANK**
- (76) Inventor: **Kenneth A. Watson**, 10240 SE. Mather Rd., Clackamas, OR (US) 97015
- (**) Term: **14 Years**
- (21) Appl. No.: **29/316,994**
- (22) Filed: **Nov. 16, 2009**
- (51) **LOC (9) Cl.** **12-11**
- (52) **U.S. Cl.** **D12/218**
- (58) **Field of Classification Search** D12/218, D12/110, 82, 93-100, 114, 197; D23/240-265; 280/833-835, 288.4; 180/69.4, 219, 225; 220/86.2; 285/12, 80, 92, 148.18-148.25, 285/355, 390, 392; 141/383
See application file for complete search history.

(56) **References Cited**

U.S. PATENT DOCUMENTS

1,866,644	A *	7/1932	Greer	285/238
D262,956	S *	2/1982	McNab et al.	D12/218
D275,984	S *	10/1984	Shaw	D23/260
D301,447	S *	6/1989	Snyder	D12/223
D301,448	S *	6/1989	Snyder	D12/223
5,195,785	A *	3/1993	Jellison	285/80
5,327,946	A *	7/1994	Perkins	141/59
5,516,120	A *	5/1996	Damusis	277/591

D458,354	S *	6/2002	Watson	D23/266
D466,468	S *	12/2002	Watson	D12/218
D592,580	S *	5/2009	Watson	D12/218
7,551,404	B1 *	6/2009	Phu et al.	360/266
D611,577	S *	3/2010	Waymire	D23/266
2004/0201180	A1 *	10/2004	Shah et al.	277/592
2008/0185491	A1 *	8/2008	Bosch et al.	248/346.5

* cited by examiner

Primary Examiner—Philip S Hyder

Assistant Examiner—Linda G. Brooks

(74) *Attorney, Agent, or Firm*—Ingrid McTaggart

(57) **CLAIM**

I claim the ornamental design for an adapter plate with extension for fuel tank, as shown and described.

DESCRIPTION

FIG. 1 is a top plan view of the adapter plate with extension for fuel tank;

FIG. 2 is a bottom plan view thereof;

FIG. 3 is a left side elevational view thereof;

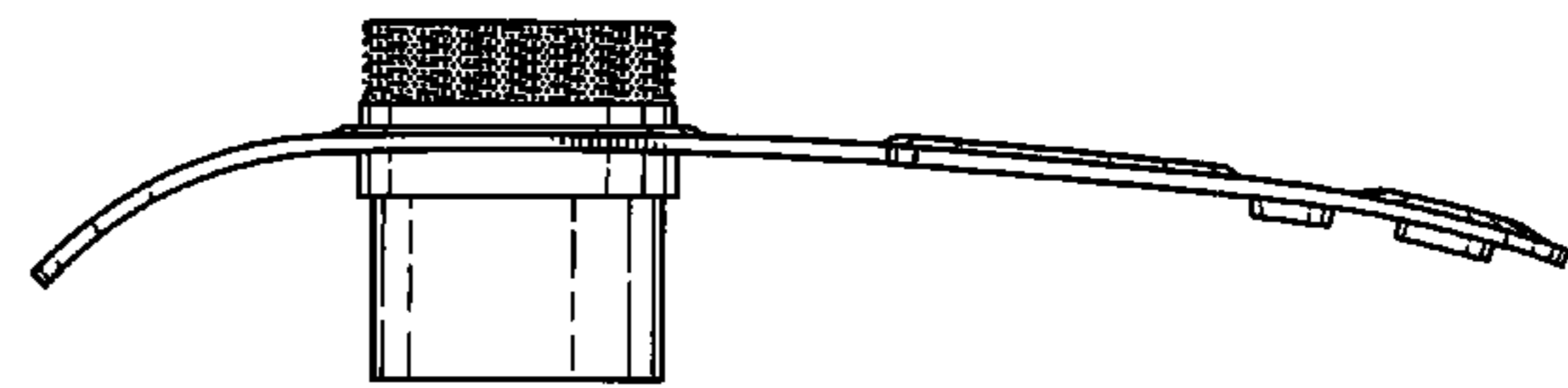
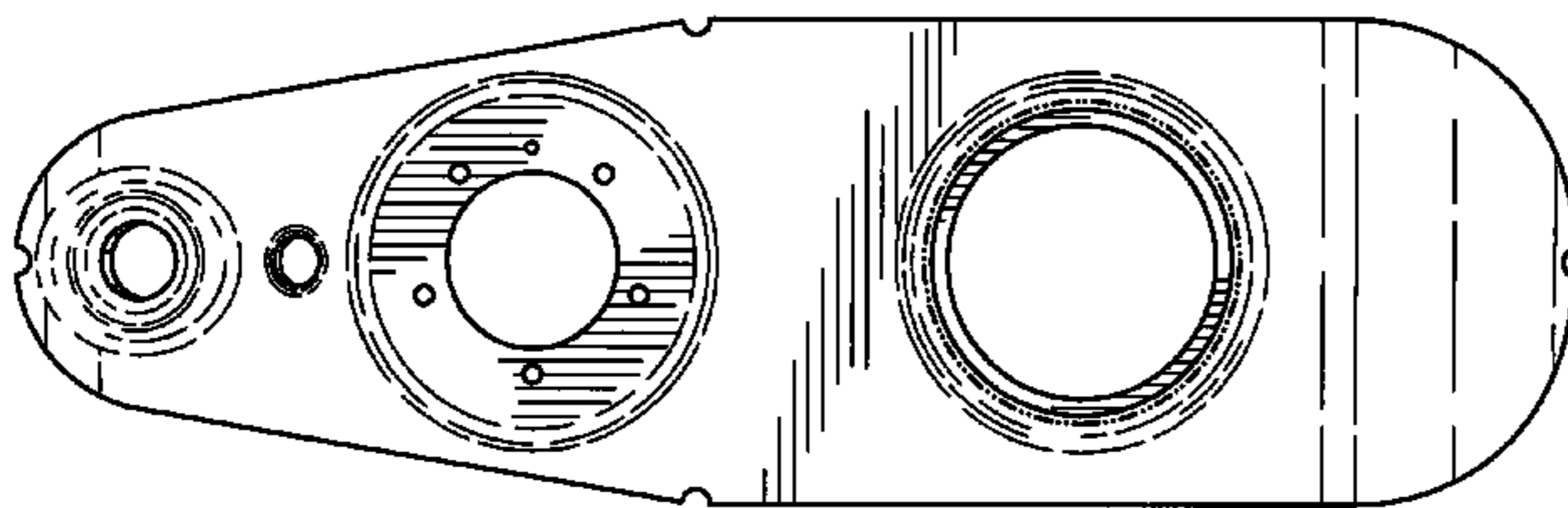
FIG. 4 is a right side elevational view thereof;

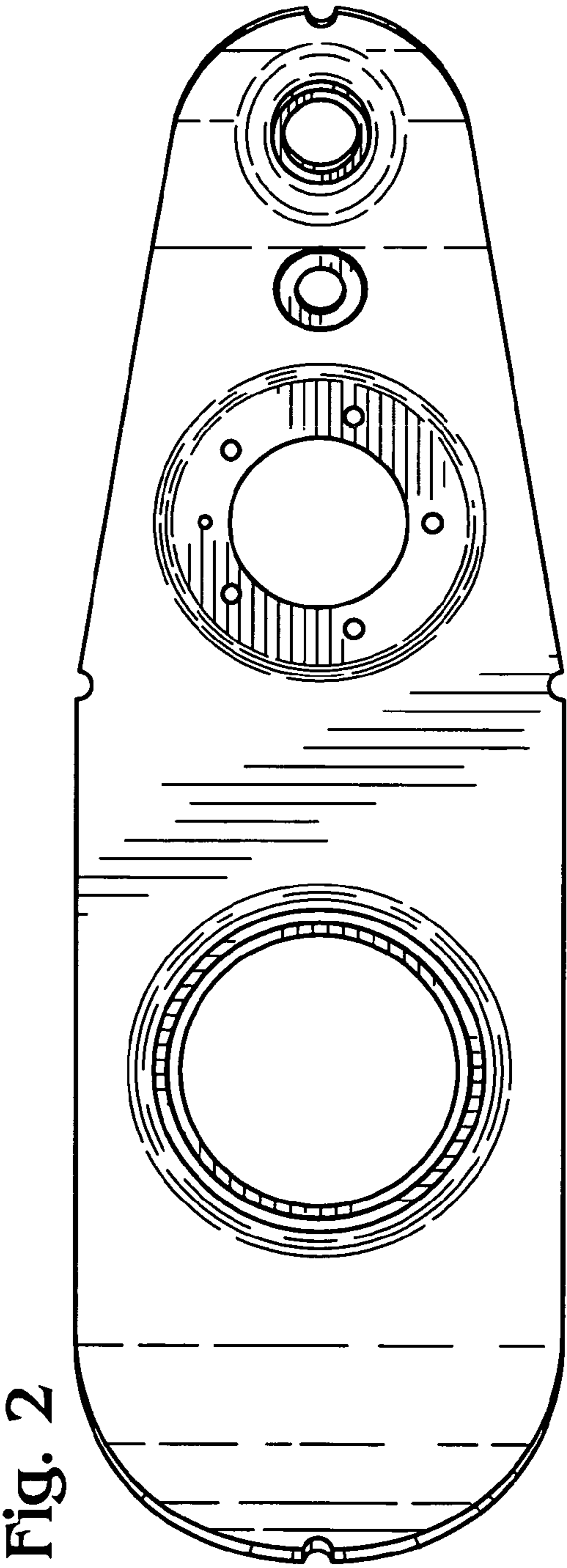
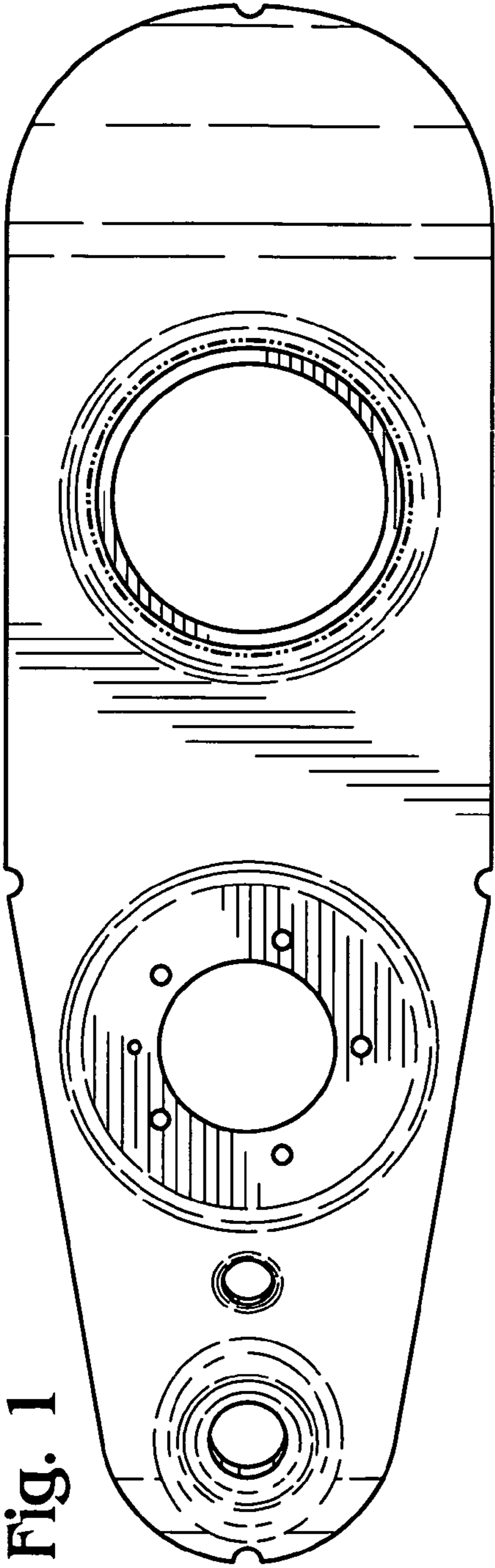
FIG. 5 is a rear elevational view thereof; and,

FIG. 6 is a front elevational view thereof.

The dash lines are provided for purposes of environment and form no part of the claimed design.

1 Claim, 2 Drawing Sheets





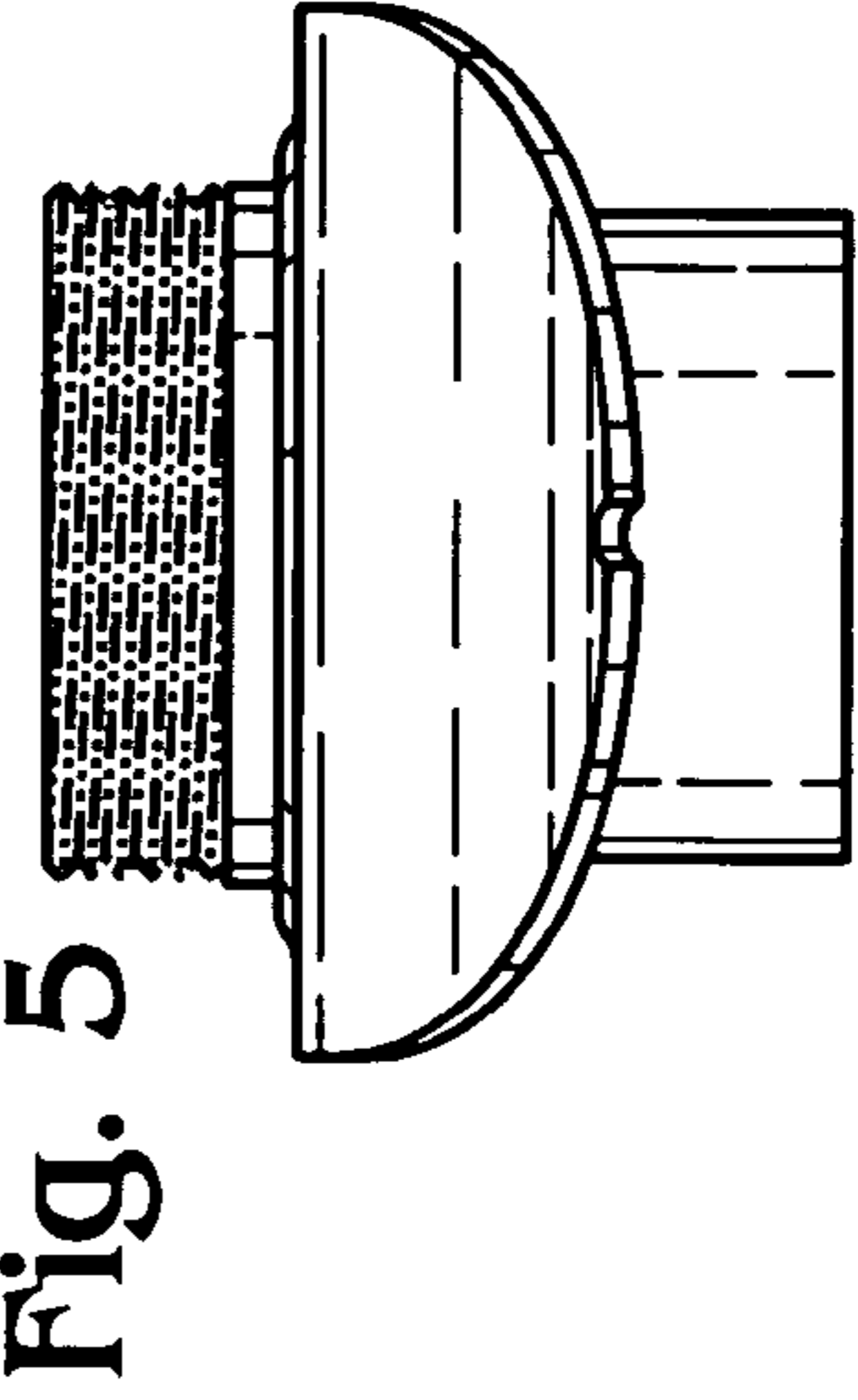
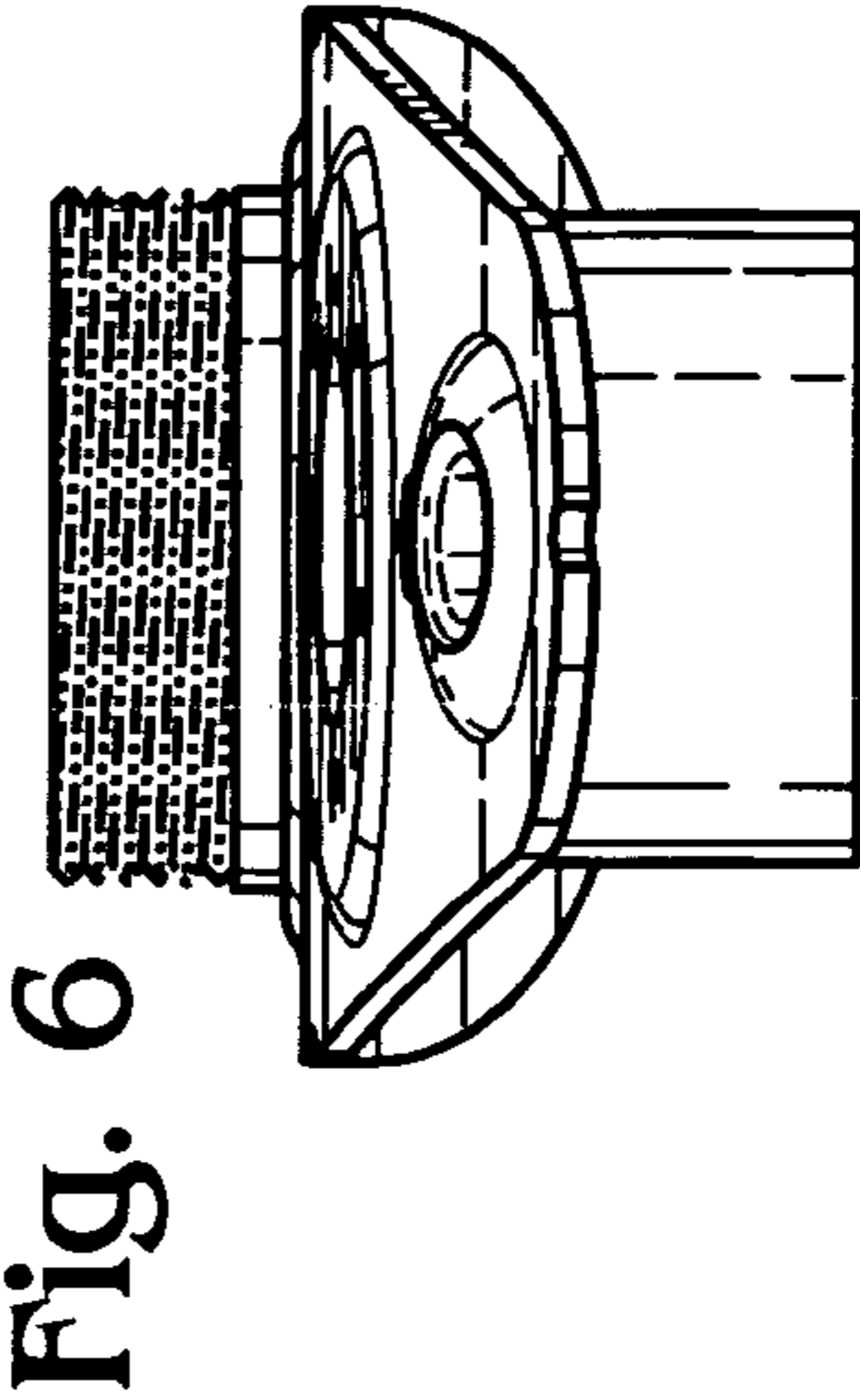
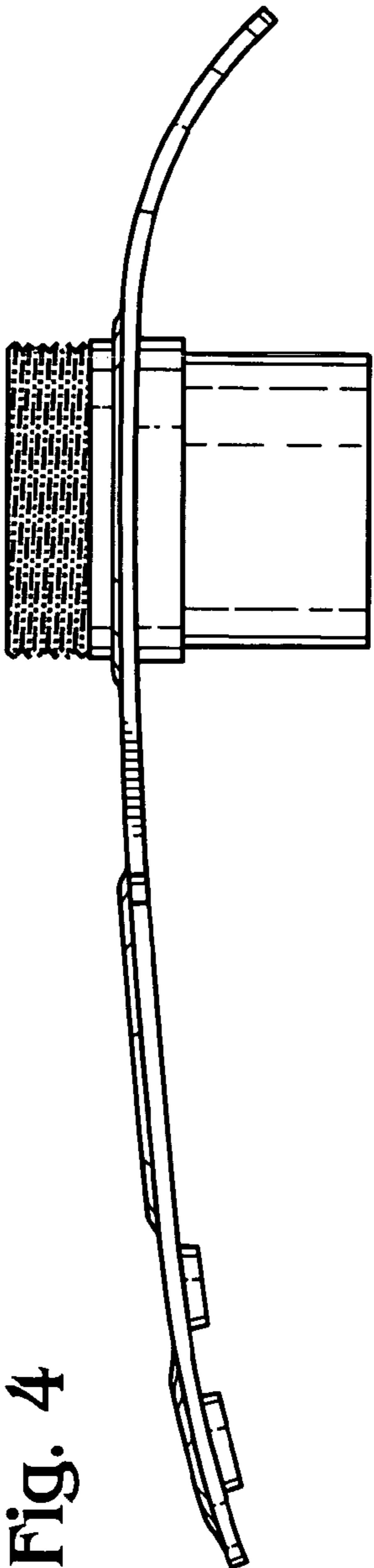
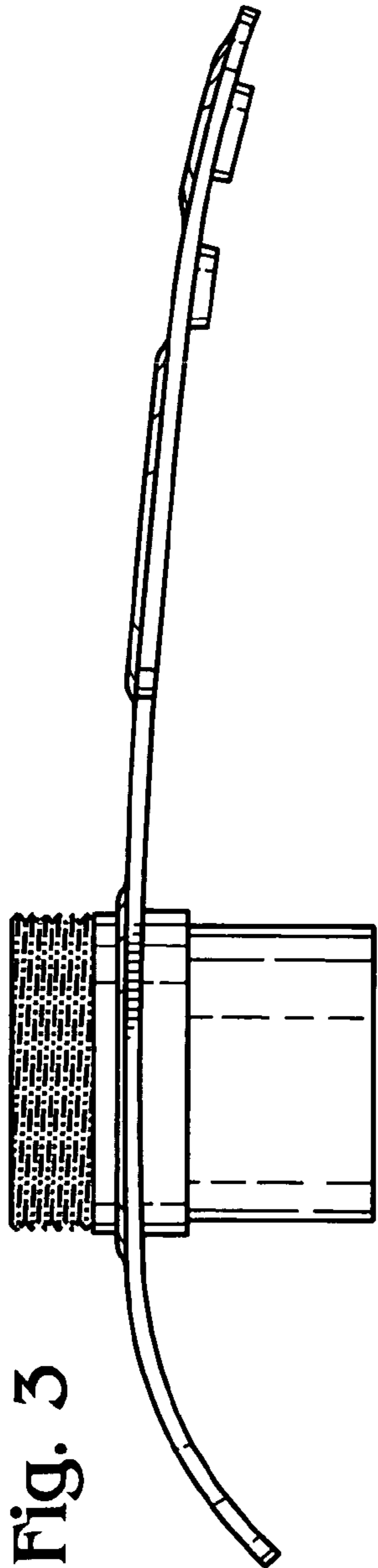


Fig. 3

Fig. 4

Fig. 5

Fig. 6