



US00D626053S

(12) **United States Design Patent**
Groom

(10) **Patent No.:** **US D626,053 S**

(45) **Date of Patent:** **** Oct. 26, 2010**

(54) **WHEEL**

(75) **Inventor:** **Colbey Groom**, Murrieta, CA (US)

(73) **Assignee:** **Wheel Pros, LLC**, Lakewood, CO (US)

(**) **Term:** **14 Years**

(21) **Appl. No.:** **29/351,925**

(22) **Filed:** **Dec. 14, 2009**

(51) **LOC (9) Cl.** **12-16**

(52) **U.S. Cl.** **D12/211**

(58) **Field of Classification Search** D12/204-213;
301/37.101, 64.101, 65, 64.201

See application file for complete search history.

(56) **References Cited**

U.S. PATENT DOCUMENTS

D405,749 S *	2/1999	Kulla	D12/211
D432,974 S *	10/2000	Jablonski	D12/211
D450,647 S *	11/2001	Pfeiffer	D12/211
D457,478 S *	5/2002	Minamisawa	D12/211
D513,487 S *	1/2006	Wachtler	D12/209
D521,438 S *	5/2006	Nordmann	D12/211
D526,610 S *	8/2006	Muzzarelli	D12/211
D542,728 S *	5/2007	Ichinose	D12/211
D589,428 S *	3/2009	Scheu	D12/211
D590,319 S *	4/2009	Juergens et al.	D12/211
D594,397 S *	6/2009	Laengerer	D12/211
D597,919 S *	8/2009	Atwell	D12/211
D598,834 S *	8/2009	Juergens et al.	D12/209

* cited by examiner

Primary Examiner—Stacia Cadmus

(74) *Attorney, Agent, or Firm*—Garcia Zamor IP Law; Ruy M. Garcia-Zamor

(57) **CLAIM**

The ornamental design for a wheel, as shown and described.

DESCRIPTION

FIG. 1 is a perspective view of a wheel according to a first preferred embodiment of my new design;

FIG. 2 is a front elevational view of the wheel of FIG. 1;

FIG. 3 is a left side elevational view of the wheel of FIG. 1;

FIG. 4 is a right side elevational view of the wheel of FIG. 1;

FIG. 5 is a top plan view of the wheel of FIG. 1;

FIG. 6 is a bottom plan view of the wheel of FIG. 1;

FIG. 7 is a rear elevational view of the wheel of FIG. 1;

FIG. 8 is a perspective view of a wheel according to a second preferred embodiment of my new design;

FIG. 9 is a front elevational view of the wheel of FIG. 8;

FIG. 10 is a left side elevational view of the wheel of FIG. 8;

FIG. 11 is a right side elevational view of the wheel of FIG. 8;

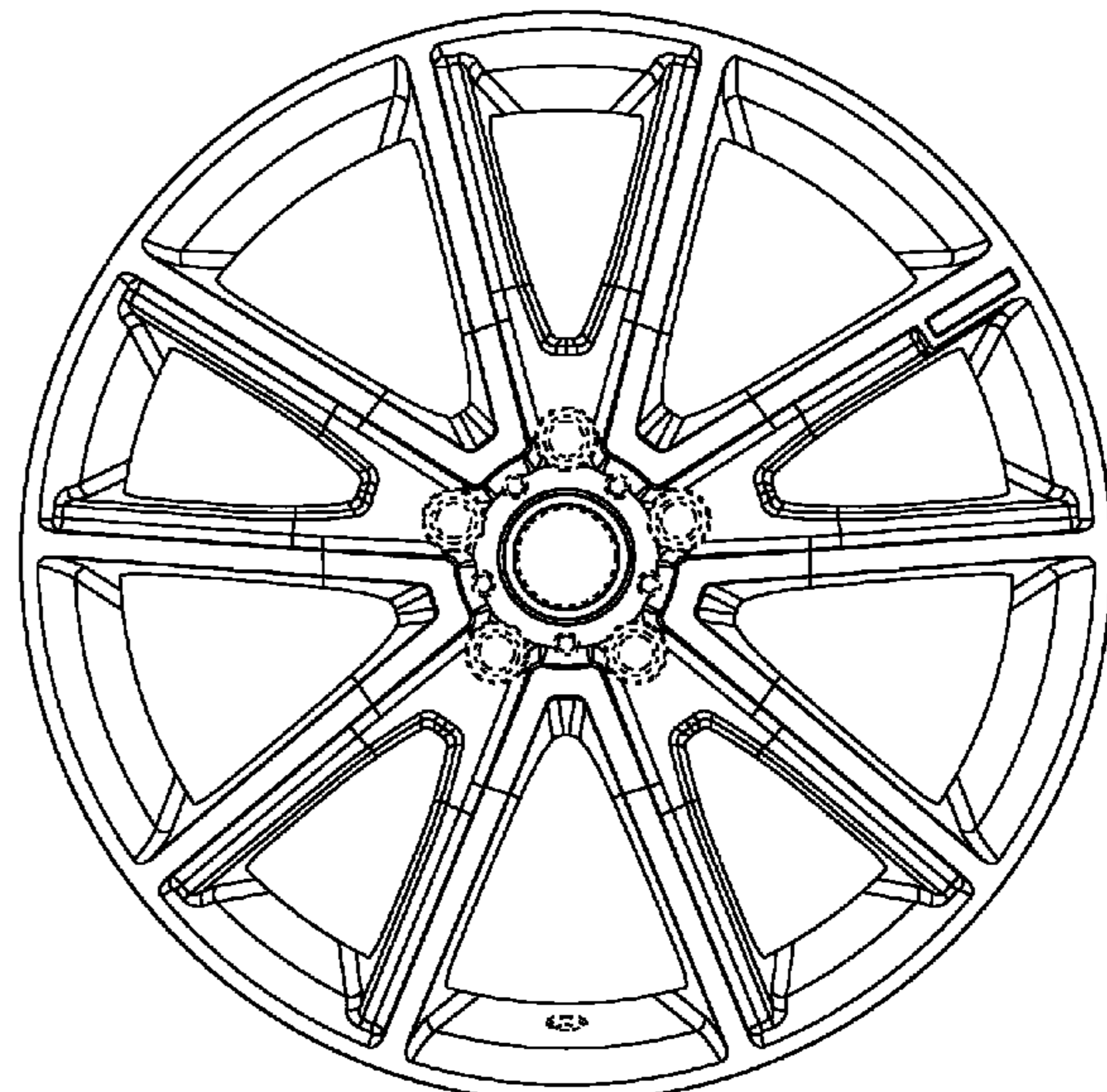
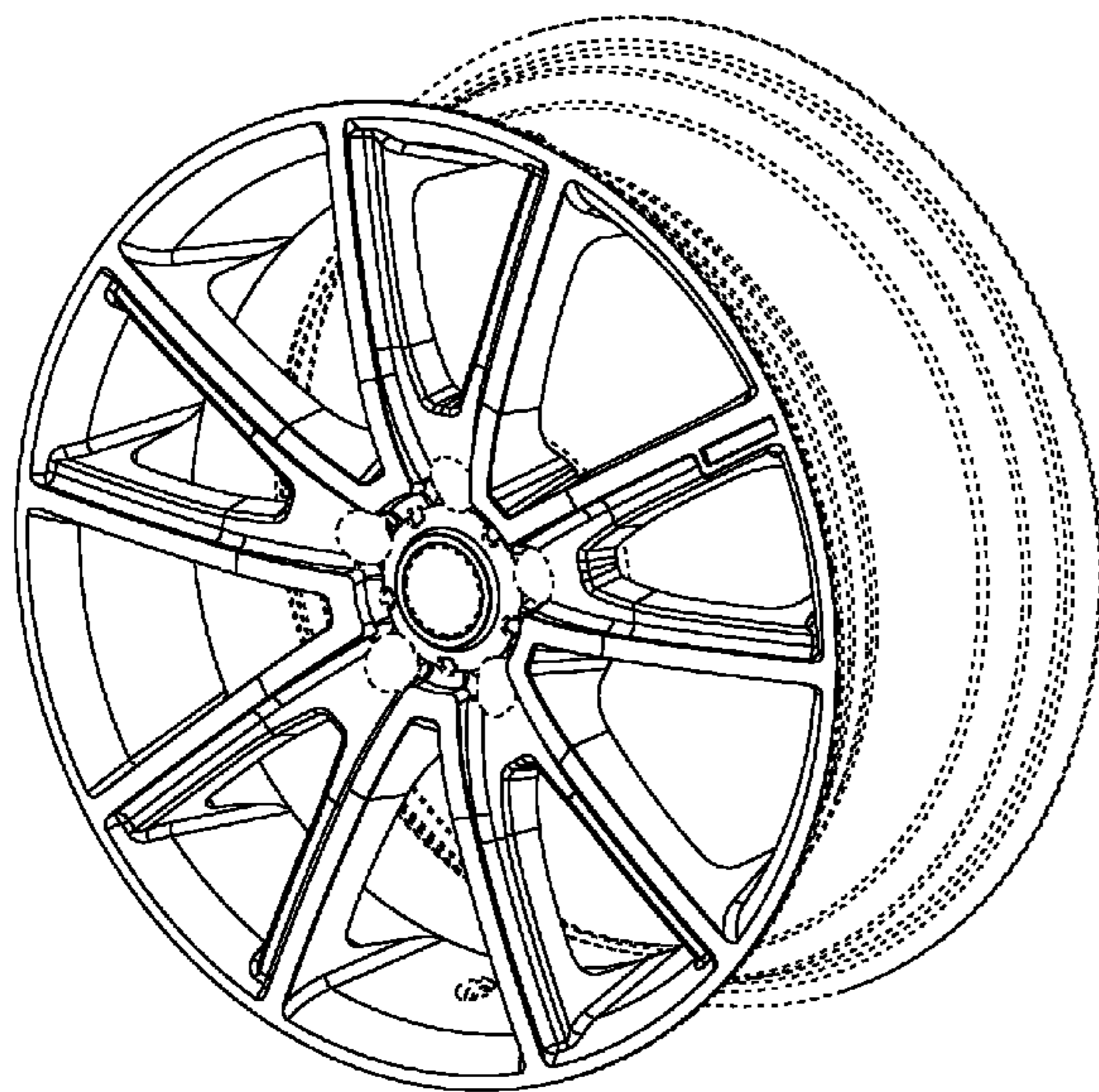
FIG. 12 is a top plan view of the wheel of FIG. 8;

FIG. 13 is a bottom plan view of the wheel of FIG. 8; and,

FIG. 14 is a rear elevational view of the wheel of FIG. 8.

The broken lines in FIGS. 1-14 represent environment and are for illustrative purposes only and do not constitute part of the claimed design.

1 Claim, 12 Drawing Sheets



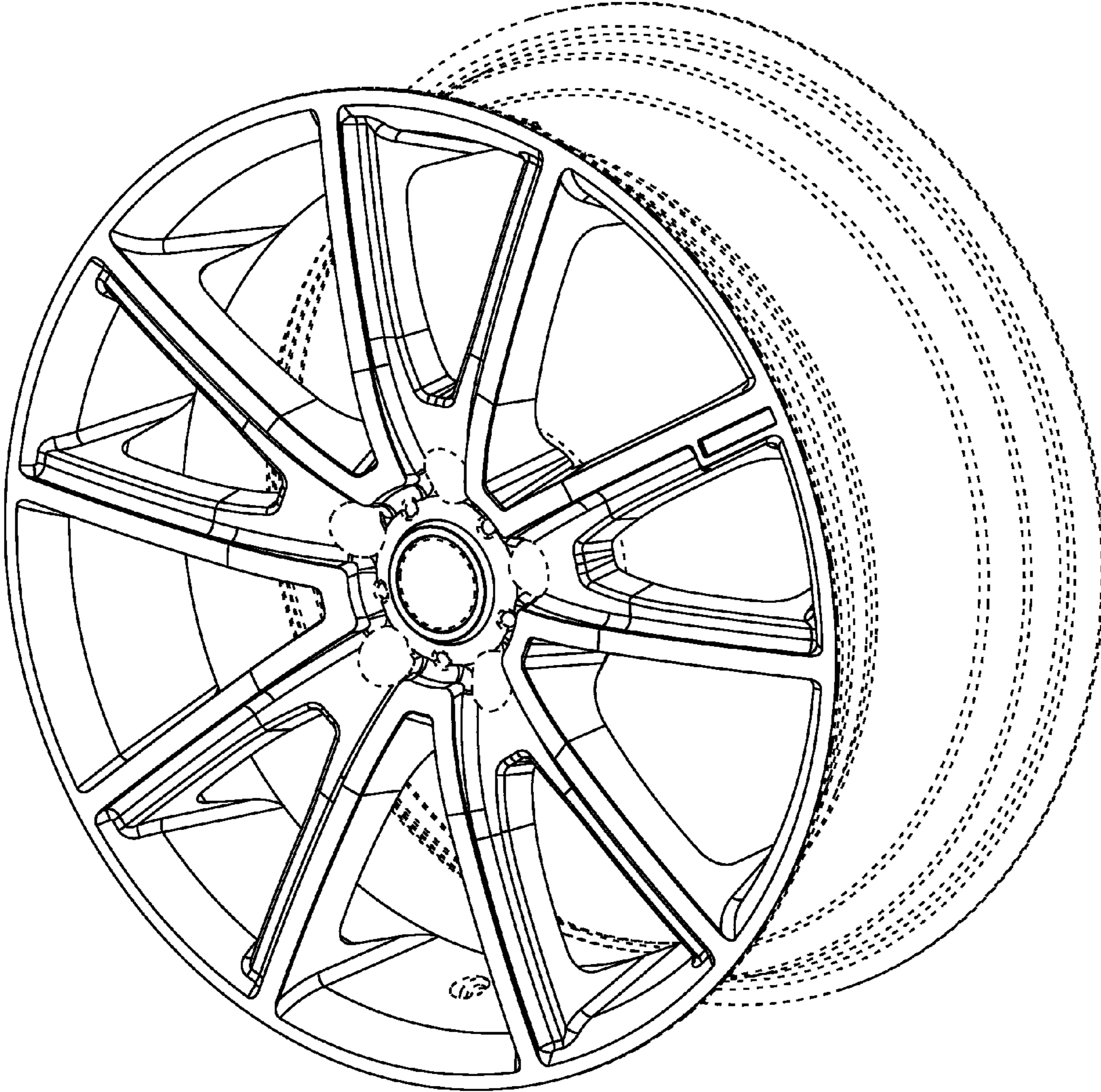


FIG. 1

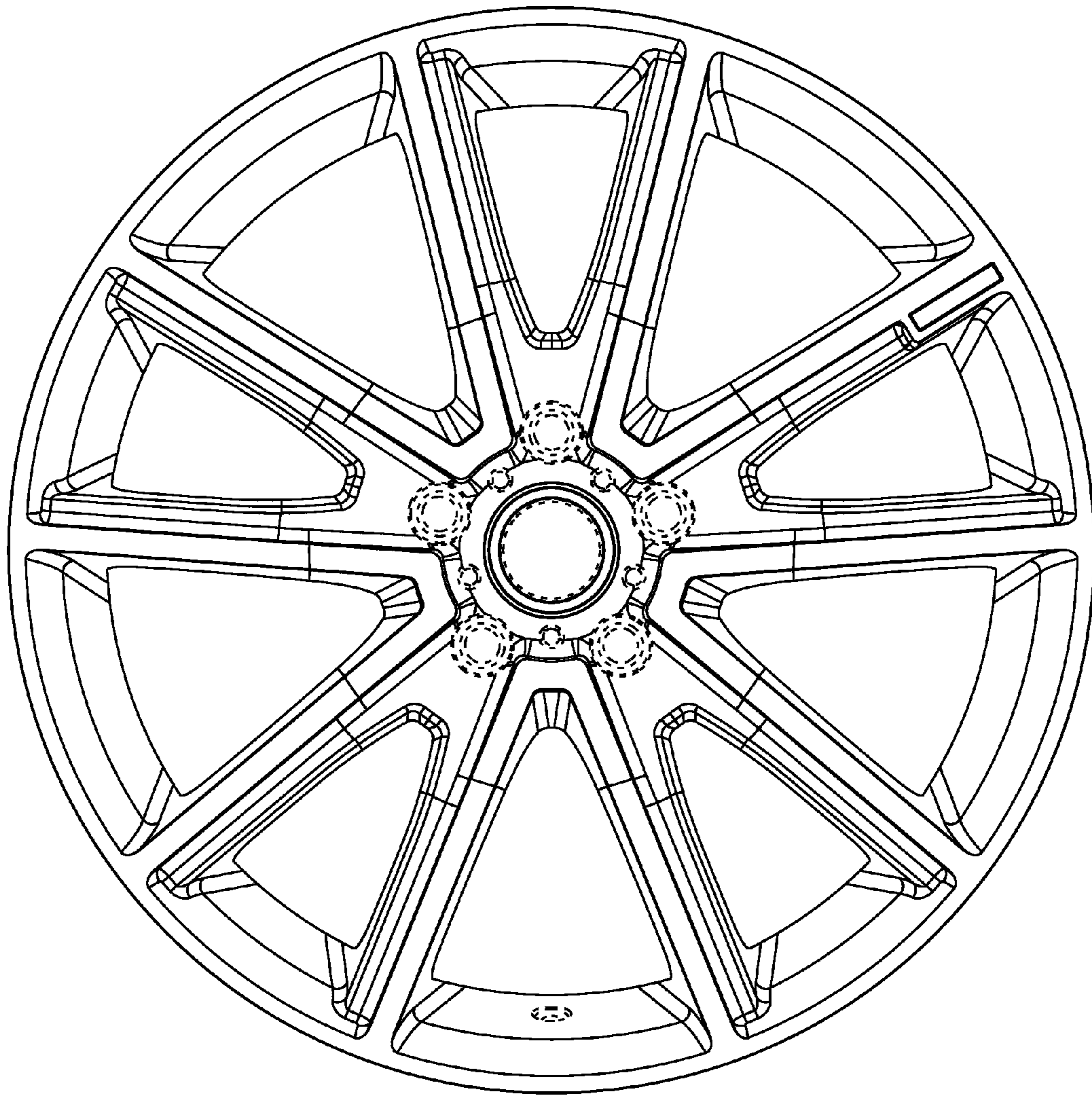


FIG. 2

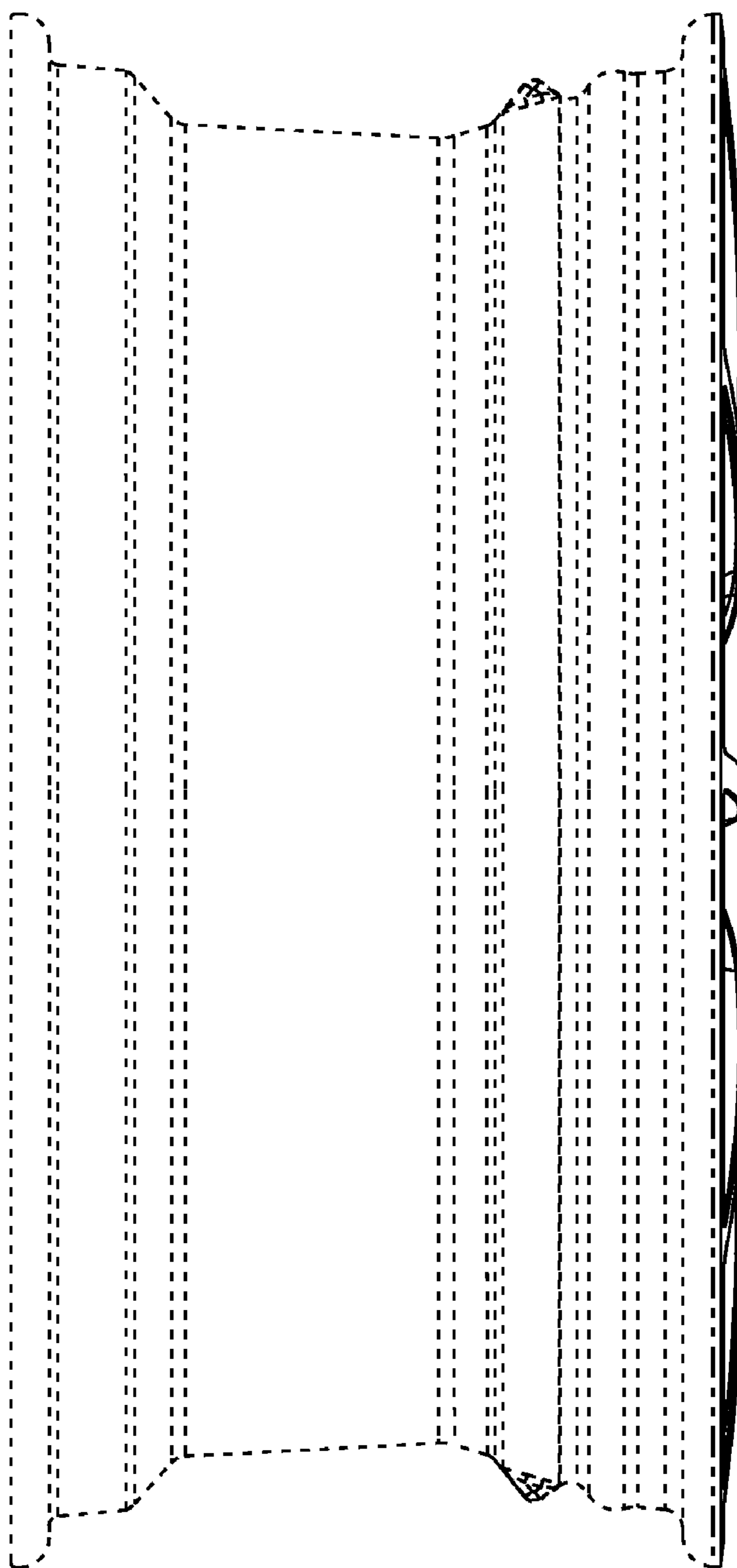


FIG. 3

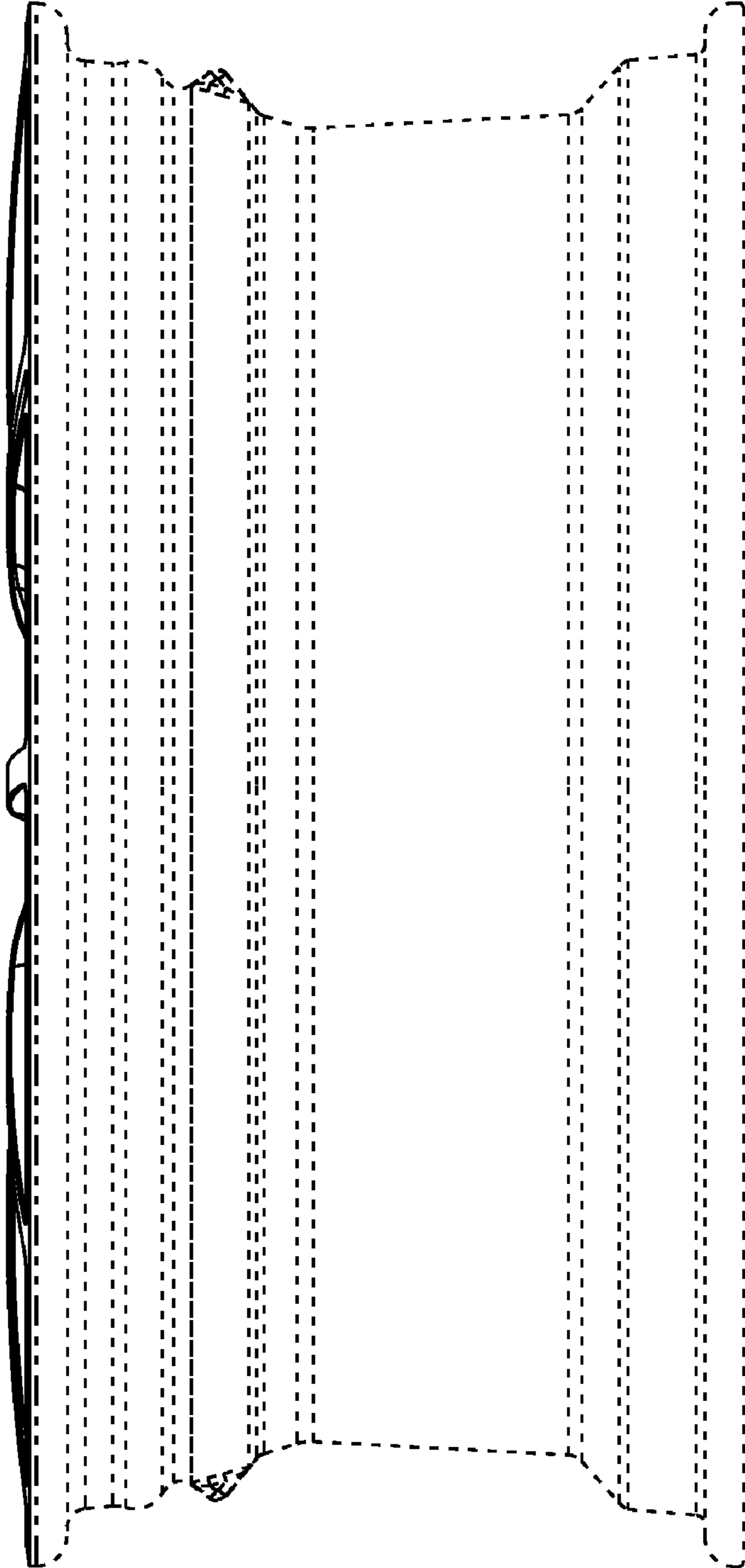


FIG. 4

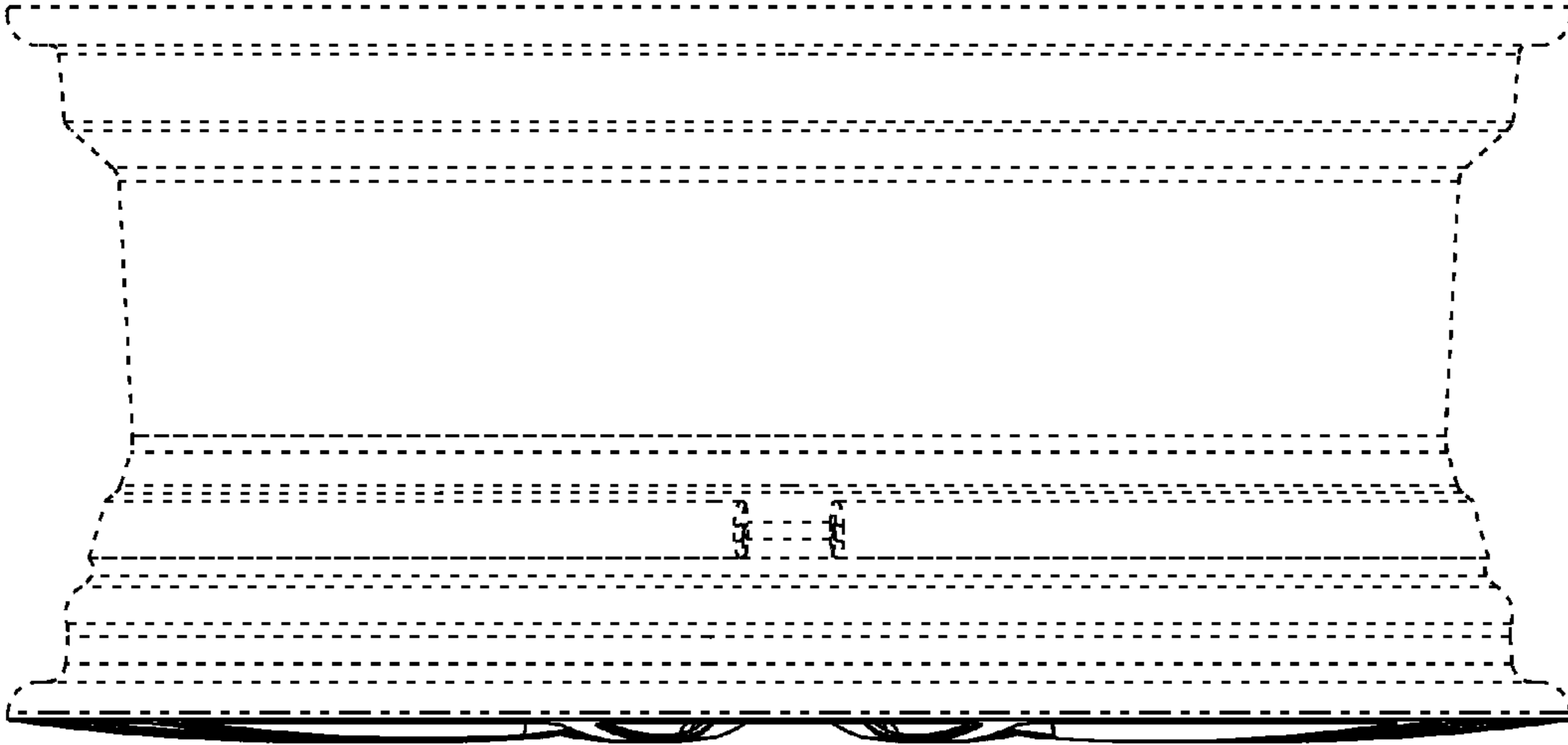


FIG. 5

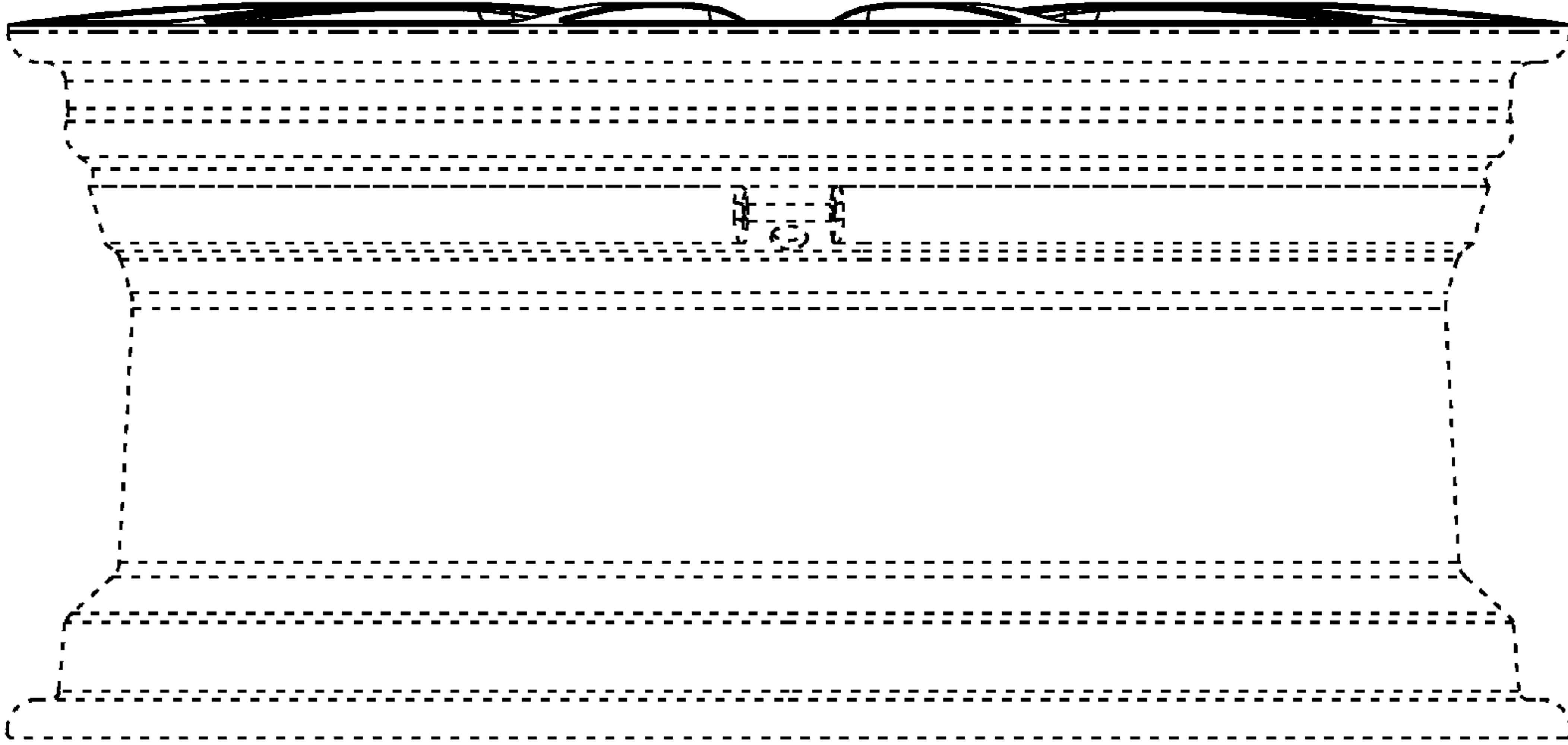


FIG. 6

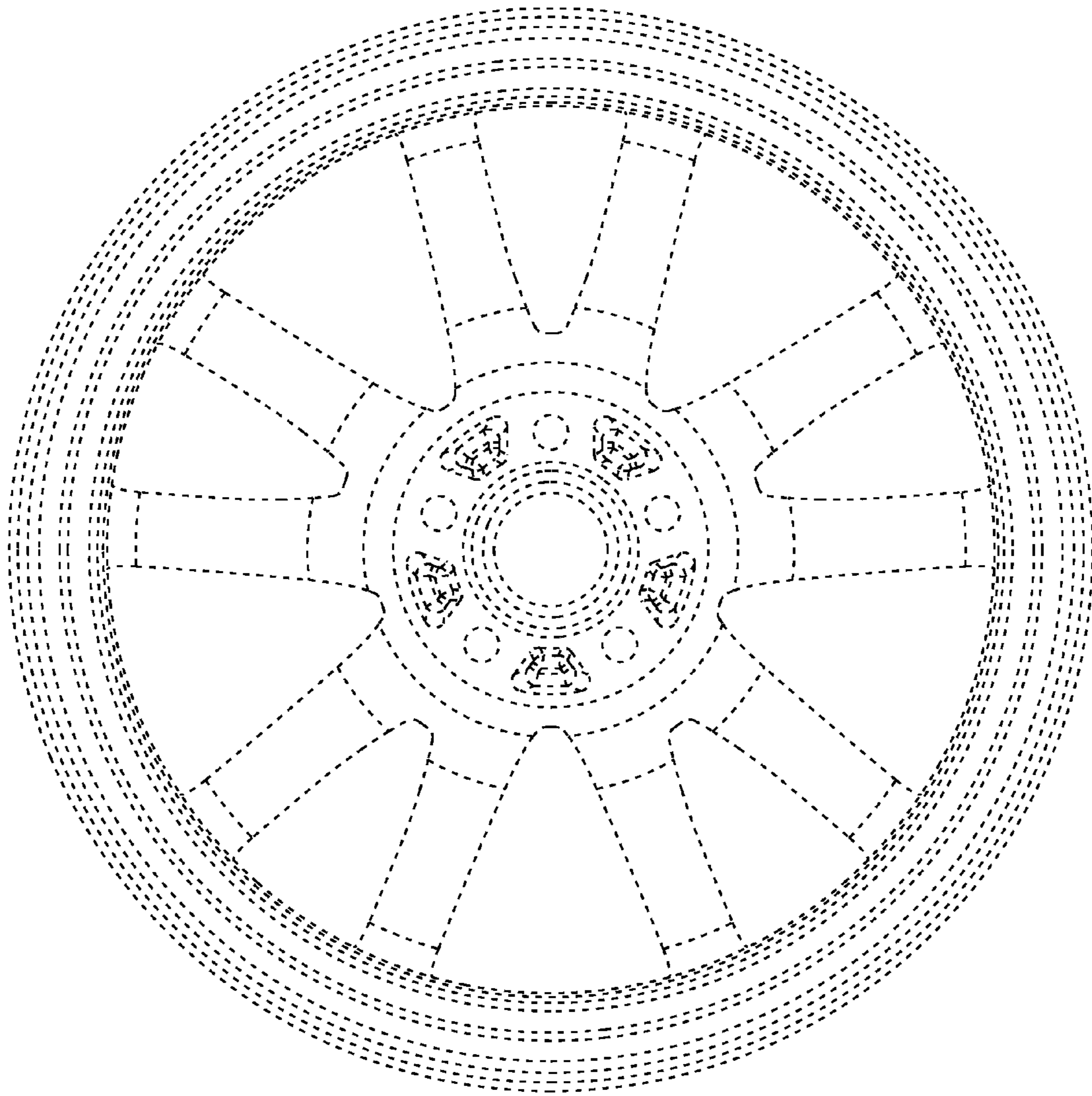


FIG. 7

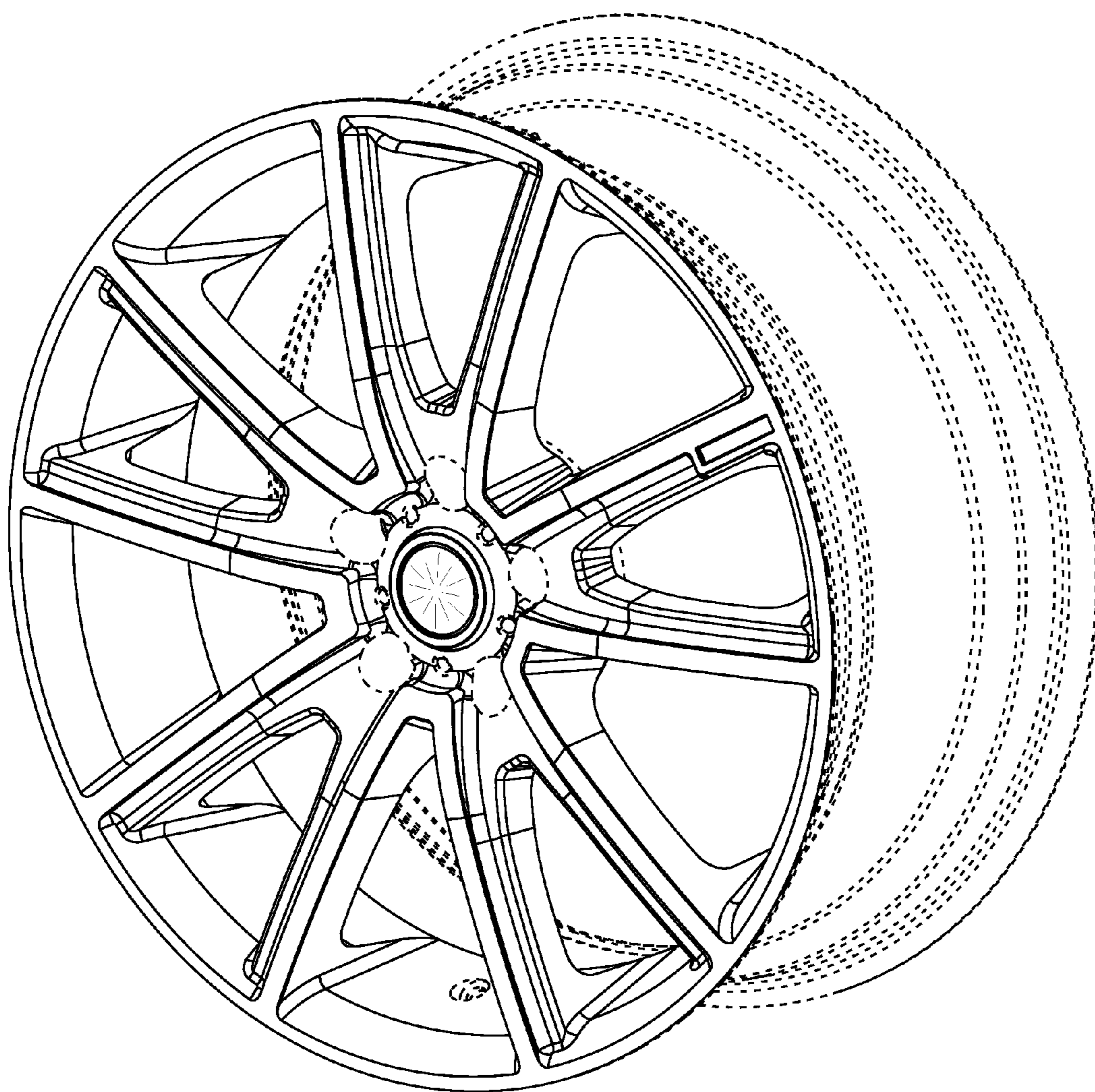


FIG. 8

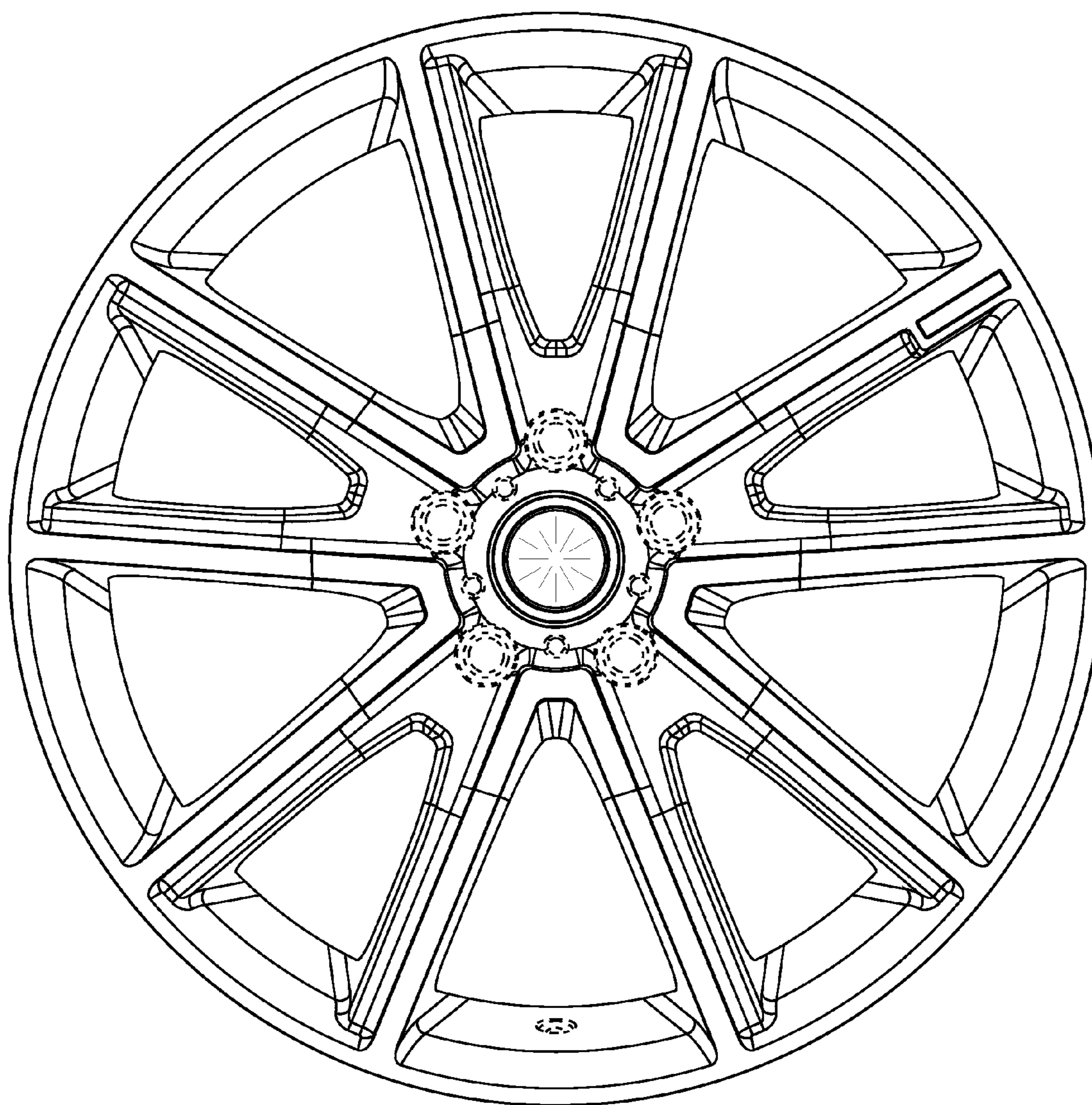


FIG. 9

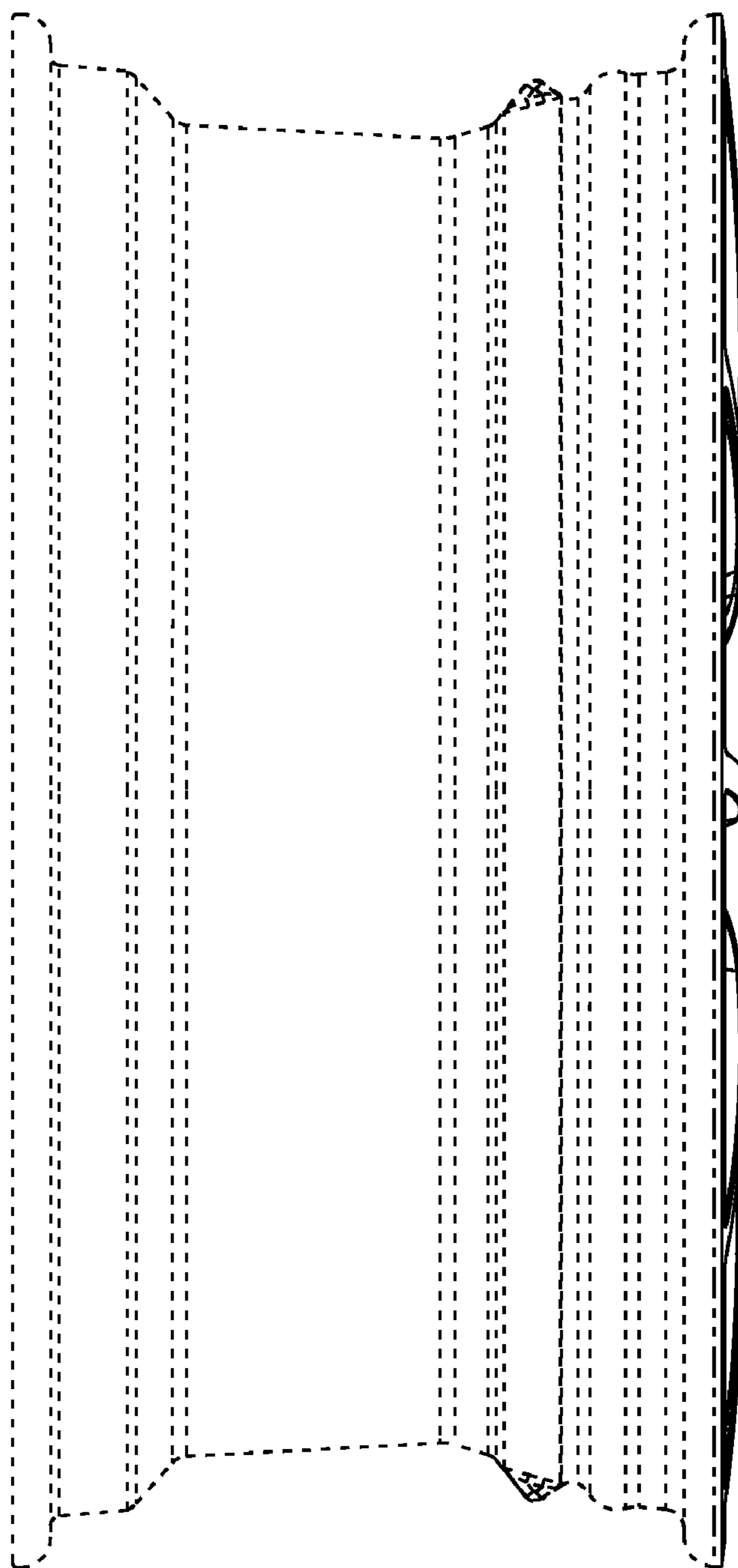


FIG. 10

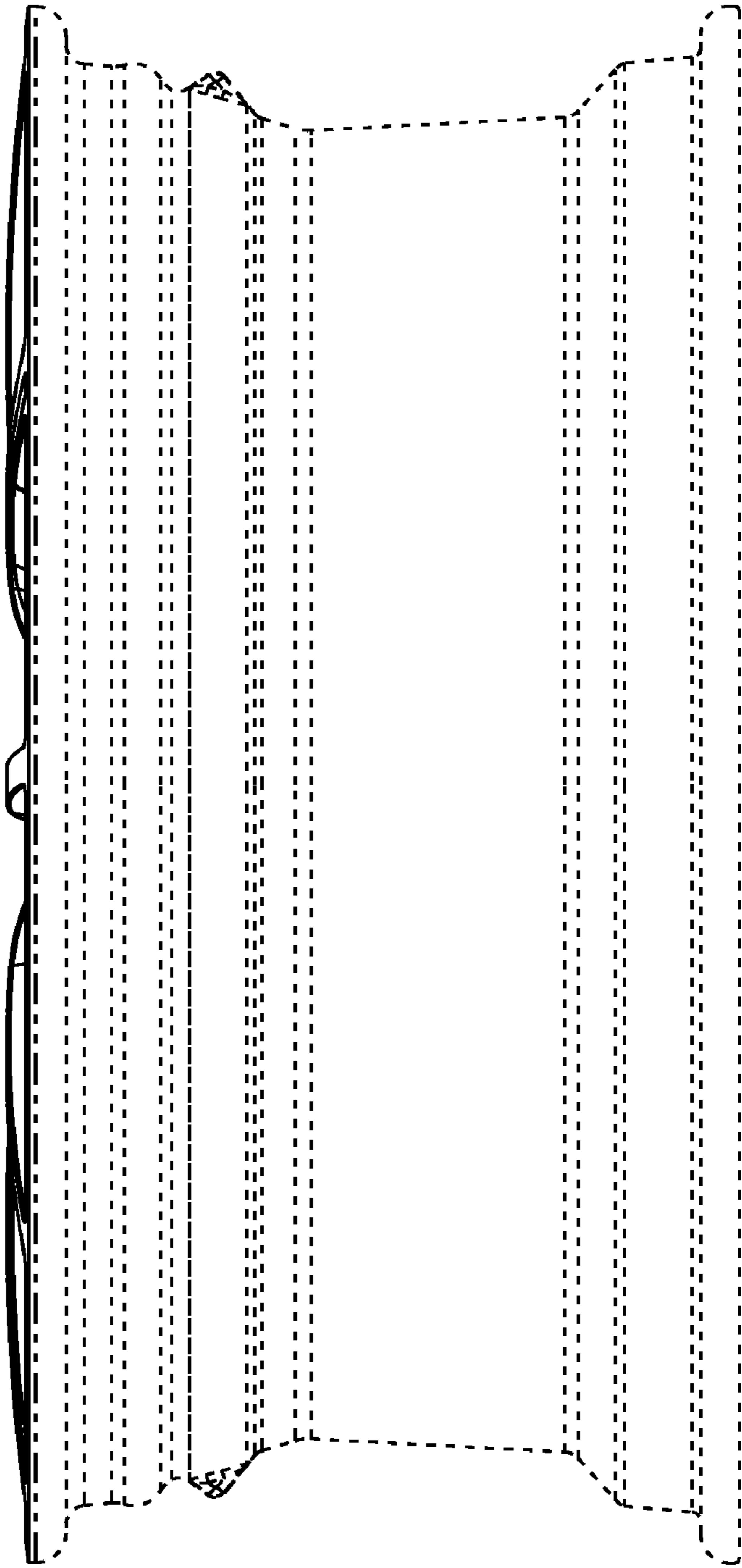


FIG. 11

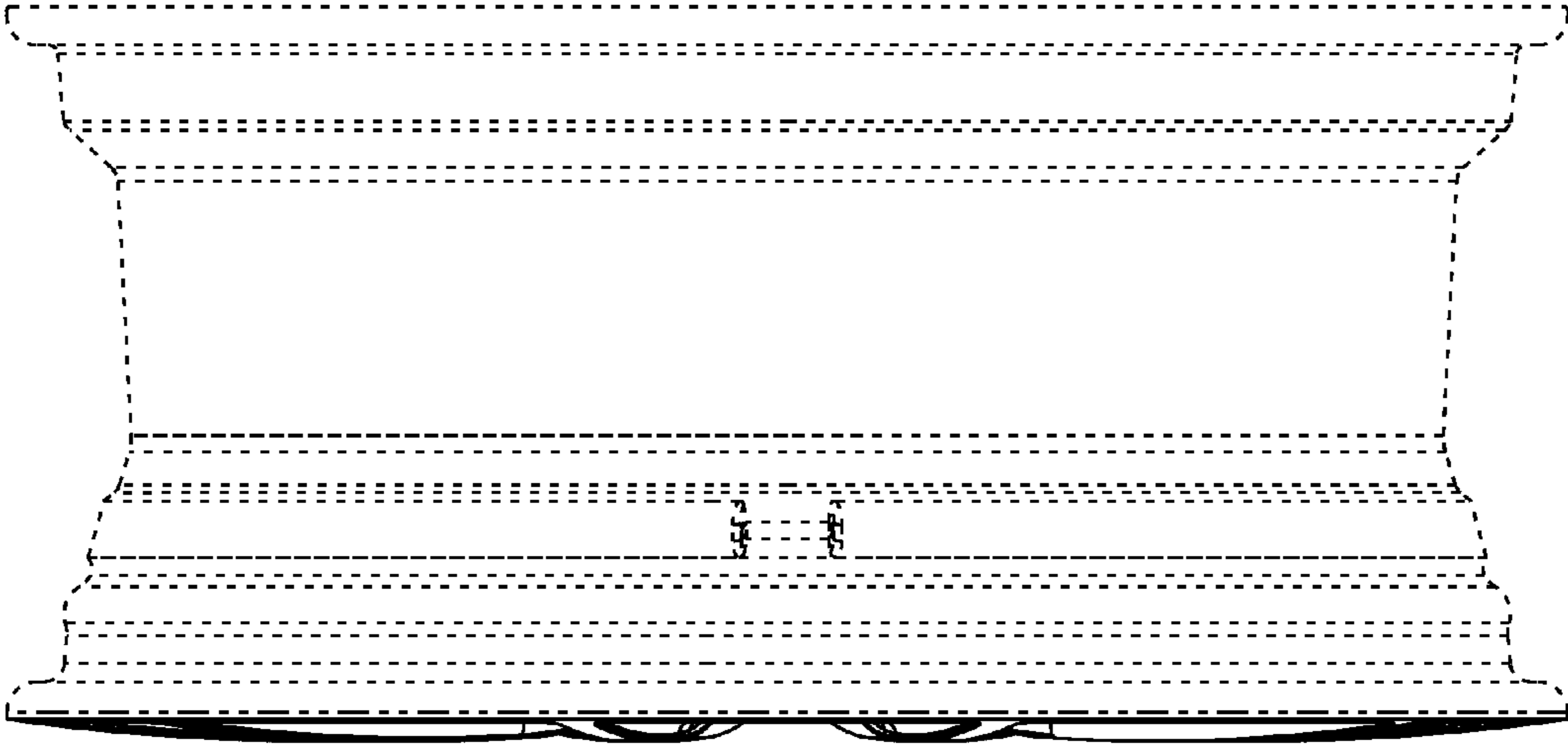


FIG. 12

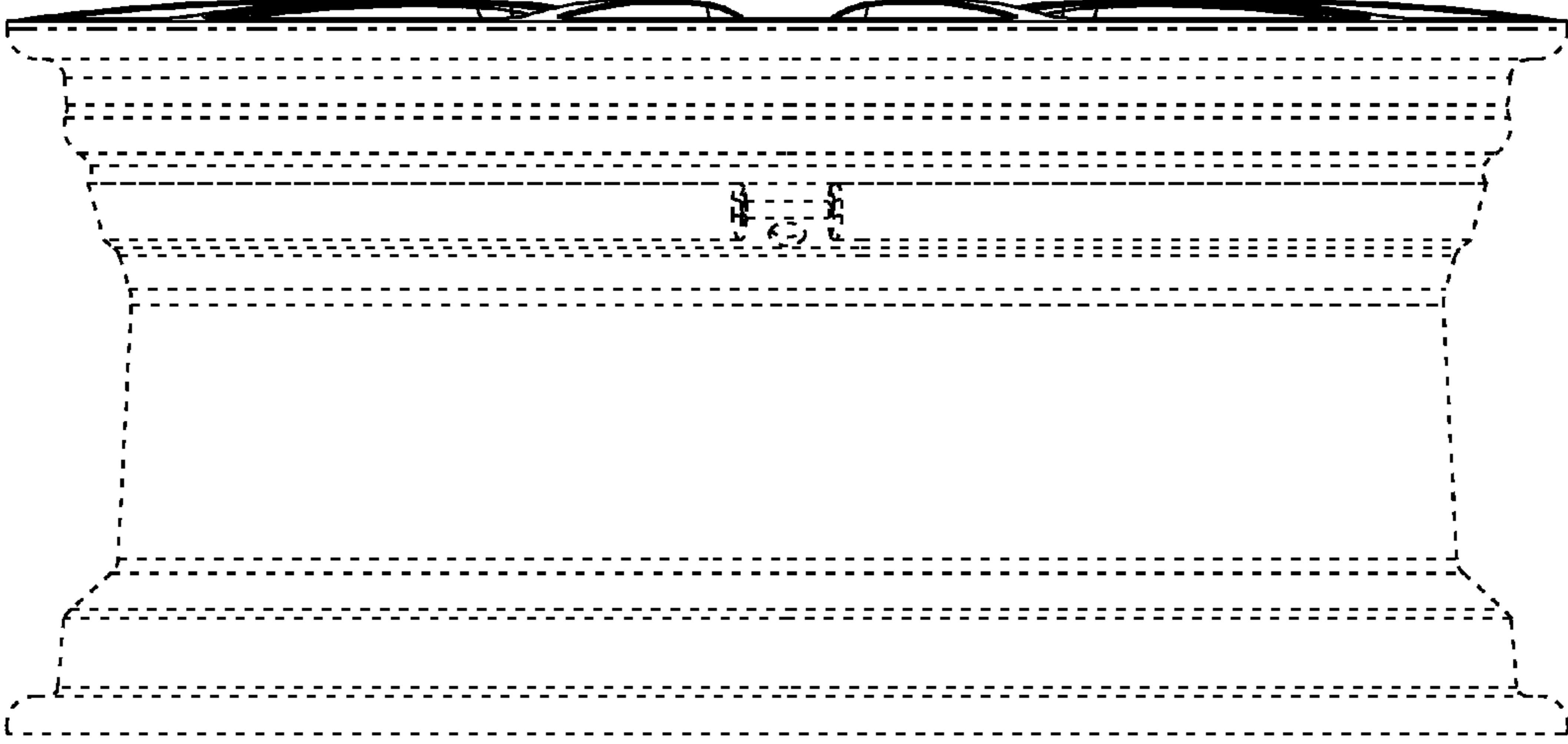


FIG. 13

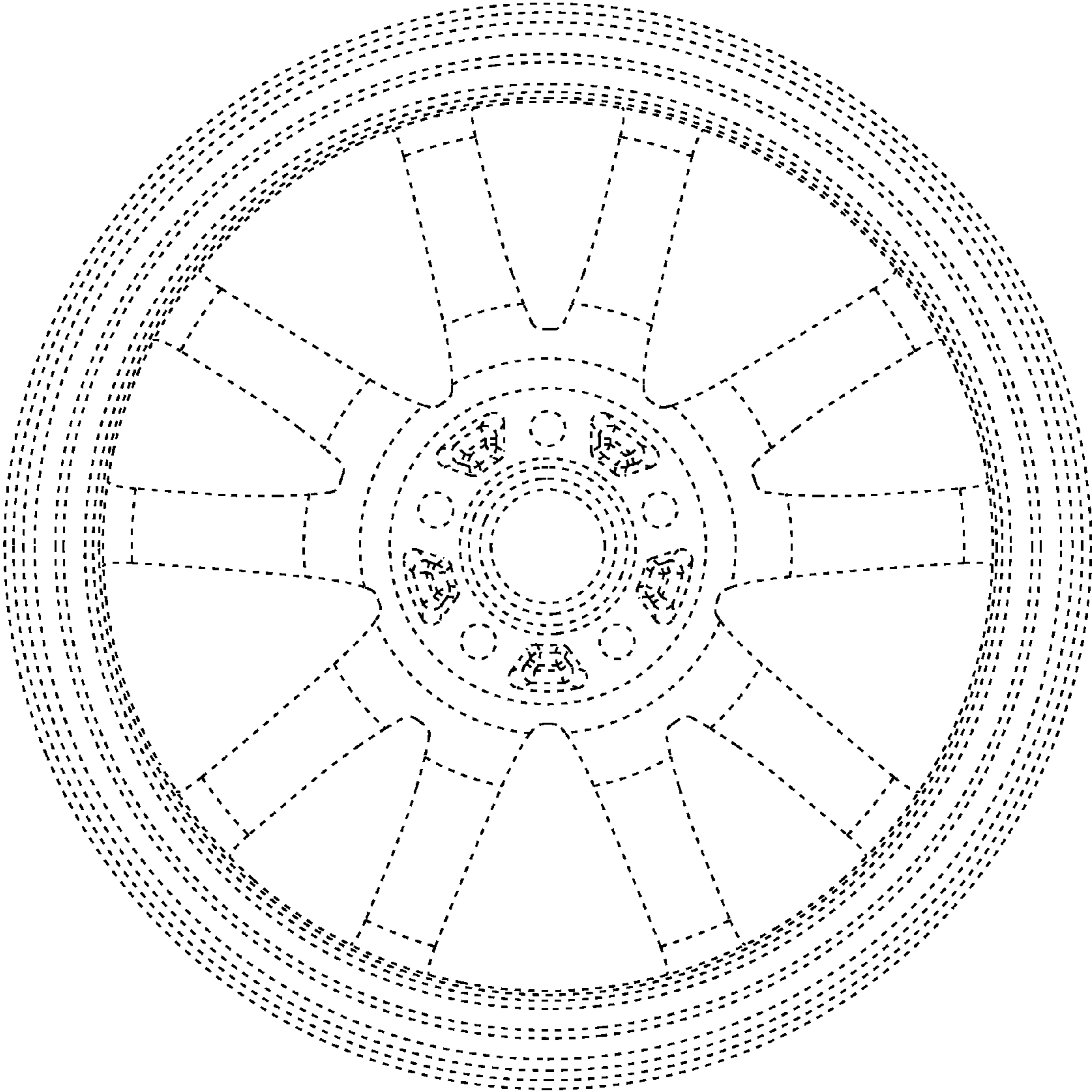


FIG. 14