



US00D626052S

(12) **United States Design Patent**
Majdandzic

(10) **Patent No.:** **US D626,052 S**
(45) **Date of Patent:** **** Oct. 26, 2010**

(54) **WHEEL OR WHEEL COVER**

(75) Inventor: **Mario Majdandzic**, Munich (DE)

(73) Assignee: **Bayerische Motoren Werke Aktiengesellschaft**, Munich (DE)

(**) Term: **14 Years**

(21) Appl. No.: **29/358,949**

(22) Filed: **Apr. 2, 2010**

(30) **Foreign Application Priority Data**

Oct. 5, 2009 (DE) 402009004887

(51) **LOC (9) Cl.** **12-16**

(52) **U.S. Cl.** **D12/209**

(58) **Field of Classification Search** D12/204–213;
301/37.101, 64.101, 65, 64.201
See application file for complete search history.

(56) **References Cited**

U.S. PATENT DOCUMENTS

D449,812 S	*	10/2001	Penzes	D12/211
D496,318 S	*	9/2004	Cheng	D12/209
D516,988 S		3/2006	Laengerer		
D522,433 S	*	6/2006	Szavits	D12/209
D522,434 S	*	6/2006	Langer	D12/209
D539,204 S	*	3/2007	Pollmann	D12/209
D567,735 S	*	4/2008	Young	D12/209
D587,181 S	*	2/2009	Musser	D12/209
D597,919 S	*	8/2009	Atwell	D12/211
D608,713 S	*	1/2010	Bucher et al.	D12/209
D613,657 S	*	4/2010	Cortes	D12/209
D614,558 S	*	4/2010	Luciani et al.	D12/209
D617,243 S	*	6/2010	Juergens et al.	D12/209

FOREIGN PATENT DOCUMENTS

EM	000226436-0001	11/2004
EM	001621541-0001	10/2009
EM	001636978-0002	11/2009
EM	001636978-0003	11/2009
EM	001636978-0009	11/2009
EM	001636978-0018	11/2009
EM	001658154-0002	5/2010

* cited by examiner

Primary Examiner—Stacia Cadmus

(74) *Attorney, Agent, or Firm*—Crowell & Moring LLP

(57) **CLAIM**

The ornamental design for a wheel or wheel cover, as shown and described.

DESCRIPTION

This application contains subject matter related to the following copending U.S. design patent applications:

Application Ser. No. 29/347,276, filed Nov. 19, 2009;

Application Ser. No. 29/347,272, filed Nov. 19, 2009;

Application Ser. No. 29/347,280, filed Nov. 19, 2009;

Application Ser. No. 29/350,138, filed Nov. 12, 2009; and

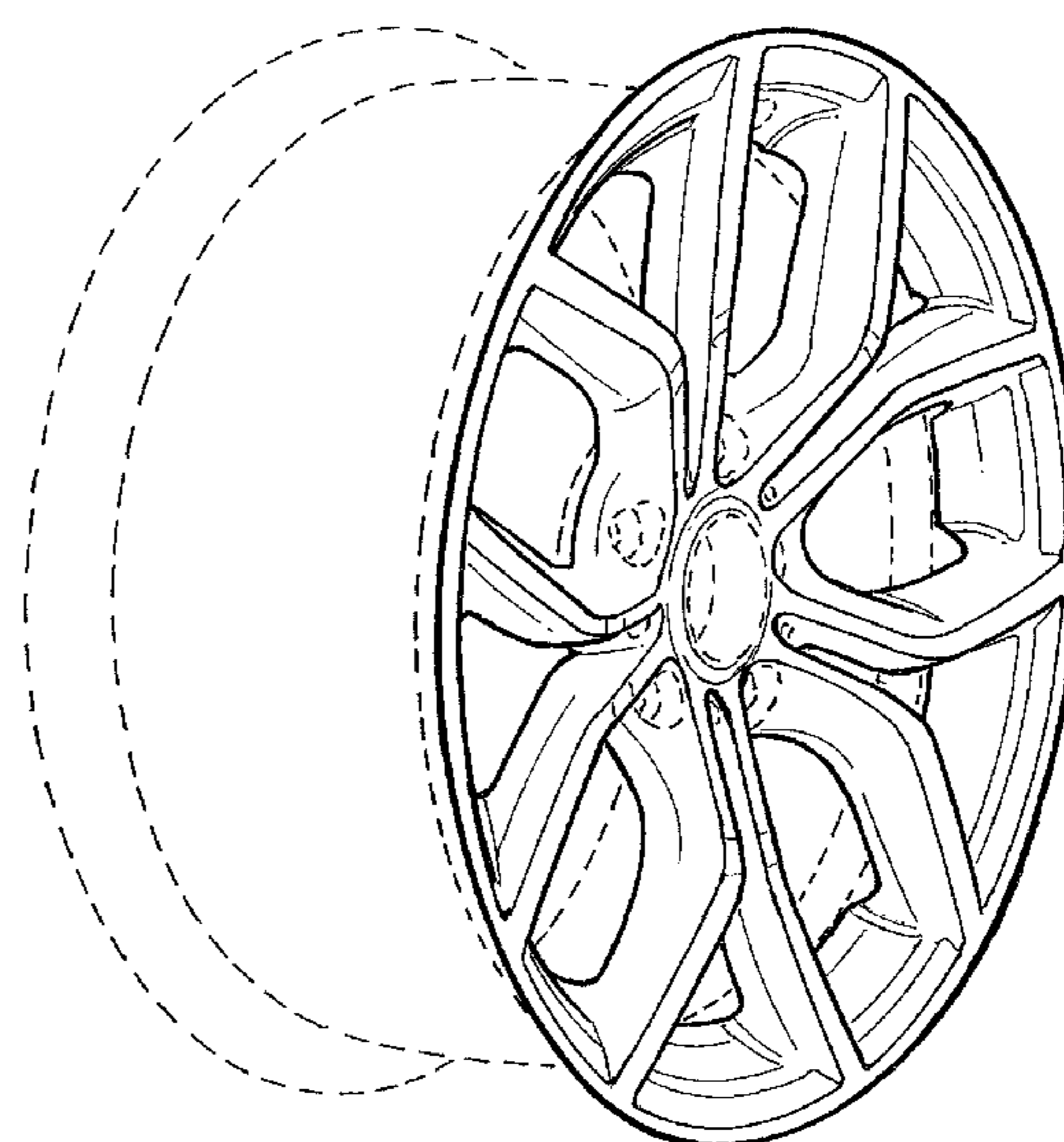
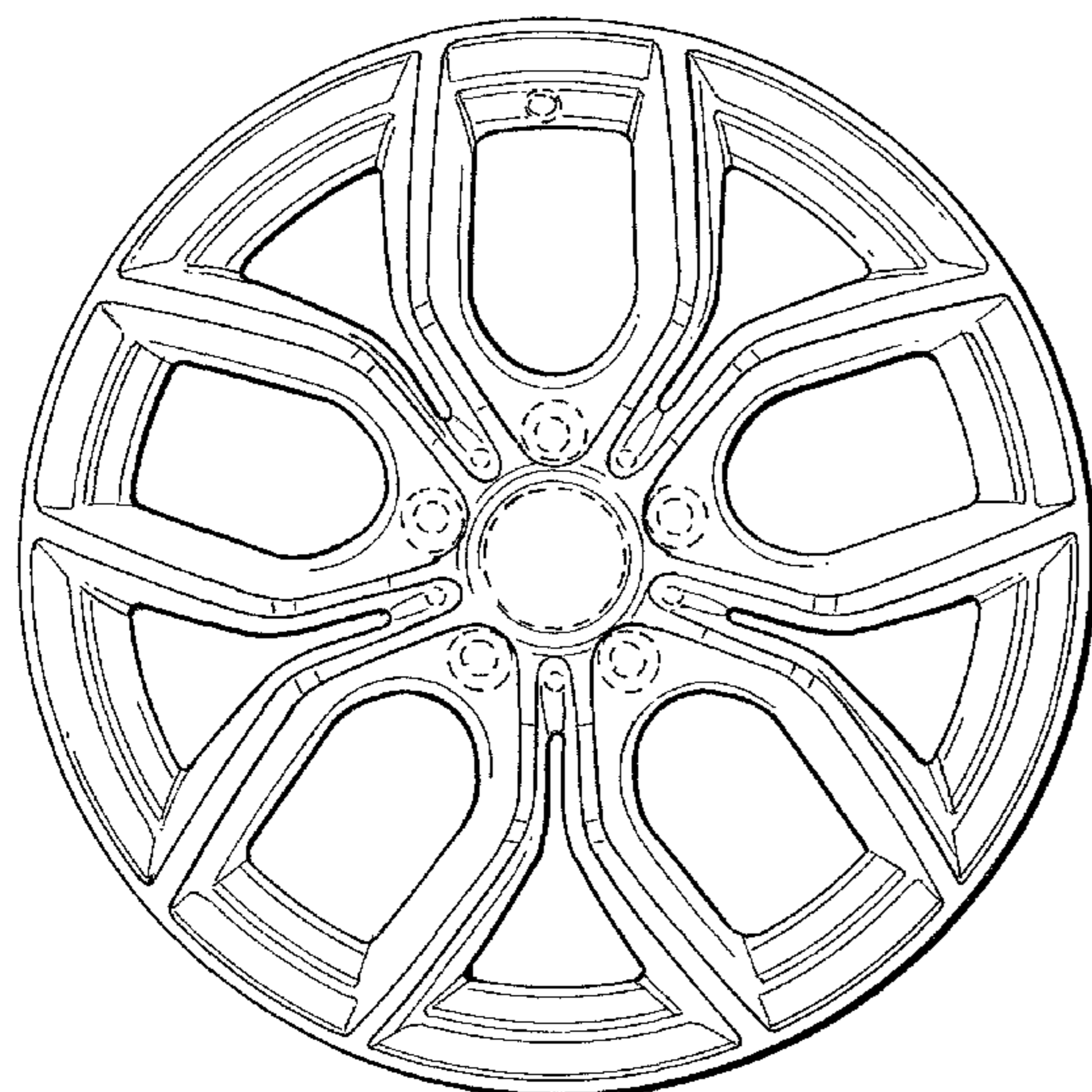
Application Ser. No. 29/355,690, filed Feb. 12, 2010.

FIG. 1 is a front view of a wheel or wheel cover according to my design; and,

FIG. 2 is a perspective view thereof.

The broken line showing of the rear of the rim and the bolt holes and center hole in the central hub area is included for the purpose of illustrating environment and forms no part of the claimed design.

1 Claim, 1 Drawing Sheet



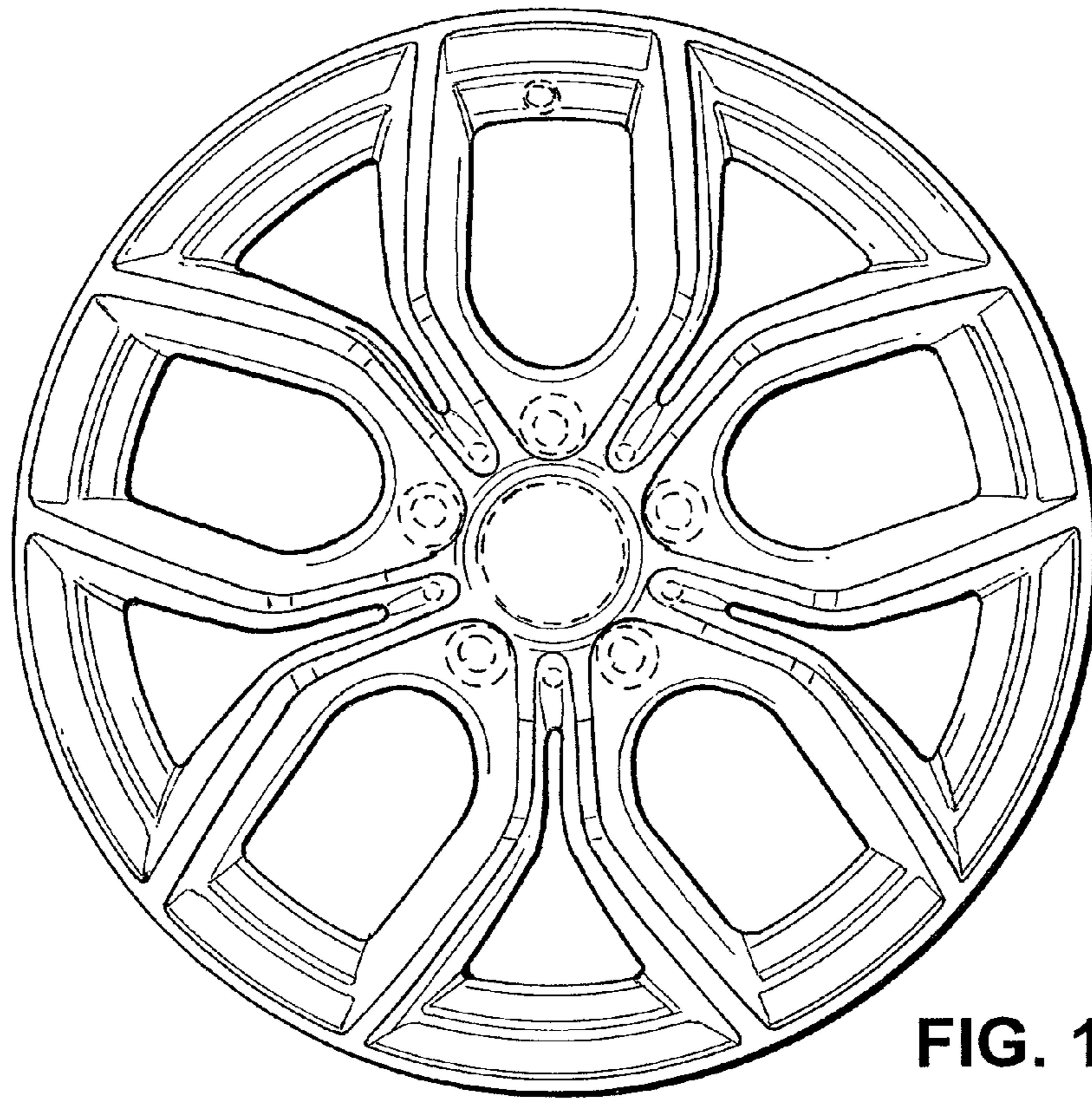


FIG. 1

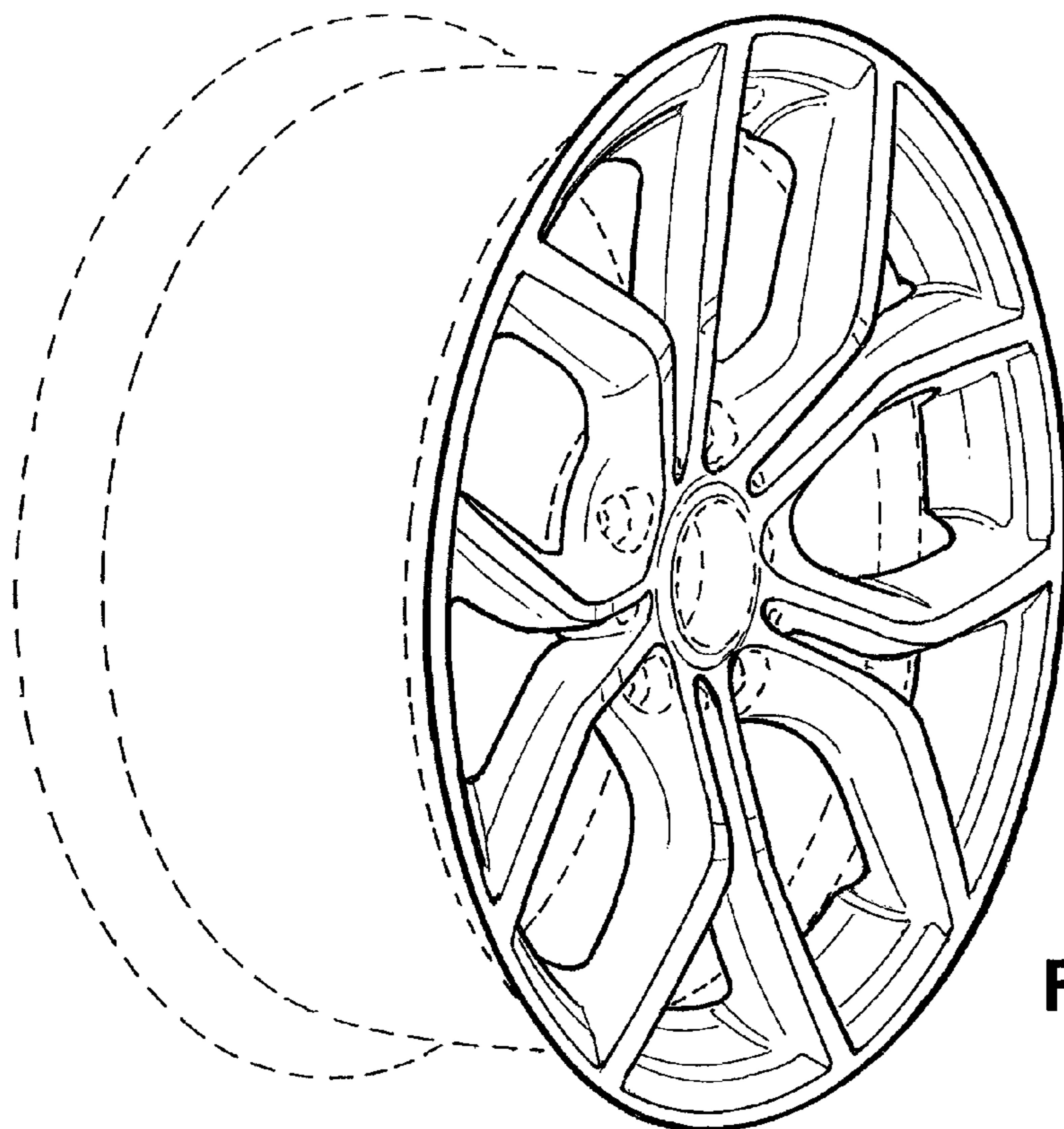


FIG. 2