



US00D626051S

(12) **United States Design Patent**
Fisker et al.

(10) **Patent No.:** **US D626,051 S**
(45) **Date of Patent:** **** Oct. 26, 2010**

(54) **AUTOMOTIVE WHEEL COVER**

(75) Inventors: **Henrik Fisker**, Newport Beach, CA (US); **Mark D. Clarke**, Newport Beach, CA (US); **Nikola Stefanov**, San Clemente, CO (US); **Andrew Leahy**, Laguna Niguel, CA (US)

(73) Assignee: **Fisker Automotive, Inc.**, Irvine, CA (US)

(**) Term: **14 Years**

(21) Appl. No.: **29/355,999**

(22) Filed: **Feb. 18, 2010**

Related U.S. Application Data

(62) Division of application No. 29/330,635, filed on Jan. 12, 2009, now Pat. No. Des. 612,768.

(51) **LOC (9) Cl.** **12-16**

(52) **U.S. Cl.** **D12/209**

(58) **Field of Classification Search** D12/204–213;
301/37.101, 64.101, 65, 64.201
See application file for complete search history.

(56) **References Cited**

U.S. PATENT DOCUMENTS

D389,438 S	1/1998	Guichard	
D390,822 S *	2/1998	Neeper	D12/209
D451,461 S *	12/2001	Arellano	D12/209
D485,524 S *	1/2004	Bhambra	D12/209
D523,788 S	6/2006	Saridakis	

D539,703 S	4/2007	Woodhouse	
D553,053 S	10/2007	McChesney	
D555,042 S	11/2007	Davidson	
D560,585 S *	1/2008	Blasi	D12/209
D563,277 S	3/2008	Thomas	
D583,740 S *	12/2008	Frizzi	D12/209
D585,805 S *	2/2009	Friedrich et al.	D12/209
D586,280 S *	2/2009	Blasi	D12/209
D593,920 S *	6/2009	Juergens et al.	D12/209
D612,788 S *	3/2010	Junker	D12/209

* cited by examiner

Primary Examiner—Stacia Cadmus

(74) *Attorney, Agent, or Firm*—Butzel Long

(57) **CLAIM**

The ornamental design for an automotive wheel cover, as shown and described.

DESCRIPTION

FIG. 1 is a perspective front view of a wheel cover embodiment in accordance with the present invention;

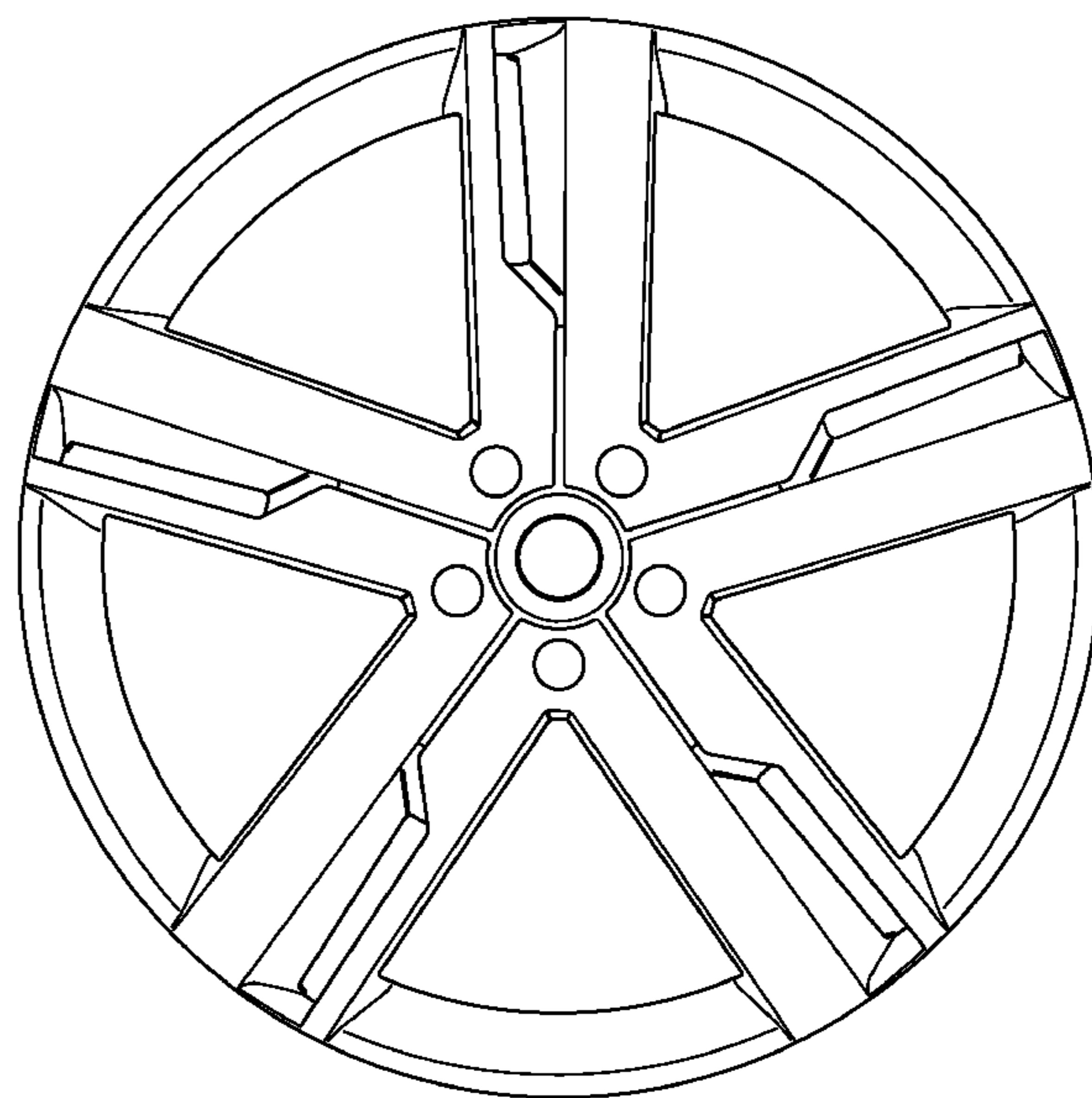
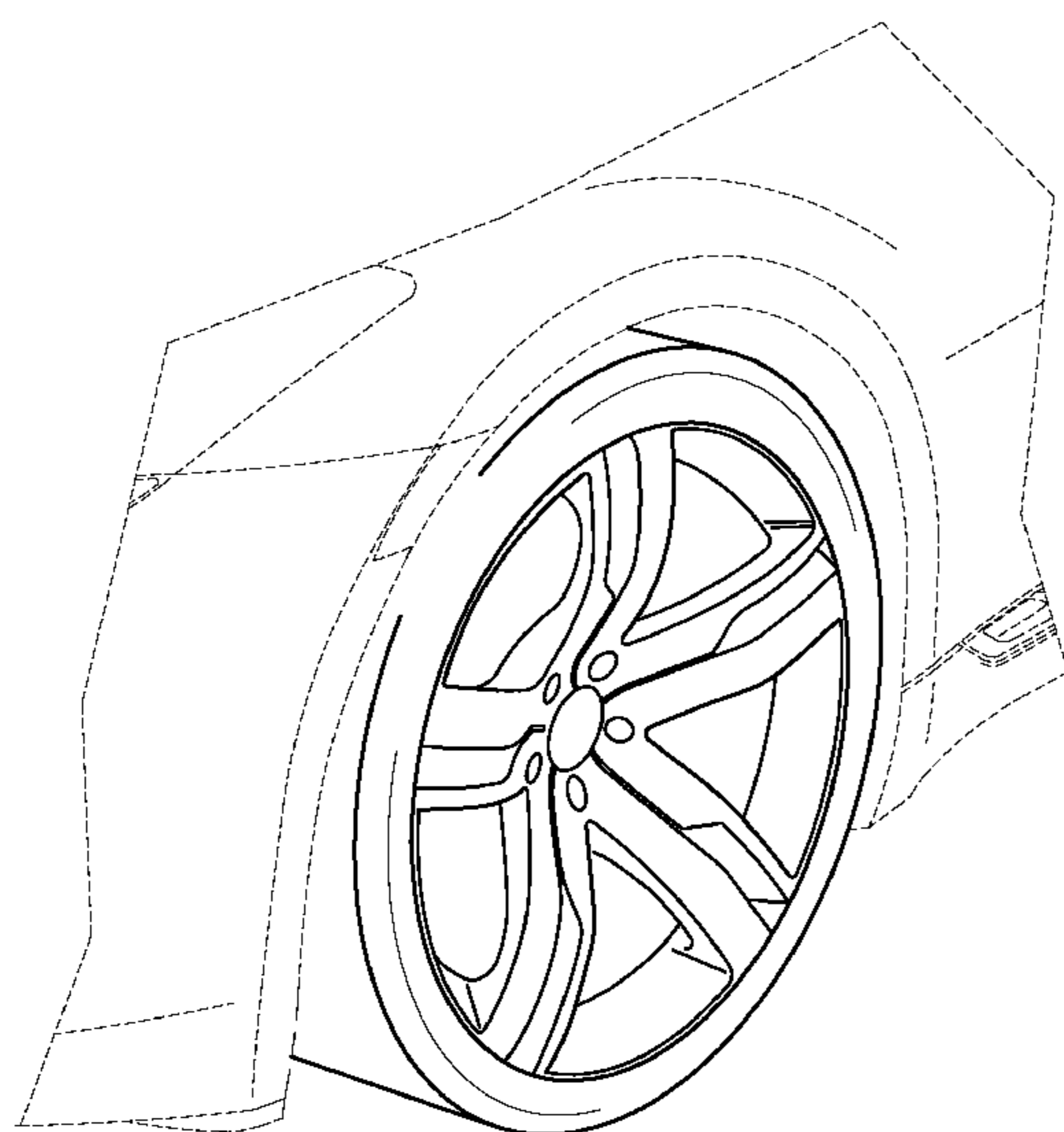
FIG. 2 is a perspective front view of the wheel cover embodiment of FIG. 1; and,

FIG. 3 is a front elevational view of the wheel cover embodiment of FIG. 1.

The broken lines are for illustrative purposes only and form no part of the claimed design.

The automotive wheel cover is shown on an enlarged scale in FIGS. 2 and 3.

1 Claim, 3 Drawing Sheets



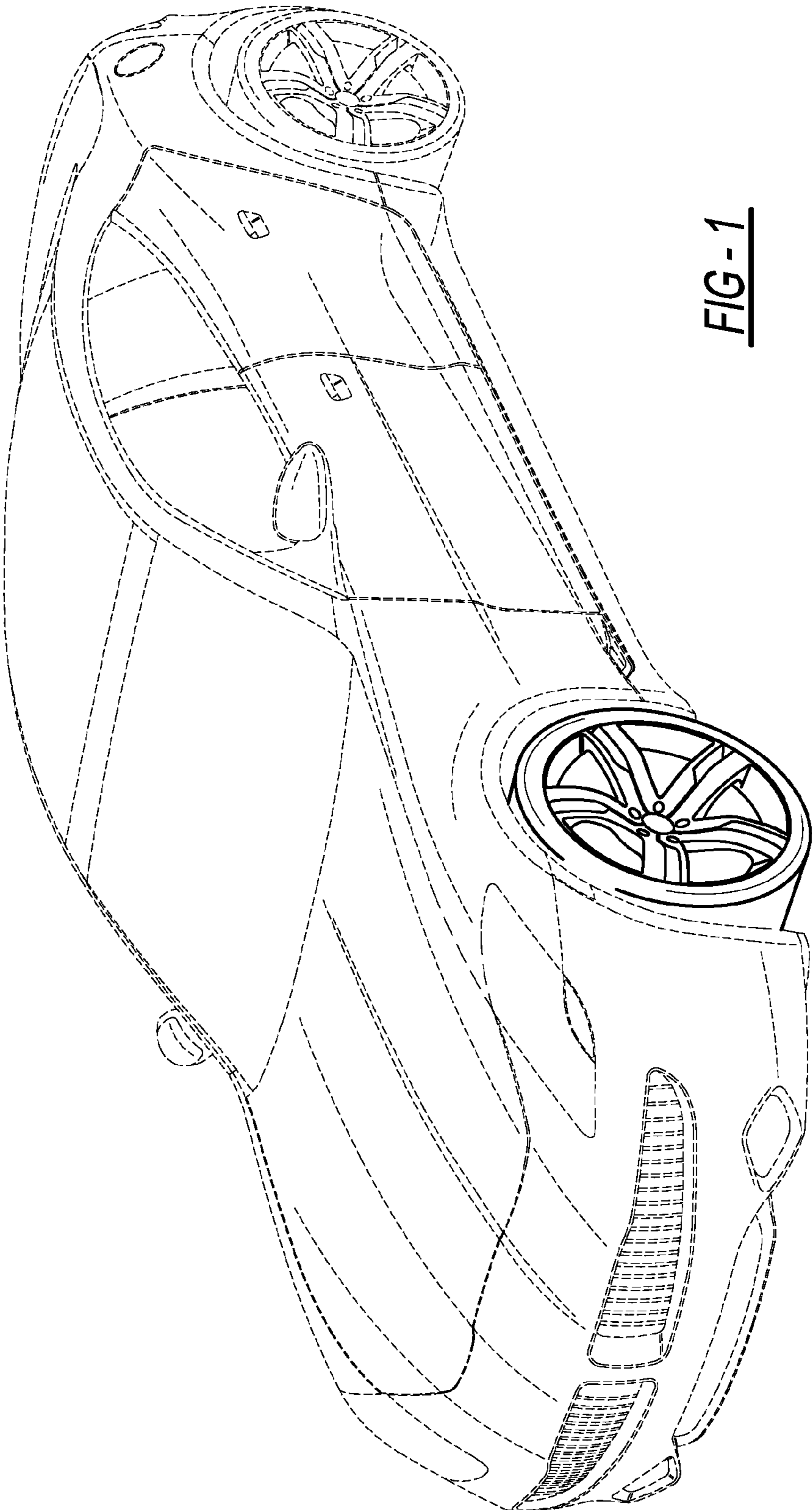


FIG-1

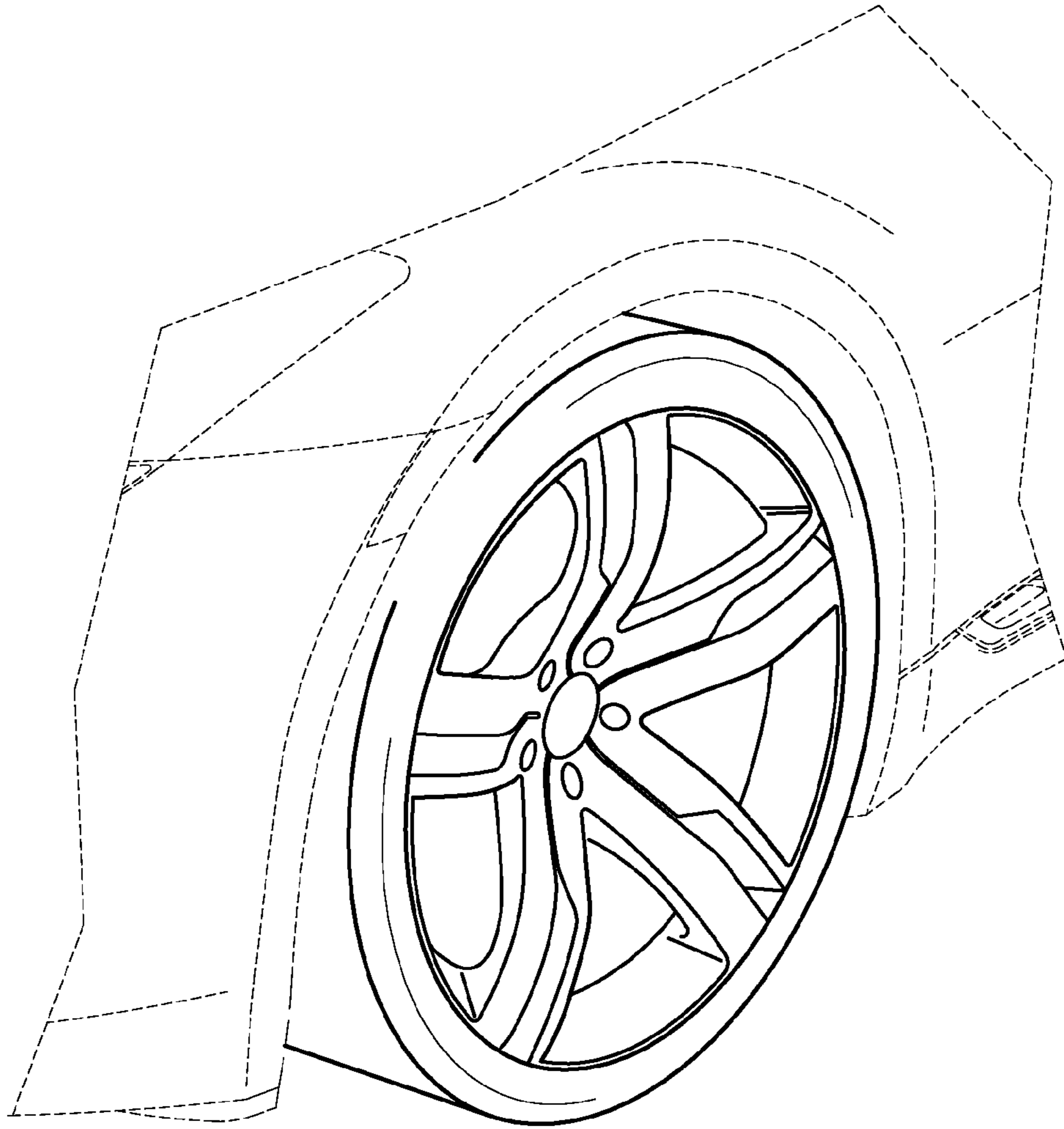


FIG - 2

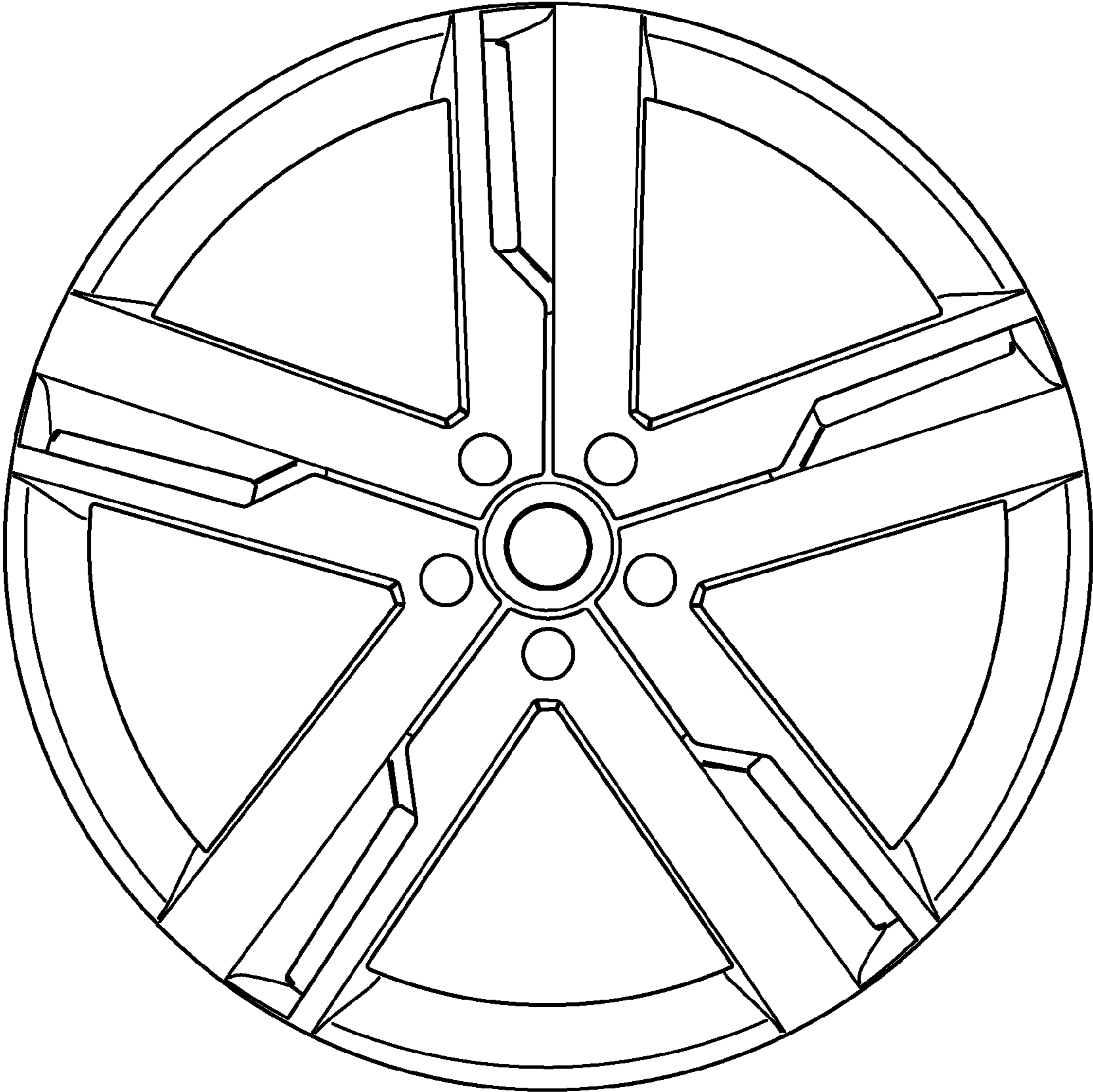


FIG - 3

UNITED STATES PATENT AND TRADEMARK OFFICE
CERTIFICATE OF CORRECTION

PATENT NO. : D626,051 S
APPLICATION NO. : 29/355999
DATED : October 26, 2010
INVENTOR(S) : Henrik Fisker et al.

Page 1 of 5

It is certified that error appears in the above-identified patent and that said Letters Patent is hereby corrected as shown below:

The Title Page, showing an illustrative figure, should be deleted and substitute therefor the attached title page.

Delete Drawing Sheets 1-3, and substitute therefor the Drawing Sheets, consisting of FIGS. 1-3, as shown on the attached pages.

Signed and Sealed this
Twenty-second Day of March, 2011

A handwritten signature in black ink that reads "David J. Kappos". The signature is written in a cursive, slightly slanted style.

David J. Kappos
Director of the United States Patent and Trademark Office

(12) **United States Design Patent** (10) **Patent No.:** **US D626,051 S**
Fisker et al. (45) **Date of Patent:** **** Oct. 26, 2010**

(54) **AUTOMOTIVE WHEEL COVER**

(75) Inventors: **Henrik Fisker**, Newport Beach, CA (US); **Mark D. Clarke**, Newport Beach, CA (US); **Nikola Stefanov**, San Clemente, CO (US); **Andrew Leahy**, Laguna Niguel, CA (US)

(73) Assignee: **Fisker Automotive, Inc.**, Irvine, CA (US)

(**) Term: **14 Years**

(21) Appl. No.: **29/355,999**

(22) Filed: **Feb. 18, 2010**

Related U.S. Application Data

(62) Division of application No. 29/330,635, filed on Jan. 12, 2009, now Pat. No. Des. 612,768.

(51) LOC (9) Cl. **12-16**

(52) U.S. Cl. **D12/209**

(58) Field of Classification Search **D12/204-213;**
301/37.101, 64.101, 65, 64.201
 See application file for complete search history.

(56) **References Cited**

U.S. PATENT DOCUMENTS

D389,438 S	1/1998	Guichard	
D390,822 S *	2/1998	Neeper	D12/209
D451,461 S *	12/2001	Arellano	D12/209
D485,524 S *	1/2004	Bhambra	D12/209
D523,788 S	6/2006	Saridakis	

D539,703 S	4/2007	Woodhouse	
D553,053 S	10/2007	McChesney	
D555,042 S	11/2007	Davidson	
D560,585 S *	1/2008	Blasi	D12/209
D563,277 S	3/2008	Thomas	
D583,740 S *	12/2008	Frizzi	D12/209
D585,805 S *	2/2009	Friedrich et al.	D12/209
D586,280 S *	2/2009	Blasi	D12/209
D593,920 S *	6/2009	Juergens et al.	D12/209
D612,788 S *	3/2010	Junker	D12/209

* cited by examiner

Primary Examiner—**Stacia Cadmus**

(74) Attorney, Agent, or Firm—**Butzel Long**

(57) **CLAIM**

The ornamental design for an automotive wheel cover, as shown and described.

DESCRIPTION

FIG. 1 is a perspective front view of a wheel cover embodiment in accordance with the present invention;

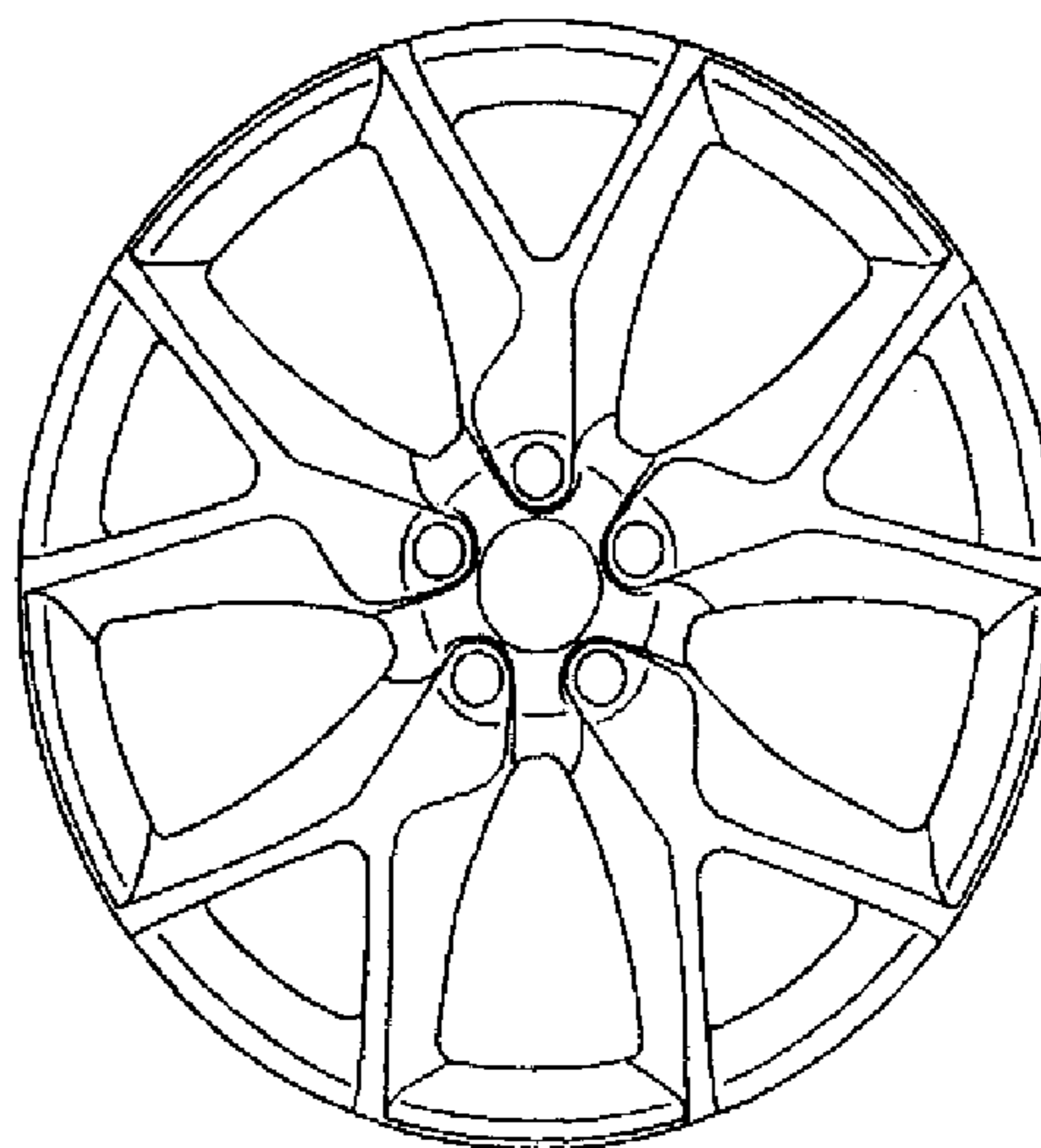
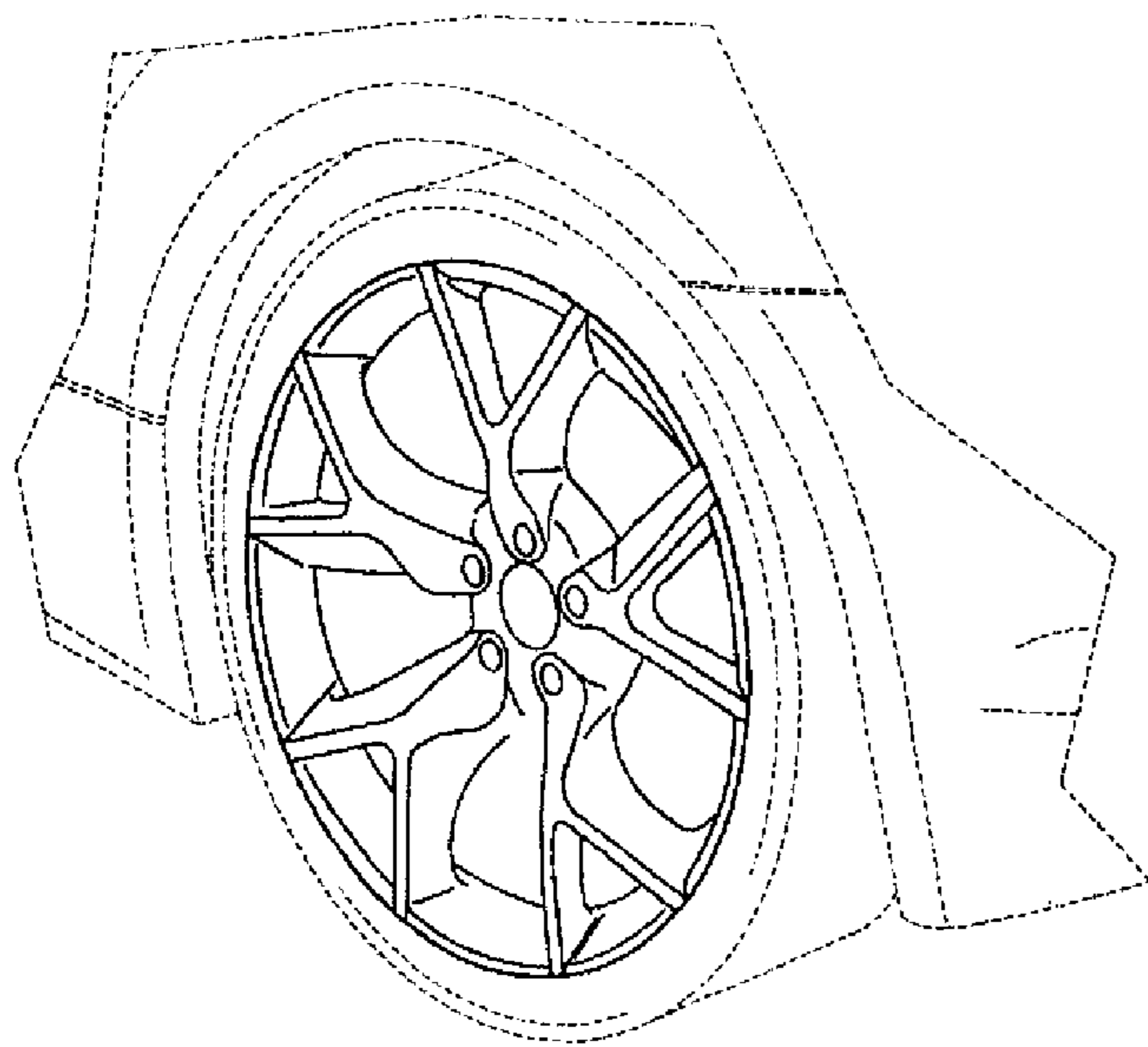
FIG. 2 is a perspective front view of the wheel cover embodiment of FIG. 1; and,

FIG. 3 is a front elevational view of the wheel cover embodiment of FIG. 1.

The broken lines are for illustrative purposes only and form no part of the claimed design.

The automotive wheel cover is shown on an enlarged scale in FIGS. 2 and 3.

1 Claim, 3 Drawing Sheets



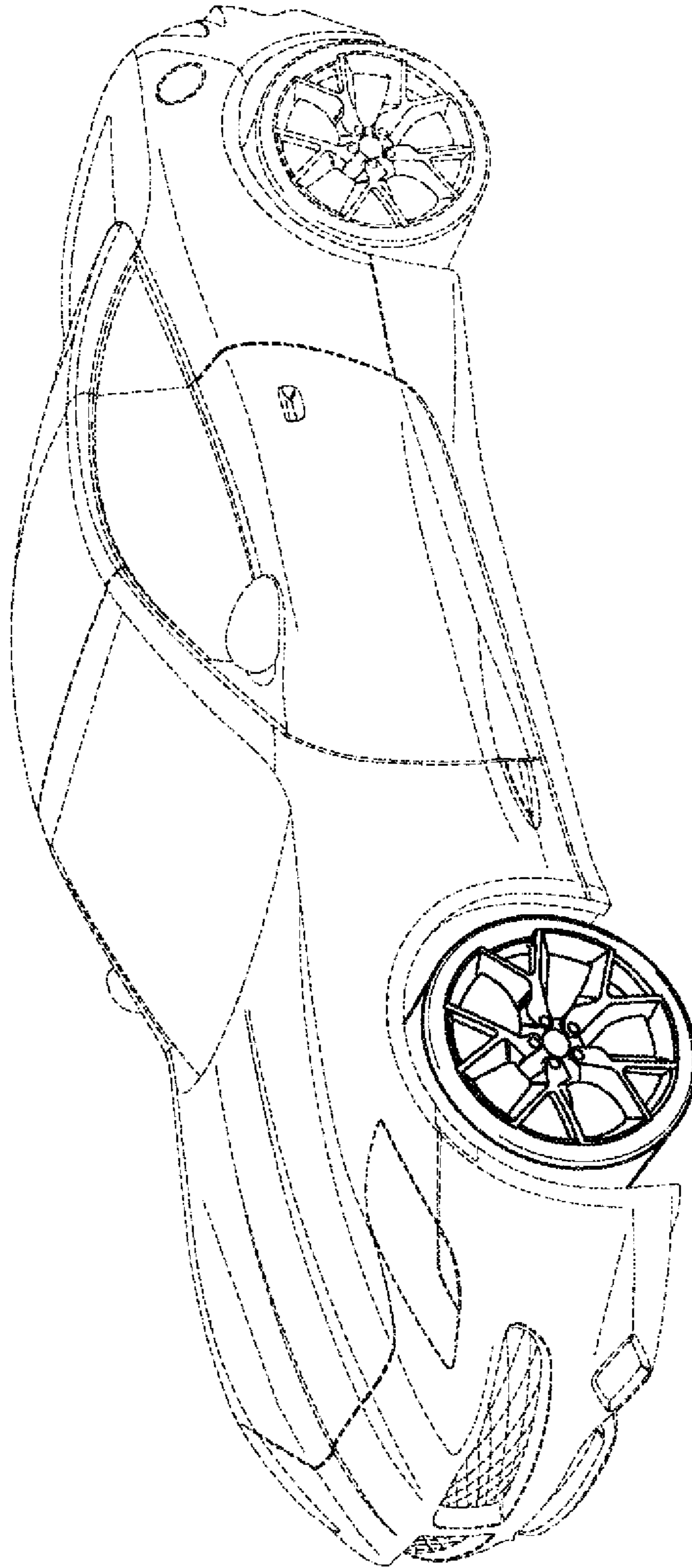


FIG - 1

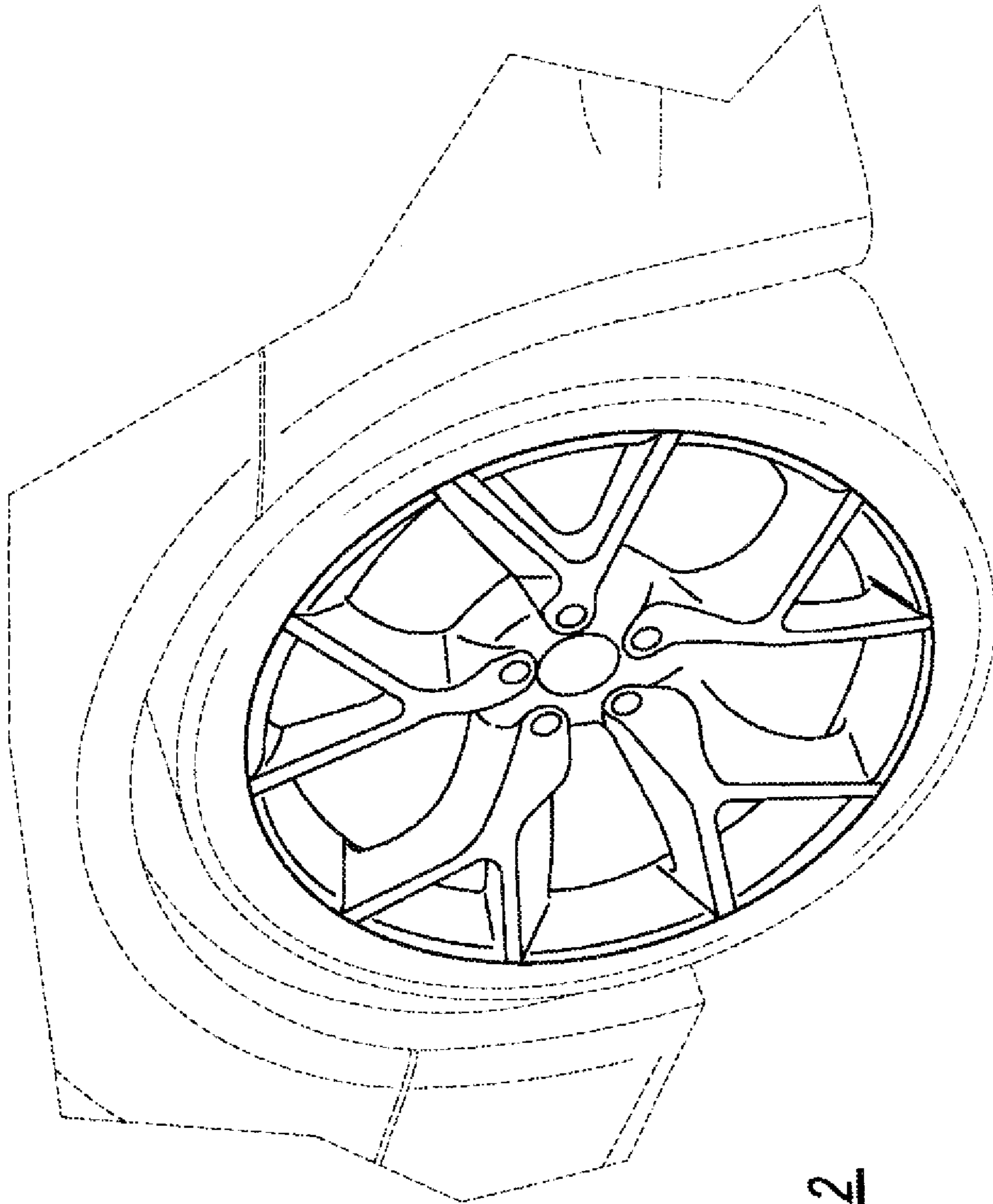


FIG-2

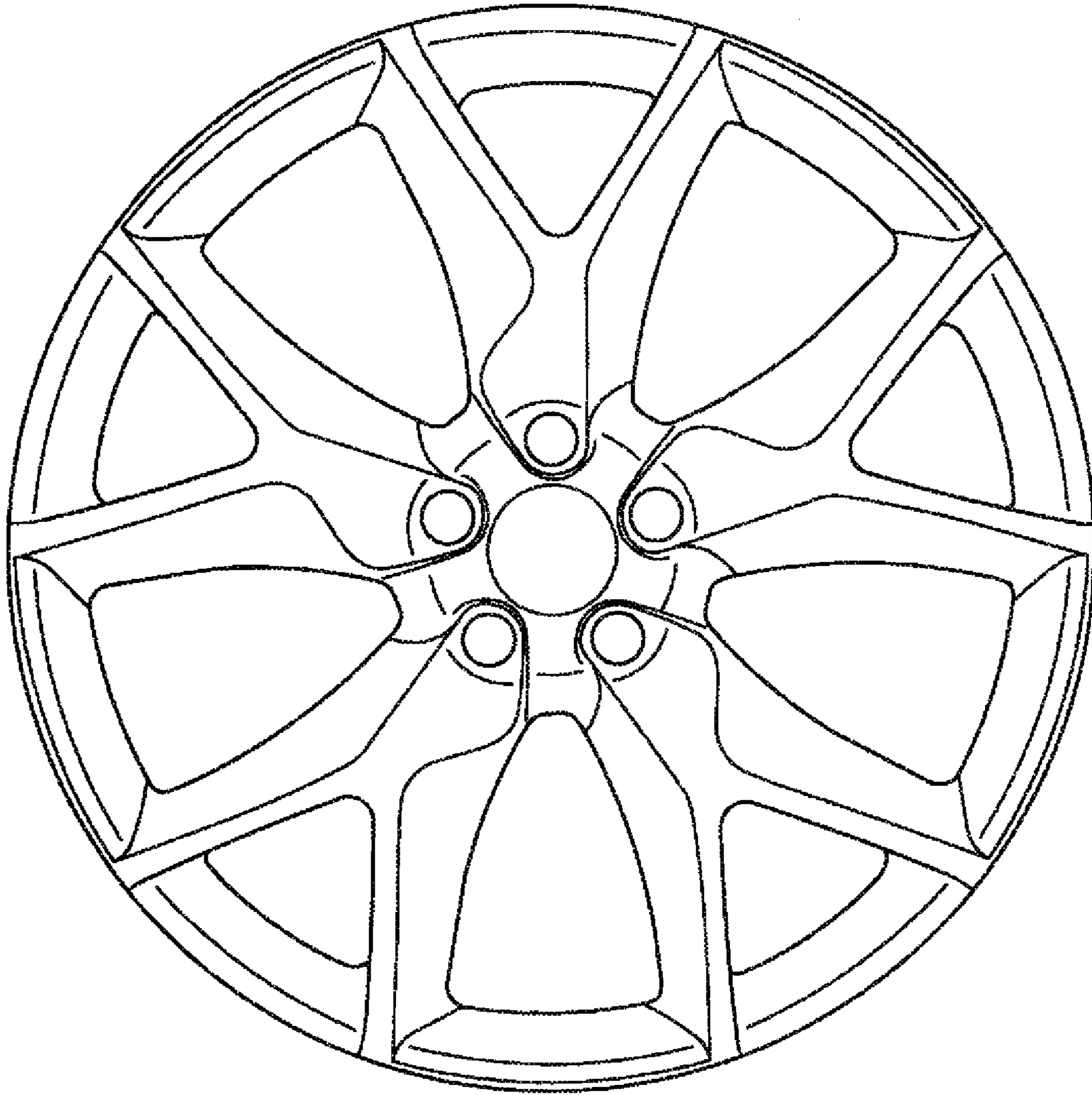


FIG - 3